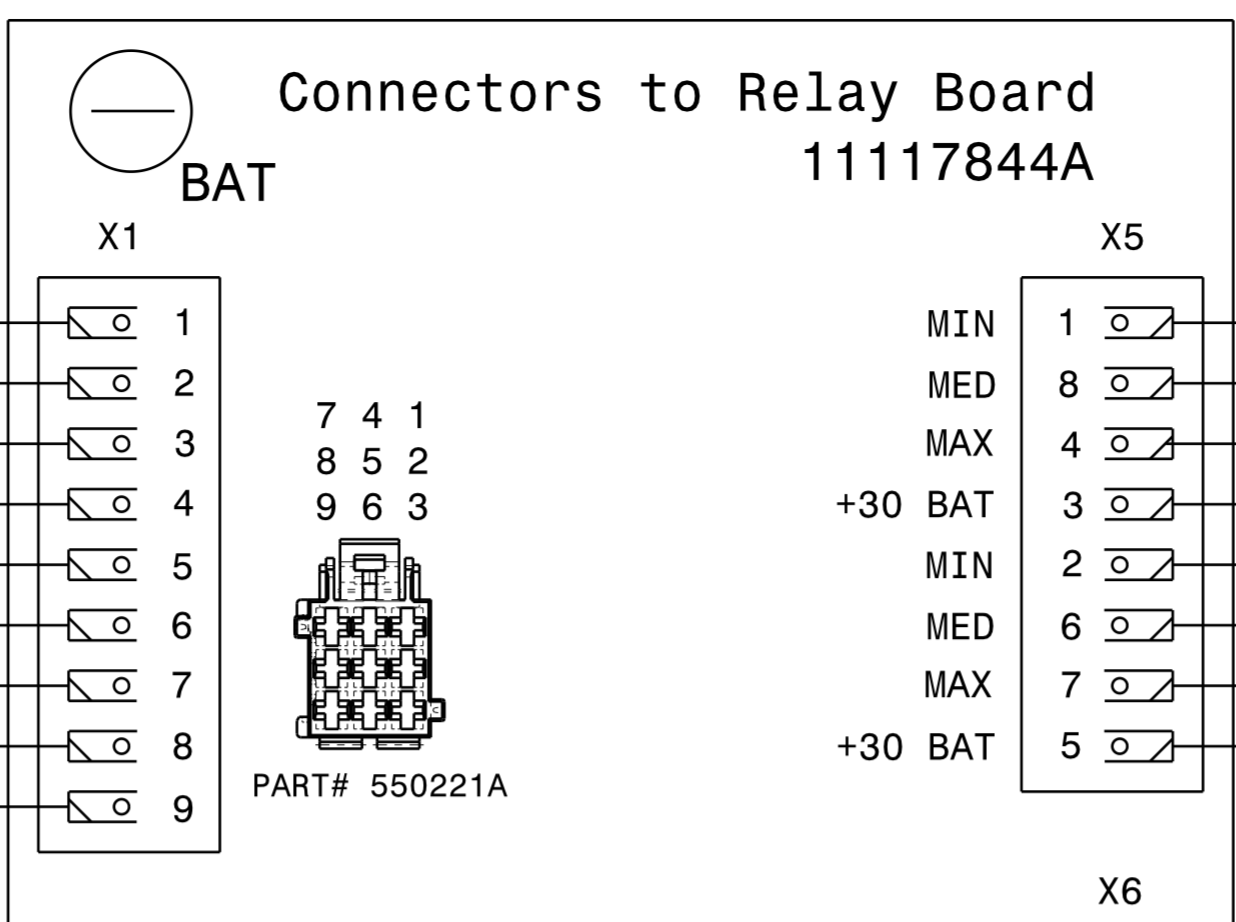
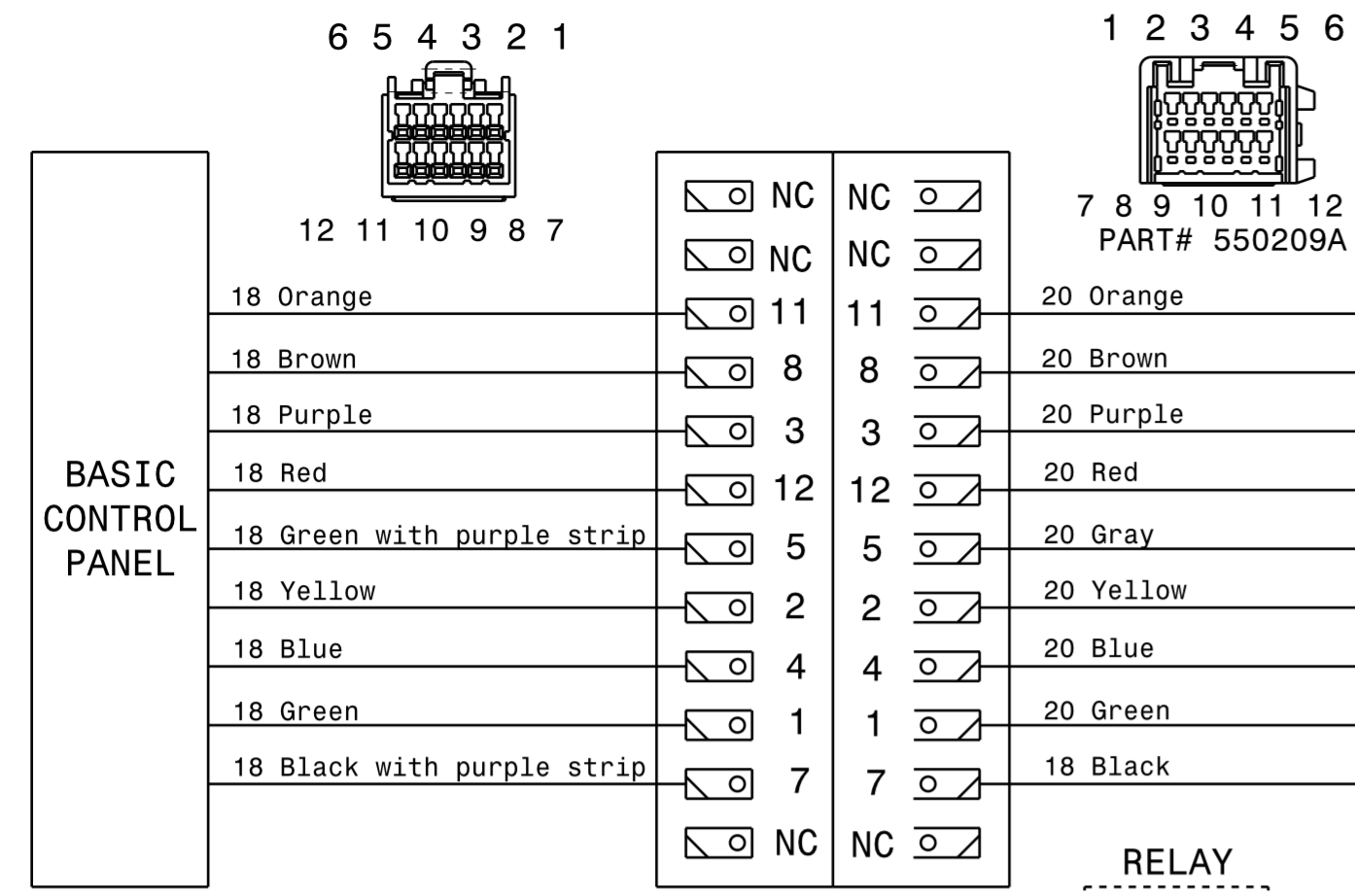
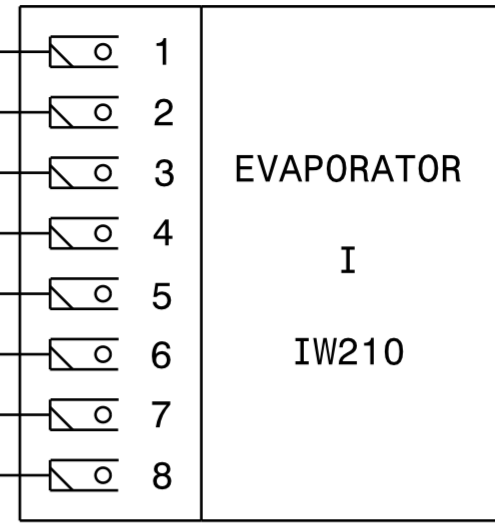


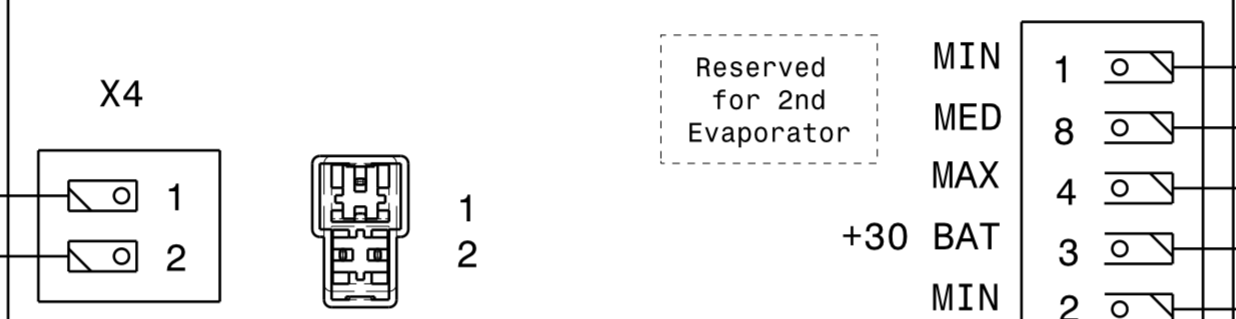
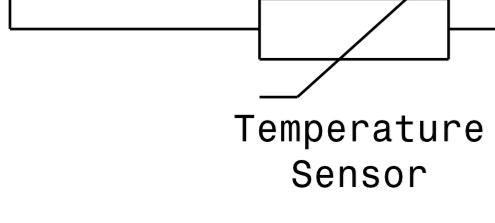
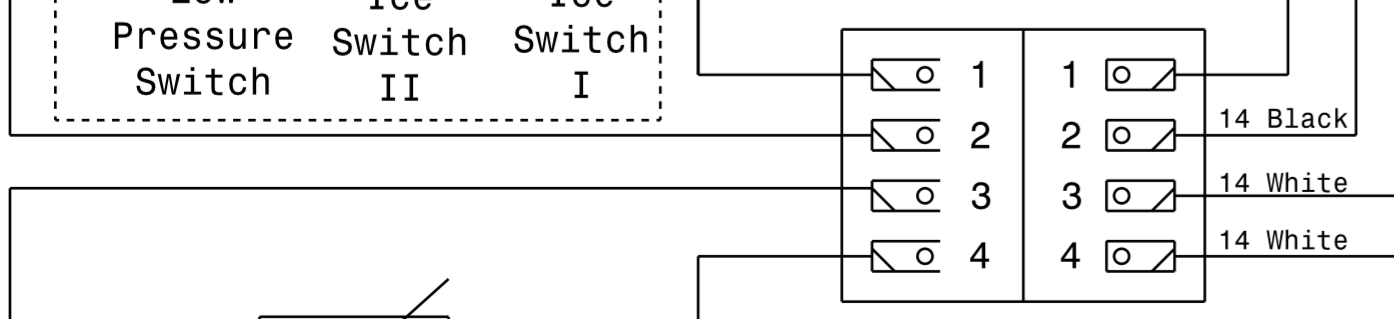
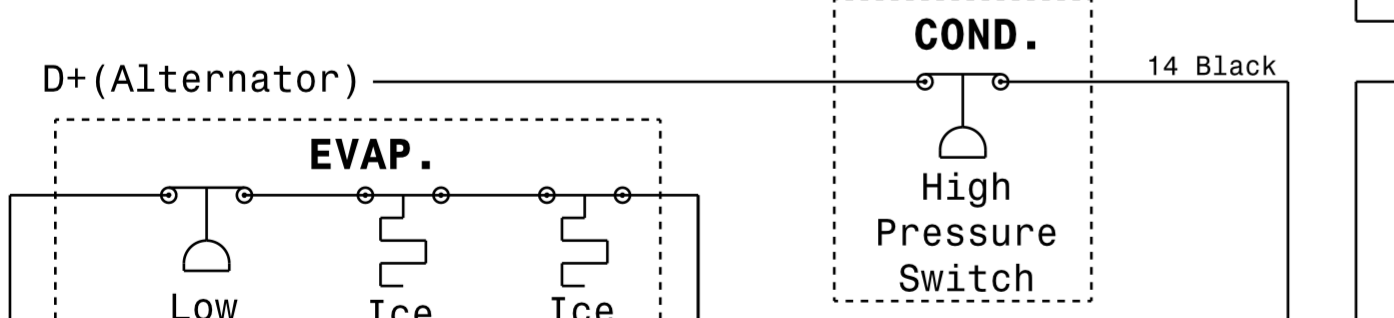
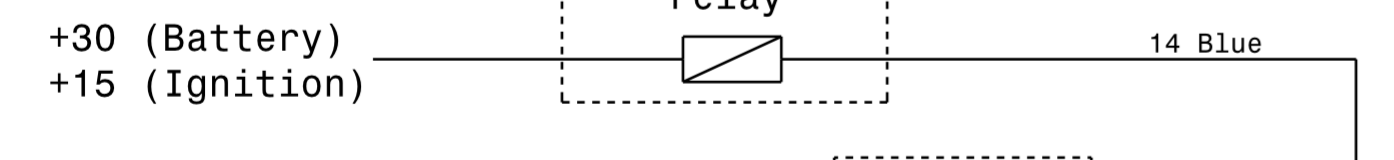
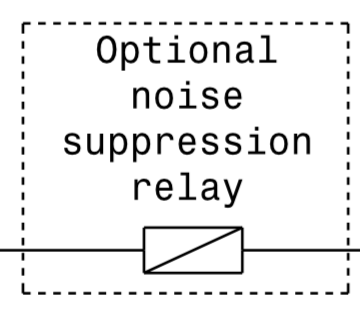
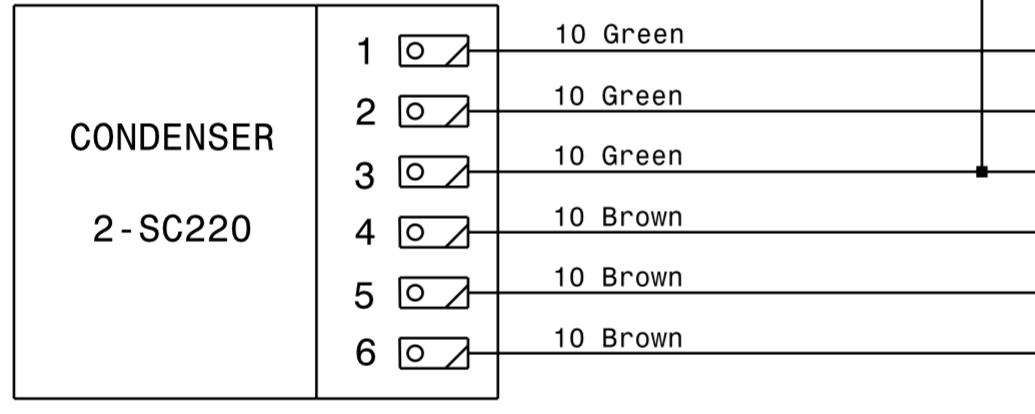
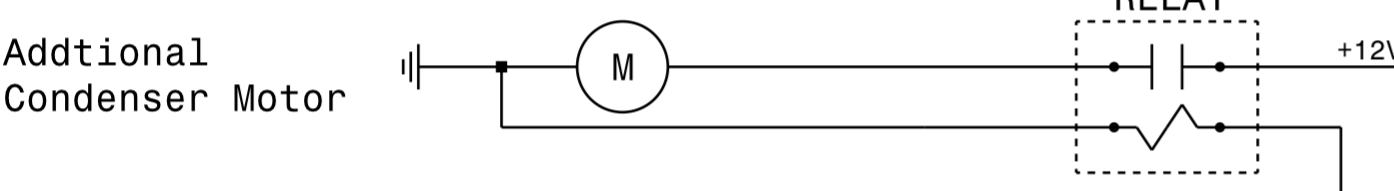
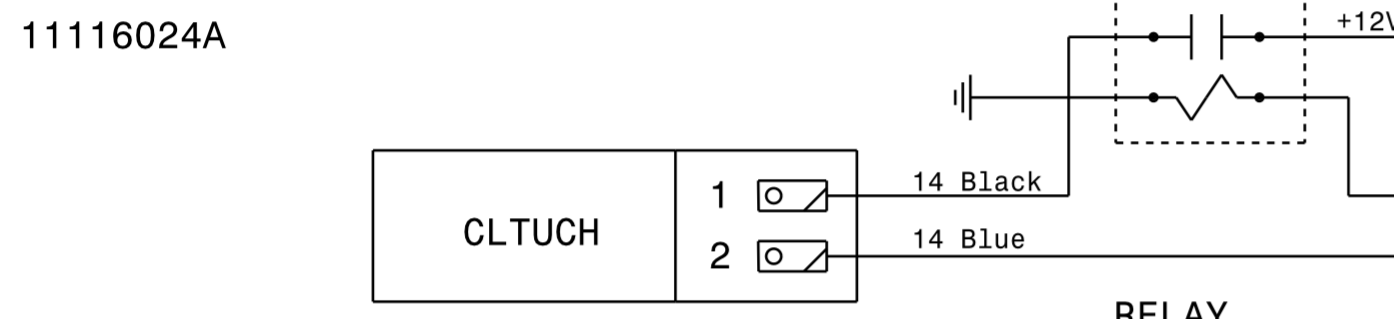
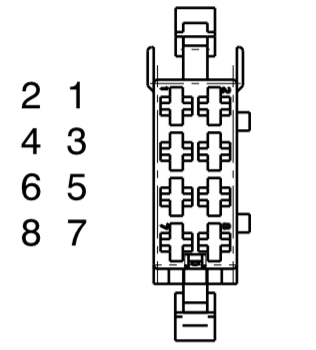
CL1	CL2	QTY	NUMBER	CHANGE	DD. MM. YY	DRAW	CHECK



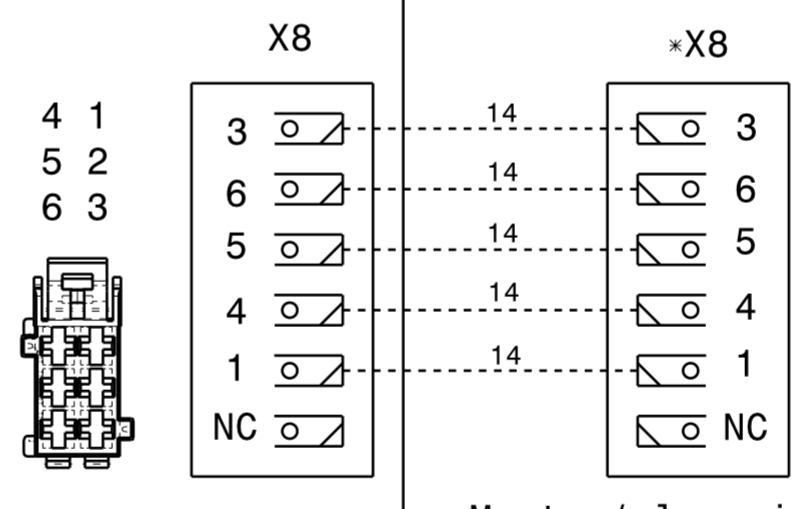
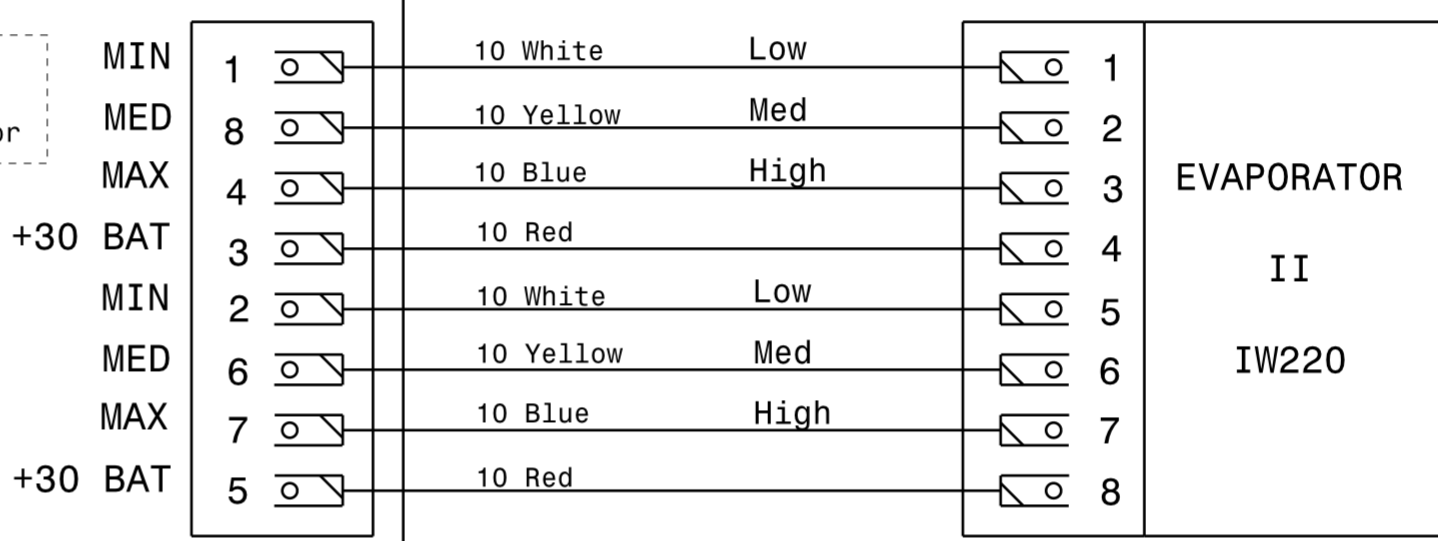
Note:
Colors indicate
motor speeds



Connectors
X5, X6, X7



Reserved
for 2nd
Evaporator



* Master/slave interface for
single control dual loop system
PART# 550356A

REF./POS. DIM		INFORMATION DIM		NOT SCALED DIM	
PERMISSIBLE DEVIATION FOR DIM WITHOUT TOLERANCES			VOLTAGE	WEIGHT	CAD SYSTEM
ANSI			12		CATIA V5R19
MATERIAL					
SURFACE PROTECTION					
PART NAME					
ARCTICSPIHERE SPLIT SYSTEM (DUAL EVAPORATOR, CONDENSERS, SINGLE COMPRESSOR)					
DATE	23.04.13	23.04.13	SCALE	DOC NO.	PART NO.
NAME	JOEYL	JIMW	FREE		
DRAW	CHECK	APP		STATUS	
SPHEROS				SIZE	ISO A2
REPLACED BY PART-NO.			REPLACEMENT FOR PART-NO.		PAGE 1 / 1

20000002A