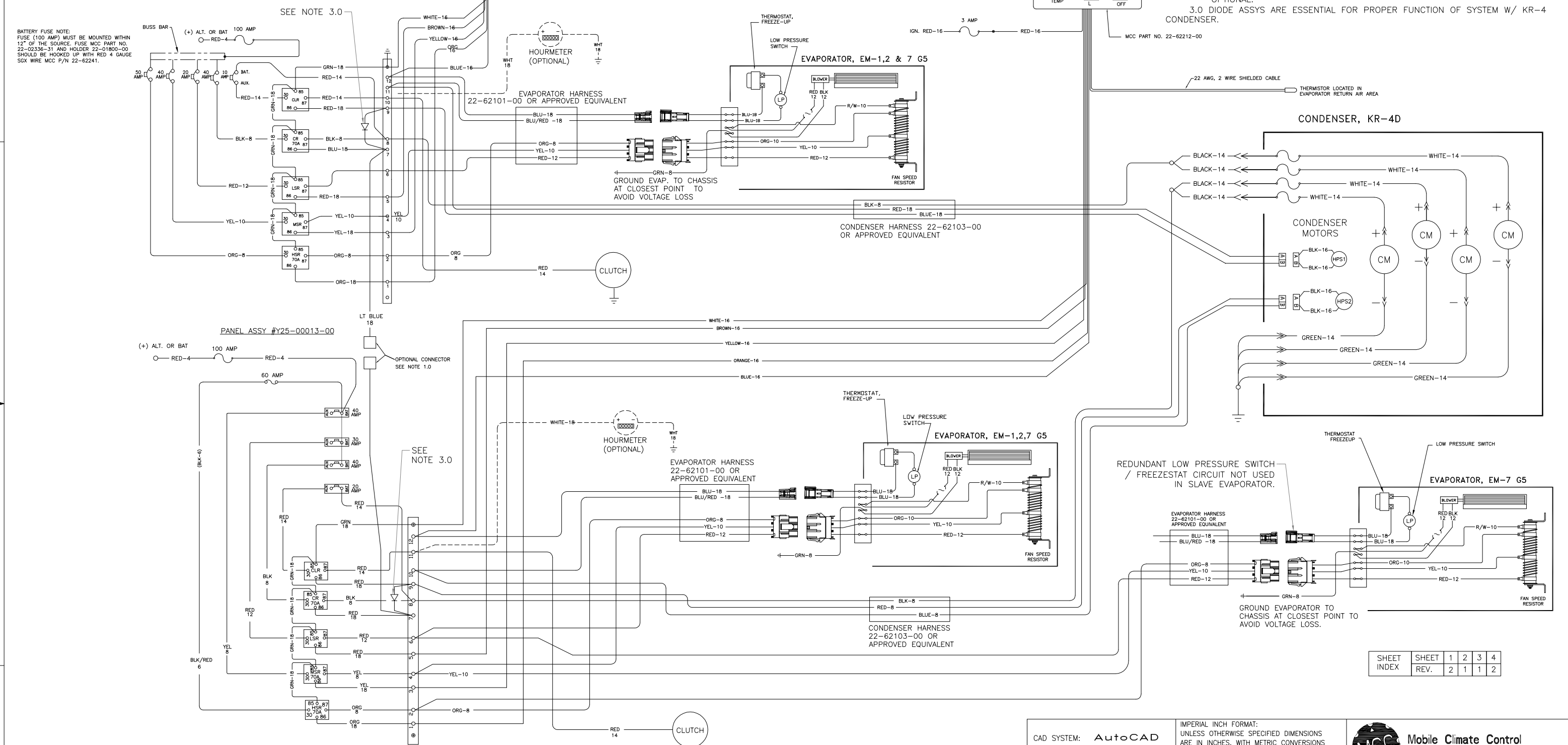
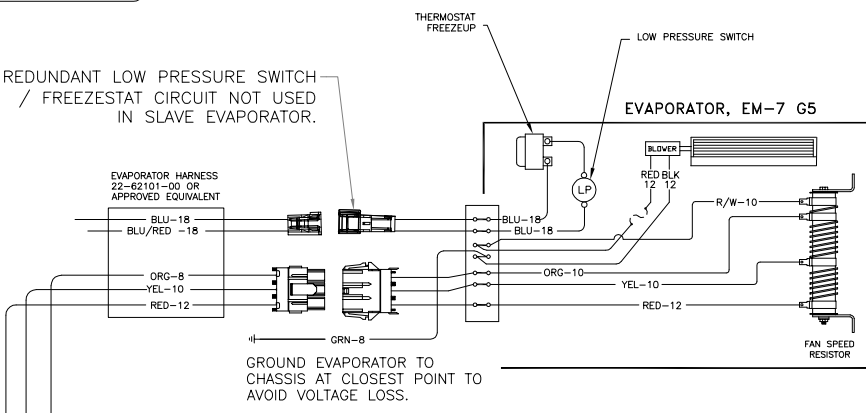
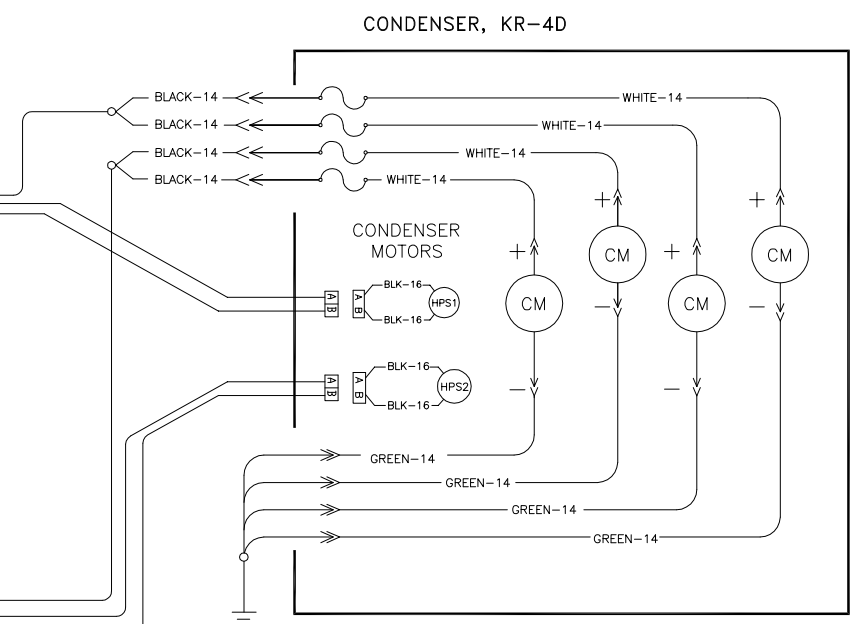
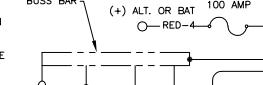


PART NUMBER CHART		
PART/SHEET NUMBER	APPLICATION DESCRIPTION	DWG SHEET
Y66-00010-S1	(3)EM G5 KR-4 W/ TEMPCON CONTROLS	1
Y66-00010-S2	(3)EM G5 KR-4 W/ 3 SPEED CONTROLS	2
Y66-00010-S3	(2)EM G5 KR-4 W/ 3 SPEED CONTROLS	3
Y66-00010-S4	(2)EM EM-1 / EM-3 G5 KR-4 W/ 3 SPEED CONTROLS	4

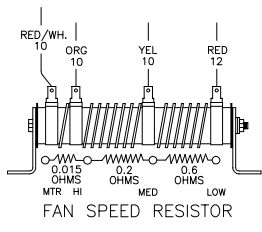


- NOTES:
- 1.0 THE CONNECTION OF LT. BLUE-18 WIRE FROM TERMINAL POST NO.7 ON PANEL ASSEMBLY, MCC PART NO. Y25-00012-00 TO TERMINAL POST NO.7 ON PANEL ASSEMBLY, MCC PART NO. Y25-00013-00 IS MANDATORY; THE CONNECTOR IS OPTIONAL.
  - 2.0 THE CONNECTION OF LT. BLUE-18 WIRE FROM TERMINAL POST NO.7 ON PANEL ASSEMBLY, MCC PART NO. Y25-00012-00 TO TERMINAL POST NO.7 ON PANEL ASSEMBLY, MCC PART NO. Y25-00012-00 IS MANDATORY; THE CONNECTOR IS OPTIONAL.
  - 3.0 DIODE ASSYS ARE ESSENTIAL FOR PROPER FUNCTION OF SYSTEM W/ KR-4 CONDENSER.

BATTERY FUSE NOTE:  
FUSE (100 AMP) MUST BE MOUNTED WITHIN 12" OF THE SOURCE. FUSE MCC PART NO. 22-02336-31 AND HOLDER 22-01800-00 SHOULD BE HOOKED UP WITH RED 4 GAUGE SGX WIRE MCC P/N 22-62241.



SHEET INDEX	SHEET 1	SHEET 2	SHEET 3	SHEET 4
REV.	2	1	1	2



SYM	REVISION RECORD	DATE	BY	ENGR.	M.E.	NPCA NO.
2	ADD PART / APPLICATION CHART ADD SHIT 4 TO SHT INDEX	MAR 11, 2014	TDL	KMS		ECN-8471
1	INITIAL RELEASE	JUL 16, 2012	L&T	SB		ECN0035Y12

CAD SYSTEM: AutoCAD	IMPERIAL INCH FORMAT: UNLESS OTHERWISE SPECIFIED DIMENSIONS ARE IN INCHES, WITH METRIC CONVERSIONS IN [MILLIMETERS].
THIRD ANGLE PROJECTION	UNLESS OTHERWISE SPECIFIED TOLERANCES ON: .00 DEC .000 DEC DEC ANG ± .04 ± .020 ± ± 2' [.0]DEC [00]DEC DEC ±[1.0] ±[50] ± [ ]
MATERIAL	SURFACES HOLE DIA. HOLE SPACING HOLE LOC ✓ AA ± .005 ± .015 ± .03 ±[.13] ±[.38] ±[.8]
DIMENSIONS IN (PARENTHESIS) ARE FOR INFORMATION ONLY. TOLERANCES DO NOT APPLY.	

**MCC Mobile Climate Control**  
3189 Farmrail Rd  
York, PA 17406

THIS DOCUMENT AND THE INFORMATION CONTAINED THEREIN IS PROPRIETARY TO MOBILE CLIMATE CONTROL AND SHALL NOT BE USED OR DISCLOSED TO OTHERS, IN WHOLE OR IN PART, WITHOUT THE WRITTEN AUTHORIZATION OF MOBILE CLIMATE CONTROL.

TITLE: **WIRE DIAGRAM**  
(3) EM W/KR4 TEMPCON CTRL

SIZE: D DRAWING NO: Y66-00010 SHEET 1 OF 4 REV: 2

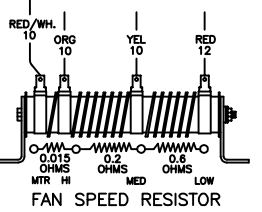
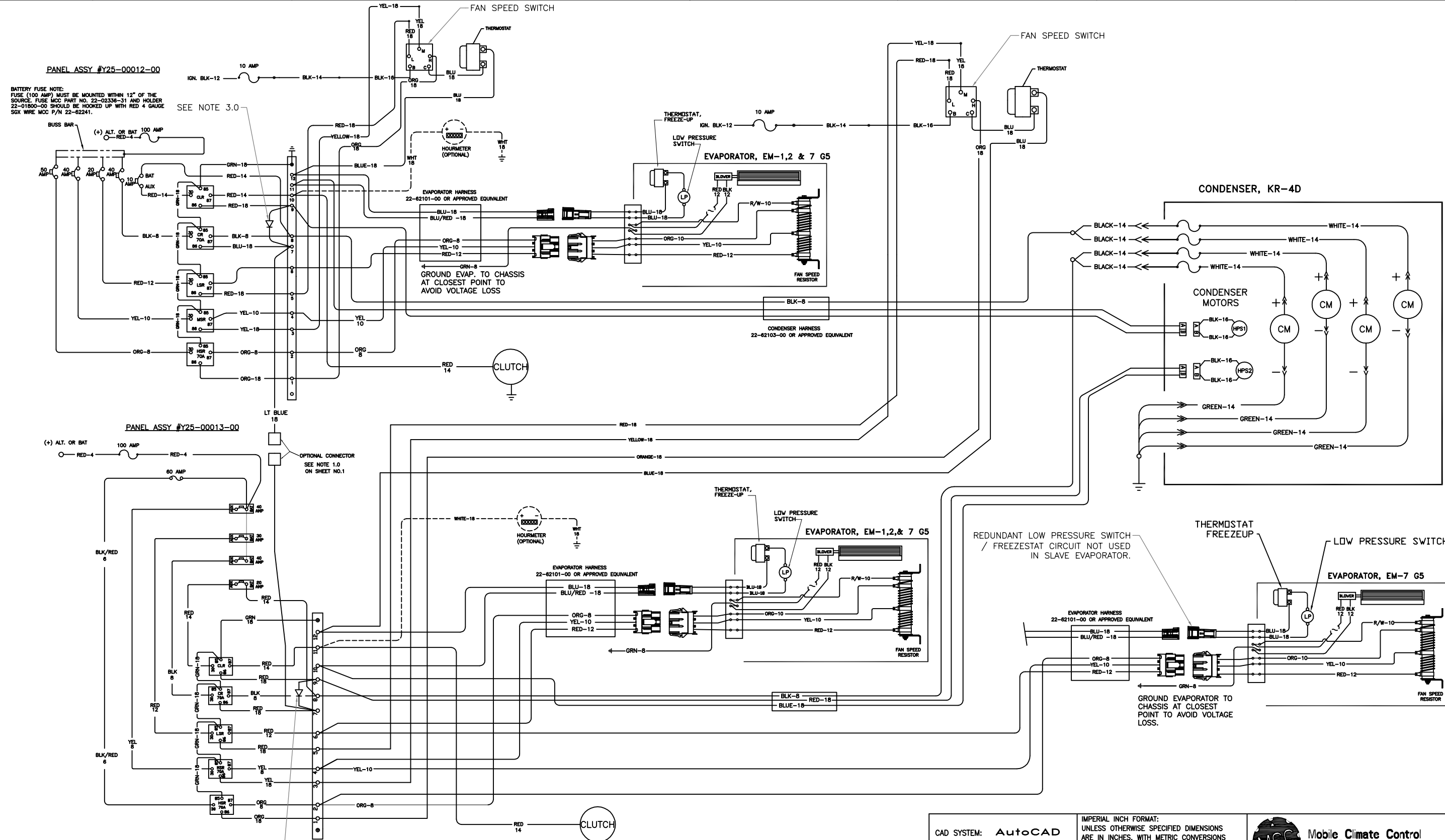
NEXT DRAWING: NONE SCALE: 1:2

D

C

B

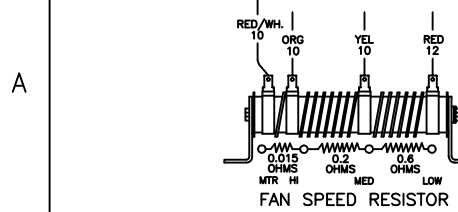
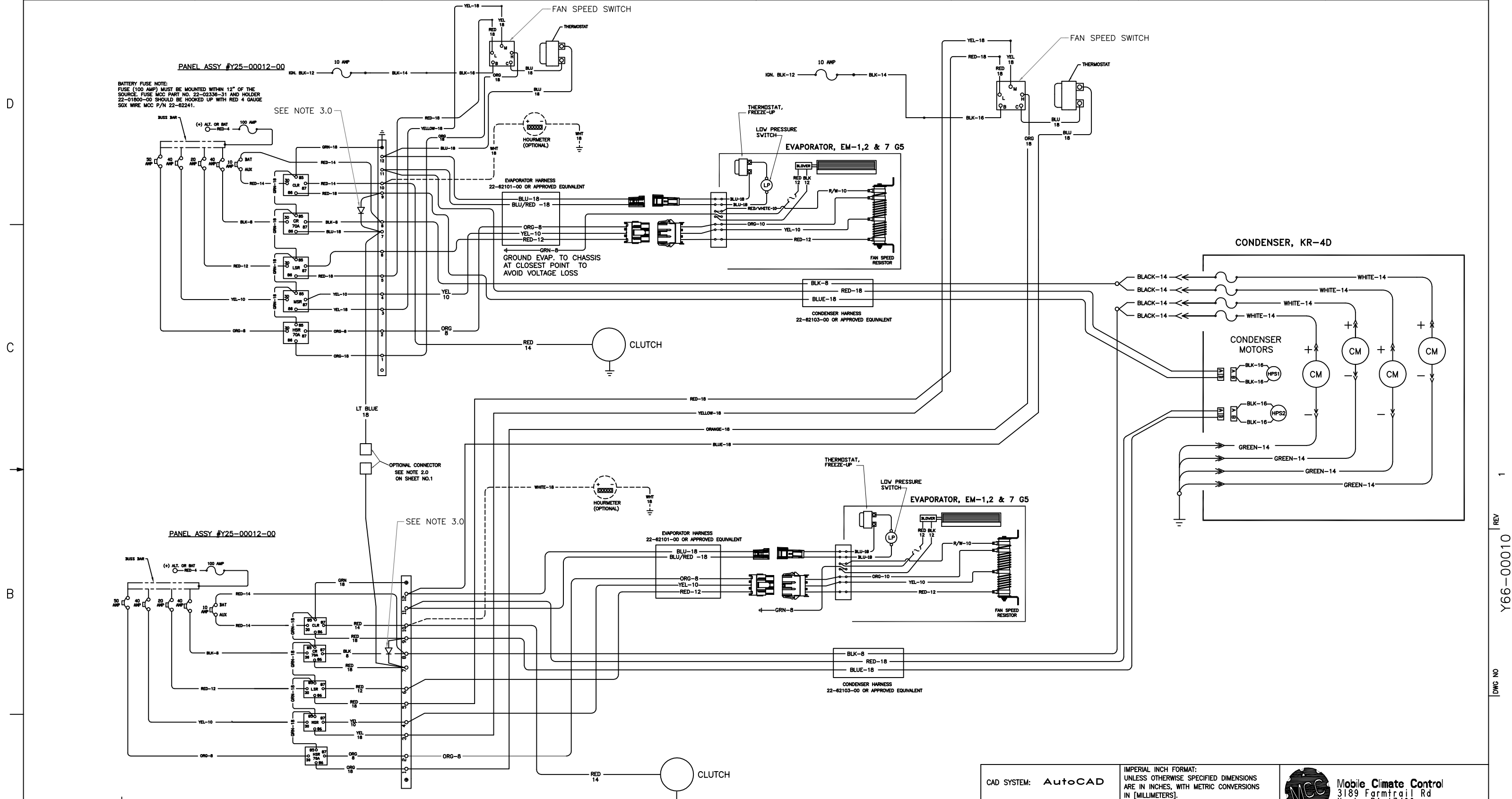
A



1	INITIAL RELEASE	JUL 16, 2012	L&T	SB	ECN0035Y12
SYM	REVISION RECORD	DATE	BY	ENGR.	M.E.
					NPCA NO.
					WEIGHT
					MFG/PURCH MFG

CAD SYSTEM: <b>AutoCAD</b>	IMPERIAL INCH FORMAT: UNLESS OTHERWISE SPECIFIED DIMENSIONS ARE IN INCHES, WITH METRIC CONVERSIONS IN [MILLIMETERS].	<p><b>Mobile Climate Control</b> 3189 Farmtrail Rd York, PA 17406</p>
THIRD ANGLE PROJECTION	UNLESS OTHERWISE SPECIFIED TOLERANCES ON: .00 DEC .000 DEC DEC ANG ± .04 ± .020 ± ± 2° [.0] DEC [.00] DEC DEC ± [1.0] ± [.50] ± [ ]	
MATERIAL	SURFACES ✓ AA	<p>THIS DOCUMENT AND THE INFORMATION CONTAINED THEREIN IS PROPRIETARY TO MOBILE CLIMATE CONTROL AND SHALL NOT BE USED OR DISCLOSED TO OTHERS, IN WHOLE OR IN PART, WITHOUT THE WRITTEN AUTHORIZATION OF MOBILE CLIMATE CONTROL.</p> <p>TITLE <b>WIRE DIAGRAM</b> (3) EM W/KR4 3 SPD CTRL</p>
	HOLE DIA ± .005 ± [.13]	<p>SIZE <b>D</b></p>
	HOLE SPACING ± .015 ± [.38]	<p>DRAWING NO. <b>Y66-00010</b></p>
	HOLE LOC ± .03 ± [.8]	<p>SHEET 2 OF <b>1</b></p>
	NON-CUMULATIVE	<p>REVISION <b>1</b></p>
	DIMENSIONS IN (PARENTHESIS) ARE FOR INFORMATION ONLY. TOLERANCES DO NOT APPLY.	<p>SCALE <b>1:2</b></p>
		<p>COMMODITY CODE</p>

1  
REV Y66-00010  
DWG NO



1	INITIAL RELEASE	JUL 16, 2012	L&T	SB	ECN003512
SYM	REVISION RECORD	DATE	BY	ENGR.	M.E. NPCA NO.

1	INITIAL RELEASE	JUL 16, 2012	L&T	SB	ECN003512
SYM	REVISION RECORD	DATE	BY	ENGR.	M.E. NPCA NO.

CAD SYSTEM:	AutoCAD
THIRD ANGLE PROJECTION	
MATERIAL	

IMPERIAL INCH FORMAT: UNLESS OTHERWISE SPECIFIED DIMENSIONS ARE IN INCHES, WITH METRIC CONVERSIONS IN [MILLIMETERS].			
UNLESS OTHERWISE SPECIFIED TOLERANCES ON:			
.00 DEC	.000 DEC	DEC	ANG
± .04	± .020	±	± 2'
[.0] DEC	[.00] DEC	DEC	
± [1.0]	± [.50]	± [ ]	
SURFACES	HOLE DIA	HOLE SPACING	HOLE LOC
✓ AA	± .005 ± [.13]	± .015 ± [.38] NON-CUMULATIVE	± .03 ± [.8]
DIMENSIONS IN (PARENTHESIS) ARE FOR INFORMATION ONLY. TOLERANCES DO NOT APPLY.			

**Mobile Climate Control**  
3189 Farmtrail Rd  
York, PA 17406

THIS DOCUMENT AND THE INFORMATION CONTAINED THEREIN IS PROPRIETARY TO MOBILE CLIMATE CONTROL AND SHALL NOT BE USED OR DISCLOSED TO OTHERS, IN WHOLE OR IN PART, WITHOUT THE WRITTEN AUTHORIZATION OF MOBILE CLIMATE CONTROL.

TITLE: **WIRE DIAGRAM**  
(2) EM W/KR4 3 SPD CTRL

SIZE: D	DRAWING NO.: Y66-00010	REV: 1
NEXT DRAWING: NONE	SCALE: 1:2	

D

C

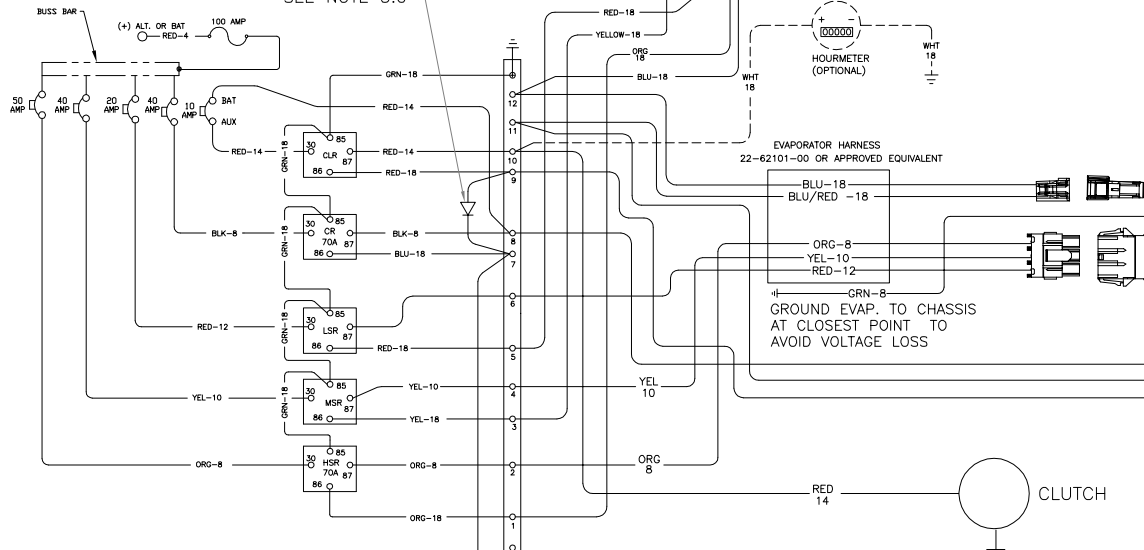
B

A

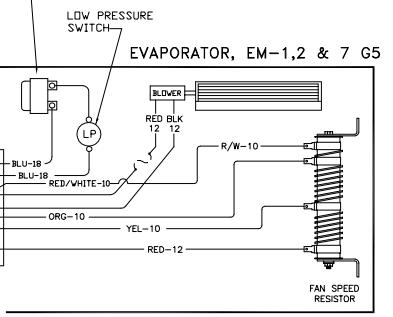
PANEL ASSY #Y25-00012-00

BATTERY FUSE NOTE:  
FUSE (100 AMP) MUST BE MOUNTED WITHIN 12" OF THE SOURCE. FUSE MCC PART NO. 22-02336-31 AND HOLDER 22-01800-00 SHOULD BE HOOKED UP WITH RED 4 GAUGE SIX WIRE MCC P/N 22-62241.

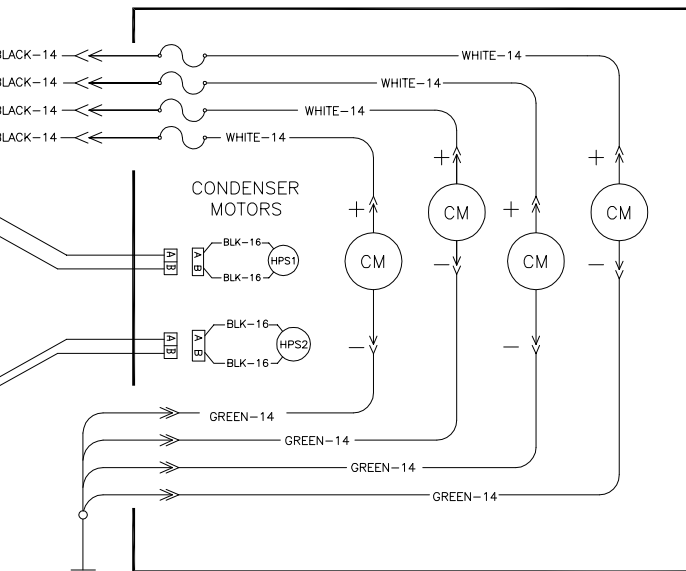
SEE NOTE 3.0



EVAPORATOR, EM-1,2 & 7 G5



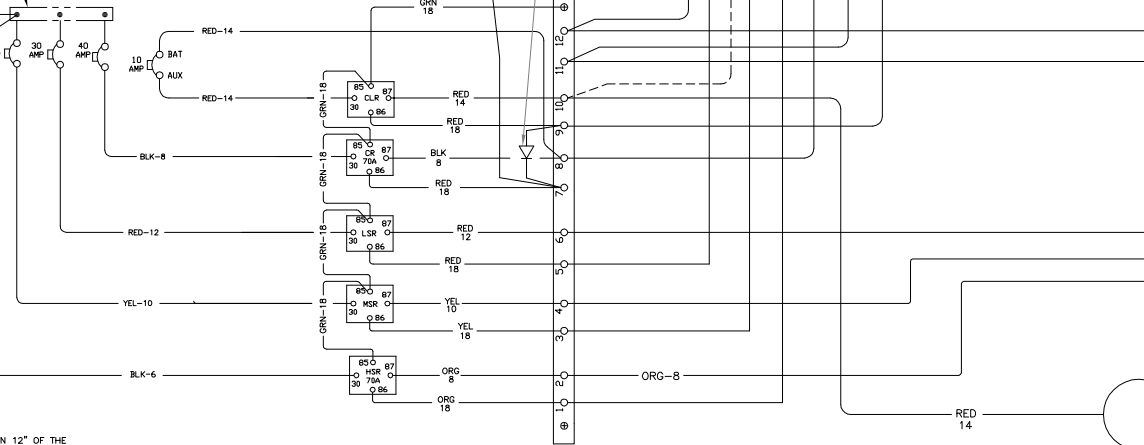
CONDENSER, KR-4D



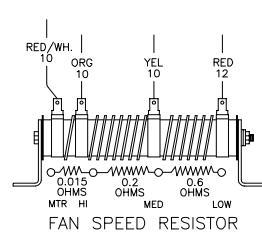
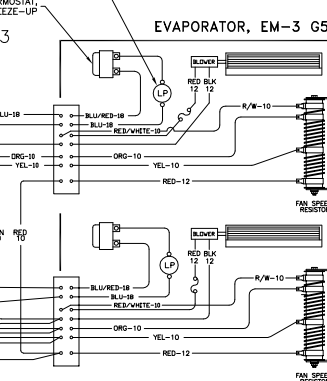
PANEL ASSY #Y25-00013-00

BATTERY FUSE NOTE:  
FUSE (100 AMP) MUST BE MOUNTED WITHIN 12" OF THE SOURCE. FUSE MCC PART NO. 22-02336-31 AND HOLDER 22-02898-00 SHOULD BE HOOKED UP WITH RED 4 GAUGE SIX WIRE MCC P/N 202-139.

SEE NOTE 3.0



IMPORTANT: NOTE G5 EM-3 LPS/FREEZESTAT WIRE CHANGE TO BE IN SERIES



2	INITIAL RELEASE OF DIAGRAM	MAR 11, 2014	KMS/TDL	KMS		ECN-8471
SYM	REVISION RECORD	DATE	BY	ENGR.	M.E.	NPCA NO.

CAD SYSTEM: AutoCAD		IMPERIAL INCH FORMAT: UNLESS OTHERWISE SPECIFIED DIMENSIONS ARE IN INCHES, WITH METRIC CONVERSIONS IN [MILLIMETERS].		<b>Mobile Climate Control</b> 3189 Farmrail Rd York, PA 17406	
THIRD ANGLE PROJECTION		UNLESS OTHERWISE SPECIFIED TOLERANCES ON:		THIS DOCUMENT AND THE INFORMATION CONTAINED THEREIN IS PROPRIETARY TO MOBILE CLIMATE CONTROL AND SHALL NOT BE USED OR DISCLOSED TO OTHERS, IN WHOLE OR IN PART, WITHOUT THE WRITTEN AUTHORIZATION OF MOBILE CLIMATE CONTROL.	
		.00 DEC    .000 DEC    DEC    ANG ± .04    ± .020    ±    ± 2° [0] DEC    [00] DEC    DEC    [ ] ± [1.0]    ± [50]    ± [ ]		TITLE <b>WIRE DIAGRAM</b> (2) EM W/KR4 3 SPD CTRL	
MATERIAL		SURFACES ✓ AA		SIZE D	
		HOLE DIA. ± .005 ± [.13]		DRAWING NO. Y66-00010	
		HOLE SPACING ± .015 ± [.38] NON-CUMULATIVE		SHEET 4 OF 2	
		HOLE LOC ± .03 ± [.8]		REV 2	
		DIMENSIONS IN (PARENTHESIS) ARE FOR INFORMATION ONLY. TOLERANCES DO NOT APPLY.		NEXT DRAWING NONE	
		WEIGHT		SCALE 1:2	
		MFG/PURCH MFG		PRINT DISTRIBUTION	

DWG NO Y66-00010 REV 2 COMMODITY CODE