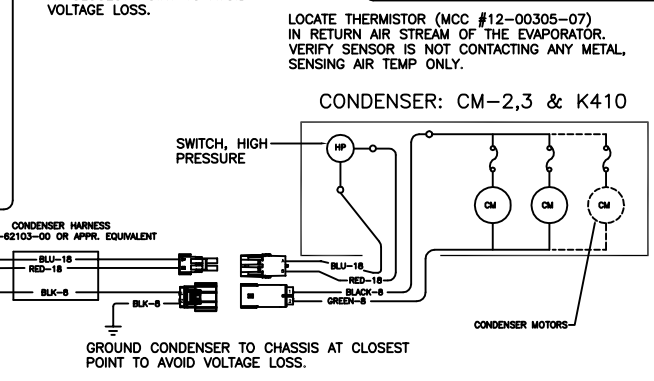
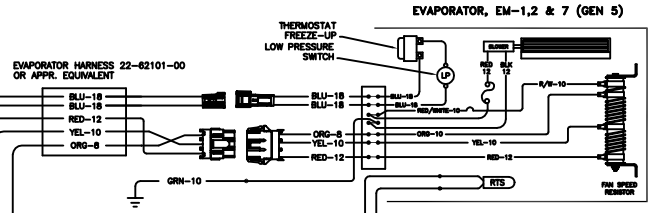
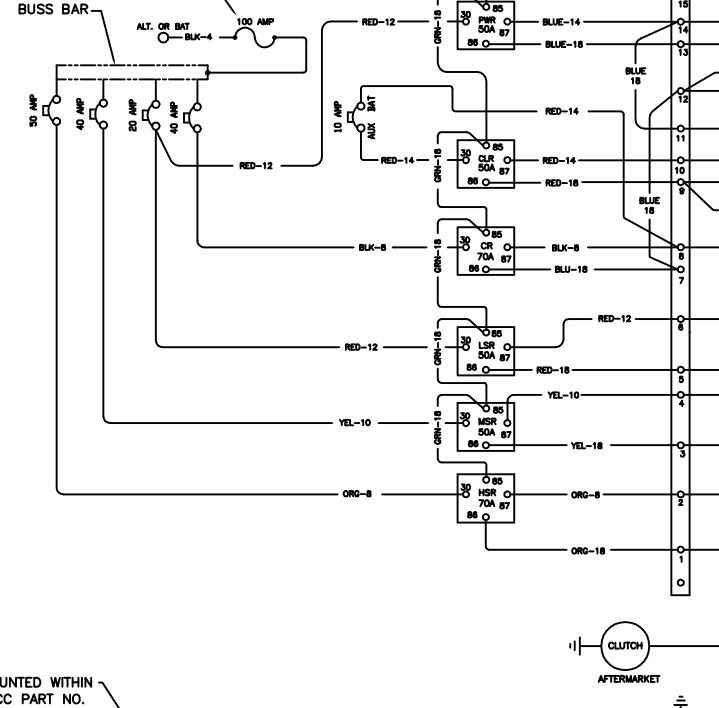


BATTERY FUSE NOTE:
 FUSE (100 AMP) MUST BE MOUNTED WITHIN 12"
 OF THE SOURCE. FUSE MCC PART NO.
 22-02336-31 AND HOLDER 22-01800-00
 SHOULD BE HOOKED UP WITH RED 4 GAUGE
 SGX WIRE MCC P/N 22-62241.

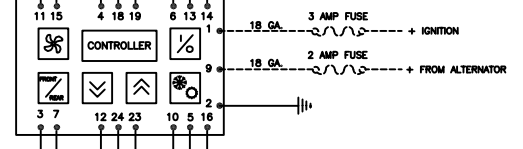
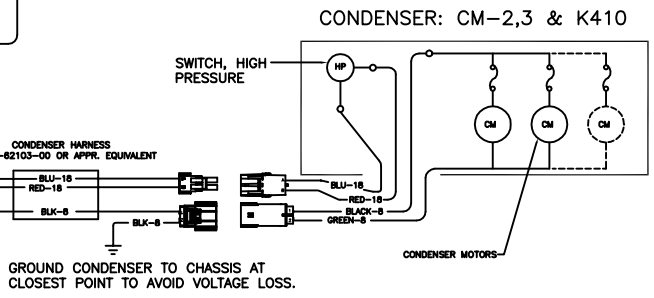
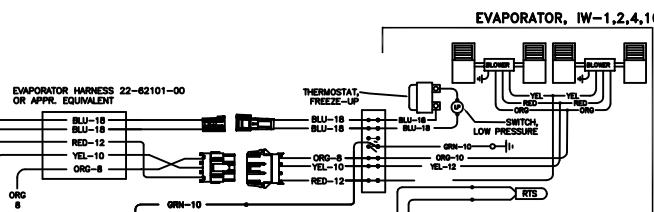
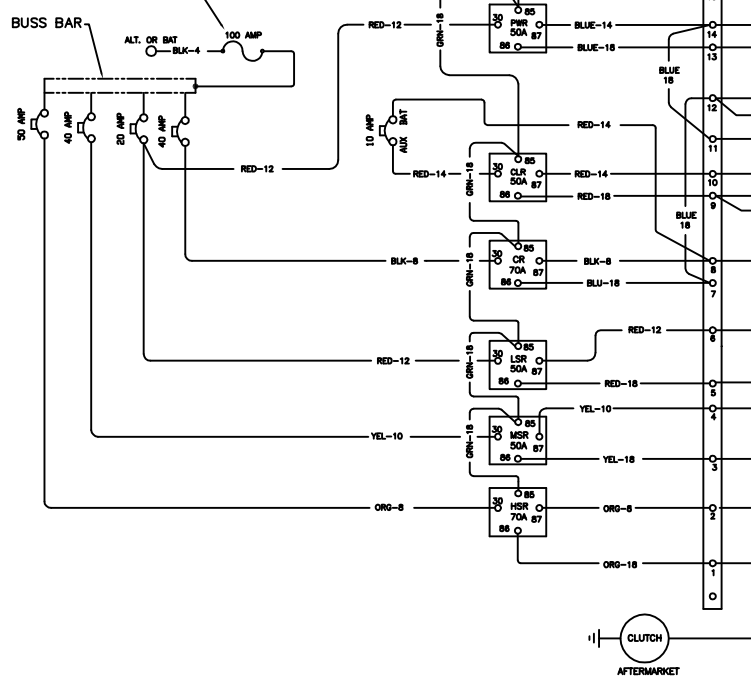
PANEL ASSY #Y25-00003-00



NOTES:
 1.0 DISCONNECT OEM DASH AIR CLUTCH WIRE WHEN WIRING
 A/C SYSTEM (UNLESS WIRING MAX SYSTEM)
 2.0 DO NOT INSTALL A/C ELECTRICAL PANEL IN AN AREA THAT
 IS NOT VENTILATED OR CAN EXCEED 150° F. OR 66° C.

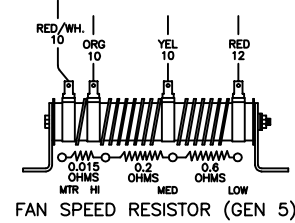
BATTERY FUSE NOTE:
 FUSE (100 AMP) MUST BE MOUNTED WITHIN 12"
 OF THE SOURCE. FUSE MCC PART NO.
 22-02336-31 AND HOLDER 22-01800-00
 SHOULD BE HOOKED UP WITH RED 4 GAUGE
 SGX WIRE MCC P/N 22-62241.

PANEL ASSY #Y25-00003-00



SHEET INDEX	SHEET 1	2
REV	1.0	1.0

CIRCUIT BREAKER IDENTIFICATION
 TYPE III- MANUAL RESET—RESETS WHEN EXTERNAL BUTTON IS PUSHED.
 TYPE II— RESETS WHEN OVERCURRENT IS CORRECTED OR REMOVED.



1.0	INITIAL RELEASE	6DEC2011	DNK	SB	-	ECN0026Y11
SYM	REVISION RECORD	DATE	BY	ENGR.	M.E.	NPCA NO.

CAD SYSTEM:	AutoCAD
THIRD ANGLE PROJECTION	
MATERIAL	
WEIGHT	
MFG/PURCH	MFG

IMPERIAL INCH FORMAT: UNLESS OTHERWISE SPECIFIED DIMENSIONS ARE IN INCHES, WITH METRIC CONVERSIONS IN [MILLIMETERS].			
UNLESS OTHERWISE SPECIFIED TOLERANCES ON:			
.00 DEC	.000 DEC	DEC	ANG
± .04	± .020	±	± 2'
[.0] DEC	[.00] DEC	DEC	
± [1.0]	± [.50]	± []	
SURFACES	HOLE DIA.	HOLE SPACING	HOLE LOC
✓ AA	± .005 ± [.13]	± .015 ± [.38]	± .03 ± [.8]
DIMENSIONS IN (PARENTHESIS) ARE FOR INFORMATION ONLY. TOLERANCES DO NOT APPLY.			

MCC MOBILE CLIMATE CONTROL
 3189 Farmtrail Rd
 York, Pennsylvania 17406 USA

THIS DOCUMENT AND THE INFORMATION CONTAINED THEREIN IS PROPRIETARY TO MOBILE CLIMATE CONTROL AND SHALL NOT BE USED OR DISCLOSED TO OTHERS, IN WHOLE OR IN PART, WITHOUT THE WRITTEN AUTHORIZATION OF MCC.

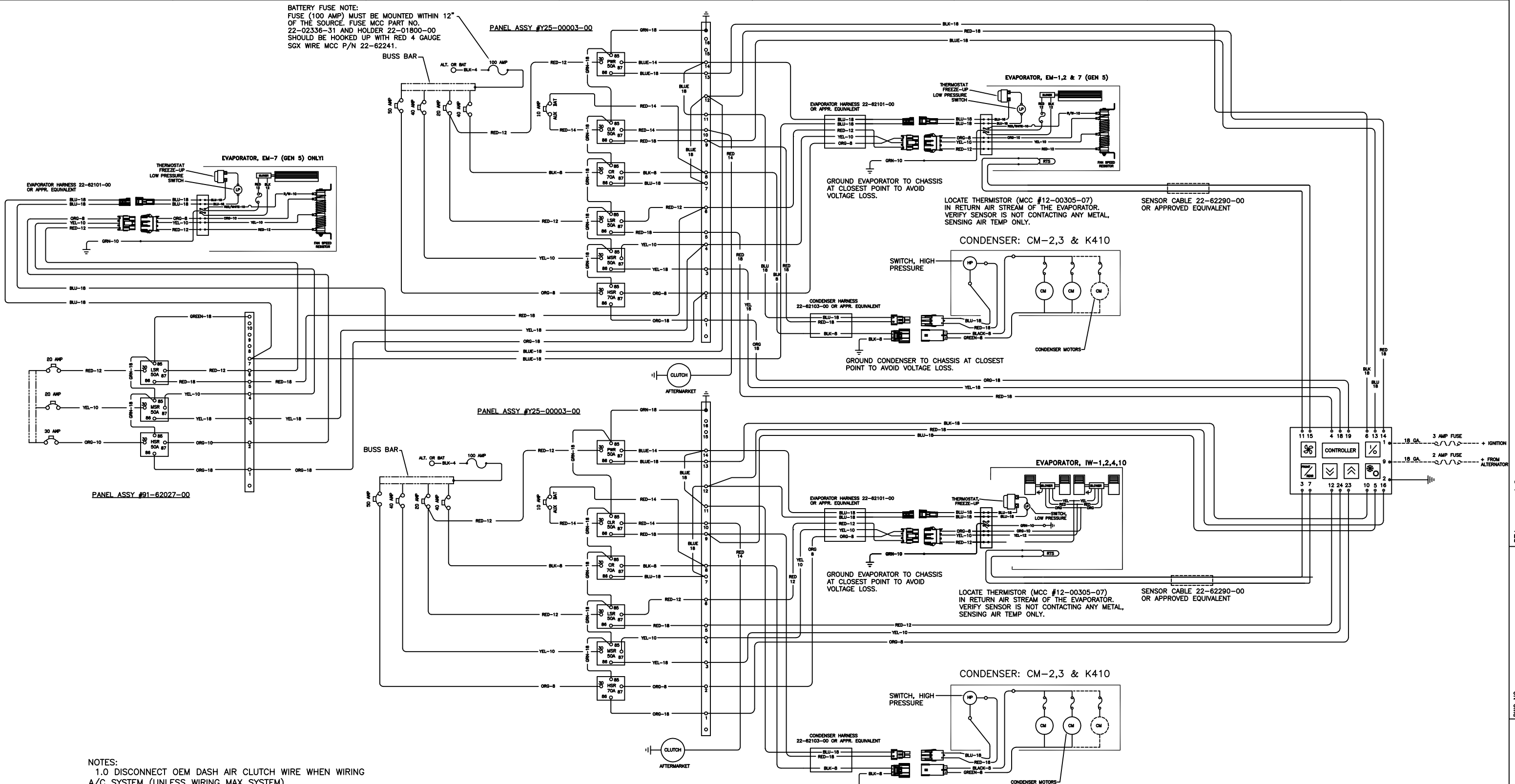
TITLE: **WIRE DIAGRAM**

SIZE	DRAWING NO.	REV
D	Y66-00002	1.0
SHEET 1 OF 2		

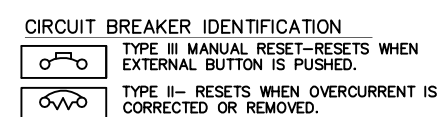
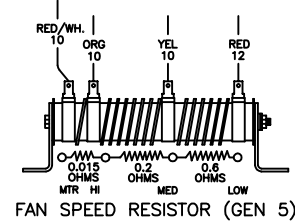
NEXT DRAWING: NONE SCALE: 1:4

1.0 REV Y66-00002 DWG NO COMMODITY CODE

BATTERY FUSE NOTE:
 FUSE (100 AMP) MUST BE MOUNTED WITHIN 12" OF THE SOURCE. FUSE MCC PART NO. 22-02336-31 AND HOLDER 22-01800-00 SHOULD BE HOOKED UP WITH RED 4 GAUGE SGX WIRE MCC P/N 22-62241.



NOTES:
 1.0 DISCONNECT OEM DASH AIR CLUTCH WIRE WHEN WIRING A/C SYSTEM (UNLESS WIRING MAX SYSTEM)
 2.0 DO NOT INSTALL A/C ELECTRICAL PANEL IN AN AREA THAT IS NOT VENTILATED OR CAN EXCEED 150° F. OR 66° C.



1.0	INITIAL RELEASE	6DEC2011	DNK	SB	-	ECN0026Y11
SYM	REVISION RECORD	DATE	BY	ENGR.	M.E.	NPCA NO.

CAD SYSTEM: **AutoCAD**

THIRD ANGLE PROJECTION

MATERIAL

IMPERIAL INCH FORMAT: UNLESS OTHERWISE SPECIFIED DIMENSIONS ARE IN INCHES, WITH METRIC CONVERSIONS IN [MILLIMETERS].

UNLESS OTHERWISE SPECIFIED TOLERANCES ON:

.00 DEC	.000 DEC	DEC	ANG
± .04	± .020	±	± 2'
[.0] DEC	[.00] DEC	DEC	
± [1.0]	± [.50]	± []	

DIMENSIONS IN (PARENTHESIS) ARE FOR INFORMATION ONLY. TOLERANCES DO NOT APPLY.

MCC MOBILE CLIMATE CONTROL
 50 Grumbacher Rd
 York, Pennsylvania 17406 USA

THIS DOCUMENT AND THE INFORMATION CONTAINED THEREIN IS PROPRIETARY TO MOBILE CLIMATE CONTROL AND SHALL NOT BE USED OR DISCLOSED TO OTHERS, IN WHOLE OR IN PART, WITHOUT THE WRITTEN AUTHORIZATION OF MCC.

TITLE: **WIRE DIAGRAM**

SIZE: **D** DRAWING NO.: **Y66-00002** REV: **1.0**
 SHEET 2 OF

NEXT DRAWING: **NONE** SCALE: **1:4**