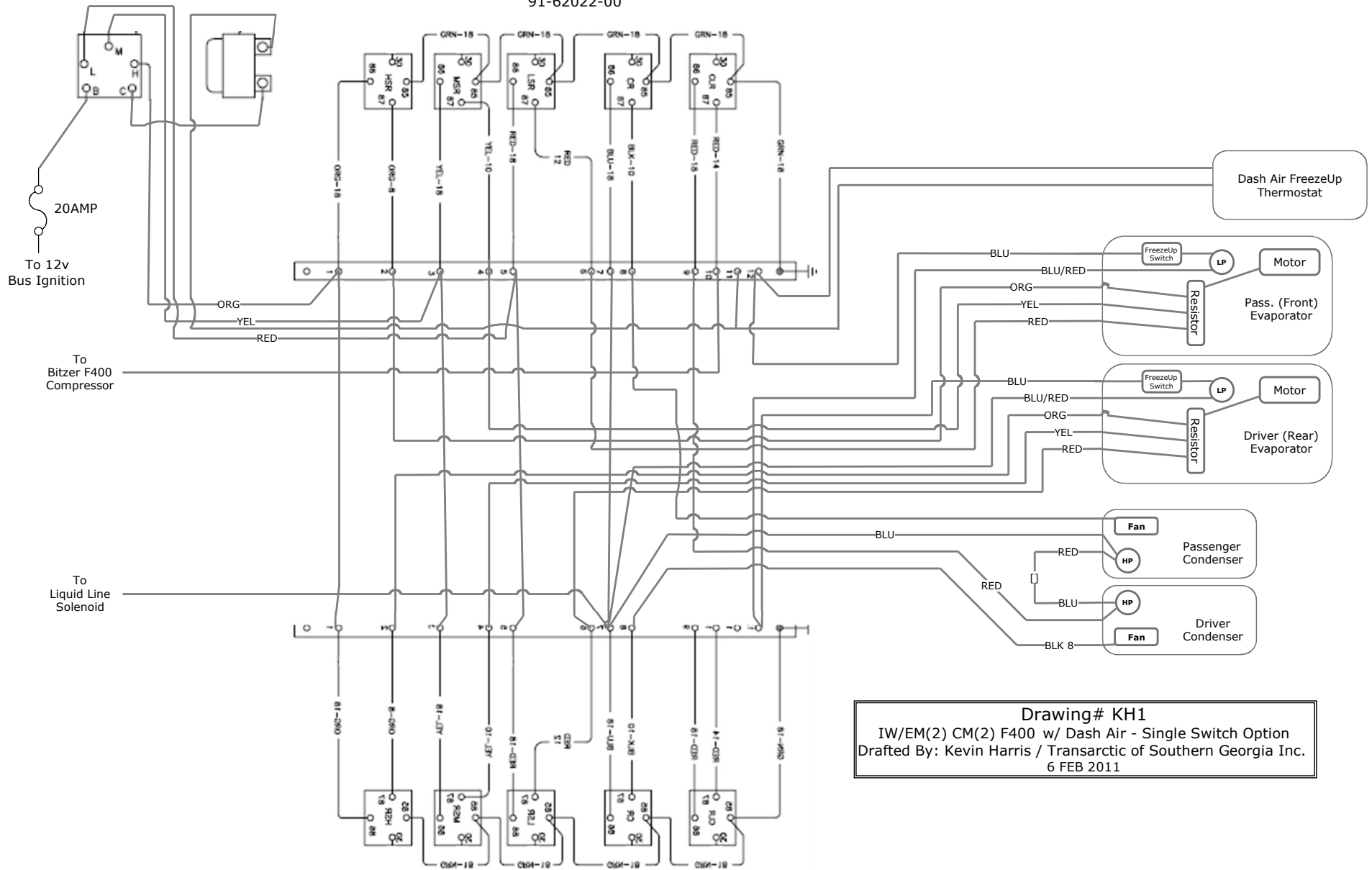


Passenger (Front Unit) Electrical Panel
91-62022-00



Driver (Rear Unit) Electrical Panel
91-62022-00

Drawing# KH1
 IW/EM(2) CM(2) F400 w/ Dash Air - Single Switch Option
 Drafted By: Kevin Harris / Transarctic of Southern Georgia Inc.
 6 FEB 2011