

Bill of Materials Listing

TransArctic Canada Inc.

8/10/2021
Page 1 of 1

Product Number	Date	Description		Uof M	Weight	Yield		
Line	Qty	Component	Prod#	Rev#	Description	Bin	Unit	
KMP82030	7/16/2021	0	Mt. Kit, PSI 8.8, IC CE, 2-TM16, '21				213.13	0
10	1	BEL62083			Belt, 6gr, 2083mm (82")	A6	each	
20	1	BEL82743			Belt, 8gr, 2743mm (108") (5081080)		each	
30	1	BMN80084		0	Bkt, Weldm't, Cradle, Compr. IC CE, '21		each	
40	1	BMN80097		0	Bkt, Pl, Rad Coolant, Riser, IC CE, '21		each	
50	1	BMN80102		0	Bkt, Weldm't, B/s Idler, PSI 8.8, '21		each	
60	1	BMN80113		0	Bkt, Weldm't, Tensioner, PSI 8.8, '21		each	
70	1	BMN80115		0	Bkt, B/S Idler, BRACE, 92mm Compr., '21		each	
80	1	BMN80128		0	Bkt, Weldm't, B/S Idler, 92mm Compr., '21		each	
90	1	BMS60004		1	Bkt, Cradle, R/H, TM-21, 3126, P8		each	
100	2	PUL60076			Pulley, Idler, Frontside, P6,76d (89051)		each	
110	2	PUL80076			Pulley, Idler, Backside, P8, 74d (89101)		each	
120	1	PUL88006		0	Pulley, Crank, ADD-ON, PSI 8.8L, P6		each	
130	1	SCD09010		0	Spacer, Col, Drl, 9mm x 25.4o x 10.32i		each	
140	1	SCD11617		2	Spacer, Col, Drl, 11.6mm x 28.6o x 17i		each	
150	1	SCD14910		0	Spacer, Col, Drl, 14.9 mm x 31.8o x 10.3i		each	
160	2	SCD38410		0	Spacer, Col, Drl, 38.4mm x 25.4o x 10.3i		each	
170	1	SCD41910		0	Spacer, Col, Drl, 41.9 mm x 25.4ox 10.3i		each	
180	2	SLV17010		1	Sleeve, Pulley, 16.9o x 22.23mm x 10.32i		each	
190	2	SLV17110		0	Sleeve, Pulley, S, 16.9o x 22.23mm x 10.3i	Alley	each	
200	1	TEN80005			Tenr, HD Spring, BackSide, CCW (89430)		each	
210	1	KBP82630			Bag Kit, Fasteners, KMP82630 & KMP82030		each	

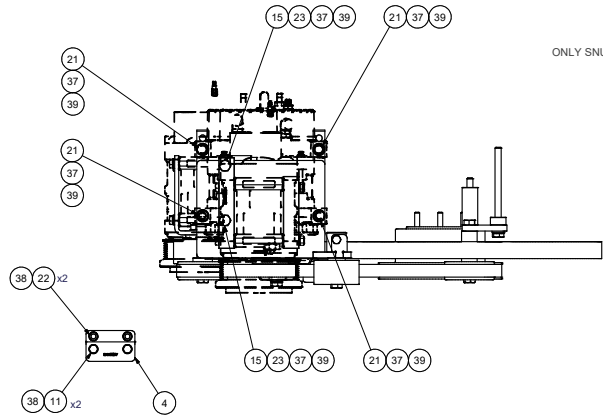
Bill of Materials Listing

TransArctic Canada Inc.

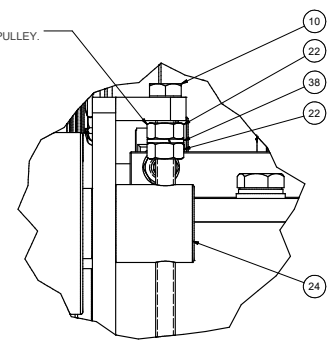
8/11/2021
Page 1 of 1

Product Number	Date	Description	Uof M	Weight	Yield	
Line	Qty	Component Prod#	Rev#	Bin	Unit	
KBP82630	7/19/2021	Bag Kit, Fasteners, KMP82630 & KMP82030			3.94	0
10	1	BTA08101			each	
20	2	BTC08020			each	
30	6	BTC08045			each	
40	4	BTC08140			each	
50	2	BTC08150			each	
60	2	BTC10045			each	
70	1	BTC10050			each	
80	2	BTC10065			each	
90	1	BTC10070			each	
100	3	BTC10090			each	
110	1	BTC10140			each	
120	4	BTC10170			each	
130	6	NTA08000			each	
140	3	NTA10000			each	
150	1	NTS08476			each	
160	10	WFA08000			each	
170	15	WFA10000			each	
180	11	WLA08000			each	
190	14	WLA10000			each	

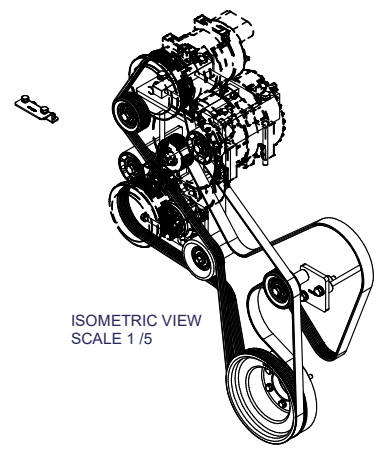
8 7 6 5 4 3 2 1



NOTE: DO NOT OVERTIGHTEN NUT TO MAIN BRACKET TAB. ONLY SNUG FIT REQUIRED, FOR BOLT TO SPIN FREELY WHEN ADJUSTING PULLEY.

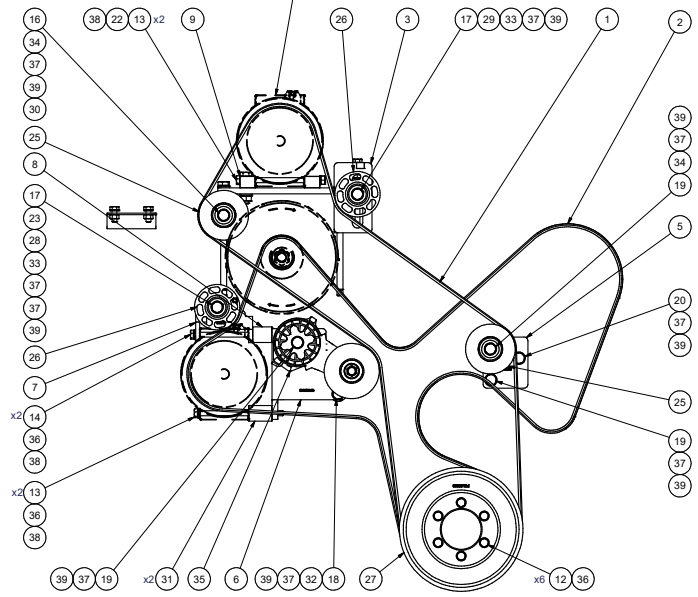


DETAIL A
SCALE 1 : 1

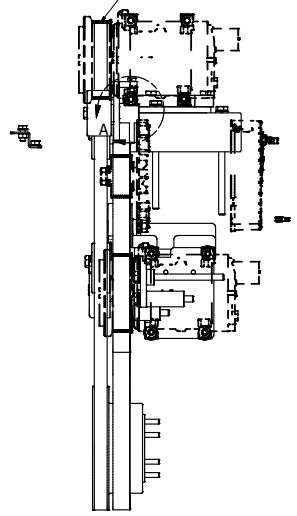


ISOMETRIC VIEW
SCALE 1 / 5

NOTE:
SHOWING (2) x TRANSARC TIC
COMPRESSORS
PART#: CMV10080 (163cc)
AS REFERENCE.



NOTE:
INSTALL THE 6 GR. BELT ON THE
MIDDLE 6 GROOVES OF THE 8 GR.
COMPRESSOR PULLEY.



39	14	EACH	WLA10000	WASHER, LOCK, 10mm, 8.8, PLT
38	11	EACH	WLA08000	WASHER, LOCK, 8mm, 8.8, PLT
37	15	EACH	WFA10000	WASHER, FLAT, 10mm, 8.8, PLT
36	10	EACH	WFA08000	WASHER, FLAT, 8mm, 8.8, PLT
35	1	EACH	TEN80005	TEHR, HD SPRING, BACKSIDE, CCW (89430)
34	2	EACH	SLV17110	SLEEVE, PULLEY, 16.90 x 22.23mm x 10.31
33	2	EACH	SLV17010	SLEEVE, PULLEY, 16.90 x 22.23mm x 10.32
32	1	EACH	SCD41910	SPACER, COL, DRL, 41.9mm x 25.40 x 10.30
31	2	EACH	SCD38410	SPACER, COL, DRL, 38.4mm x 25.40 x 10.31
30	1	EACH	SCD14910	SPACER, COL, DRL, 14.9 mm x 31.80 x 10.31
29	1	EACH	SCD11617	SPACER, COL, DRL, 11.6mm x 28.60 x 17
28	1	EACH	SCD09010	SPACER, COL, DRL, 9mm x 25.40 x 10.32
27	1	EACH	PUL80006	PULLEY, CRANK, ADD-ON, PSI 8.8L, P6
26	2	EACH	PUL80076	PULLEY, IDLER, BACKSIDE, P8, 76D, 39W
25	2	EACH	PUL60076	PULLEY, P6, 3.195" DIA
24	1	EACH	NTS08476	NUT, TENSIONER, 10 mm, 47.63 mm o/a, PLT
23	3	EACH	NTA10000	NUT, HEX, 10 x 1.5, 8.8, PLT
22	6	EACH	NTA08000	NUT, HEX, 8 x 1.25, 8.8 PLT
21	4	EACH	BTC10170	BOLT, HEX, 10 x 1.5 x 170mm, 10.9, PLT
20	1	EACH	BTC10140	BOLT, HEX, 10 x 1.5 x 140mm, 10.9, PLT
19	3	EACH	BTC10090	BOLT, HEX, 10 x 1.5 x 90mm, 10.9, PLT
18	1	EACH	BTC10070	BOLT, HEX, 10 x 1.5 x 70mm, 10.9, PLT
17	2	EACH	BTC10065	BOLT, HEX, 10 x 1.5 x 65mm, 10.9, PLT
16	1	EACH	BTC10050	BOLT, HEX, 10 x 1.5 x 50mm, 10.9, PLT
15	2	EACH	BTC10045	BOLT, HEX, 10 x 1.5 x 45mm, 10.9, PLT
14	2	EACH	BTC08150	BOLT, HEX, 8 x 1.25 x 150mm, 10.9, PLT
13	4	EACH	BTC08140	BOLT, HEX, 8 x 1.25 x 140mm, 10.9, PLT
12	6	EACH	BTC08045	BOLT, HEX, 8 x 1.25 x 45mm, 10.9, PLT
11	2	EACH	BTC08020	BOLT, HEX, 8 x 1.25 x 20mm, 10.9, PLT
10	1	EACH	BTA08101	BOLT, HEX, 8 x 1.25 x 100mm, 8.8, TB, PLT
9	1	EACH	BMS0004	BKT, CRADLE, R/H, TM-21, 3126, P8
8	1	EACH	BMN80128	BKT, WELDMT, B/S IDLER, 92mm COMPR., '21
7	1	EACH	BMN80115	BKT, CRADLE, TOP, 92mm, IC CE, '21
6	1	EACH	BMN80113	BKT, WELDMT, TENSIONER, PSI 8.8, '21
5	1	EACH	BMN80102	BKT, WELDMT, B/S IDLER, PSI 8.8, '21
4	1	EACH	BMN80097	BKT, WELDMT, B/S BOTTLE, RISER, TM-43, IC CE, '21
3	1	EACH	BMN80084	BKT, WELDMT, CRADLE, COMPRESSOR, IC CE, '21
2	1	EACH	BEL82743	BELT, 6GR, 2743mm (108")
1	1	EACH	BEL62083	BELT, 6GR, 2083mm (82")

ITEM	QTY	U/M	PART NUMBER	DESCRIPTION
DRAWN: jrodriguez 7/14/2021				
CHECKED: Val Jakowlew 7/15/2021				
DATE: 7/15/2021				
BY: James Stewart				
APPROVED: Dale Mason 7/15/2021				
TITLE: MT KIT, PSI 8.8, IC CE, 2 TM-16, '21				
DWG NO: KMPB2030				
SCALE: 1:4				
SHEET 1 OF 1				

NOTES:
1) USE SERVICABLE THREADLOCKER ON ALL FASTENERS TO ENGINE COMPONENTS AND TORQUE ALL BOLTS TO S.A.E. SPECIFICATIONS.
2) SEE "TRANSARC TIC A/C COMPRESSOR MOUNT INSTALLATION DISCLAIMER".

REV	ECN	DESCRIPTION	DATE	BY
0		RELEASED TO PRODUCTION	7/15/2021	JRR
1				
2				
3				
4				
5				
6				
7				
8				
9				



DRAWING UNIT OF MEASURE: MM (INCH) SCALE: 1:4 SHEET 1 OF 1



D

C

B

A

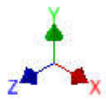
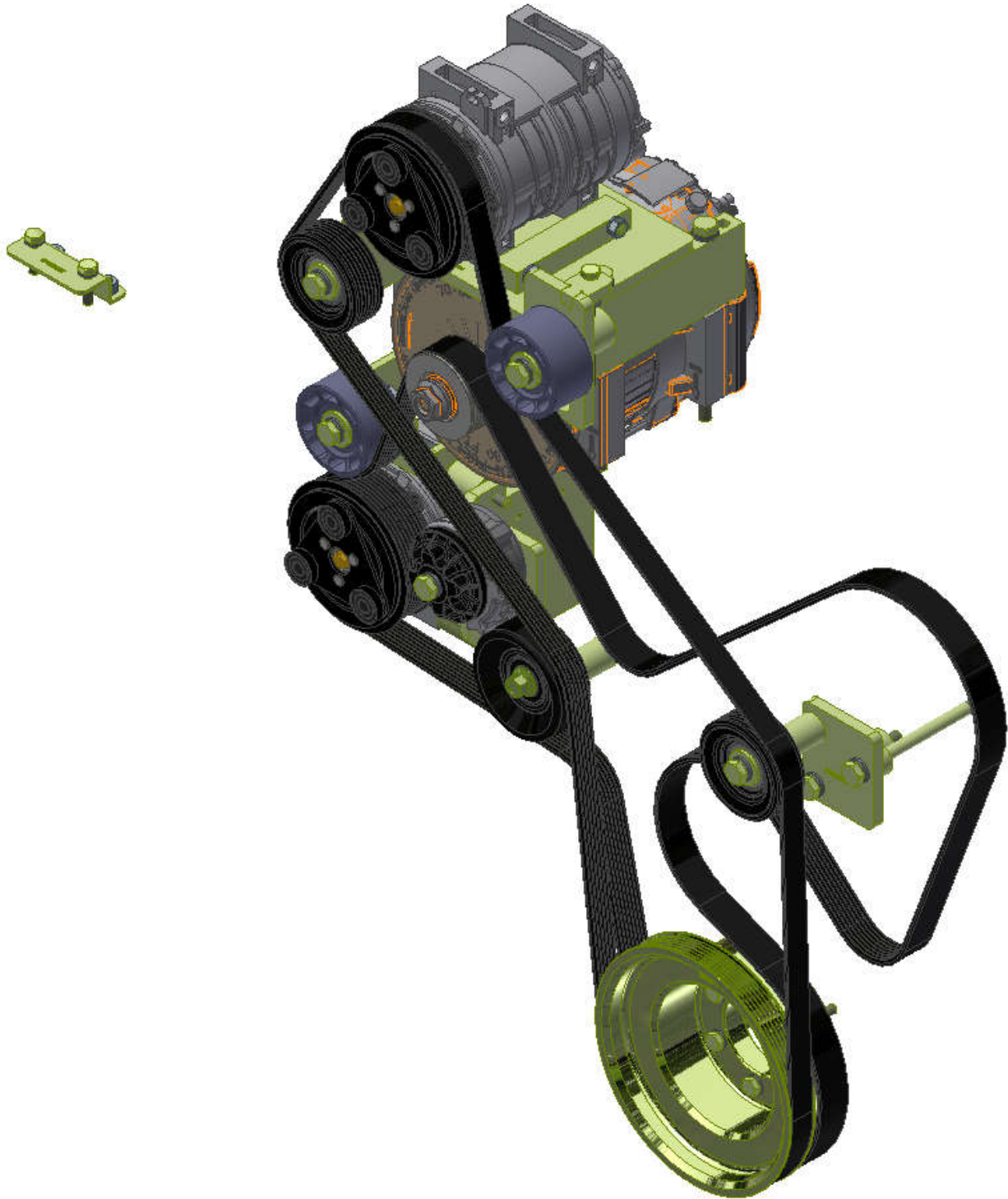
D

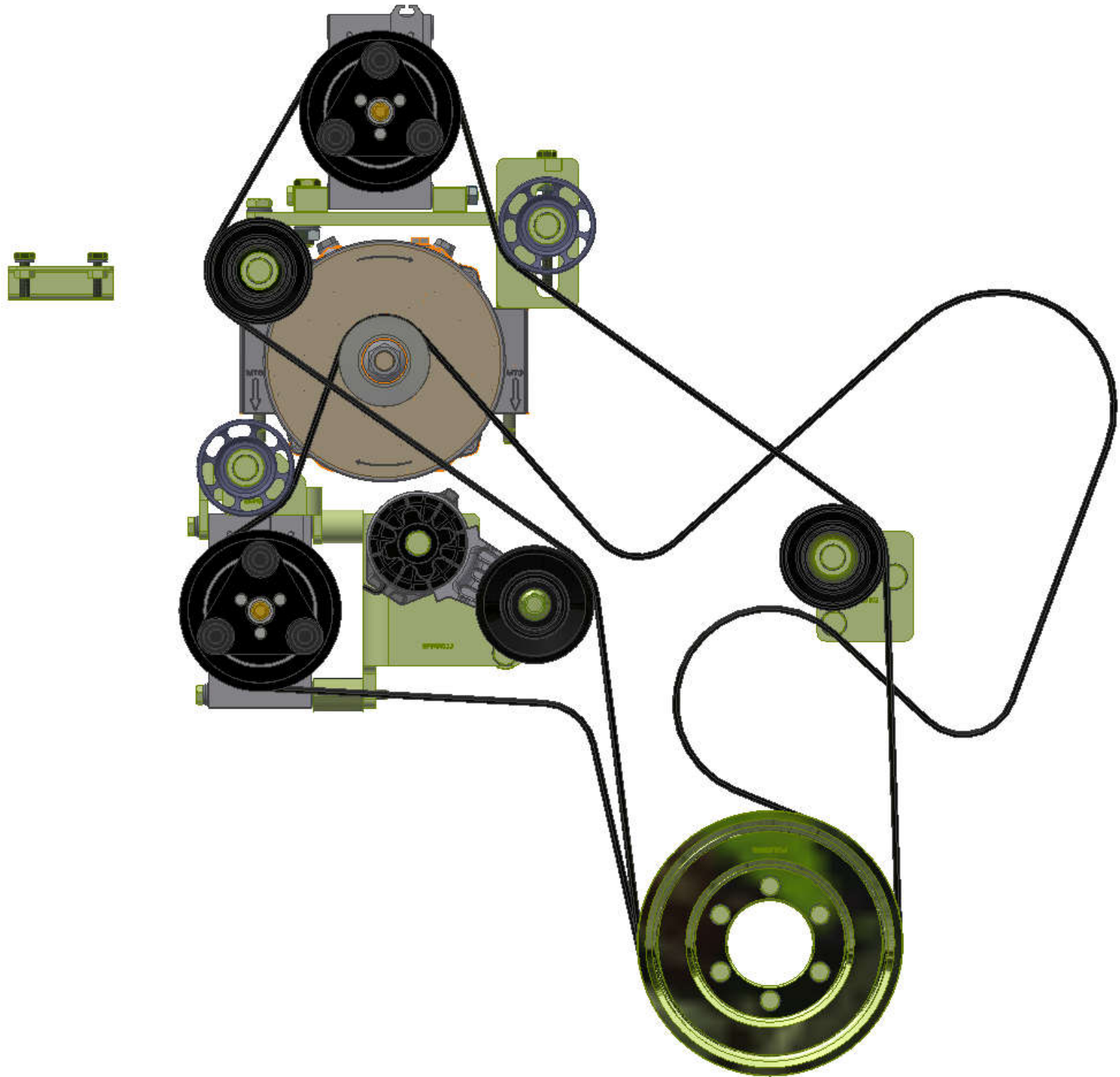
C

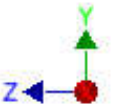
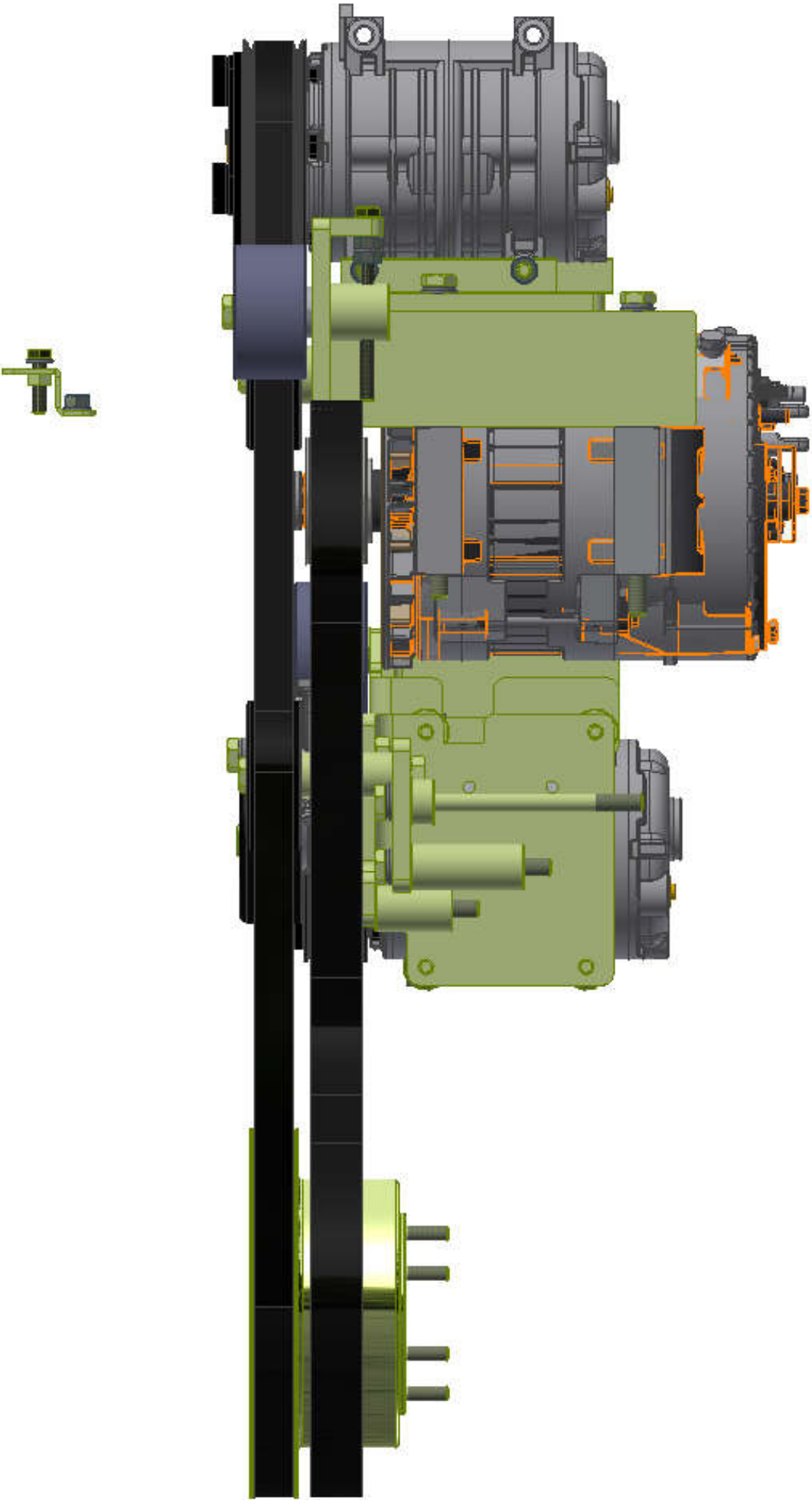
B

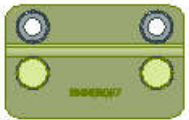
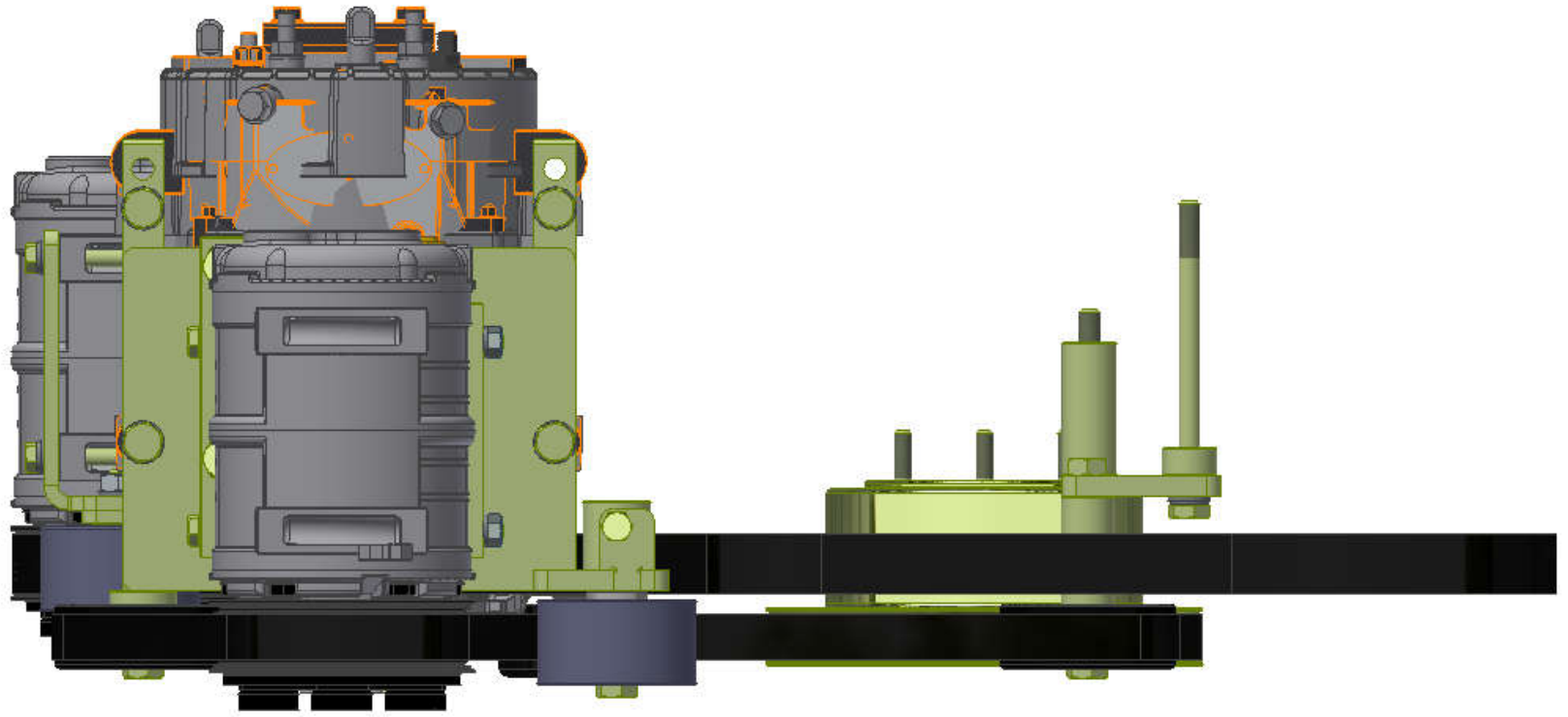
A

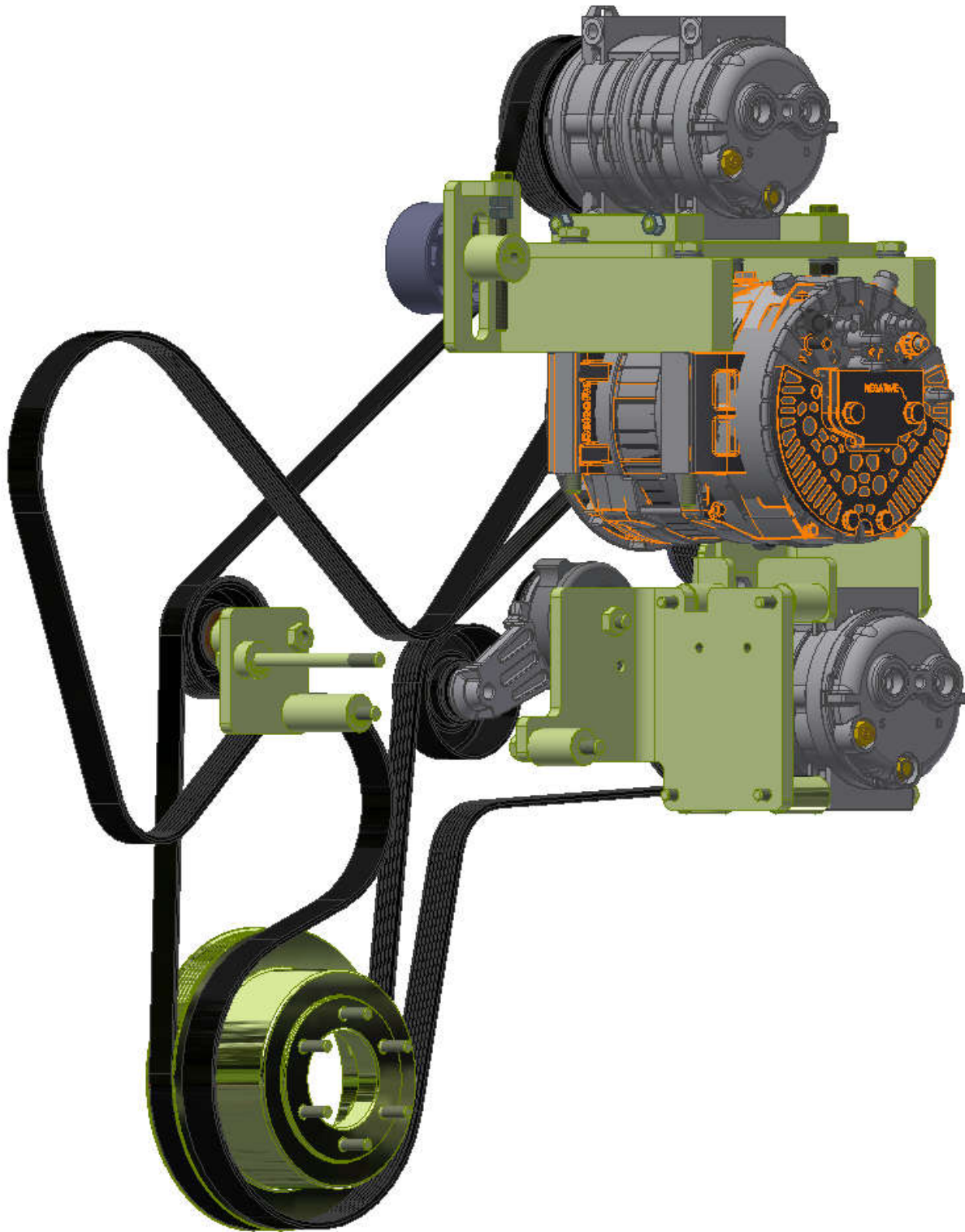
8 7 6 5 4 3 2 1











TransArctic A/C Compressor Mount Installation Disclaimer

All compressor mounts should be installed by qualified and trained personnel using proper tools and equipment in safe working conditions following industry standard guidelines for motor vehicle service and repair.

The installer of any compressor mount purchased from TransArctic must undertake all responsibility of issues arising from that compressor bracket being installed on any vehicle. As well as insure that a **proper and sufficient ground** is established between the compressors' clutches and the vehicle's engine. Mount functionality, operation and durability can all be compromised by an incompetent installation.

Due to the many different situations, parameters and application criteria, which are beyond the compressor mount manufacturer's control, TransArctic does not warrant design, durability, or operational functionality of any compressor mount improperly installed by another party.

With no implied guarantees it is the mount installer's strict responsibility to determine safety and functionality, of the compressor mount, at the time of installation.

Please contact TransArctic with any issue arising from installation so we may better improve the product. If you have any reservations about the compressor mount integrity contact TransArctic immediately at 1-877-COLD-AIR.

Mark OEM tensioner location

Install Kit

Check for Interferences

Check to ensure that the proper OEM tensioner orientation is maintained

Run engine with A/C system engaged for at least 10 minutes to run in belt

Check OEM tensioner orientation and adjust as required

Responsabilidad limitada de TransArctic en la instalación del soporte del compresor

Todos los soportes de los compresores deben ser instalados por personas calificadas y entrenadas, usando para ello los equipos y herramientas necesarios para esta labor en buenas condiciones y según las normas y guías para el servicio y/o reparación de motores de vehículos.

El instalador de los soportes comprados en TransArctic asume toda la responsabilidad de cualquier problema que surga en el soporte del compresor al vehículo; de igual manera es responsable que el cable a tierra sea conectado entre el embrague del compresor y el motor del vehículo.

Se advierte que el buen funcionamiento y la durabilidad del soporte pueden ser comprometidos por defectos en su instalación.

Debido a las diversas situaciones que se puedan presentar fuera del control del fabricante, TransArctic no garantiza el diseño, la durabilidad o el correcto funcionamiento de cualquier equipo inapropiadamente instalado por terceros.

Esta sobreentendido que el Instalador del montaje del compresor es estrictamente responsable de la seguridad y funcionamiento del equipo en el momento de la instalación.

Si tuviera algún problema o duda acerca de la instalación del soporte del compresor pongase en contacto inmediatamente con TransArctic al teléfono 1-877-COLD-AIR de modo que podamos mejorar nuestro producto.

Note la ubicación del medidor de tensión OEM

Instale el equipo

Controlar si hay interferencias.

Asegurese que el medidor de tensión mantenga la orientación justa.

Encienda el motor por lo menos 10 minutos con el sistema A/C enganchado para que la correa corra

Controle la orientación justa del medidor de tensión y ajuste a las condiciones requeridas del fabricante