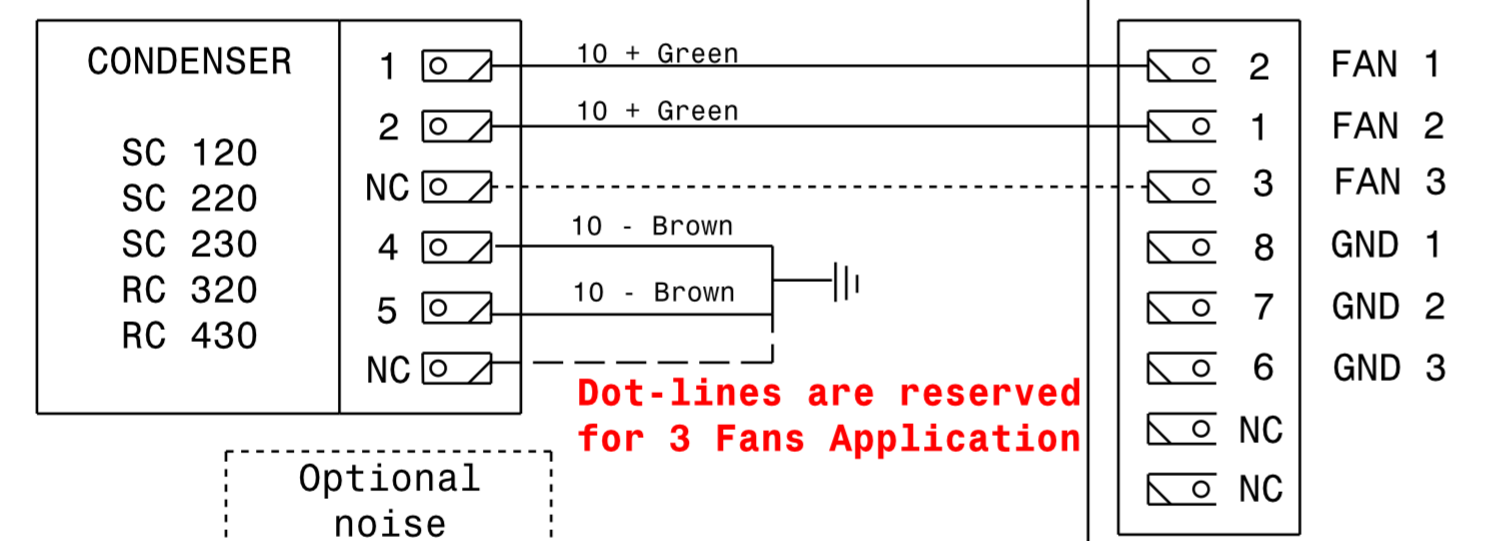
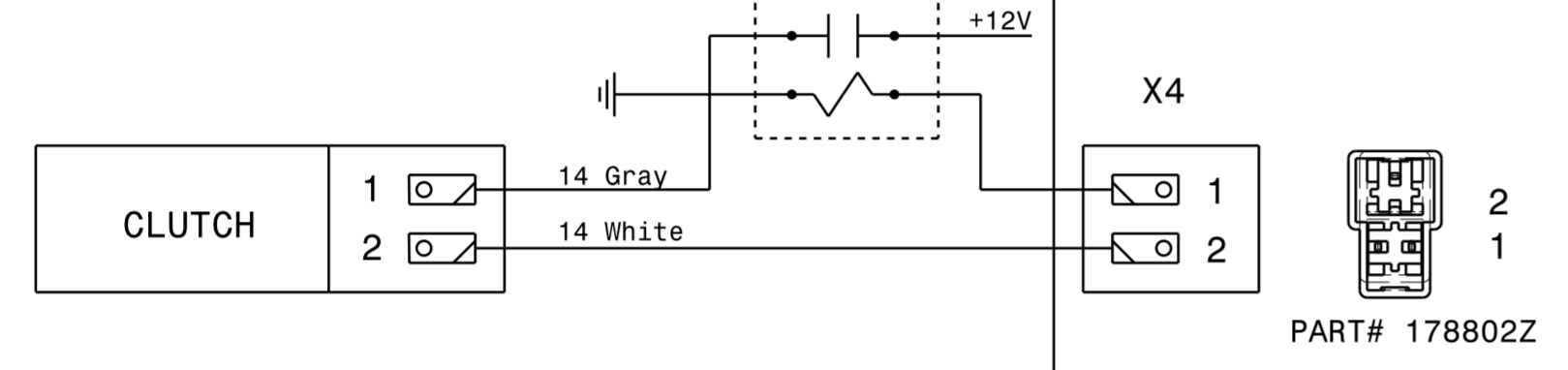
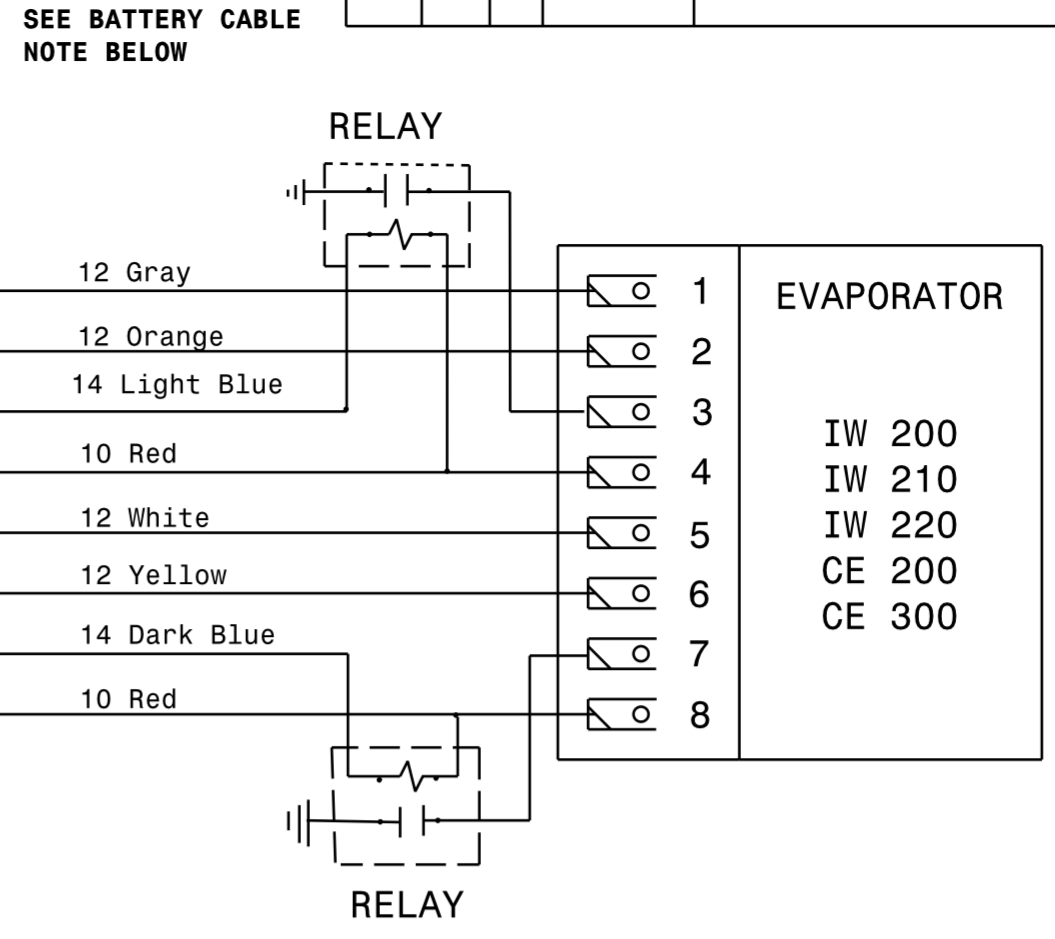
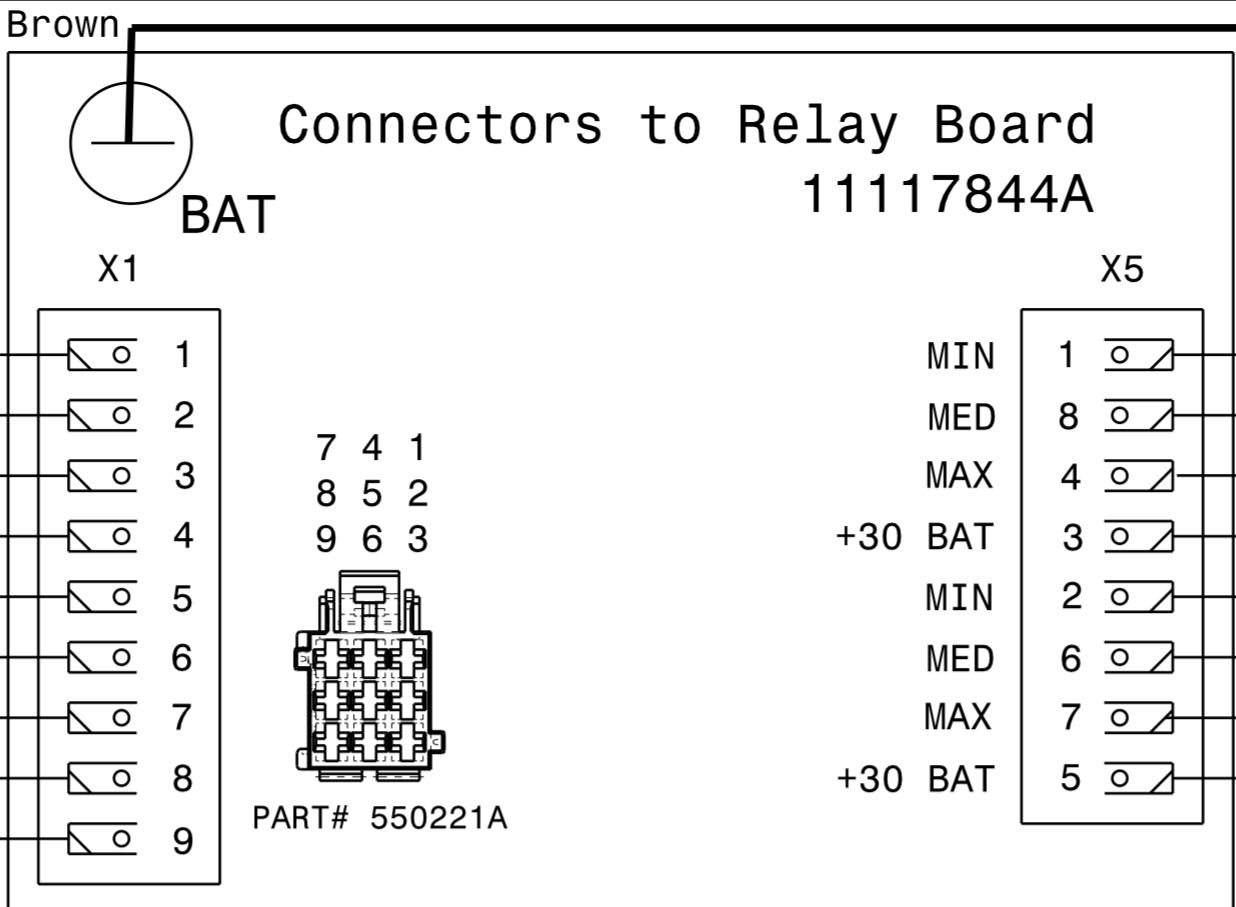
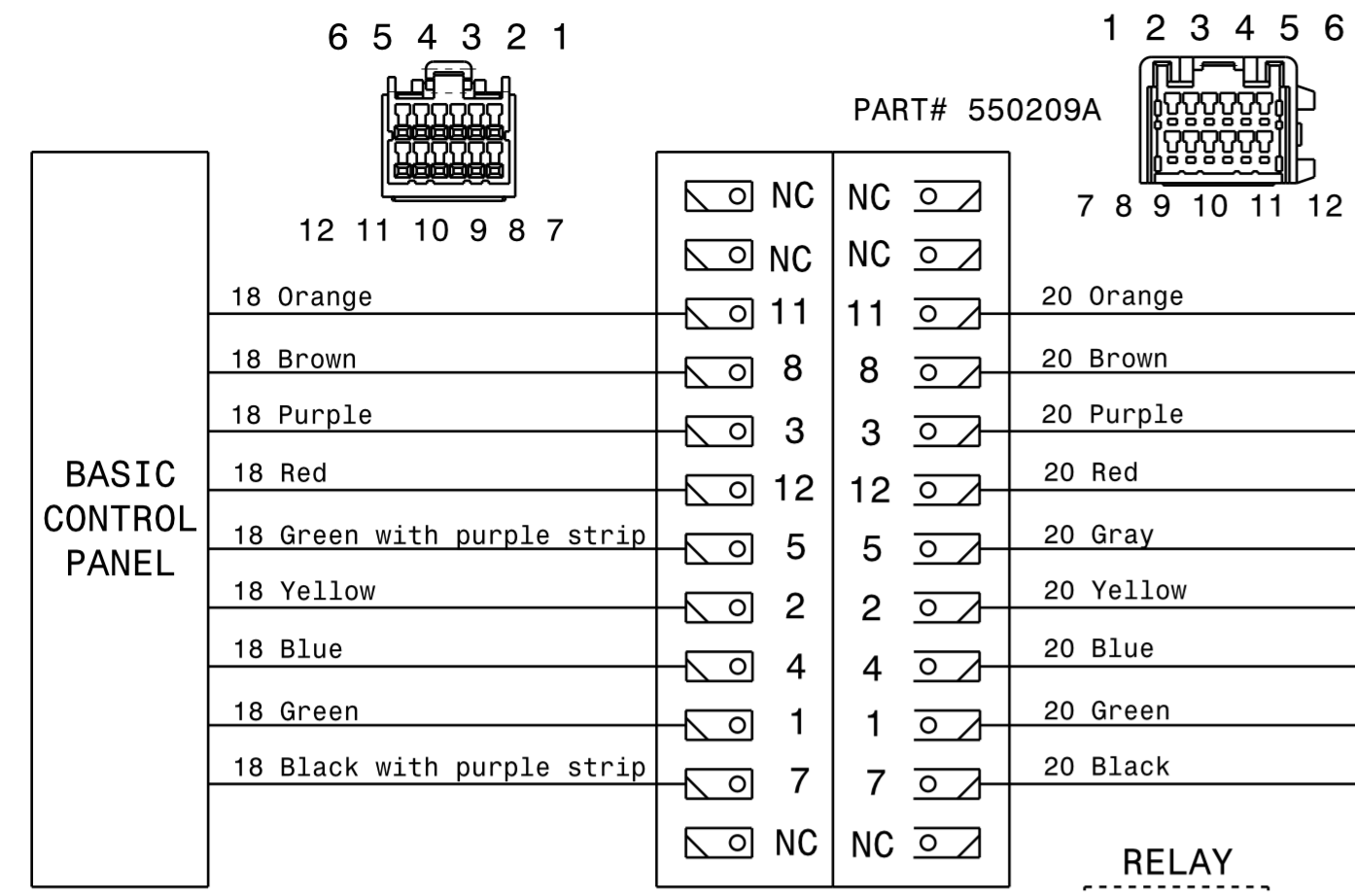
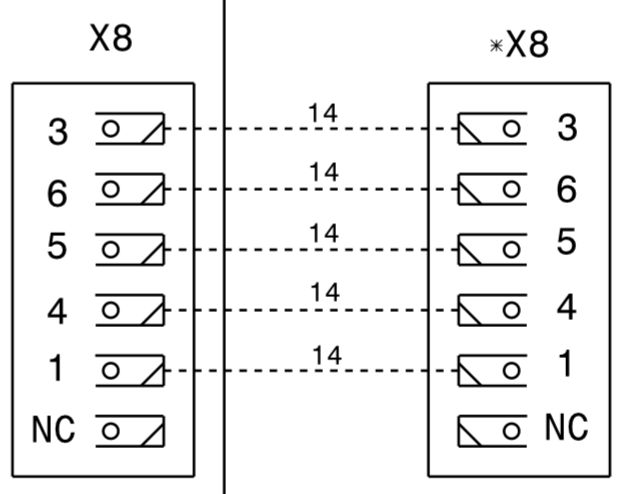
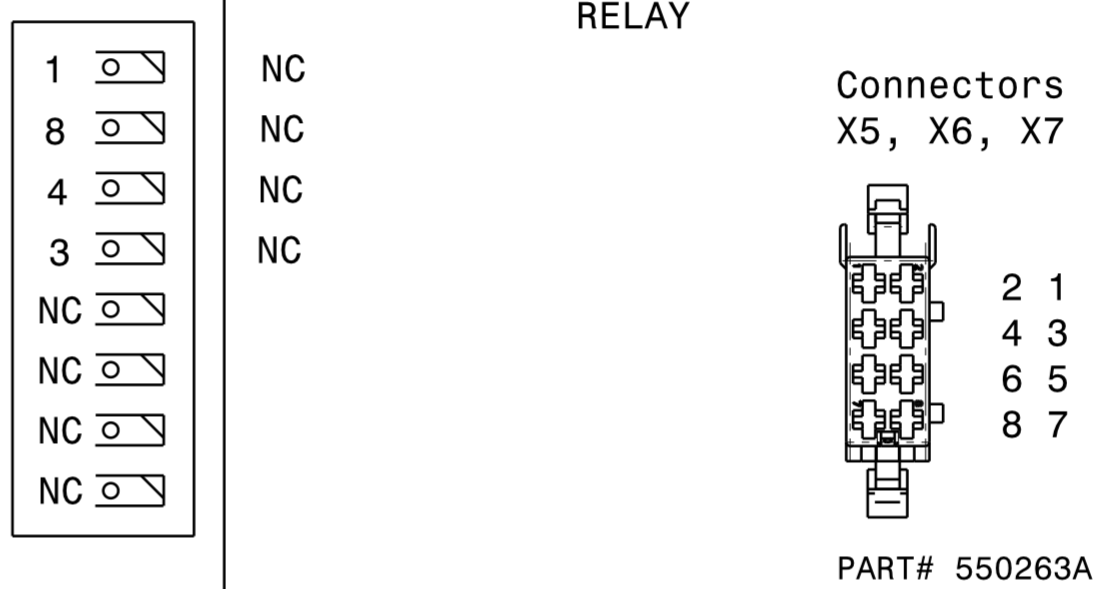


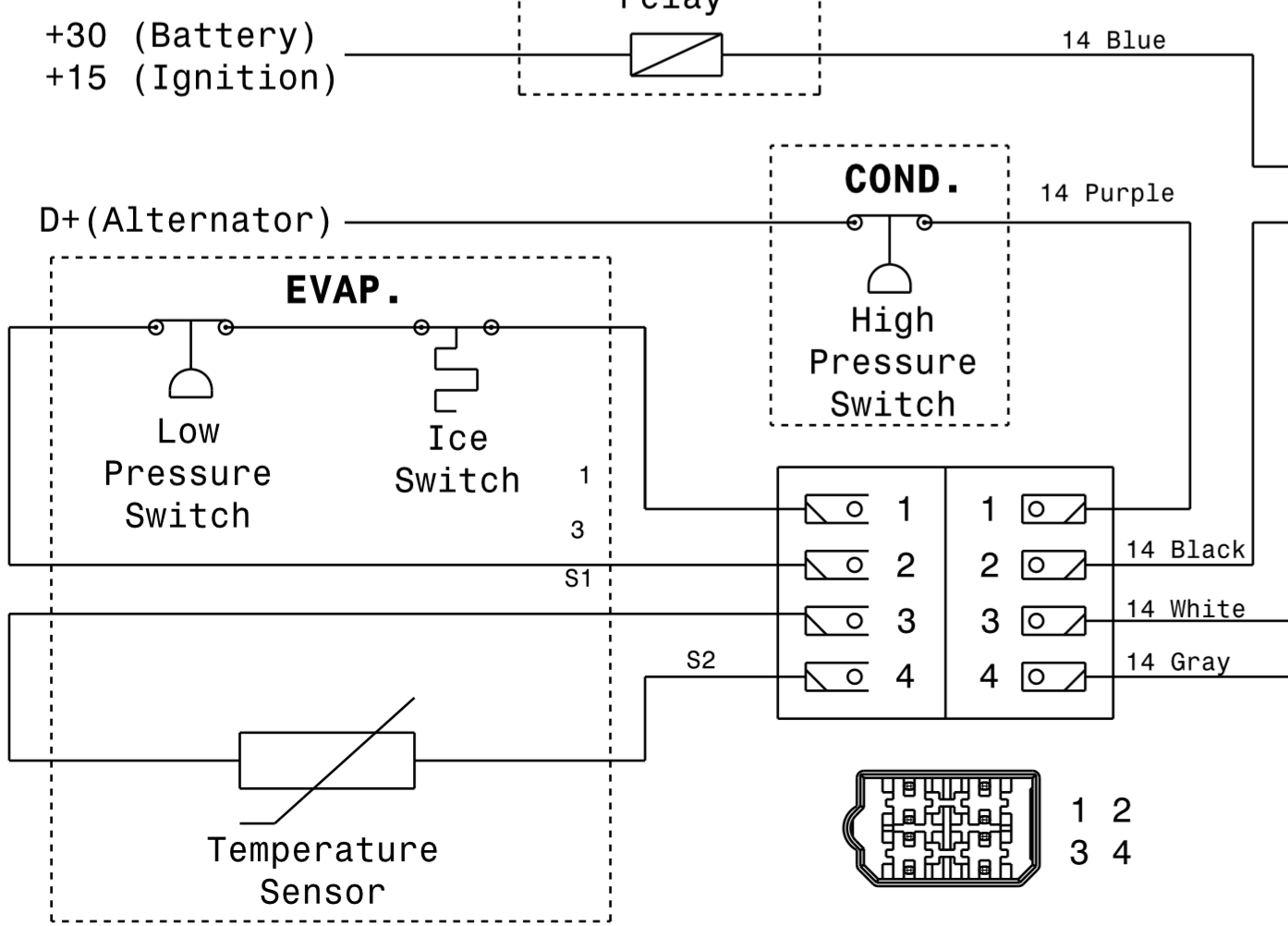
CL1	CL2	QTY	NUMBER	CHANGE	DD. MM. YY	DRAW	CHECK



Reserved for 3rd blower Application or 2nd Evaporator



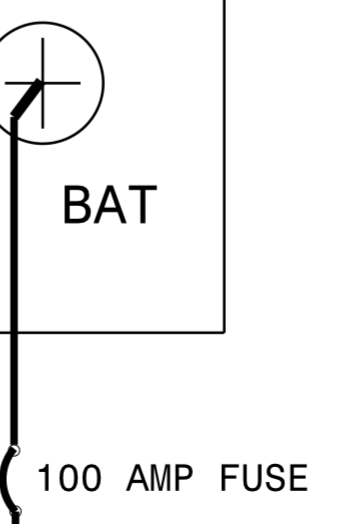
* Master/slave interface for singal control dual loop system



Wire Maximum Wire Length Gauge @12 Volts DC

4	100 Amps
2	37 Ft.
1	60 Ft.
	76 Ft.

Note: Maximum recommended wire lengths based on 1/2 volt maximum voltage drop.



REF./POS. DIM		INFORMATION DIM		NOT SCALED DIM	
PERMISSIBLE DEVIATION FOR DIM WITHOUT TOLERANCES			VOLTAGE	WEIGHT	CAD SYSTEM
ANSI			12		CATIA V5R19
MATERIAL					
SURFACE PROTECTION					
PART NAME					
ARCTICSPHERE SPLIT SYSTEM WITH HIGH SPEED FAN RELAY'S					
DATE	26.08.13	26.08.13	SCALE	DOC NO.	PART NO.
NAME	JOEYL	JIMW	FREE		
DRAW	CHECK	APP		STATUS	
SPHEROS				SIZE	ISO A2
REPLACED BY PART-NO.			REPLACEMENT FOR PART-NO.		
			PAGE 1 / 1		

20000027A