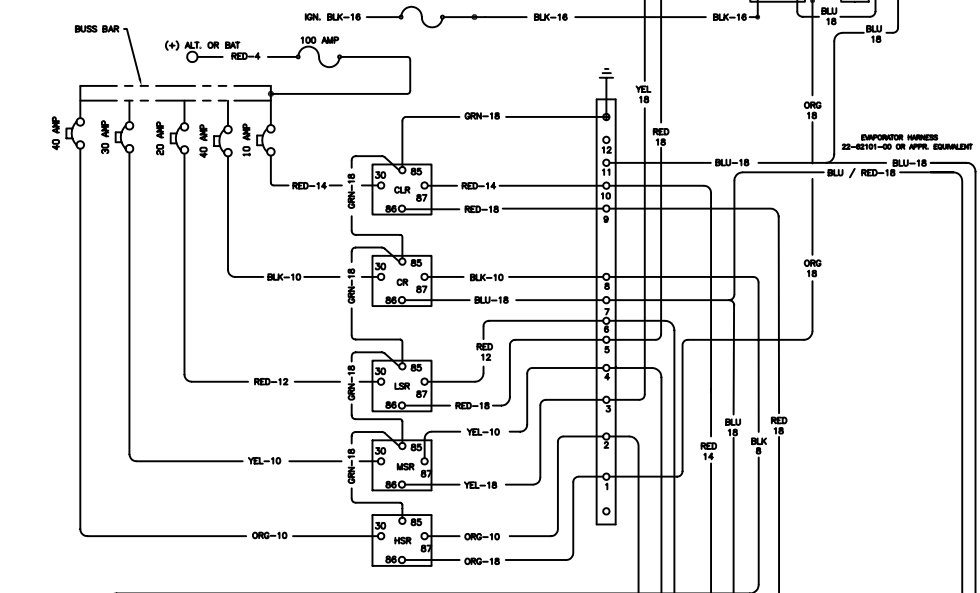
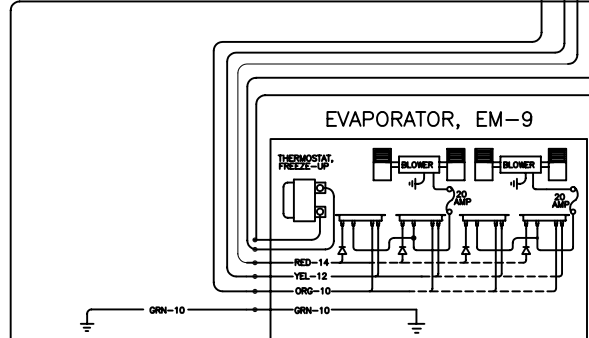
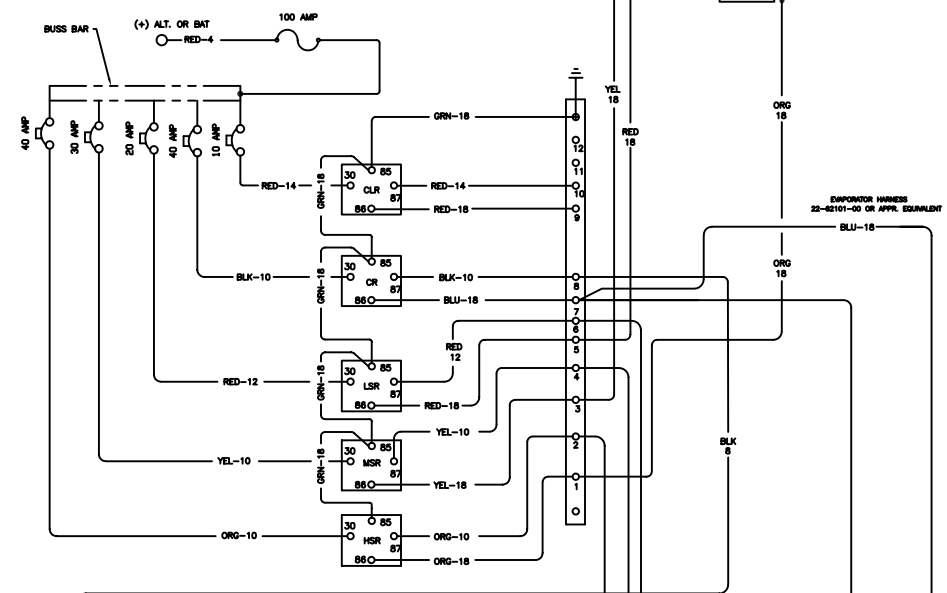


CIRCUIT BREAKER IDENTIFICATION
 TYPE II MANUAL RESET—RESETS WHEN EXTERNAL BUTTON IS PUSHED.
 TYPE II— RESETS WHEN OVERCURRENT IS CORRECTED OR REMOVED.

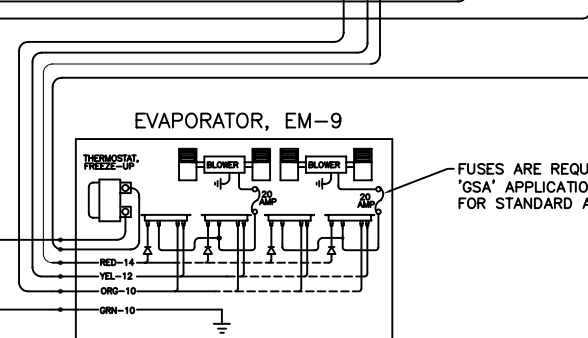
PANEL ASSY #91-62067-00
BATTERY FUSE NOTE:
 FUSE (100 AMP) MUST BE MOUNTED WITHIN 12" OF THE SOURCE. FUSE CTD PART NO. 22-02336-31 AND HOLDER 22-01800-00 SHOULD BE HOOKED UP WITH RED 4 GAUGE SGX CABLE. SHOULD BE LOOMED IF RUNNING THROUGH ENGINE OR EXHAUST AREA.



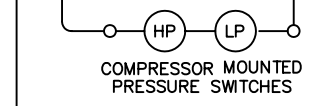
PANEL ASSY #91-62067-00



GROUND EVAPORATOR TO CHASSIS AT CLOSEST POINT TO AVOID VOLTAGE LOSS.

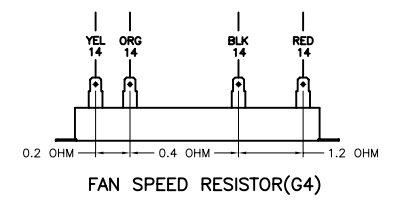
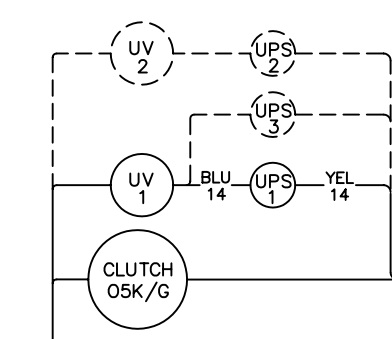
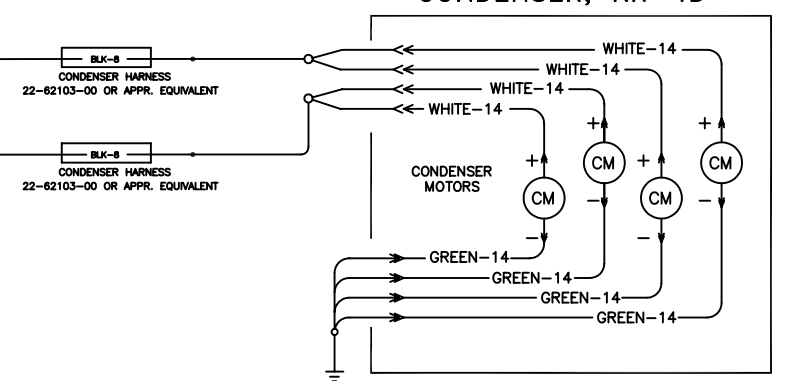


FUSES ARE REQUIRED FOR 'GSA' APPLICATION, OPTIONAL FOR STANDARD APPLICATION.



GROUND EVAPORATOR TO CHASSIS AT CLOSEST POINT TO AVOID VOLTAGE LOSS.

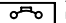

CONDENSER, KR-4D



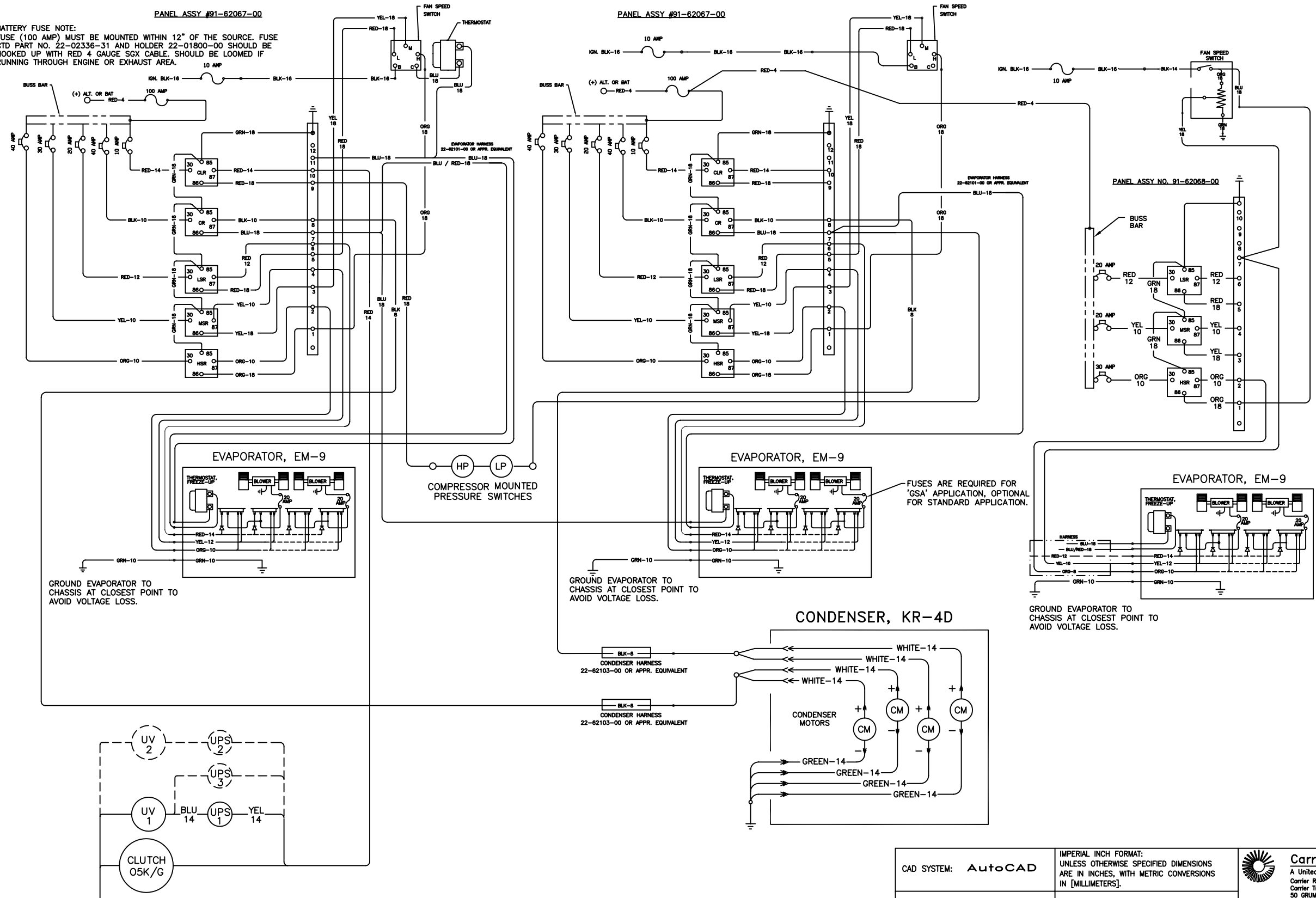
A	INITIAL RELEASE	7/17/2009	DNK	SB	68N458GP09
SYM	REVISION RECORD	DATE	BY	ENGR.	M.E.
					NPCA NO.

CAD SYSTEM: AutoCAD	IMPERIAL INCH FORMAT: UNLESS OTHERWISE SPECIFIED DIMENSIONS ARE IN INCHES, WITH METRIC CONVERSIONS IN [MILLIMETERS].	Carrier A United Technologies Company Carrier Refrigeration Operations Carrier Transport A/C 50 GRUMBACHER ROAD York, Pennsylvania 17402 USA
THIRD ANGLE PROJECTION	UNLESS OTHERWISE SPECIFIED TOLERANCES ON: .00 DEC .000 DEC DEC ANG ± .04 ± .020 ± ± 2' [.0] DEC [.00] DEC DEC ±[1.0] ±[.50] ± []	
MATERIAL	SURFACES: ✓ AA HOLE DIA: ±.005 ±[.13] HOLE SPACING: ±.015 ±[.38] NON-CUMULATIVE HOLE LOC: ±.03 ±[.8]	TITLE: WIRE DIAGRAM
	DIMENSIONS IN (PARENTHESIS) ARE FOR INFORMATION ONLY. TOLERANCES DO NOT APPLY.	SIZE: D DRAWING NO: 98-62723 REV: A
	WEIGHT: _____ MFG/PURCH: MFG	EM-9 KR-4 24V SHEET 4 OF
		NEXT DRAWING: NONE SCALE: 1:2

REV 98-62723 DWG NO 98-62723

CIRCUIT BREAKER IDENTIFICATION
 TYPE II - MANUAL RESET - RESETS WHEN EXTERNAL BUTTON IS PUSHED.
 TYPE I - RESETS WHEN OVERCURRENT IS CORRECTED OR REMOVED.

BATTERY FUSE NOTE:
 FUSE (100 AMP) MUST BE MOUNTED WITHIN 12" OF THE SOURCE. FUSE CTD PART NO. 22-02336-31 AND HOLDER 22-01800-00 SHOULD BE HOOKED UP WITH RED 4 GAUGE SGX CABLE. SHOULD BE LOOMED IF RUNNING THROUGH ENGINE OR EXHAUST AREA.

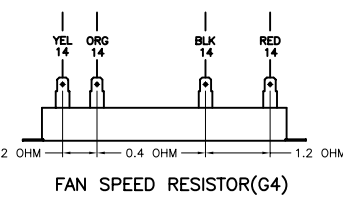


GROUND EVAPORATOR TO CHASSIS AT CLOSEST POINT TO AVOID VOLTAGE LOSS.


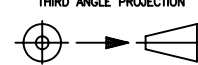
GROUND EVAPORATOR TO CHASSIS AT CLOSEST POINT TO AVOID VOLTAGE LOSS.

GROUND EVAPORATOR TO CHASSIS AT CLOSEST POINT TO AVOID VOLTAGE LOSS.

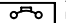

FUSES ARE REQUIRED FOR 'GSA' APPLICATION, OPTIONAL FOR STANDARD APPLICATION.



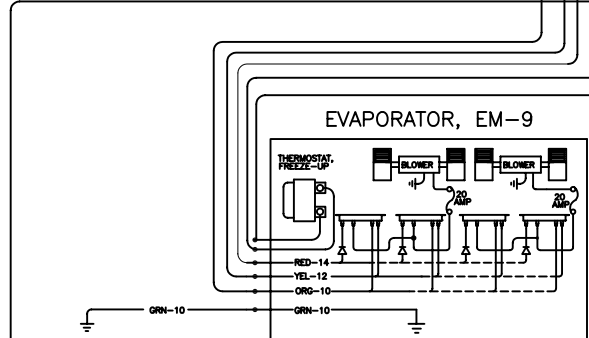
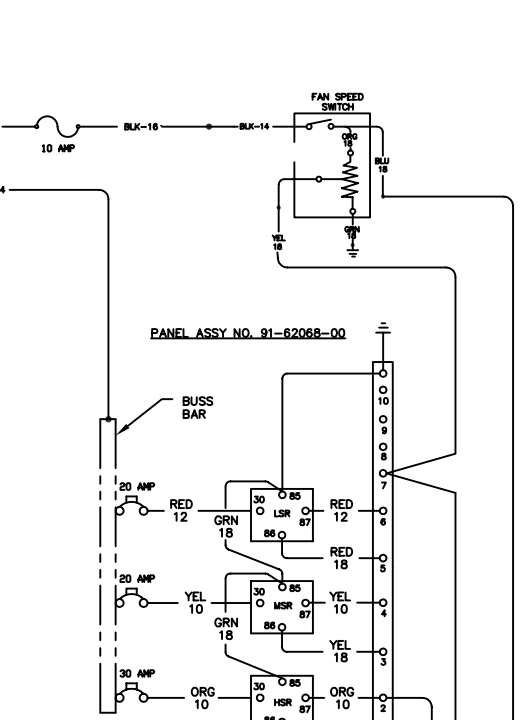
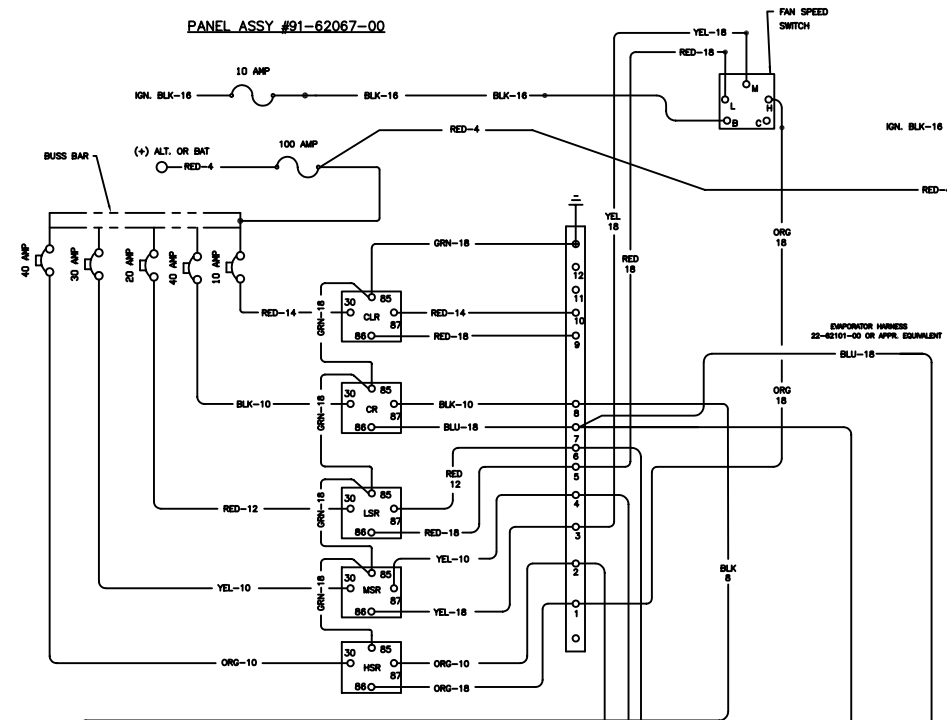
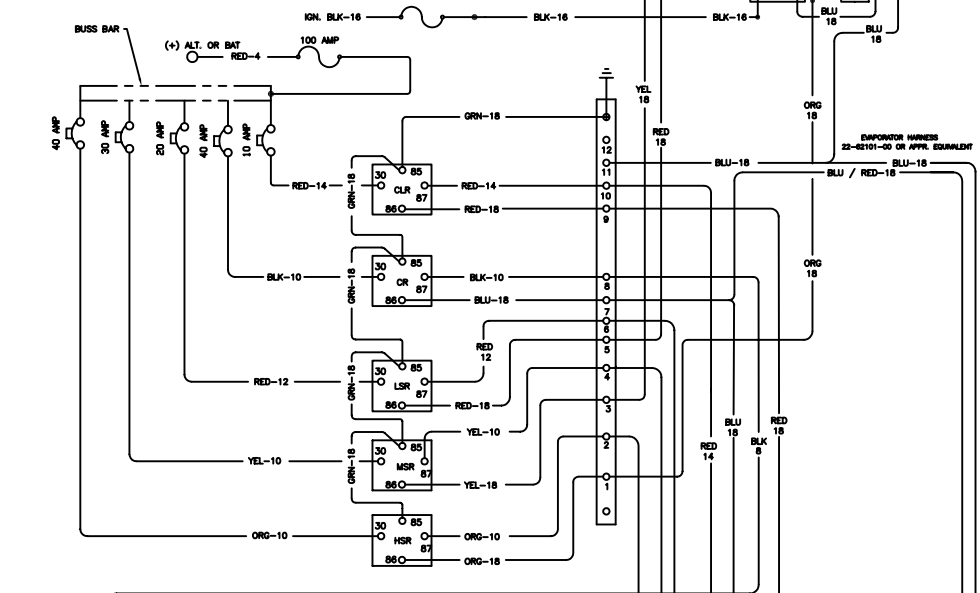
A	INITIAL RELEASE	7/17/2009	DNK	SB	68N458GP09
SYM	REVISION RECORD	DATE	BY	ENGR.	M.E.
					NPCA NO.

CAD SYSTEM: AutoCAD	IMPERIAL INCH FORMAT: UNLESS OTHERWISE SPECIFIED DIMENSIONS ARE IN INCHES, WITH METRIC CONVERSIONS IN [MILLIMETERS].	 Carrier A United Technologies Company Carrier Refrigeration Operations Carrier Transport A/C 50 GRUMBACHER ROAD York, Pennsylvania 17402 USA			
THIRD ANGLE PROJECTION 	UNLESS OTHERWISE SPECIFIED TOLERANCES ON: .00 DEC .000 DEC DEC ANG ± .04 ± .020 ± ± 2' [.0] DEC [.00] DEC DEC ±[1.0] ±[.50] ± []				
MATERIAL	SURFACES ✓ AA	HOLE DIA. ± .005 ±[.13]	HOLE SPACING ± .015 ±[.38]	HOLE LOC ± .03 ±[.8]	THIS DOCUMENT AND THE INFORMATION CONTAINED THEREIN IS PROPRIETARY TO CARRIER CORPORATION AND SHALL NOT BE USED OR DISCLOSED TO OTHERS, IN WHOLE OR IN PART, WITHOUT THE WRITTEN AUTHORIZATION OF CARRIER CORPORATION. TITLE WIRE DIAGRAM EM-9 KR-4 24V SIZE DRAWING NO. 98-62723 REV A SHEET 3 OF NEXT DRAWING 4 SCALE 1:2
DIMENSIONS IN (PARENTHESIS) ARE FOR INFORMATION ONLY. TOLERANCES DO NOT APPLY.		WEIGHT _____ MFG/PURCH _____ MFG		PRINT DISTRIBUTION	

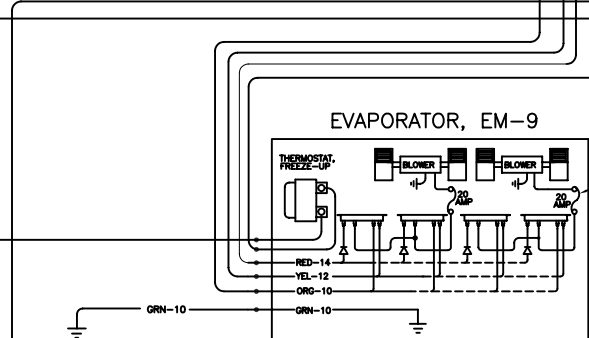
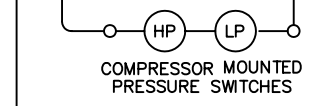
REV A 98-62723 DWG NO 98-62723 COMMODITY CODE

CIRCUIT BREAKER IDENTIFICATION
 TYPE II - MANUAL RESET - RESETS WHEN EXTERNAL BUTTON IS PUSHED.
 TYPE I - RESETS WHEN OVERCURRENT IS CORRECTED OR REMOVED.

PANEL ASSY #91-62067-00
BATTERY FUSE NOTE:
 FUSE (100 AMP) MUST BE MOUNTED WITHIN 12" OF THE SOURCE. FUSE CTD PART NO. 22-02336-31 AND HOLDER 22-01800-00 SHOULD BE HOOKED UP WITH RED 4 GAUGE SGX CABLE. SHOULD BE LOOMED IF RUNNING THROUGH ENGINE OR EXHAUST AREA.

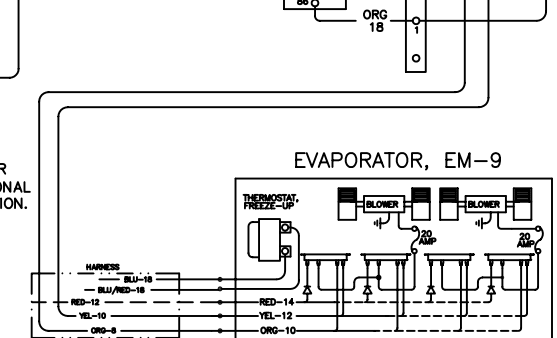


GROUND EVAPORATOR TO CHASSIS AT CLOSEST POINT TO AVOID VOLTAGE LOSS.

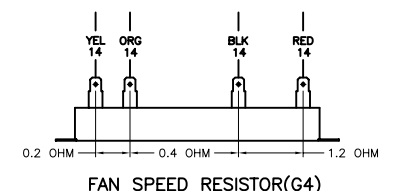
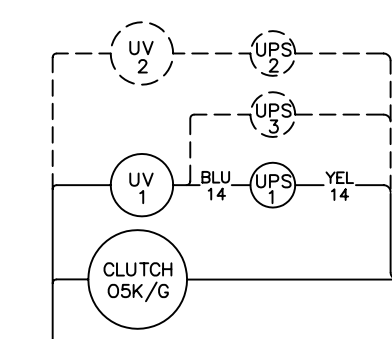
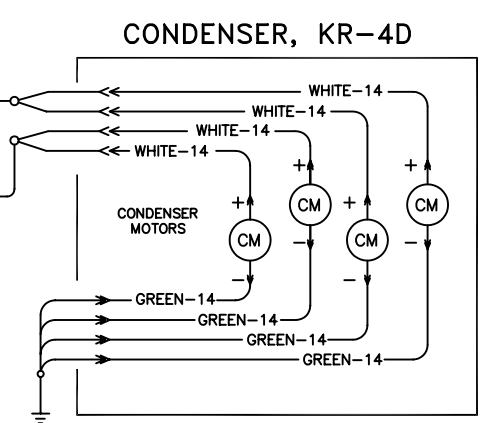


GROUND EVAPORATOR TO CHASSIS AT CLOSEST POINT TO AVOID VOLTAGE LOSS.

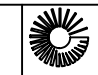
FUSES ARE REQUIRED FOR 'GSA' APPLICATION, OPTIONAL FOR STANDARD APPLICATION.

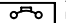



GROUND EVAPORATOR TO CHASSIS AT CLOSEST POINT TO AVOID VOLTAGE LOSS.

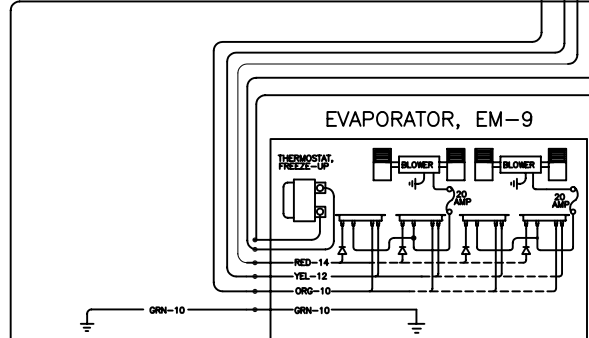
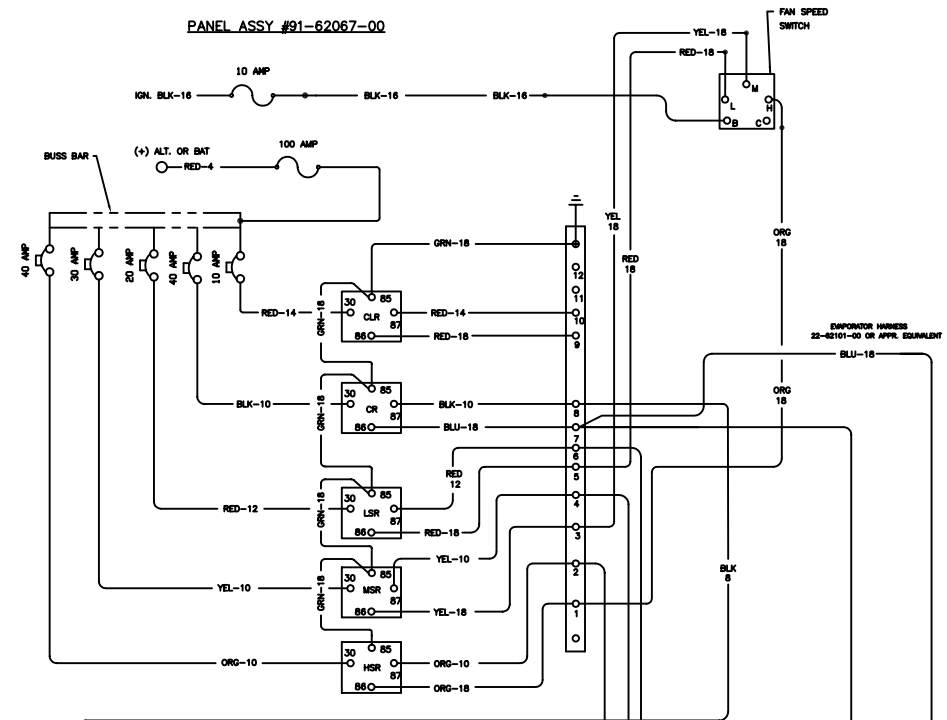
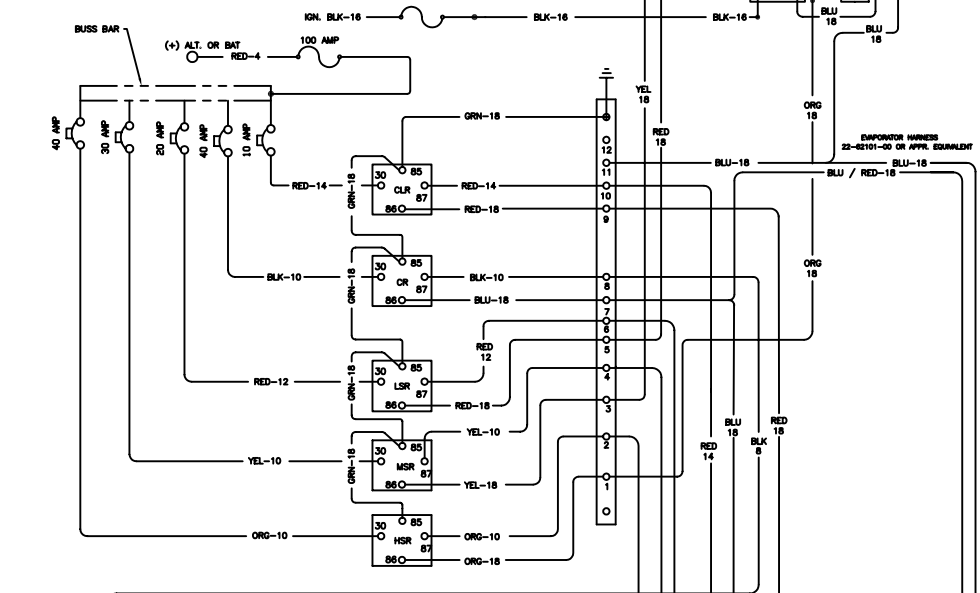


A	INITIAL RELEASE	7/17/2009	DNK	SB	68N458GP09
SYM	REVISION RECORD	DATE	BY	ENGR.	M.E.
					NPCA NO.

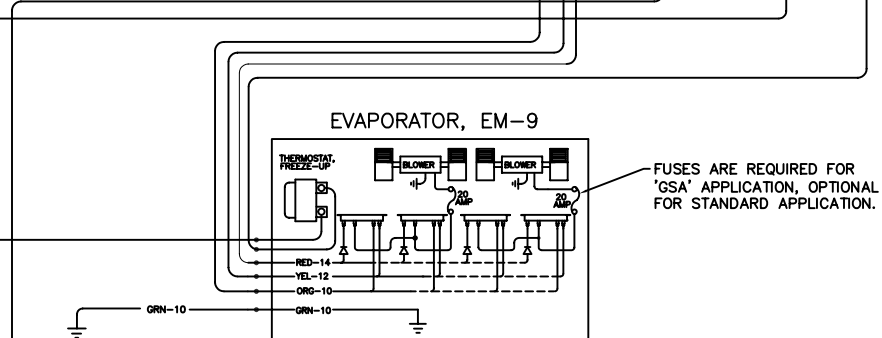
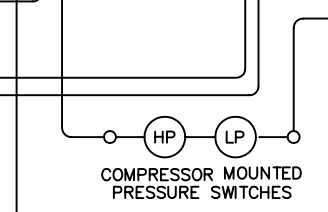
CAD SYSTEM: AutoCAD	IMPERIAL INCH FORMAT: UNLESS OTHERWISE SPECIFIED DIMENSIONS ARE IN INCHES, WITH METRIC CONVERSIONS IN [MILLIMETERS].	 Carrier A United Technologies Company Carrier Refrigeration Operations Carrier Transport A/C 50 GRUMBACHER ROAD York, Pennsylvania 17402 USA
THIRD ANGLE PROJECTION	UNLESS OTHERWISE SPECIFIED TOLERANCES ON: .00 DEC .000 DEC DEC ANG ± .04 ± .020 ± ± 2° [.0] DEC [.00] DEC DEC ±[1.0] ±[.50] ± []	
MATERIAL	SURFACES: ✓ AA HOLE DIA: ±.005 ±[.13] HOLE SPACING: ±.015 ±[.38] HOLE LOC: ±.03 ±[.8]	THIS DOCUMENT AND THE INFORMATION CONTAINED THEREIN IS PROPRIETARY TO CARRIER CORPORATION AND SHALL NOT BE USED OR DISCLOSED TO OTHERS, IN WHOLE OR IN PART, WITHOUT THE WRITTEN AUTHORIZATION OF CARRIER CORPORATION.
	DIMENSIONS IN (PARENTHESIS) ARE FOR INFORMATION ONLY. TOLERANCES DO NOT APPLY.	TITLE: WIRE DIAGRAM EM-9 KR-4 24V
		SIZE: D DRAWING NO: 98-62723 REV: A
		SHEET 3 OF 4 SCALE: 1:2

CIRCUIT BREAKER IDENTIFICATION
 TYPE II MANUAL RESET—RESETS WHEN EXTERNAL BUTTON IS PUSHED.
 TYPE I—RESETS WHEN OVERCURRENT IS CORRECTED OR REMOVED.

PANEL ASSY #91-62067-00
BATTERY FUSE NOTE:
 FUSE (100 AMP) MUST BE MOUNTED WITHIN 12" OF THE SOURCE. FUSE CTD PART NO. 22-02336-31 AND HOLDER 22-01800-00 SHOULD BE HOOKED UP WITH RED 4 GAUGE SGX CABLE. SHOULD BE LOOMED IF RUNNING THROUGH ENGINE OR EXHAUST AREA.



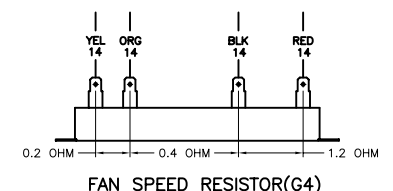
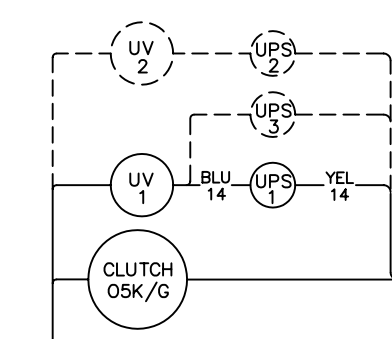
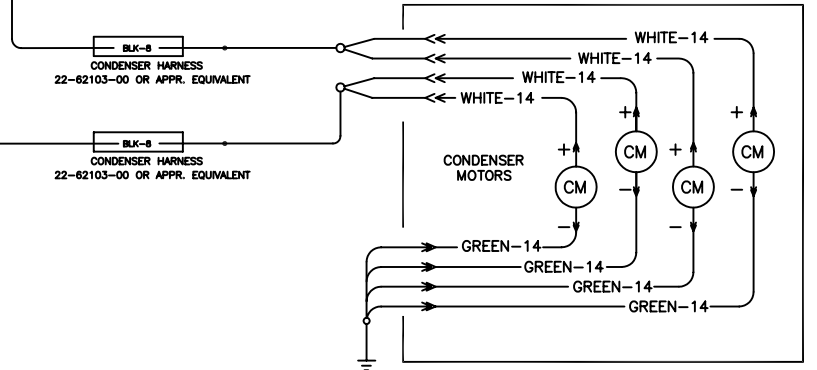
GROUND EVAPORATOR TO CHASSIS AT CLOSEST POINT TO AVOID VOLTAGE LOSS.



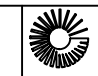
FUSES ARE REQUIRED FOR 'GSA' APPLICATION, OPTIONAL FOR STANDARD APPLICATION.

GROUND EVAPORATOR TO CHASSIS AT CLOSEST POINT TO AVOID VOLTAGE LOSS.

CONDENSER, KR-4D



A	INITIAL RELEASE	7/17/2009	DNK	SB	68N458GP09
SYM	REVISION RECORD	DATE	BY	ENGR.	M.E.
					NPCA NO.

CAD SYSTEM: AutoCAD	IMPERIAL INCH FORMAT: UNLESS OTHERWISE SPECIFIED DIMENSIONS ARE IN INCHES, WITH METRIC CONVERSIONS IN [MILLIMETERS].	 Carrier A United Technologies Company Carrier Refrigeration Operations Carrier Transport A/C 50 GRUMBACHER ROAD York, Pennsylvania 17402 USA
THIRD ANGLE PROJECTION	UNLESS OTHERWISE SPECIFIED TOLERANCES ON: .00 DEC .000 DEC DEC ANG ± .04 ± .020 ± ± 2' [.0] DEC [.00] DEC DEC ±[1.0] ±[.50] ± []	
MATERIAL	SURFACES: ✓ AA HOLE DIA: ±.005 ±[.13] HOLE SPACING: ±.015 ±[.38] HOLE LOC: ±.03 ±[.8] NON-CUMULATIVE	THIS DOCUMENT AND THE INFORMATION CONTAINED THEREIN IS PROPRIETARY TO CARRIER CORPORATION AND SHALL NOT BE USED OR DISCLOSED TO OTHERS, IN WHOLE OR IN PART, WITHOUT THE WRITTEN AUTHORIZATION OF CARRIER CORPORATION. TITLE: WIRE DIAGRAM EM-9 KR-4 24V SIZE: D DRAWING NO: 98-62723 REV: A SHEET 4 OF NEXT DRAWING: NONE SCALE: 1:2

A REV 98-62723 DWG NO 98-62723 COMMODITY CODE