

Bill of Materials Listing

TransArctic Canada Inc.

12/22/2016

Page 1 of 1

Product Number		Description	Bin	Date	Weight	Uof M	Yield
Line	Component Prod#	Description		Unit	Qty		
KMC96694		Mt Kit, ISL, HDX, TM-55/65,24V,'16		8/10/2016	111.17		0
10	BEL32388	Belt, Banded B gr, 2388mm (94")		each	1		
20	BMC83123	Bkt, Main, Idler, Weldm't, ISL, HDX, '13		each	1		
30	BMC83125	Bkt, Weldm't, Adapter Pl, ISL, HDX, '13		each	1		
40	BMC83129	Bkt, Weldm't, Main Base, ISL, HDX, '13		each	1		
50	KCB65501	Kit, Compressor, P/S, Alt, TM-65/55, '16		each	1		
60	KPC89022	Kit, Pulley, ISL, 8.9L, 2B/X,'13		each	1		
65	PUA05012	Pulley, Assy, Idler,B/BX gr,5", STL,Plt		each	1		
70	PUL80074	Pulley, Idler, B/S, Wide, 76d (89102)		each	1		
80	SCD21912	Spacer, Col, Drl,21.9mm x 25.4o x 12.3i		each	1		
85	SCD25412	Spacer, Col, Drl,25.4mm x 25.4o x 12.3i		each	1		
90	SLV17012	Sleeve, Pulley, 16.9o x 22.23mm x 12.32i		each	2		
100	KBC96694	Bag Kit, Fasteners, KMC96694		each	1		

Bill of Materials Listing

TransArctic Canada Inc.

8/11/2016
Page 1 of 1

Product Number	Description	Date	Weight	Uof M	Yield
Line Component Prod#	Description	Bin Unit	Qty		
KBC96694	Bag Kit, Fasteners, KMC96694		8/10/2016	2.12	0
10	BTC10035	Bolt, Hex, 10 x 1.5 x 35mm, 10.9, Plt,FT	each	3	
20	BTC12080	Bolt, Hex, 12 x 1.75 x 80mm, 10.9,Plt,FT	each	2	
30	BTQ06125	Bolt, Hex, 3/8-16unc, 1.25", 8, Plt	each	5	
40	BTQ08125	Bolt, Hex, 1/2-13unc, 1.25", 8, Plt	each	2	
50	BTQ08151	Bolt, Hex, 1/2-20unf, 1.5", 8, Plt	each	2	
60	CSF08101	Capscrew, FH, 1/2-20unf x 1.0",Alloy,Plt	each	4	
70	NTA10000	Nut, Hex, 10 x 1.5, 8.8, Plt	each	3	
80	NTA12000	Nut, Hex, 12 x 1.75, 8.8, Plt	each	2	
90	NTQ06000	Nut, Hex, 3/8-16unc, 8, Plt	each	5	
100	WFA10000	Washer, Flat, 10mm, 8.8, Plt	each	6	
110	WFA12000	Washer, Flat, 12mm, 8.8, Plt	each	2	
120	WFAQ08000	Washer, Flat, 1/2", 8, Plt	each	4	
130	WFS06002	Washer, Flat, 3/8", L9, Plt	each	10	
140	WLA10000	Washer, Lock, 10mm, 8.8, Plt	each	3	
150	WLA12000	Washer, Lock, 12mm, 8.8, Plt	each	2	
160	WLQ06000	Washer, Lock, 3/8", 8, Plt	each	5	
170	WLQ08000	Washer, Lock, 1/2", 8, Plt	each	4	

Bill of Materials Listing

TransArctic Canada Inc.

2/4/2022
Page 1 of 1

Product Number	Date	Description		Uof M	Weight	Yield
Line	Qty	Component Prod#	Rev#	Description	Bin	Unit
KCB65501	08/10/16	2 Kit, Compressor, P/S, Alt, TM-65/55, '16			166.11	0
10	2	BMN80008	1	Vibration Isolator, Bar, 16.50 x 2 x 1.50		each
20	1	BMN80025	0	Bkt, Back, PL, Slide, IC, RE300		each
30	1	BMZ00043	3	Bkt, Main, Base Pl, '13		each
40	1	BTP08653		Bolt, Hex, 1/2-13unc, 6.5", 5, Plt, FT		each
50	3	BTQ08101		Bolt, Hex, 1/2-20unf, 1.00", 8, Plt		each
60	3	CSF08076		Capscrew, FH, 1/2-20unf x .75", Alloy, Plt		each
70	1	KAC65501	3	Kit, Alternator, TM-65, Curb Side, '13		each
80	1	KBT65501	0	Kit, Platform, P/S, TM-55/65, '16		each
90	3	WFQ08000		Washer, Flat, 1/2", 8, Plt		each
100	4	WLQ08000		Washer, Lock, 1/2", 8, Plt		each

Bill of Materials Listing

TransArctic Canada Inc.

2/4/2022
Page 1 of 1

Product Number	Date	Description		Uof M	Weight	Yield	
Line	Qty	Component Prod#	Rev#	Description	Bin	Unit	
KAC65501	08/10/16		3	Kit, Alternator, TM-65, Curb Side, '13		45.31	0
10	2	BEL11040		Belt, A gr, 1040mm (41")		each	
20	1	BMC90020	A	Bkt, Alt, Weldm't, Curb Side, TM65/55, '16		each	
30	2	BMT10011	0	Bkt, Tenr, Block, Offset, 3mm		each	
40	1	PUL03321	1	Pulley, ALT, Idler, 3.25"d, 2A		each	
45	1	KBA84064	0	Bag Kit, ALT Shim, KC84064, KAC65501/02		each	
47	1	SCD05513	0	Spacer, Col, Drl, 5.51mm x 25.4o x12.7i	Alley	each	
50	1	TRD08080		Threaded, Rod, 1/2-13unc x 8", 5, Plt		each	
60	1	KBA65501	0	Bag Kit, Fasteners, KAC65501		each	

NOTE:

1) Use KBA84064 "Shim bag kit", as required, to align the Alternator correctly.

Bill of Materials Listing

TransArctic Canada Inc.

2/4/2022
Page 1 of 1

Product Number	Date	Description		Uof M	Weight	Yield		
Line	Qty	Component	Prod#	Rev#	Description	Bin	Unit	
KBA65501	08/10/16	0	Bag Kit, Fasteners, KAC65501				1.45	0
10	4	BTC12035			Bolt, Hex, 12 x 1.75 x 35mm, 10.9,Plt,FT		each	
20	1	BTQ08125			Bolt, Hex, 1/2-13unc, 1.25", 8, Plt		each	
30	1	BTQ08150			Bolt, Hex, 1/2-13unc, 1.5", 8, Plt		each	
40	1	BTQ08653			Bolt, Hex, 1/2-13unc, 6.5", 8, Plt		each	
50	6	NTQ08000			Nut, Hex, 1/2-13unc, 8, Plt		each	
60	4	WFA12000			Washer, Flat, 12mm, 8.8, Plt		each	
70	3	WFQ08000			Washer, Flat, 1/2", 8, Plt		each	
80	4	WLA12000			Washer, Lock, 12mm, 8.8, Plt		each	
90	4	WLQ08000			Washer, Lock, 1/2", 8, Plt		each	

Bill of Materials Listing

TransArctic Canada Inc.

2/4/2022
Page 1 of 1

Product Number	Date	Description			Uof M	Weight	Yield	
Line	Qty	Component	Prod#	Rev#	Description	Bin	Unit	
KBA84064	10/19/21	0			Bag Kit, ALT Shim, KC84064, KAC65501/02		0.09	0
10	1	SCD03613		0	Spacer, Col, Drl, 3.56mm x 25.4o x12.7i	Alley	each	
20	2	WFA14000			Washer, Flat, 14mm, 8.8, Plt		each	
30	2	WFQ08000			Washer, Flat, 1/2", 8, Plt		each	

NOTE:

1) Use (1) SCD03613, (2) WFA14000, (2) WFQ08000, in any arrg'mt/qtys as required to align the Alternator correctly.

Bill of Materials Listing

TransArctic Canada Inc.

8/11/2016
Page 1 of 1

Product Number		Description	Bin	Date	Weight	Uof M	Yield
Line	Component Prod#	Description		Unit	Qty		
KBT65501		Kit, Platform, TM-55/65, '16		8/10/2016	17.04		0
10	BMN80031	Bkt, Main, Slide, Assy, 05K, IC, RE300		each	1		
20	BMZ00039	Bkt, Comp, Rear, TM-65, '12		each	1		
30	BMZ00040	Bkt, Comp, FRT, TM-65, '12		each	1		
40	KBZ65501	Bag Kit, Fasteners, KBT65501		each	1		

Bill of Materials Listing

TransArctic Canada Inc.

8/11/2016
Page 1 of 1

Product Number	Description	Date	Weight	Uof M	Yield
Line Component Prod#	Description	Bin Unit	Qty		
KBZ65501	Bag Kit, Fasteners, KBT65501	8/10/2016	0.69		0
10	BTC12035				
	Bolt, Hex, 12 x 1.75 x 35mm, 10.9,Plt,FT	each	4		
20	NTP07000				
	Nut, Hex, 7/16-14unc, 5, Plt	each	4		
30	WFA12000				
	Washer, Flat, 12mm, 8.8, Plt	each	4		
40	WFN07000				
	Washer, Flat, 7/16", 2, Plt	each	4		
50	WLA12000				
	Washer, Lock, 12mm, 8.8, Plt	each	4		
60	WLQ07000				
	Washer, Lock, 7/16", 8, Plt	each	4		

Bill of Materials Listing

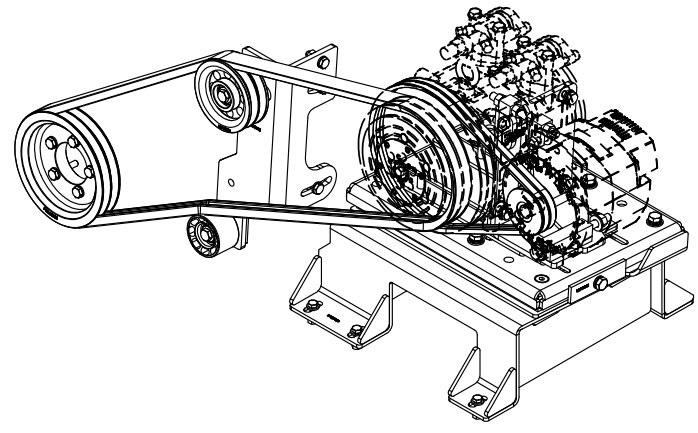
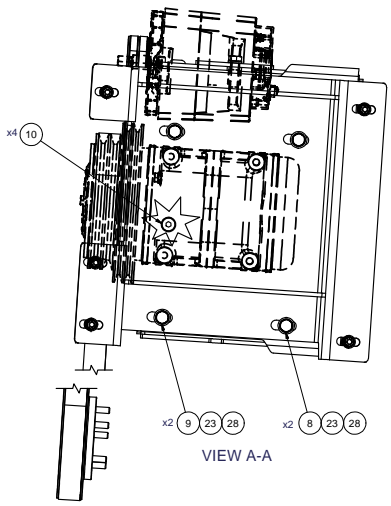
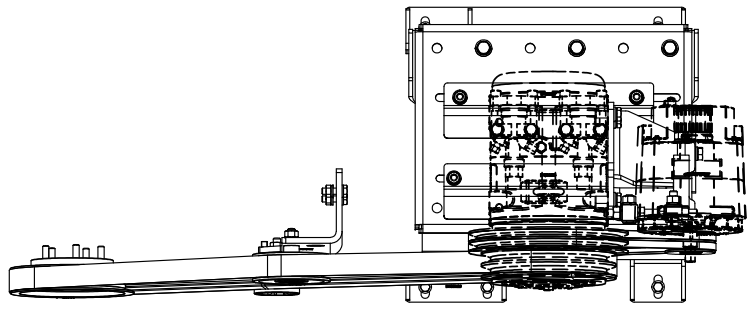
TransArctic Canada Inc.

8/11/2016

Page 1 of 1

Product Number		Description	Bin	Date	Weight	Uof M	Yield
Line	Component	Prod#	Description	Unit	Qty		
KPC89022			Kit, Pulley, ISL, 8.9L, 2B/X,'13		10/15/2013	11.51	0
10	PUL89022		Pulley, Crank, ISL, 8.9L, 2B/X, 8", '13	each	1		
20	BTC10050		Bolt, Hex, 10 x 1.5 x 50mm, 10.9, Plt	each	5		
30	WFA10000		Washer, Flat, 10mm, 8.8, Plt	each	5		

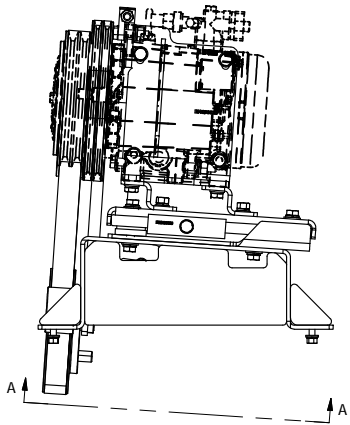
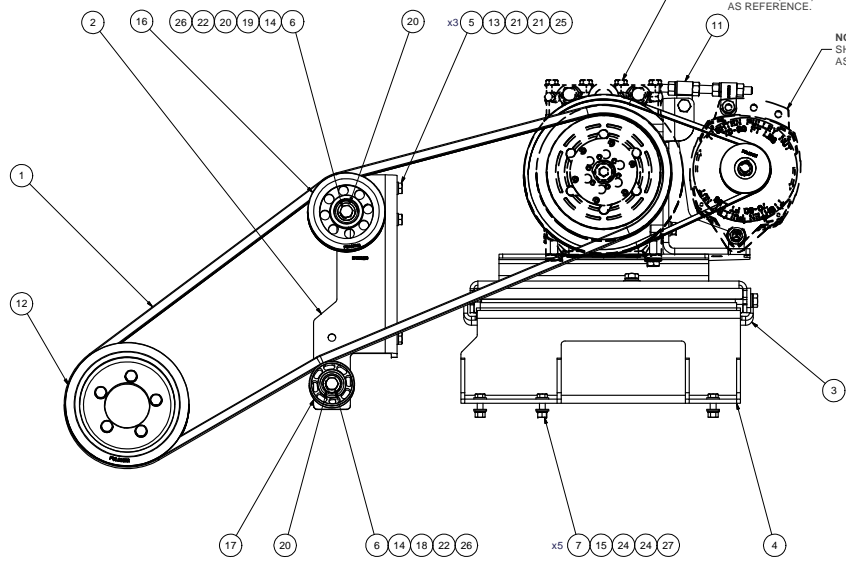
8 7 6 5 4 3 2 1



ISOMETRIC VIEW

NOTE:
SHOWING TRANSARCTIC
COMPRESSOR PART#
CMV38844 (TM-55)
CMV38844(TM-65)
AS REFERENCE.

NOTE:
— SHOWING ALTERNATOR
AS REFERENCE.



NOTES:
1) USE SERVICABLE THREADLOCKER ON ALL FASTENERS TO ENGINE COMPONENTS AND TORQUE ALL BOLTS TO S.A.E. SPECIFICATIONS.
2) SEE "TRANSARCTIC A/C COMPRESSOR MOUNT INSTALLATION DISCLAIMER".

ITEM	QTY	U/M	PART NUMBER	DESCRIPTION
28	4	EACH	WL008000	WASHER, LOCK, 1/2", 8, PLT
27	5	EACH	WL006000	WASHER, LOCK, 3/8", 8, PLT
26	2	EACH	WL120000	WASHER, LOCK, 12mm, 8, 8, PLT
25	3	EACH	WL100000	WASHER, LOCK, 10mm, 8, 8, PLT
24	10	EACH	WFS06002	WASHER, FLAT, 3/8", L9, PLT
23	4	EACH	WFO08000	WASHER, FLAT, 1/2", 8, PLT
22	2	EACH	WFA12000	WASHER, FLAT, 12mm, 8, 8, PLT
21	6	EACH	WFA10000	WASHER, FLAT, 10mm, 8, 8, PLT
20	2	EACH	SLV17012	SLEEVE, PULLEY, 16.90 x 22.23 mm x12.19l
19	1	EACH	SCD25412	SPACER, COL, DRL, 25.4mm x 25.40 x 12.3l
18	1	EACH	SCD21912	SPACER, COL, DRL, 21.9mm x 31.80 x 12.3l
17	1	EACH	PUL80074	PULLEY, IDLER, BACKSIDE, P8, 74D, 46.27W
16	1	EACH	PUA05012	PULLEY, ASSY, IDLER, B/BX gr, 5" STL, PLT
15	5	EACH	NTQ06000	NUT, HEX, 3/8-16UNC, 8, PLT
14	2	EACH	NTA12000	NUT, HEX, 12 x 1.75, 8, 8, PLT
13	3	EACH	NTA10000	NUT, HEX, 10 x 1.5, 8, 8, PLT
12	1	EACH	KPC89022	KIT, PULLEY, ISL, 8.9L, 28X, '13
11	1	EACH	KCB45501	KIT, COMPRESSOR, P/S, ALT, TM-45/55, '16
10	4	EACH	CSF08101	CAPSCREW, FH, 1/2-20UNF x 1", ALLOY, PLT
9	2	EACH	BTQ08151	BOLT, HEX, 1/2-20UNC x 1.50, 8, PLT
8	2	EACH	BTQ08125	BOLT, HEX, 1/2-13UNC x 1.25, 8, PLT
7	5	EACH	BTQ06125	BOLT, HEX, 3/8-16UNC x 1.25, 8, PLT
6	2	EACH	BTC12080	BOLT, HEX, 12 x 1.75 x 80mm, 10.9, PLT
5	3	EACH	BTC10035	BOLT, HEX, 10 x 1.5 x 35mm, 10.9, PLT
4	1	EACH	BMC83129	BKT, WELDMT, MAIN BASE, ISL, HDX, '13
3	1	EACH	BMC83125	BKT, WELDMT, ADAPTER PL, ISL, HDX, '13
2	1	EACH	BMC83123	BKT, MAIN, IDLER, WELDMT, ISL, HDX, '13
1	1	EACH	BEL32388	BELT, BANDED B gr, 2388mm (9'4")

BILL OF MATERIALS

DRAWN	J Rodriguez	8/8/2016	
CHECKED	Val Jakovlew	8/8/2016	
RELEASED TO PROTOTYPE	8/8/2016	JRK	
REVISION	DESCRIPTION	DATE	BY
			GA
			James Stewart
			MFG
			Ron Ingram
			APPROVED
			Dale Mason

TRANSARCTIC INC.

TITLE: MT KIT, ISL, 2013, HDX, TM-55/ 65, 24v, '16

SIZE: D

DWG NO: KMC96694

REV: 0

SCALE: 1:4

SHEET 1 OF 1

UNSPECIFIED TOLERANCES: ALL DIMS

ONE DECIMAL PLACE (X1) .05 (FRACTIONAL)

TWO DECIMAL PLACES (X2) .005 (FRACTIONAL)

THREE DECIMAL PLACES (X3) .002 (FRACTIONAL)

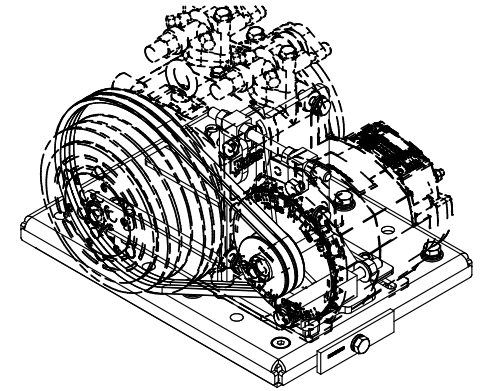
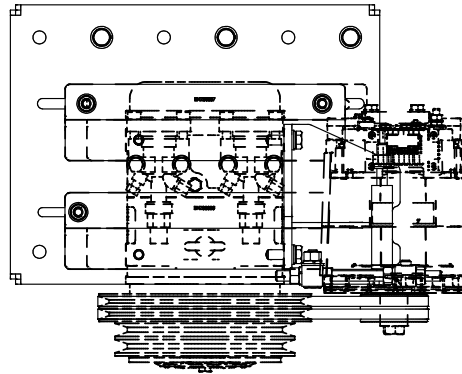
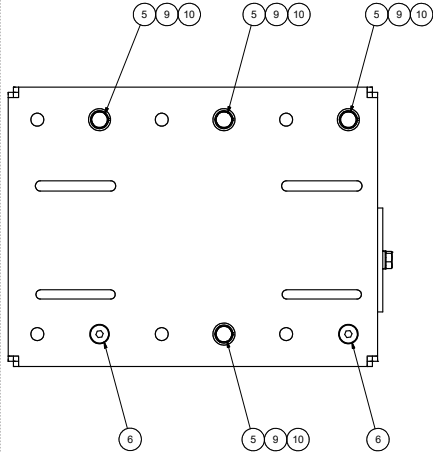
THIRD ANGLE PROJECTION

DRAWING UNIT OF MEASURE: MM (INCH)

8 7 6 5 4 3 2 1

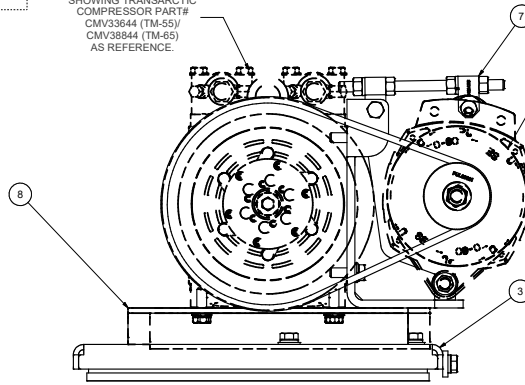
TOP VIEW

PARTS REMOVED FOR CLARITY.

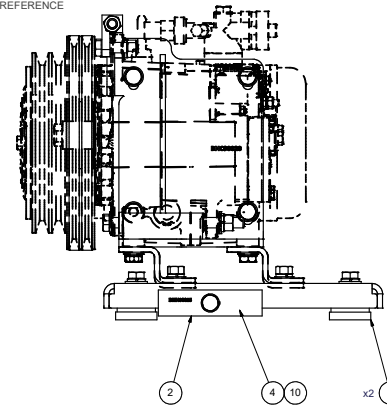


ISOMETRIC VIEW

NOTE:
SHOWING TRANSARCTIC
COMPRESSOR PART#
CMV33644 (TM-55)
CMV33844 (TM-65)
AS REFERENCE.



NOTE:
SHOWING ALTERNATOR
AS REFERENCE.



NOTES:

- 1) USE SERVICABLE THREADLOCKER ON ALL FASTENERS TO ENGINE COMPONENTS AND TORQUE **ALL** BOLTS TO S.A.E. SPECIFICATIONS.
- 2) SEE 'TRANSARCTIC A/C COMPRESSOR MOUNT INSTALLATION DISCLAIMER'.
- 3) WEIGHT: 68.75 LBS.

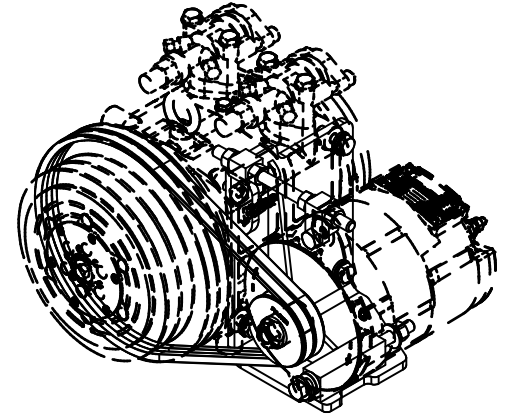
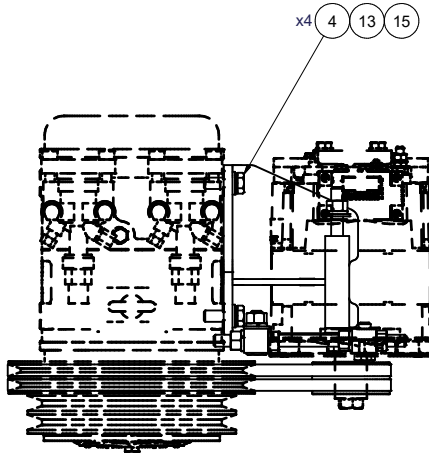
ITEM	QTY	U/M	PART NUMBER	DESCRIPTION
10	5	EACH	IWLQ08000	WASHER, LOCK, 1/2", 8, PLT
9	4	EACH	WFC08000	WASHER, FLAT, 1/2", 8, PLT
8	1	EACH	KBT65501	KIT, PLATFORM, P/S, TM-55/65, '16
7	1	EACH	KAC65501	KIT, ALTERNATOR, TM-65, CURB SIDE, '13
6	2	EACH	CSF08076	CAPSCREW, FH, 1/2-20UNF x .75", ALLOY, PLT
5	4	EACH	BTQ08101	BOLT, HEX, 1/2-20UNF x 1.00, 8, PLT
4	1	EACH	BTP08653	BOLT, HEX, 1/2-13UNC x 6.50, 5, PLT, FT
3	1	EACH	BMZ00043	BKT, MAIN, BASE PL, '13
2	1	EACH	BMN80025	BKT, BACK, PL, SLIDE, IC, RE300
1	2	EACH	BMN80008	VIBRATION ISOLATOR, BAR, 16.50 x 2 x 1.50

DRAWN				CHECKED				TITLE			
vjakowlew				8/3/2016				TRANSARCTIC INC.			
0				RELEASED TO PRODUCTION				8/3/2016			
REV:ECN				DESCRIPTION:				DATE: BY:			
1				REVISED KAC65501				11/2/2016 JBR			
0				RELEASED TO PRODUCTION				8/3/2016 JBR			
1				James Stewart				8/3/2016			
2				James Stewart				8/3/2016			
3				Dale Mason				8/3/2016			
1				KIT, COMPRESSOR, P/S, ALT, TM-65/55, '16				DWG NO			
D				KCB65501				REV			
1				1:3				1			

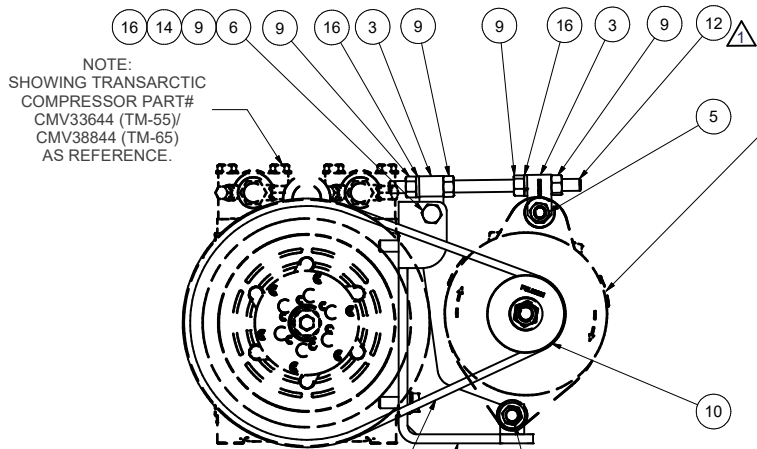
UNSPECIFIED TOLERANCES:	ALL DIMS	FINISH
ONE DECIMAL PLACE (.X)	1/16	1/32
TWO DECIMAL PLACE (.XX)	1/32	1/64
THREE DECIMAL PLACE (.XXX)	1/64	1/128
FRACTIONAL (1/16")	1/16	1/32



DRAWING UNIT OF MEASURE: MM (INCH) SCALE: 1:3 SHEET 1 OF 1

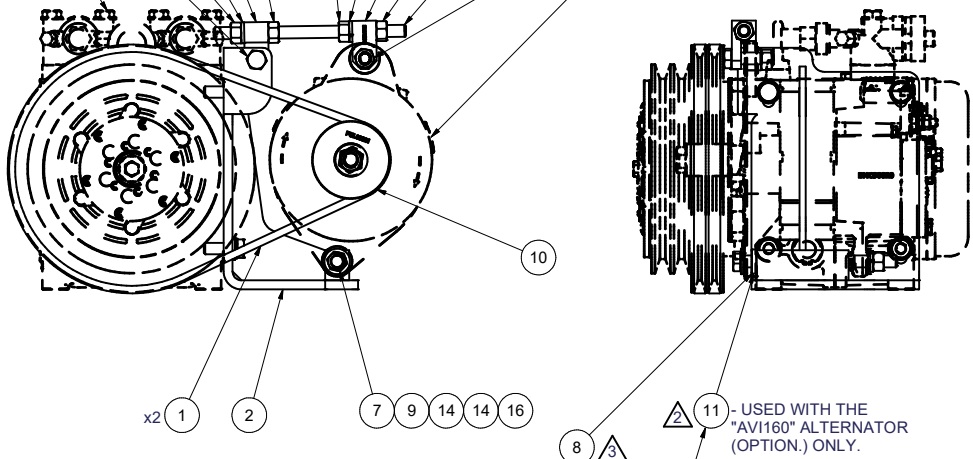


ISOMETRIC VIEW



NOTE:
SHOWING TRANSARCTIC
COMPRESSOR PART#
CMV33644 (TM-55/
CMV38844 (TM-65)
AS REFERENCE.

NOTE:
SHOWING ALTERNATOR
AS REFERENCE



USE KBA84064 SHIM KIT AS REQUIRED
TO ALIGN ALTERNATOR PULLEY TO
COMPRESSOR PULLEY "A" GROOVES.

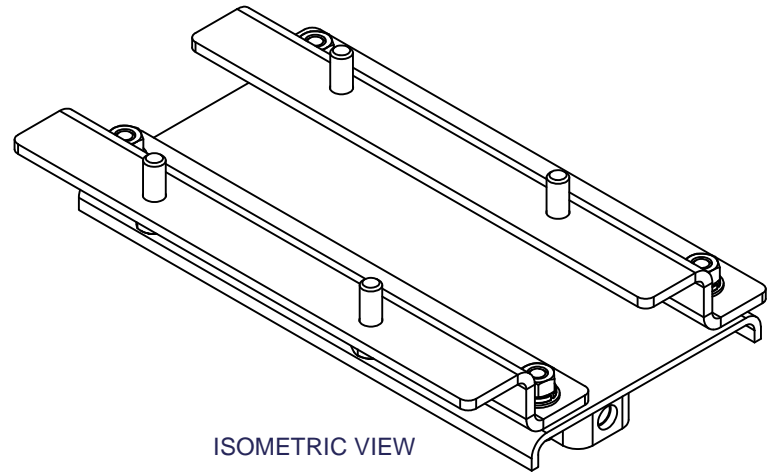
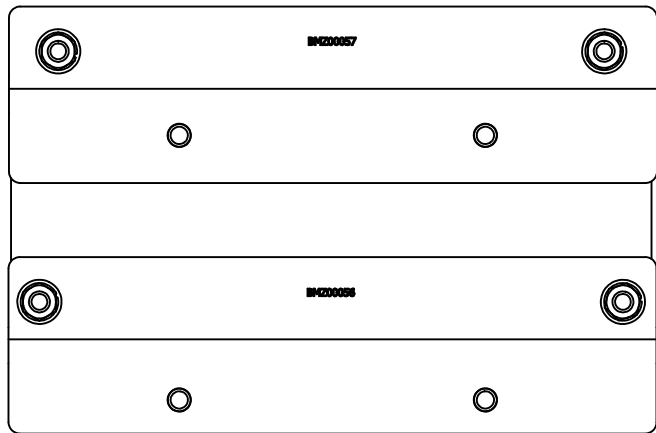
11 - USED WITH THE
"AVI160" ALTERNATOR
(OPTION.) ONLY.

- NOTES:
- 1) USE SERVICABLE THREADLOCKER ON ALL FASTENERS TO ENGINE COMPONENTS AND TORQUE **ALL** BOLTS TO S.A.E. SPECIFICATIONS.
 - 2) SEE "TRANSARCTIC A/C COMPRESSOR MOUNT INSTALLATION DISCLAIMER".
 - 3) WEIGHT: 18.11 LB

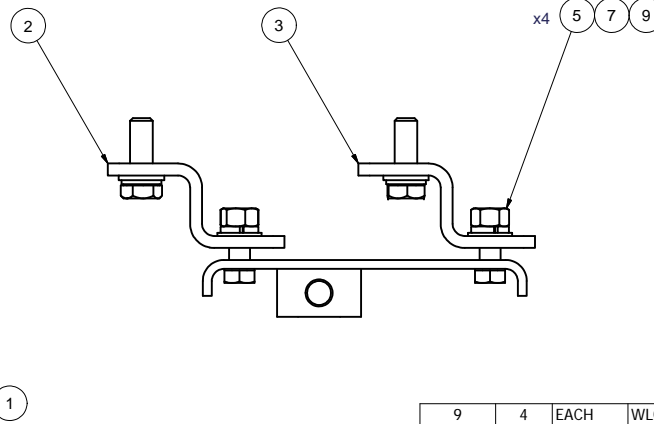
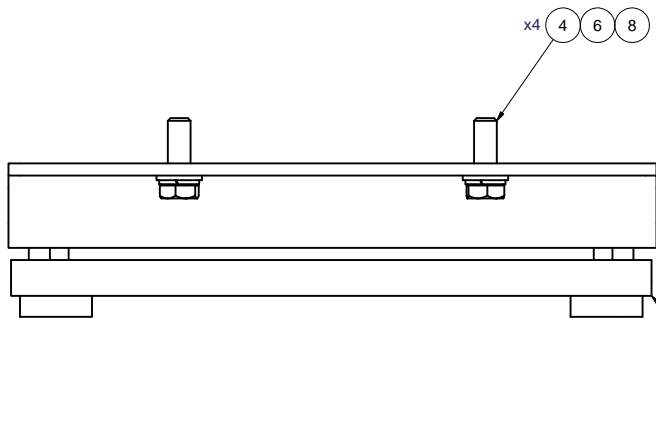
ITEM	QTY	U/M	PART NUMBER	DESCRIPTION
16	4	EACH	WLQ08000	WASHER, LOCK, 1/2", 8, PLT
15	4	EACH	WLA12000	WASHER, LOCK, 12mm, 8.8, PLT
14	3	EACH	WFO08000	WASHER, FLAT, 1/2", 8, PLT
13	4	EACH	WFA12000	WASHER, FLAT, 12mm, 8.8, PLT
12	1	EACH	TRD08080	THREADED, ROD, 1/2-13UNC x 8", 5 PLT
11	1	EACH	SCD05513	SPACER, COL, DRL, 5.51mm x 25.4o x 12.7i
10	1	EACH	PUL03321	PULLEY, ALT, IDLER, 3.25"o, 2A
9	6	EACH	NTQ08000	NUT, HEX, 1/2-13UNC, 8, PLT
8	1	EACH	KBA84064	BAG KIT, ALT SHIM, KC84064, KAC65501/02
7	1	EACH	BTQ08653	BOLT, HEX, 1/2-13UNC x 6.50, 8, PLT
6	1	EACH	BTQ08150	BOLT, HEX, 1/2-13UNC x 1.50, 8, PLT
5	1	EACH	BTQ08125	BOLT, HEX, 1/2-13UNC x 1.25, 8, PLT
4	4	EACH	BTC12035	BOLT, HEX, 12 x 1.75 x 35mm, 10.9, PLT
3	2	EACH	BMT10011	BKT, TENR, BLOCK, OFFSET, 3mm
2	1	EACH	BMC90020	BKT, ALT, WELDM'T, CURB SIDE, TM-65/55, '16
1	2	EACH	BEL11040	BELT, A gr, 1040mm (41")

BILL OF MATERIALS

3	ADDED KBA84064 SHIM BAG KIT.	02/03/2022	VALJ	
2	ADDED SCD05513.	05/11/2021	JRR	
1	WAS TRD08060, NOW TRD08080	10/2/2018	JRR	
0	RELEASED TO PRODUCTION.	8/3/2016	JRR	
REV:	ECN:	DESCRIPTION:	DATE:	BY:
THIS DRAWING CONTAINS PROPRIETARY CONFIDENTIAL INFORMATION OWNED BY TRANSARCTIC CANADA INC. THE DOCUMENT AND THE INFORMATION IN IT ARE NOT TO BE USED, DISCLOSED OR REPRODUCED WITHOUT EXPRESS WRITTEN PERMISSION OF THE COMPANY.				
UNSPECIFIED TOLERANCES: [ALT. DIM.]				
ONE DECIMAL PLACE (X) .50 [0.05] (INCH)				
TWO DECIMAL PLACE (XX) .25 [0.10]				
THREE DECIMAL PLACE (XXX) .10 [0.05]				
FRACTIONAL: +/- .002" ANGULAR: +/- .50°				
THIRD ANGLE PROJECTION				
DRAWN		08/03/16		
vjakowlew				
CHECKED				
Jose Rodriguez		08/03/16		
MFG		8/3/2016		TITLE
James Stewart		08/03/16		KIT, ALTERNATOR, TM-55/65, CURB SIDE, '13
APPROVED				
Dale Mason		08/03/16		SIZE
				C
DRAWING UNIT OF MEASURE:		MM [INCH]		DWG NO
				KAC65501
SCALE		1:4		REV
				3
SHEET		1 OF 1		



ISOMETRIC VIEW



NOTES:

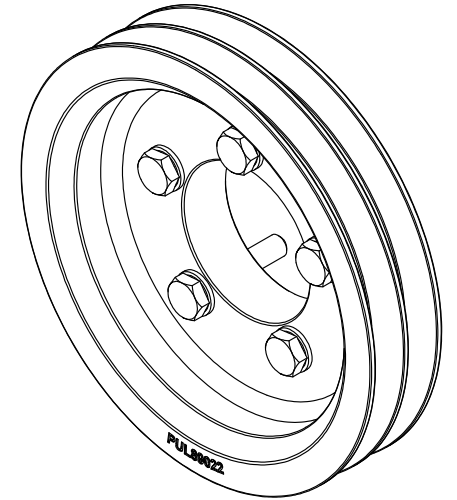
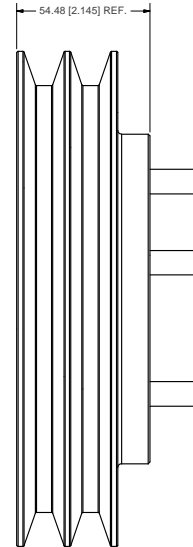
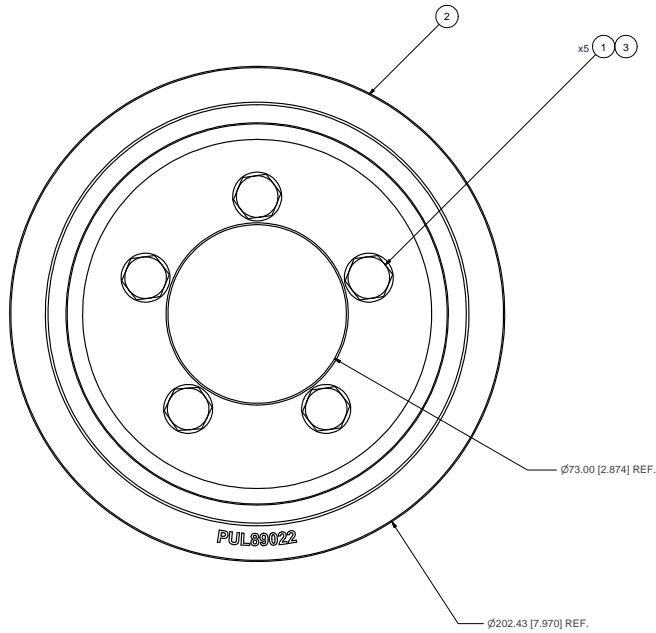
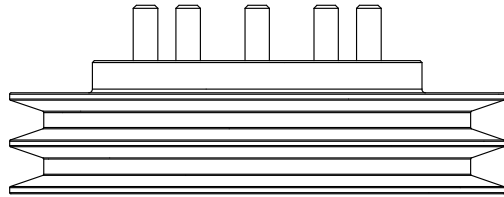
- 1) USE SERVICABLE THREADLOCKER ON ALL FASTENERS TO ENGINE COMPONENTS AND TORQUE **ALL** BOLTS TO S.A.E. SPECIFICATIONS.
- 2) SEE "TRANSARCTIC A/C COMPRESSOR MOUNT INSTALLATION DISCLAIMER".
- 3) WEIGHT: 16.47 LBS.

ITEM	QTY	U/M	PART NUMBER	DESCRIPTION
9	4	EACH	WLQ07000	WASHER, LOCK, 7/16", 8, PLT
8	4	EACH	WLA12000	WASHER, LOCK, 12mm, 8.8, PLT
7	4	EACH	WFN07000	WASHER, FLAT, 7/16", 2, PLT
6	4	EACH	WFA12000	WASHER, FLAT, 12mm, 8.8, PLT
5	4	EACH	NTP07000	NUT, HEX, 7/16-14UNC, 5, PLT
4	4	EACH	BTC12035	BOLT, HEX, 12 x 1.75 x 35mm, 10.9, PLT
3	1	EACH	BMZ00057	BKT, COMP, REAR, Z, TM-65/55, '13
2	1	EACH	BMZ00056	BKT, COMP, FRT, Z, TM-65/55, '13
1	1	EACH	BMN80031	BKT, MAIN, SLIDE, ASSY, 05K, IC, RE300

BILL OF MATERIALS

DRAWN	jrodriguez	8/8/2016	TRANSARCTIC INC.
CHECKED	Val Jakowlew	8/8/2016	
APPROVED	James Stewart	8/8/2016	
MFG	James Stewart	8/8/2016	
TITLE			KIT, PLATFORM, P/S, TM-55/65, '16
DRAWING UNIT OF MEASURE:			
SIZE	C	DWG NO	REV
SCALE	1:2	KBT65501	0
SHEET 1 OF 1			

0	-	RELEASED TO PRODUCTION	8/8/2016	JRR
REV	ECN	DESCRIPTION	DATE	BY
THIS DRAWING CONTAINS PROPRIETARY CONFIDENTIAL INFORMATION OWNED BY TRANSARCTIC CANADA INC. THE DOCUMENT AND THE INFORMATION IN IT ARE NOT TO BE USED, DISCLOSED OR REPRODUCED WITHOUT EXPRESS WRITTEN PERMISSION OF THE COMPANY.				
UNSPECIFIED TOLERANCES: (ALT. DIM.)				
ONE DECIMAL PLACE (.X)	MM	(.020)	[.020]	
TWO DECIMAL PLACE (.XX)	MM	(.010)	[.010]	
THREE DECIMAL PLACE (.XXX)	MM	(.005)	[.005]	
FRACTIONAL +/- 1/32"	ANGULAR	+/- .50°		
THIRD ANGLE PROJECTION				



ISOMETRIC VIEW

NOTES:

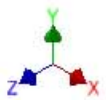
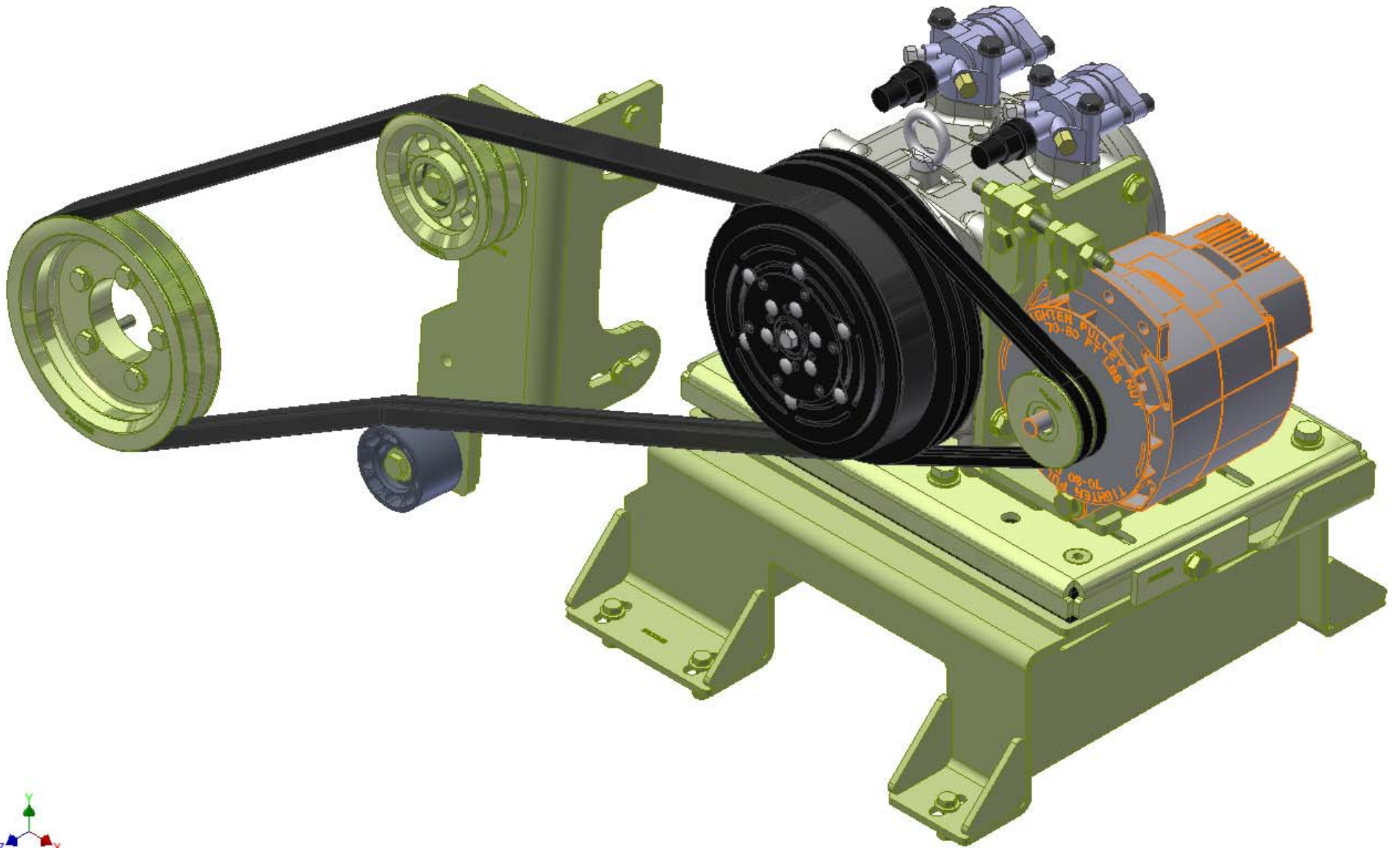
- 1) USE SERVICABLE THREADLOCKER ON ALL FASTENERS TO ENGINE COMPONENTS AND TORQUE ALL BOLTS TO S.A.E. SPECIFICATIONS.
- 2) SEE "TRANSARCTIC A/C COMPRESSOR MOUNT INSTALLATION DISCLAIMER".
- 3) WT:≈ 11.56 LBS

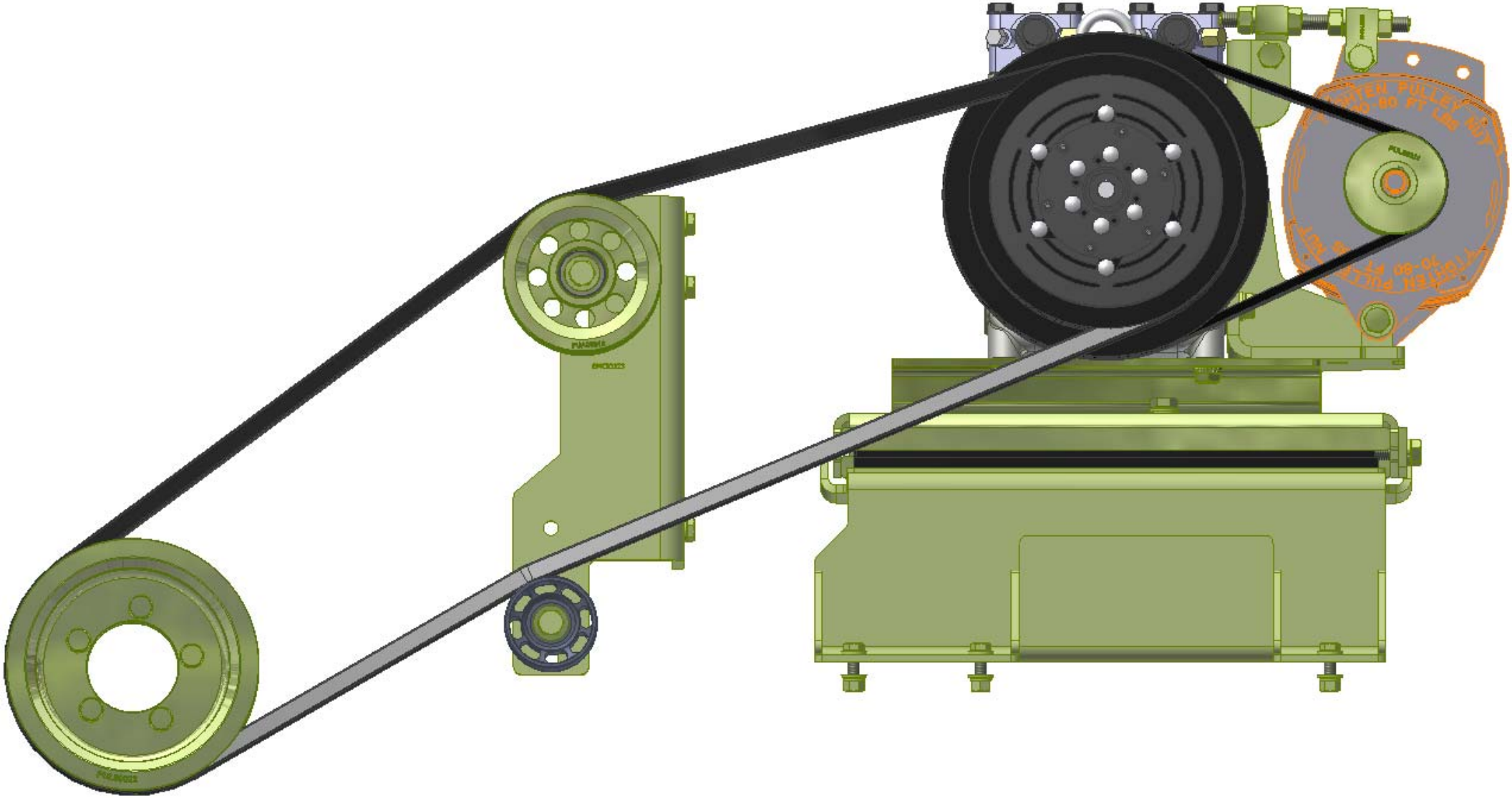
ITEM	QTY	U/M	PART NUMBER	DESCRIPTION
3	5	EACH	WFA10000	WASHER, FLAT, 10mm, 8.8, PLT
2	1	EACH	PUL89022	PULLEY, CRANK, ISL, 8.9L, 2B/X, 8", '13
1	5	EACH	BTCT0050	BOLT, HEX, 10 x 1.5 x 50mm, 10.9, PLT

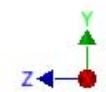
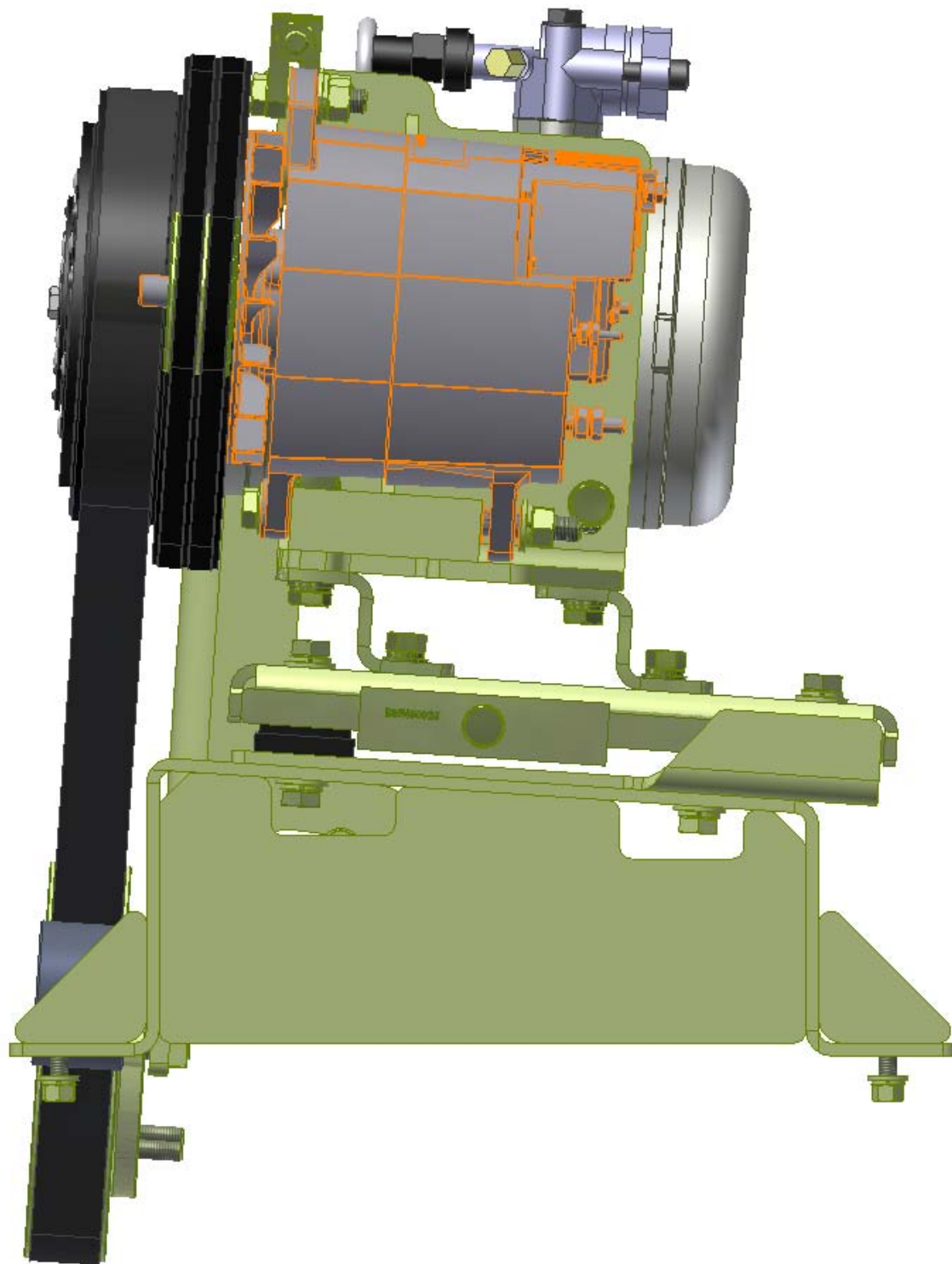
BILL OF MATERIALS

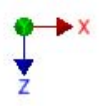
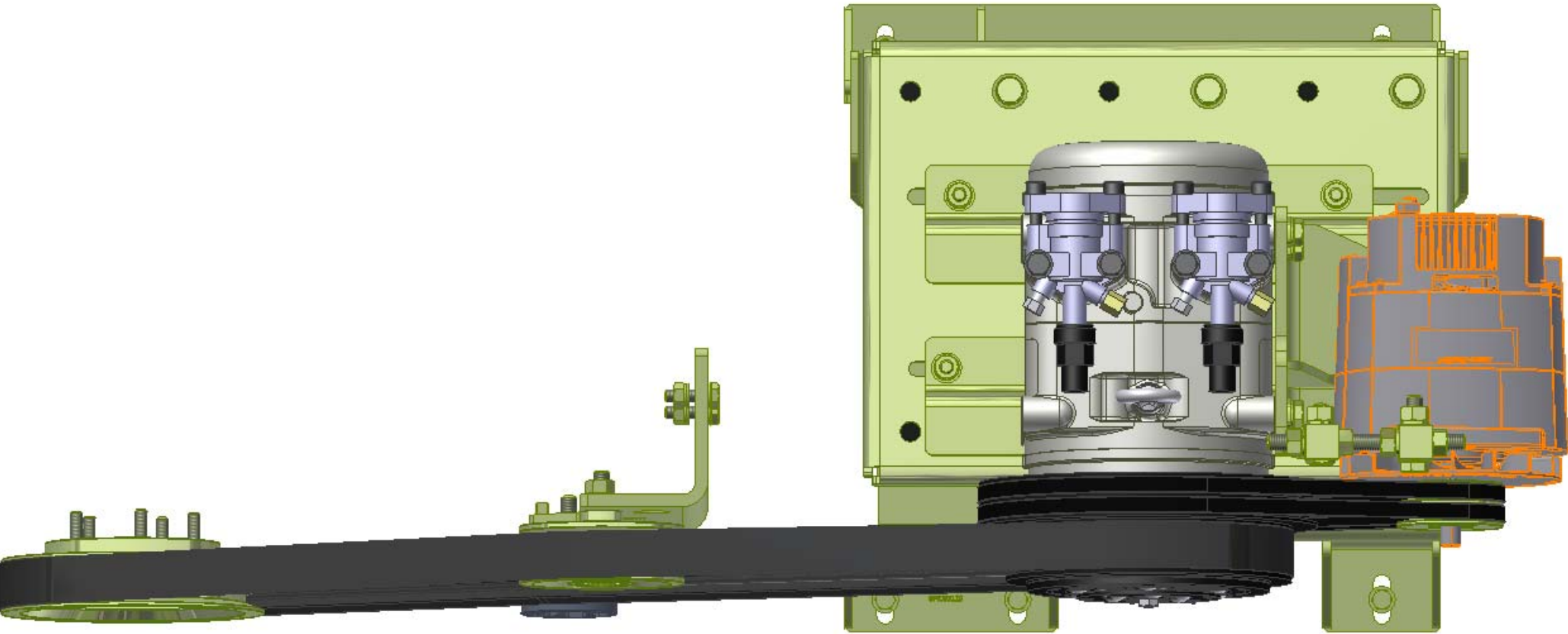
DRAWN	10/15/2013	TRANSARCTIC INC.	
CHECKED	10/15/2013		
REV	DATE		TITLE
0	10/15/2013		KIT, PULLEY, ISL, 8.9L, 2B/X, '13
DRAWN BY: jrodriquez CHECKED BY: val.jakowlew REVISED BY: James Stewart APPROVED BY: Ron Ingram DATE: Dale Mason		DWG NO D KPC89022	
UNspecified TOLERANCES: DECIMAL PLACE (X) .00 (FRACTIONAL) 1/32 ANGULAR (X) .01 (FRACTIONAL) 1/16 THIRD ANGLE PROJECTION		SCALE: 1:1 SHEET 1 OF 1	

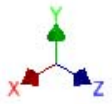
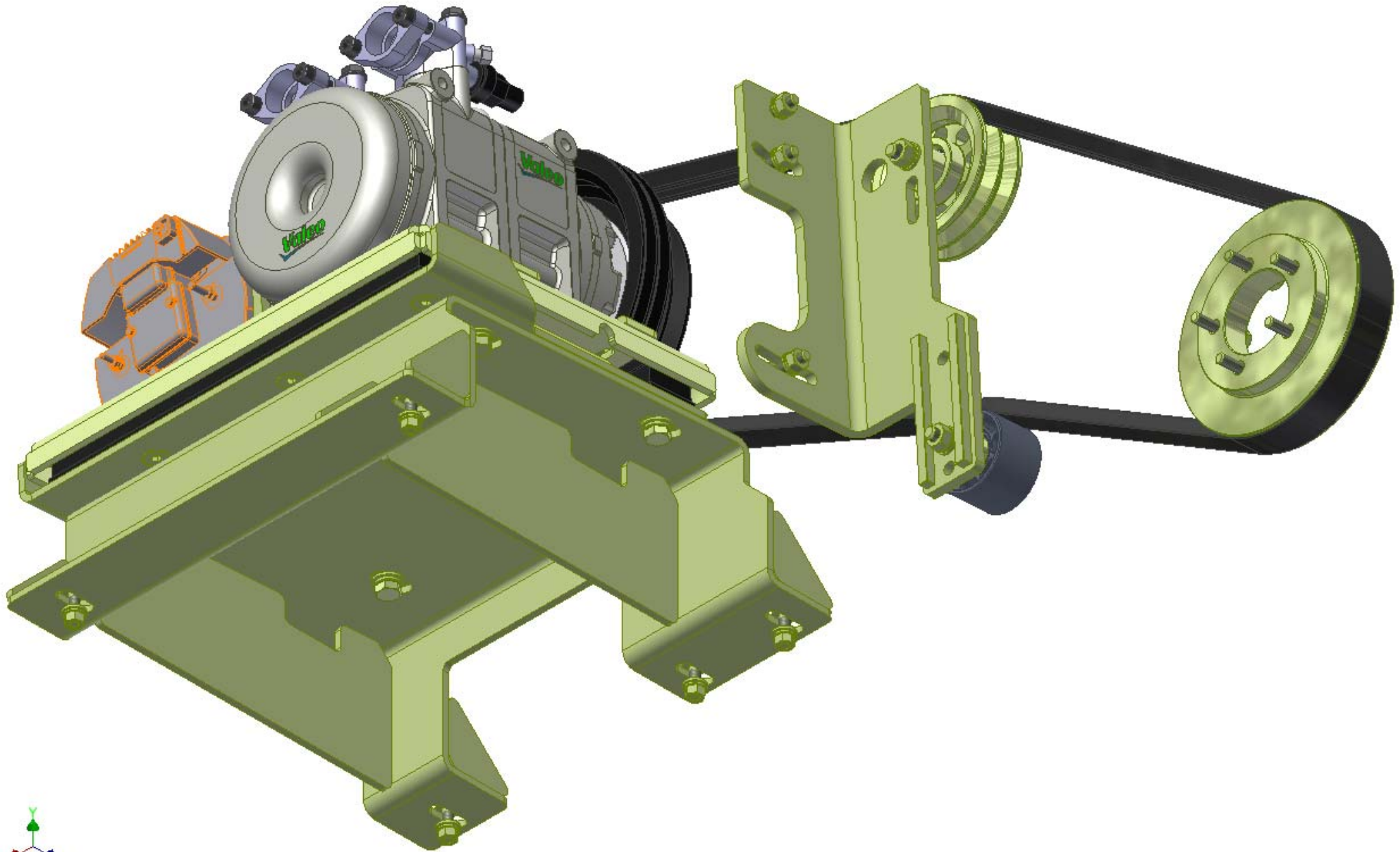
RELEASED TO PRODUCTION	10/15/2013	JRB
DESCRIPTION:	DATE:	BY:
THIS DRAWING CONTAINS PROPRIETARY CONFIDENTIAL INFORMATION OWNED BY TRANSARCTIC CANADA INC. THE DOCUMENT AND THE INFORMATION IN IT ARE NOT TO BE USED, DISCLOSED OR REPRODUCED WITHOUT EXPRESS WRITTEN PERMISSION OF THE COMPANY.		











TransArctic A/C Compressor Mount Installation Disclaimer

All compressor mounts should be installed by qualified and trained personnel using proper tools and equipment in safe working conditions following industry standard guidelines for motor vehicle service and repair.

The installer of any compressor mount purchased from TransArctic must undertake all responsibility of issues arising from that compressor bracket being installed on any vehicle. As well as insure that a **proper and sufficient ground** is established between the compressors' clutches and the vehicle's engine. Mount functionality, operation and durability can all be compromised by an incompetent installation.

Due to the many different situations, parameters and application criteria, which are beyond the compressor mount manufacturer's control, TransArctic does not warrant design, durability, or operational functionality of any compressor mount improperly installed by another party.

With no implied guarantees it is the mount installer's strict responsibility to determine safety and functionality, of the compressor mount, at the time of installation.

Please contact TransArctic with any issue arising from installation so we may better improve the product. If you have any reservations about the compressor mount integrity contact TransArctic immediately at 1-877-COLD-AIR.

Mark OEM tensioner location

Install Kit

Check for Interferences

Check to ensure that the proper OEM tensioner orientation is maintained

Run engine with A/C system engaged for at least 10 minutes to run in belt

Check OEM tensioner orientation and adjust as required

Responsabilidad limitada de TransArctic en la instalación del soporte del compresor

Todos los soportes de los compresores deben ser instalados por personas calificadas y entrenadas, usando para ello los equipos y herramientas necesarios para esta labor en buenas condiciones y según las normas y guías para el servicio y/o reparación de motores de vehículos.

El instalador de los soportes comprados en TransArctic asume toda la responsabilidad de cualquier problema que surja en el soporte del compresor al vehículo; de igual manera es responsable que el cable a tierra sea conectado entre el embrague del compresor y el motor del vehículo.

Se advierte que el buen funcionamiento y la durabilidad del soporte pueden ser comprometidos por defectos en su instalación.

Debido a las diversas situaciones que se puedan presentar fuera del control del fabricante, TransArctic no garantiza el diseño, la durabilidad o el correcto funcionamiento de cualquier equipo inapropiadamente instalado por terceros.

Esta sobreentendido que el Instalador del montaje del compresor es estrictamente responsable de la seguridad y funcionamiento del equipo en el momento de la instalación.

Si tuviera algún problema o duda acerca de la instalación del soporte del compresor pongase en contacto inmediatamente con TransArctic al teléfono 1-877-COLD-AIR de modo que podamos mejorar nuestro producto.

Note la ubicación del medidor de tensión OEM

Instale el equipo

Controlar si hay interferencias.

Asegurese que el medidor de tensión mantenga la orientación justa.

Encienda el motor por lo menos 10 minutos con el sistema A/C enganchado para que la correa corra

Controle la orientación justa del medidor de tensión y ajuste a las condiciones requeridas del fabricante