

# Bill of Materials Listing

TransArctic Canada Inc.

7/10/2017  
Page 1 of 1

Product Number	Description	Date	Weight	Uof M	Yield
Line    Component    Prod#	Description	Bin                    Unit	Qty		
<b>KMC94094</b>	<b>Mt Kit, ISL-D, HDX, 4xFC, H.Mount,'16</b>		<b>4/20/2017</b>	<b>163.47</b>	<b>0</b>
10	BEL32388		Belt, Banded B gr,2388mm (94") (RBX91-2)	each	1
20	BMC83125		Bkt, Weldm't, Adapter PI, ISL, HDX, '13	each	1
30	BMC83129		Bkt, Weldm't, Main Base, ISL, HDX, '13	each	1
40	BMC90022		Bkt, Main, Idler, Weldm't, ISL, HDX, '16	each	1
50	KCB84094		Kit, Comp, Alt, PS, 4xFC,'13	each	1
60	KPC89022		Kit, Pulley, ISL, 8.9L, 2B/X,'13	each	1
70	PUA05001		Pulley, Assy, Idler, B/S, 5", Stl, Plt	each	1
80	PUA05012		Pulley, Assy, Idler,B/BX gr,5", STL,Plt	each	1
90	SCD16012		Spacer, Col, Drl,16 mm x 34.9o x 12.3i	each	1
100	SCD21912		Spacer, Col, Drl,21.9mm x 25.4o x 12.3i	each	1
110	SLV17012		Sleeve, Pulley, 16.9o x 22.23mm x 12.32i	each	2
120	KBC94195		Bag Kit, Fasteners,KMC94195 & Others.	each	1

# Bill of Materials Listing

TransArctic Canada Inc.

6/23/2017  
Page 1 of 1

Product Number		Description	Bin	Date	Weight	Uof M	Yield
Line	Component Prod#	Description		Unit	Qty		
<b>KBC94195</b>		<b>Bag Kit, Fasteners,KMC94195 &amp; Others.</b>		<b>6/1/2016</b>	<b>2.36</b>		<b>0</b>
10	BTC10045	Bolt, Hex, 10 x 1.5 x 45mm, 10.9, Plt,FT		each	3		
20	BTC12080	Bolt, Hex, 12 x 1.75 x 80mm, 10.9,Plt,FT		each	2		
30	BTQ06175	Bolt, Hex, 3/8-16unc, 1.75", 8, Plt		each	5		
40	BTQ08125	Bolt, Hex, 1/2-13unc, 1.25", 8, Plt		each	2		
50	BTQ08151	Bolt, Hex, 1/2-20unf, 1.5", 8, Plt		each	2		
55	CSF08101	Capscrew, FH, 1/2-20unf x 1.0",Alloy,Plt		each	4		
60	NTA10000	Nut, Hex, 10 x 1.5, 8.8, Plt		each	3		
70	NTA12000	Nut, Hex, 12 x 1.75, 8.8, Plt		each	2		
80	NTQ06000	Nut, Hex, 3/8-16unc, 8, Plt		each	5		
90	WFA10002	Washer, Flat, 10mm, Hvy, 8.8, Plt		each	6		
100	WFA12002	Washer, Flat, 12mm, Hvy, 8.8, Plt		each	2		
110	WFS08000	Washer, Flat, 1/2", 8, Plt		each	4		
120	WFS06002	Washer, Flat, 3/8", L9, Plt		each	10		
130	WLA10000	Washer, Lock, 10mm, 8.8, Plt		each	3		
140	WLA12000	Washer, Lock, 12mm, 8.8, Plt		each	2		
150	WLQ06000	Washer, Lock, 3/8", 8, Plt		each	5		
160	WLQ08000	Washer, Lock, 1/2", 8, Plt		each	4		

# Bill of Materials Listing

TransArctic Canada Inc.

7/7/2017  
Page 1 of 1

Product Number	Description	Date	Weight	Uof M	Yield
Line    Component    Prod#	Description	Bin                    Unit	Qty		
<b>KCB84094</b>	<b>Kit, Comp, Alt, PS, 4xFC,'13</b>		<b>9/9/2013</b>	<b>62.57</b>	<b>0</b>
10 BEL11040	Belt, A gr, 1040mm (41")	each	2		
20 BMC83114	Bkt, PI, ALT Spacer, T3RE, '13	each	1		
30 BMN80008	Vibration Isolator, Bar,16.50 x 2 x 1.50	each	2		
40 BMN80025	Bkt, Back, PL, Slide, IC, RE300	each	1		
50 BMT10011	Bkt, Tenr, Block, Offset, 3mm	each	2		
60 BMZ00043	Bkt, Main, Base PI, '13	each	1		
70 KBT84094	Kit, Platform, PS, 4xFC, W/Alt,'13	each	1		
80 PUL03321	Pulley, ALT, Idler, 3.25"d, 2A	each	1		
90 TRD08120	Threaded, Rod, 1/2-13unc x 12", 5, Plt	each	1		
100 KBZ84094	Bag Kit, Fasteners, KCB84094	each	1		

# Bill of Materials Listing

TransArctic Canada Inc.

4/26/2017  
Page 1 of 1

Product Number	Description	Date	Weight	Uof M	Yield
Line    Component    Prod#	Description	Bin                    Unit	Qty		
<b>KBZ84094</b>	<b>Bag Kit, Fasteners, KCB84094</b>		<b>10/18/2013</b>	<b>2.42</b>	<b>0</b>
10	BTP08653		Bolt, Hex, 1/2-13unc, 6.5", 5, Plt, FT	each	1
20	BTQ08101		Bolt, Hex, 1/2-20unf, 1.00", 8, Plt	each	4
30	BTQ08150		Bolt, Hex, 1/2-13unc, 1.5", 8, Plt	each	4
40	BTQ08653		Bolt, Hex, 1/2-13unc, 6.5", 8, Plt	each	1
50	CSF08076		Capscrew, FH, 1/2-20unf x .75", Alloy, Plt	each	2
60	NTQ08000		Nut, Hex, 1/2-13unc, 8, Plt	each	7
70	WFQ08000		Washer, Flat, 1/2", 8, Plt	each	10
80	WLQ08000		Washer, Lock, 1/2", 8, Plt	each	12

# Bill of Materials Listing

TransArctic Canada Inc.

7/7/2017  
Page 1 of 1

Product Number	Description	Date	Weight	Uof M	Yield
Line    Component    Prod#	Description	Bin            Unit	Qty		
<b>KBT84094</b>	<b>Kit, Platform, PS, 4xFC, W/Alt,'13</b>		<b>9/9/2013</b>	<b>18.59</b>	<b>0</b>
10	BMC83131		Bkt, Weldm't, 4xFC W/ Alt, P-S, HDX, '13	each	1
20	BMN80031		Bkt, Main, Slide, Assy, 05K, IC, RE300	each	1
30	KBZ00010		Bag Kit, Fasteners, KBT84094/83990	each	1

# Bill of Materials Listing

TransArctic Canada Inc.

4/26/2017  
Page 1 of 1

Product Number	Description	Date	Weight	Uof M	Yield
Line    Component    Prod#	Description	Bin            Unit	Qty		
<b>KBZ00010</b>	<b>Bag Kit, Fasteners, KBT84094/83990</b>		<b>11/6/2013</b>	<b>1.23</b>	<b>0</b>
10	BTC12040		Bolt, Hex, 12 x 1.75 x 40mm, 10.9,Plt,FT	each	4
15	BTC12060		Bolt, Hex, 12 x 1.75 x 60mm, 10.9,Plt,FT	each	4
20	NTP07000		Nut, Hex, 7/16-14unc, 5, Plt	each	4
30	WFA12000		Washer, Flat, 12mm, 8.8, Plt	each	8
40	WFN07000		Washer, Flat, 7/16", 2, Plt	each	4
50	WLA12000		Washer, Lock, 12mm, 8.8, Plt	each	4
60	WLP07000		Washer, Lock, 7/16", 5, Plt	each	4

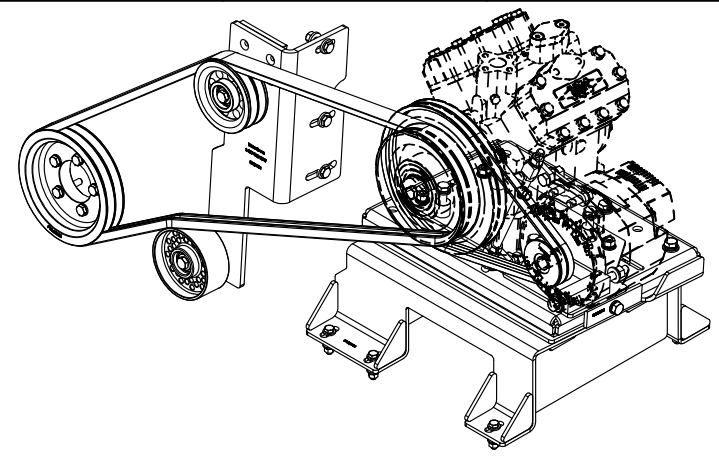
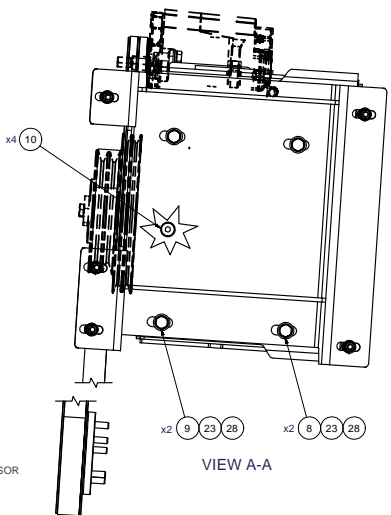
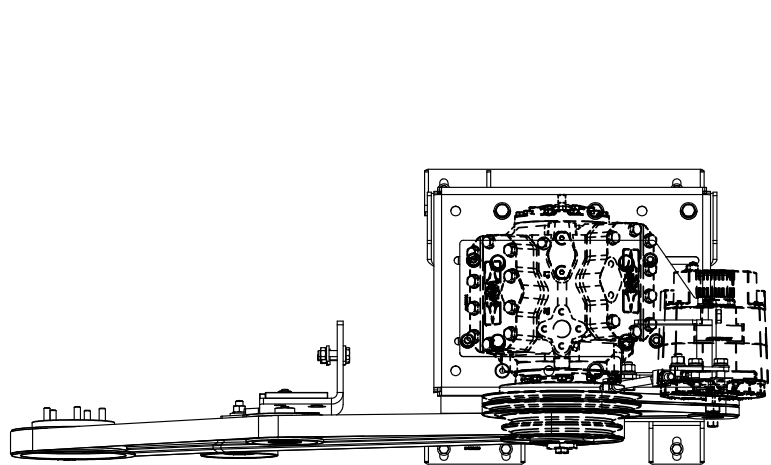
# Bill of Materials Listing

TransArctic Canada Inc.

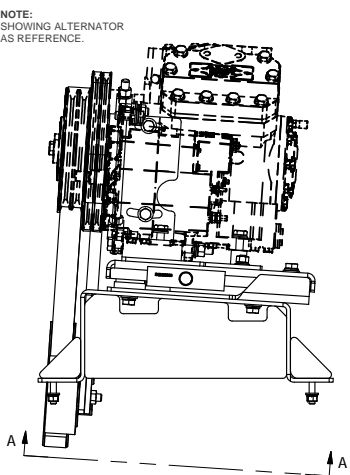
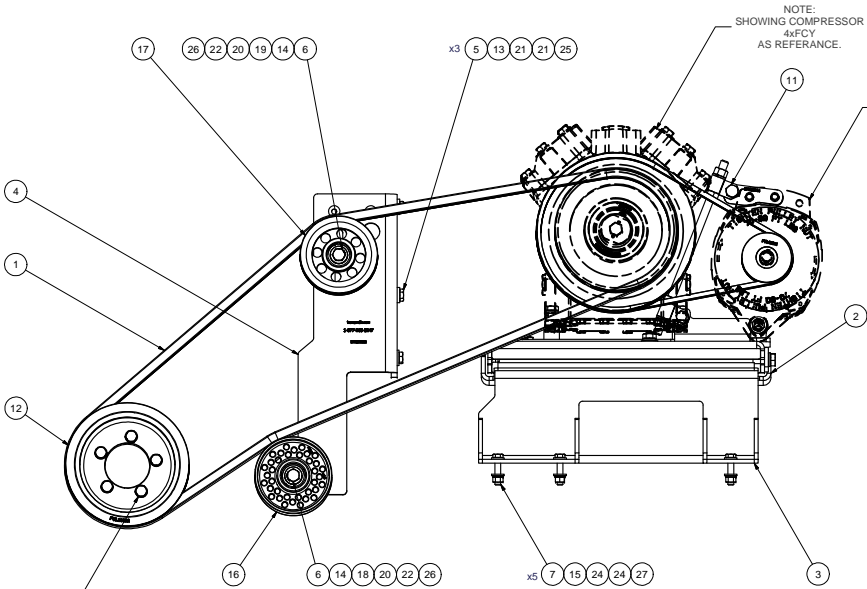
6/17/2016  
Page 1 of 1

Product Number	Description	Date	Weight	Uof M	Yield
Line    Component    Prod#	Description	Bin                    Unit	Qty		
<b>KPC89022</b>	<b>Kit, Pulley, ISL, 8.9L, 2B/X,'13</b>		<b>10/15/2013</b>	<b>11.51</b>	<b>0</b>
10	PUL89022		Pulley, Crank, ISL, 8.9L, 2B/X, 8", '13	each	1
20	BTC10050		Bolt, Hex, 10 x 1.5 x 50mm, 10.9, Plt	each	5
30	WFA10000		Washer, Flat, 10mm, 8.8, Plt	each	5

8 7 6 5 4 3 2 1



ISOMETRIC VIEW



VIEW A-A

NOTE:  
SHOWING COMPRESSOR  
KITFCY  
AS REFERENCE.

NOTE:  
SHOWING ALTERNATOR  
AS REFERENCE.

NOTE:  
TORQUE TO: 48 FT-LB PLAIN & LUBRICATED W/ CLEAN ENGINE OIL (15W-40)  
(HEXBOLT CAPSCREW M10 x 1.5 x 50mm)  
TIGHTEN IN TWO STEPS IN A CRIS-CROSS TIGHTENING SEQUENCE PATTERN.

NOTES:

- 1) USE SERVICABLE THREADLOCKER ON ALL FASTENERS TO ENGINE COMPONENTS AND TORQUE ALL BOLTS TO S.A.E. SPECIFICATIONS.
- 2) SEE "TRANSARGTIC A/C COMPRESSOR MOUNT INSTALLATION DISCLAIMER".

ITEM	QTY	U/M	PART NUMBER	DESCRIPTION
28	4	EACH	WL008000	WASHER, LOCK, 1/2", 8, PLT
27	5	EACH	WL006000	WASHER, LOCK, 3/8", 8, PLT
26	2	EACH	WL120000	WASHER, LOCK, 12mm, 8.8, PLT
25	3	EACH	WL100000	WASHER, LOCK, 10mm, 8.8, PLT
24	10	EACH	WFS06002	WASHER, FLAT, 3/8", L9, PLT
23	4	EACH	WFO80000	WASHER, FLAT, 1/2", 8, PLT
22	2	EACH	WFA12002	WASHER, FLAT, 12mm, HVY, 8.8, PLT
21	6	EACH	WFA10002	WASHER, FLAT, 10mm, HVY, 8.8, PLT
20	2	EACH	SLV17012	SLEEVE, PULLEY, 16.90 x 22.23 mm x12.19
19	1	EACH	SCD21912	SPACER, COL, DRL, 21.9mm x 31.80 x12.31
18	1	EACH	SCD16012	SPACER, COL, DRL, 16 mm x 31.80 x 12.01
17	1	EACH	PUA05012	PULLEY, ASSY, IDLER, B/BX gr, 5" STL, PLT
16	1	EACH	PUA05001	PULLEY, ASSY, IDLER, B/S, 5", STL, PLT
15	5	EACH	NTQ06000	NUT, HEX, 3/8-16UNC, 8, PLT
14	2	EACH	NTA12000	NUT, HEX, 12 x 1.75, 8.8, PLT
13	3	EACH	NTA10000	NUT, HEX, 10 x 1.5, 8.8, PLT
12	1	EACH	KPC89022	KIT, PULLEY, ISL, 8.9L, 2B/X, '13
11	1	EACH	KCB84094	KIT, COMPRESSOR, 2AV, PS, 44FC, '13
10	4	EACH	CSF08101	CAPSCREW, FH, 1/2-20UNF x 1", ALLOY, PLT
9	2	EACH	BTQ08151	BOLT, HEX, 1/2-20UNF x 1.50, 8, PLT
8	2	EACH	BTQ08125	BOLT, HEX, 1/2-13UNC x 1.25, 8, PLT
7	5	EACH	BTQ06175	BOLT, HEX, 3/8-16UNC, 1.75", 8, PLT
6	2	EACH	BTC12080	BOLT, HEX, 12 x 1.75 x 80mm, 10.9, PLT
5	3	EACH	BTC10045	BOLT, HEX, 10 x 1.5 x 45mm, 10.9, PLT
4	1	EACH	BMC90022	BKT, MAIN, IDLER, WELDMT, ISL, HDX, '16
3	1	EACH	BMC83129	BKT, WELDMT, MAIN BASE, ISL, HDX, '13
2	1	EACH	BMC83125	BKT, WELDMT, ADAPTER PL, ISL, HDX, '13
1	1	EACH	BEL32388	BELT, BANDED B gr, 2388mm (9'4")

BILL OF MATERIALS

BROWN	4/20/2017	
PRODRIGUEZ		
CHECKED		
Val Jakovlew	4/20/2017	
GA		
RELEASED TO PRODUCTION	4/20/2017	JRW
REVIEWED		
Jarvis Stewart	4/20/2017	
MFGS		
Ron Ingram	4/20/2017	
APPROVED		
Dale Mason	4/20/2017	

**TRANSARGTIC INC.**

TITLE: MT KIT, ISL-D, HDX, 4xFC, HIGH MOUNT, '16

SIZE: D DWG NO: KMC94094 REV: 0

SCALE: 1:4 SHEET 1 OF 1

UNSPECIFIED TOLERANCES: HLT .001  
 ONE DECIMAL PLACE (.X) .05 (FRACTIONAL)  
 TWO DECIMAL PLACES (.XX) .01 (FRACTIONAL)  
 THREE DECIMAL PLACES (.XXX) .005 (FRACTIONAL)  
 ANGULAR .1°

THIRD ANGLE PROJECTION

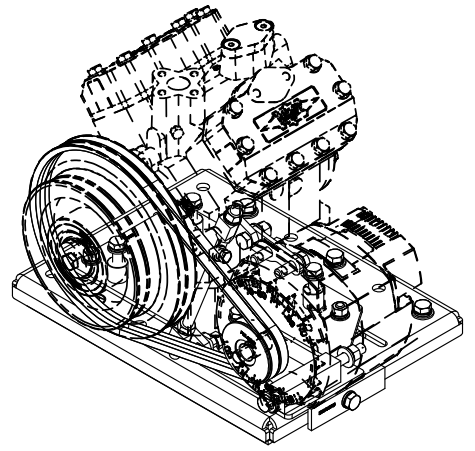
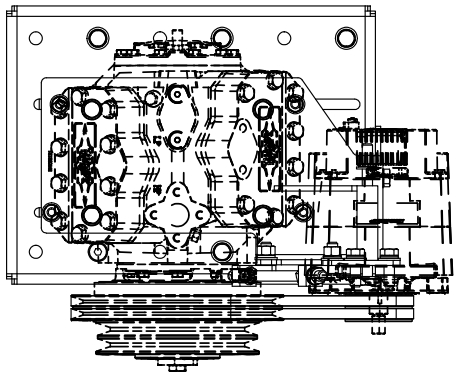
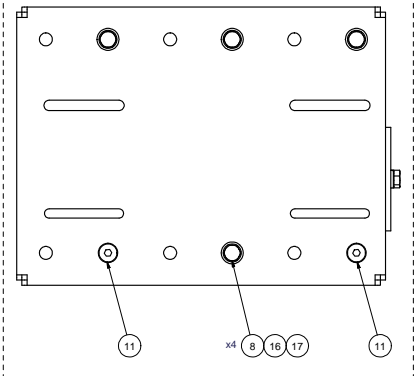
DRAWING UNIT OF MEASURE: MM (INCH)

8 7 6 5 4 3 2 1



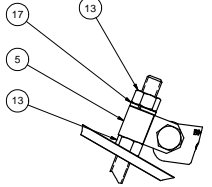
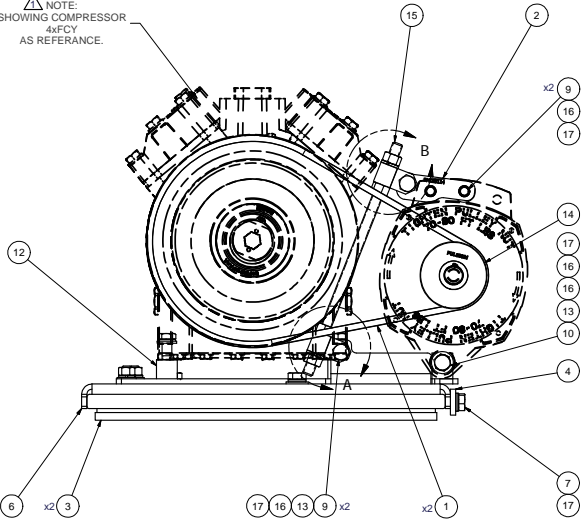
**TOP VIEW**

PARTS REMOVED FOR CLARITY.

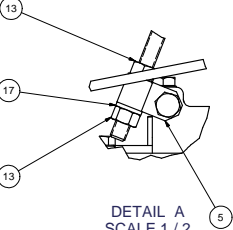


ISOMETRIC VIEW

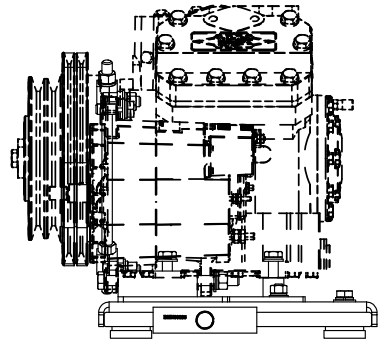
NOTE:  
SHOWING COMPRESSOR  
4xFCY  
AS REFERENCE.



DETAIL B  
SCALE 1/2



DETAIL A  
SCALE 1/2



**NOTES:**

- 1) USE SERVICABLE THREADLOCKER ON ALL FASTENERS TO ENGINE COMPONENTS AND TORQUE ALL BOLTS TO S.A.E. SPECIFICATIONS.
- 2) SEE 'TRANSARCTIC A/C COMPRESSOR MOUNT INSTALLATION DISCLAIMER'.
- 3) WEIGHT: 56.70 LBS.

ITEM	QTY	U/M	PART NUMBER	DESCRIPTION
17	12	EACH	WLO08000	WASHER, LOCK, 1/2", 8, PLT
16	10	EACH	WFO08000	WASHER, FLAT, 1/2", 8, PLT
15	1	EACH	TRD08120	THREADED, ROD, 1/2-13UNC x 12", 5 PLT
14	1	EACH	PUL03321	PULLEY, ALT, IDLER, 3.25"o, 2A
13	7	EACH	NT008000	NUT, HEX, 1/2-13UNC, 8, PLT
12	1	EACH	K8184094	KIT, PLATFORM, PS, 4xFCY/ FK40, W/ ALT, '13
11	2	EACH	CSF00076	CAPSCREW, FH, 1/2-20UNF x .75", ALLOY, PLT
10	1	EACH	BT008653	BOLT, HEX, 1/2-13UNC x 6.50, 8, PLT
9	4	EACH	BT008150	BOLT, HEX, 1/2-13UNC x 1.50, 8, PLT
8	4	EACH	BT008101	BOLT, HEX, 1/2-20UNF x 1.00, 5, PLT, FT
7	1	EACH	BT008653	BOLT, HEX, 1/2-13UNC x 6.50, 5, PLT, FT
6	1	EACH	BMZ00043	BKT, MAIN, BASE PL, '13
5	2	EACH	BMT10011	BKT, TENR, BLOCK, OFFSET, 3mm
4	1	EACH	BMN80025	BKT, BACK, PL, SLIDE, IC, RE300
3	2	EACH	BMN80008	VIBRATION ISOLATOR, BAR, 16.50 x 2 x 1.50
2	1	EACH	BMCS3114	BKT, PL, ALT, SPACER, T3RE, '13
1	2	EACH	BELT1040	BELT, A, gr, 1040mm (41") (17410)

**BILL OF MATERIALS**

1	REVISED NOTE & TITLE	6/26/2017	JBR
0	RELEASED TO PRODUCTION	9/9/2013	JBR
REV	DESCRIPTION	DATE	BY
1		9/9/2013	James Stewart
2		9/9/2013	Ron Ingram
3		9/9/2013	Dale Mason

BROWN	9/9/2013
JRodriguez	
CHECKED	
VJal_Jakowlew	
GA	

**TRANSARCTIC INC.**

TITLE: KIT, COMPRESSOR, ALT, PS, 4xFC, '13

DATE: 9/9/2013

SCALE: 1:3

DWG NO: KCB84094

REV: 1

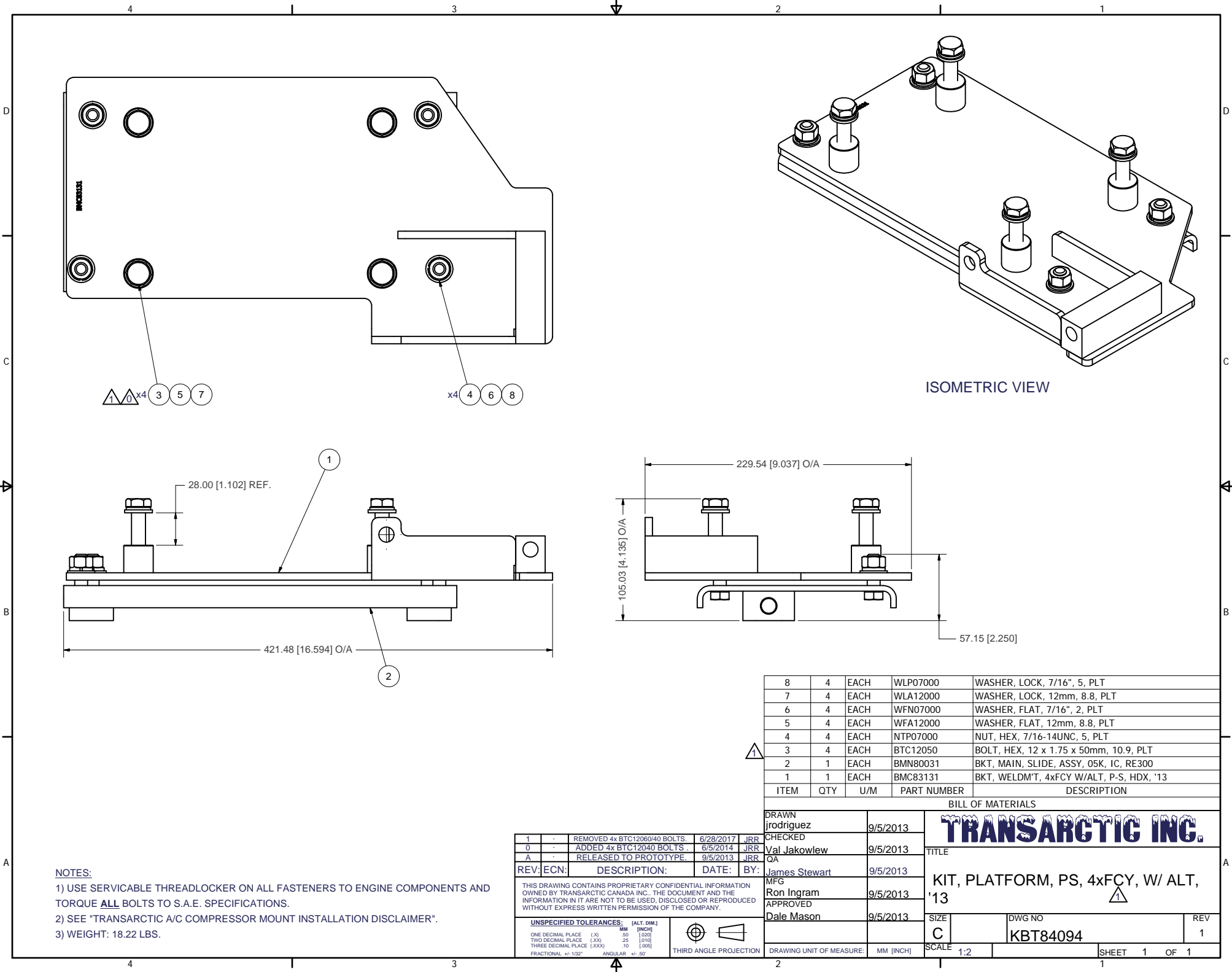
SHEET 1 OF 1

UNSPECIFIED TOLERANCES: H41 J41 M41 P41 R41 S41 T41 U41 V41 W41 X41 Y41 Z41

ONE DECIMAL PLACE (X) .1 (X) .05 (X) .025 (X) .015 (X) .010 (X) .0075 (X) .005 (X) .00375 (X) .0025 (X) .0015 (X) .0010 (X) .00075 (X) .0005 (X) .000375 (X) .00025 (X) .00015 (X) .00010 (X)

THIRD ANGLE PROJECTION

DRAWING UNIT OF MEASURE: MM (INCH)



- NOTES:**
- 1) USE SERVICABLE THREADLOCKER ON ALL FASTENERS TO ENGINE COMPONENTS AND TORQUE **ALL** BOLTS TO S.A.E. SPECIFICATIONS.
  - 2) SEE "TRANSARCTIC A/C COMPRESSOR MOUNT INSTALLATION DISCLAIMER".
  - 3) WEIGHT: 18.22 LBS.

1	-	REMOVED 4x BTC12060/40 BOLTS.	6/28/2017	JRR
0	-	ADDED 4x BTC12040 BOLTS.	6/5/2014	JRR
A	-	RELEASED TO PROTOTYPE.	9/5/2013	JRR
REV/ECN:	DESCRIPTION:	DATE:	BY:	
			James Stewart	
THIS DRAWING CONTAINS PROPRIETARY CONFIDENTIAL INFORMATION OWNED BY TRANSARCTIC CANADA INC. THE DOCUMENT AND THE INFORMATION IN IT ARE NOT TO BE USED, DISCLOSED OR REPRODUCED WITHOUT EXPRESS WRITTEN PERMISSION OF THE COMPANY.				
UNSPECIFIED TOLERANCES:		[ALT. DIM.]		
ONE DECIMAL PLACE (.X)	.50	[.020]		
TWO DECIMAL PLACE (.XX)	.25	[.010]		
THREE DECIMAL PLACE (.XXX)	.10	[.005]		
FRACTIONAL +/- .03125"	ANGULAR +/- .50°			
		THIRD ANGLE PROJECTION		

8	4	EACH	WLP07000	WASHER, LOCK, 7/16", 5, PLT
7	4	EACH	WLA12000	WASHER, LOCK, 12mm, 8.8, PLT
6	4	EACH	WFN07000	WASHER, FLAT, 7/16", 2, PLT
5	4	EACH	WFA12000	WASHER, FLAT, 12mm, 8.8, PLT
4	4	EACH	NTP07000	NUT, HEX, 7/16-14UNC, 5, PLT
3	4	EACH	BTC12050	BOLT, HEX, 12 x 1.75 x 50mm, 10.9, PLT
2	1	EACH	BMN80031	BKT, MAIN, SLIDE, ASSY, 05K, IC, RE300
1	1	EACH	BMC83131	BKT, WELDM'T, 4xFCY W/ALT, P-S, HDX, '13
ITEM	QTY	U/M	PART NUMBER	DESCRIPTION

**BILL OF MATERIALS**

**TRANSARCTIC INC.**

**TITLE**  
KIT, PLATFORM, PS, 4xFCY, W/ ALT, '13

**SIZE**  
C

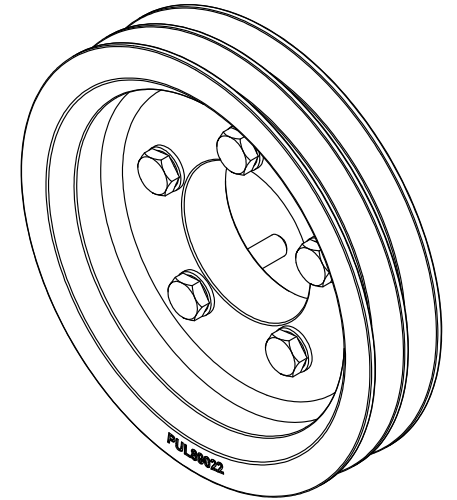
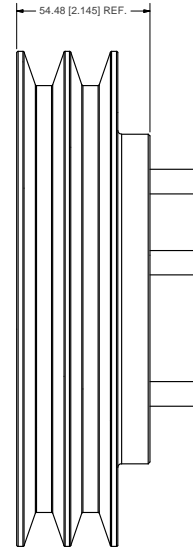
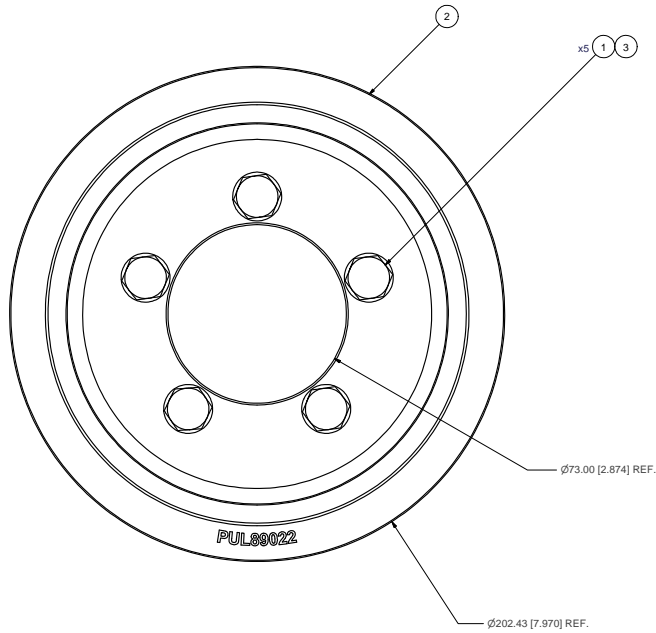
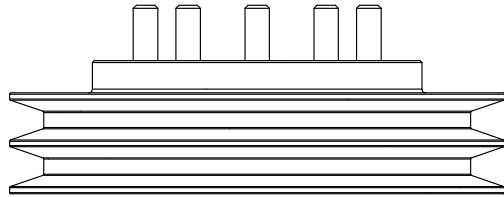
**DWG NO**  
KBT84094

**REV**  
1

**SCALE**  
1:2

**SHEET** 1 **OF** 1

<b>DRAWN</b> jrodriguez	9/5/2013
<b>CHECKED</b> Val Jakowlew	9/5/2013
<b>APPROVED</b> Dale Mason	9/5/2013
<b>MFG</b> Ron Ingram	9/5/2013
<b>DRAWING UNIT OF MEASURE:</b>	MM [INCH]



ISOMETRIC VIEW

- NOTES:**
- 1) USE SERVICABLE THREADLOCKER ON ALL FASTENERS TO ENGINE COMPONENTS AND TORQUE ALL BOLTS TO S.A.E. SPECIFICATIONS.
  - 2) SEE "TRANSARCTIC A/C COMPRESSOR MOUNT INSTALLATION DISCLAIMER".
  - 3) WT:≈ 11.56 LBS

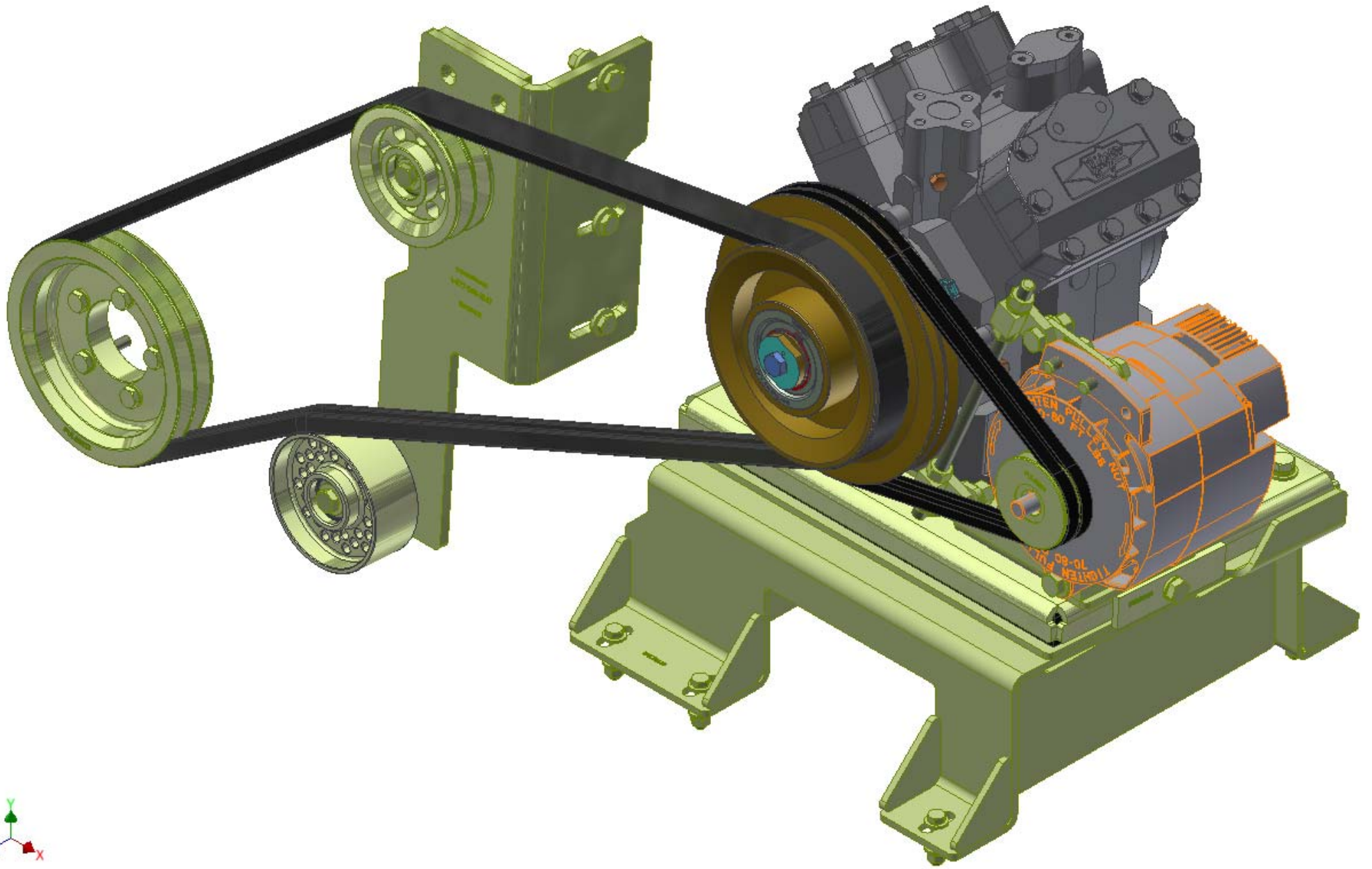
ITEM	QTY	U/M	PART NUMBER	DESCRIPTION
3	5	EACH	WFA10000	WASHER, FLAT, 10mm, 8.8, PLT
2	1	EACH	PUL89022	PULLEY, CRANK, ISL, 8.9L, 2B/X, 8", '13
1	5	EACH	BTCT0050	BOLT, HEX, 10 x 1.5 x 50mm, 10.9, PLT

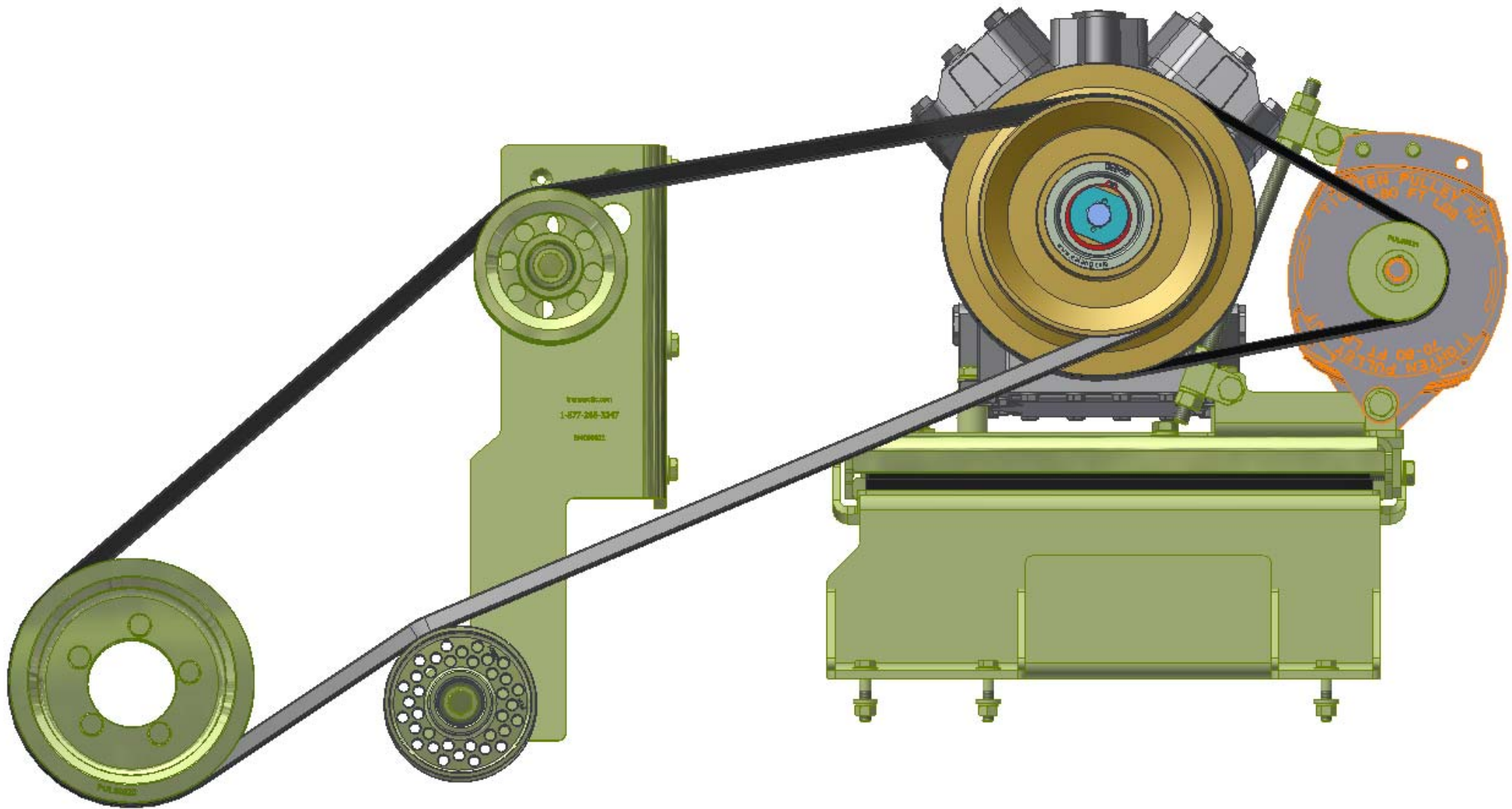
**BILL OF MATERIALS**

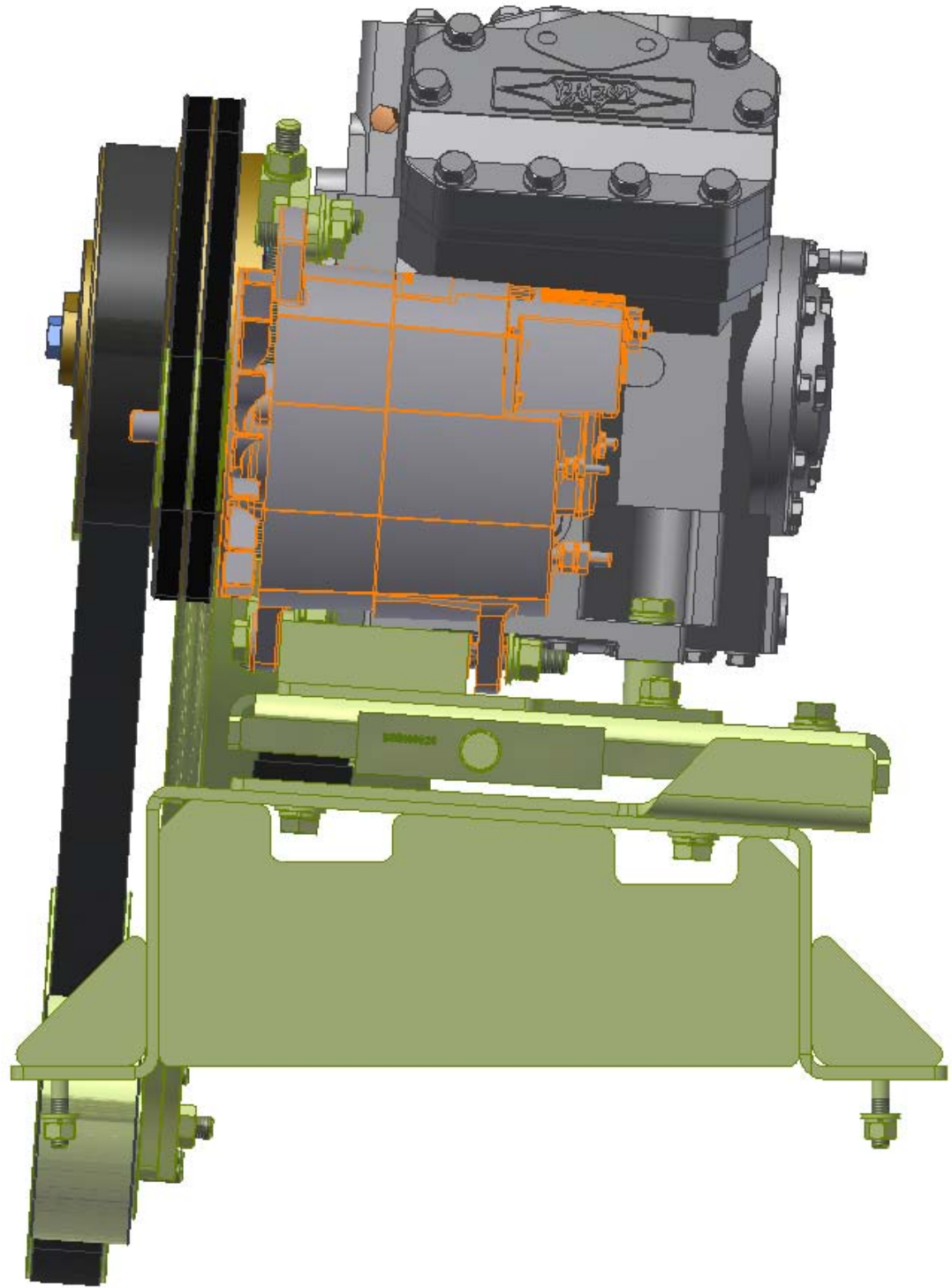
DRAWN	10/15/2013			
CHECKED	10/15/2013			
DATE:	10/15/2013			
BY:	James Stewart			
REV	DESCRIPTION	DATE	BY	TITLE
1	RELEASED TO PRODUCTION	10/15/2013	JRS	GA
1		10/15/2013	James Stewart	
1		10/15/2013	MFG	
1		10/15/2013	Ron Ingram	KIT, PULLEY, ISL, 8.9L, 2B/X, '13
1		10/15/2013	Dale Mason	APPROVED

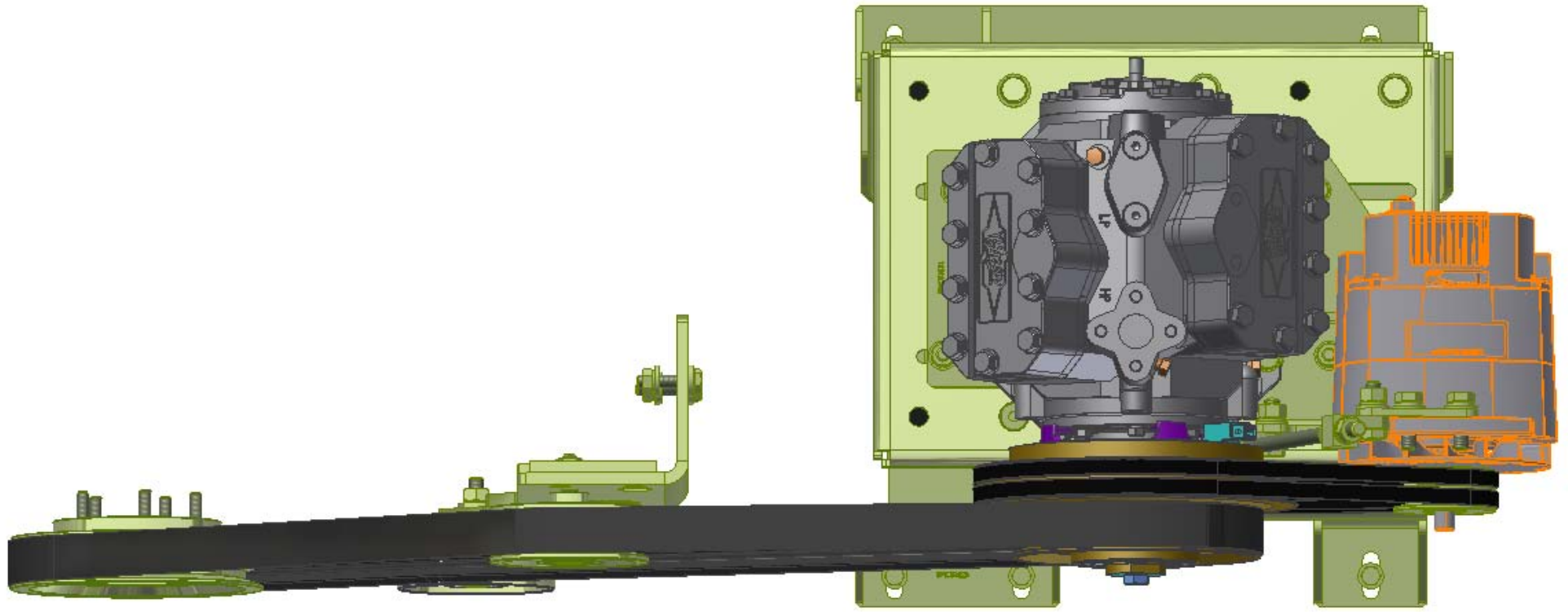
UNSPECIFIED TOLERANCES:	ALL DIMS	
ONE DECIMAL PLACE (X.0)	MM (FR)	
TWO DECIMAL PLACE (X.00)	MM (FR)	
FRACTIONAL (1/16")	INCH (FR)	

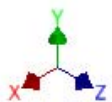
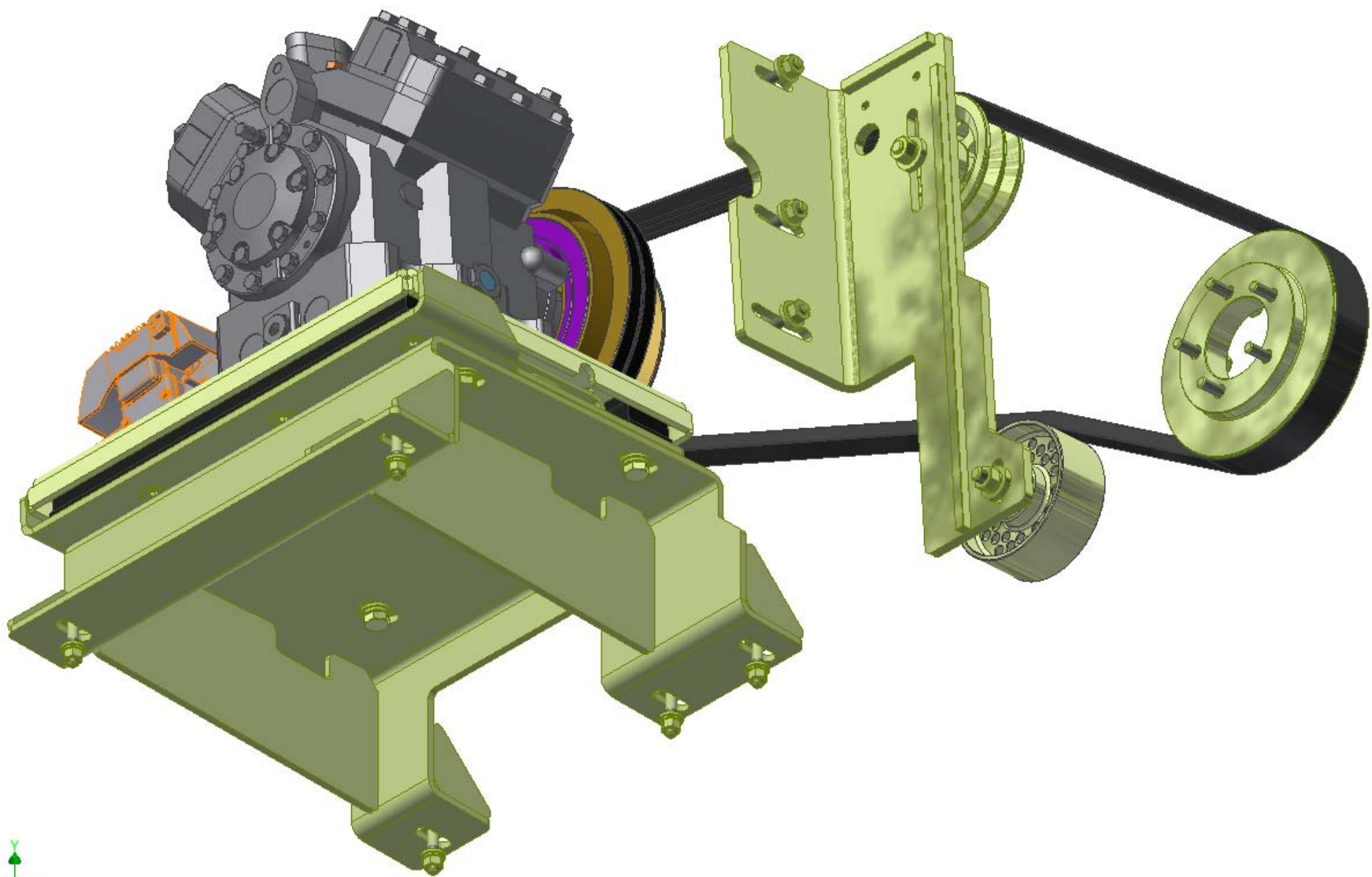
DWG NO	REV
D	0
KPC89022	
SCALE	1:1
SHEET	1 OF 1













## **TransArctic A/C Compressor Mount Installation Disclaimer**

All compressor mounts should be installed by qualified and trained personnel using proper tools and equipment in safe working conditions following industry standard guidelines for motor vehicle service and repair.

The installer of any compressor mount purchased from TransArctic must undertake all responsibility of issues arising from that compressor bracket being installed on any vehicle. As well as insure that a **proper and sufficient ground** is established between the compressors' clutches and the vehicle's engine. Mount functionality, operation and durability can all be compromised by an incompetent installation.

Due to the many different situations, parameters and application criteria, which are beyond the compressor mount manufacturer's control, TransArctic does not warrant design, durability, or operational functionality of any compressor mount improperly installed by another party.

**With no implied guarantees it is the mount installer's strict responsibility to determine safety and functionality, of the compressor mount, at the time of installation.**

Please contact TransArctic with any issue arising from installation so we may better improve the product. If you have any reservations about the compressor mount integrity contact TransArctic immediately at 1-877-COLD-AIR.

**Mark OEM tensioner location**

**Install Kit**

**Check for Interferences**

**Check to ensure that the proper OEM tensioner orientation is maintained**

**Run engine with A/C system engaged for at least 10 minutes to run in belt**

**Check OEM tensioner orientation and adjust as required**

### **Responsabilidad limitada de TransArctic en la instalación del soporte del compresor**

Todos los soportes de los compresores deben ser instalados por personas calificadas y entrenadas, usando para ello los equipos y herramientas necesarios para esta labor en buenas condiciones y según las normas y guías para el servicio y/o reparación de motores de vehículos.

El instalador de los soportes comprados en TransArctic asume toda la responsabilidad de cualquier problema que surja en el soporte del compresor al vehículo; de igual manera es responsable que el cable a tierra sea conectado entre el embrague del compresor y el motor del vehículo.

Se advierte que el buen funcionamiento y la durabilidad del soporte pueden ser comprometidos por defectos en su instalación.

Debido a las diversas situaciones que se puedan presentar fuera del control del fabricante, TransArctic no garantiza el diseño, la durabilidad o el correcto funcionamiento de cualquier equipo inapropiadamente instalado por terceros.

**Esta sobreentendido que el Instalador del montaje del compresor es estrictamente responsable de la seguridad y funcionamiento del equipo en el momento de la instalación.**

Si tuviera algún problema o duda acerca de la instalación del soporte del compresor pongase en contacto inmediatamente con TransArctic al teléfono 1-877-COLD-AIR de modo que podamos mejorar nuestro producto.

**Note la ubicación del medidor de tensión OEM**

**Instale el equipo**

**Controlar si hay interferencias.**

**Asegurese que el medidor de tensión mantenga la orientación justa.**

**Encienda el motor por lo menos 10 minutos con el sistema A/C enganchado para que la correa corra**

**Controle la orientación justa del medidor de tensión y ajuste a las condiciones requeridas del fabricante**