



SERVICE PARTS LIST

for

SPLIT SYSTEMS

Generation 4 & 5

NOTE: For GEN 1, 2 & 3 Equipment,
Use Parts List T-346PL

T-299PL

REV. 09/2017



TABLE OF CONTENTS

INTRODUCTION xiv

ORDERING INSTRUCTIONS xiv

GENERAL NOTES xiv

SECTION 1 - EVAPORATORS 1

SECTION 1.1 EM-1 EVAPORATORS 1

1.1.1 EVAPORATOR, EM-1, GEN 4, FREE BLOW 1

1.1.2 EVAPORATOR, EM-1, GEN 4 CHASSIS KIT WITH HEAT 3

1.1.3 PLENUM & GRILL BOX FOR EVAPORATORS EM-1 & 2, GEN 4 4

1.1.4 EM-1, GEN-V, 3 SPEED CHASSIS KITS 77-62512-XX (COMMON PARTS): OPTION 1 .
..... 6

1.1.4 EM-1, GEN-V, 3 SPEED CHASSIS KITS 77-62512-XX (COMMON PARTS) - Cont: 8

1.1.5 EM1 GEN-V, Wire Harness 22-62168-00 & -01: OPTION 1 & OPTION 2 9

1.1.5 EM1 GEN-V, Wire Harness 22-62099-00 & -01: OPTION 3 & OPTION 4 9

1.1.5 EM1 GEN-V, Wire Harness 22-62286-00: OPTION 5 10

1.1.5 EM1 GEN-V, Wire Harness 22-62261-00: OPTION 6 10

1.1.5 EM1 GEN-V, Wire Harnesses 22-62247-00 & 22-62204-00: OPTION 7 11

1.1.5 EM1 GEN-V, Wire Harness 22-62194-00: OPTION 8 11

1.1.6 COVER ASSEMBLY, EM-1, GEN-V, 3 SPEED, REAR MOUNT - OPTION 1 12

1.1.6 COVER ASSEMBLY, EM-1, GEN-V, 3 SPEED, SIDE MOUNT - OPTION 2 13

1.1.7 MISCELLANEOUS INSTALLATION COMPONENTS, EM-1, GEN-V, SIDE MOUNT . .
..... 14

1.1.8 EM-1, GEN-VI, 3 SPEED CHASSIS KITS Y73-EM101-00 thru -02 (COMMON PARTS):
OPTION 1 17

1.1.9 EM-1, GEN-VI, COVER ASSEMBLY, REAR MOUNT : OPTION 1
(Used on MODELS Y19-EM101-21,-22,-31,-32,-41,-42,-44,-45,-47,-81,-83 & -96) 20

1.1.9 EM-1, GEN-VI, COVER ASSEMBLY, SIDE MOUNT: OPTION 2
(Used on MODELS Y19-EM101-23,-61,-62,-64 & -91) 21

1.1.10 EM1 GEN-VI, Wire Harness 22-62303-00: OPTION 1 22

1.1.10 EM1 GEN-VI, Wire Harness 22-62303-01: OPTION 2 22

1.1.10 EM1 GEN-VI, Wire Harness 22-62303-02: OPTION 3 23

1.1.11 EM-1, CLASSIC LINE, 12 VDC, 3 SPEED CHASSIS KITS Y73-EM103-00 & 01 , OPTION 1 &
2 25

1.1.12 EM-1, CLASSIC LINE, COVER ASSEMBLY, REAR MOUNT : OPTION 1 & 2 28

1.1.13 EM1 Classic Line, 12 VDC Wire Harness Y25-00099-01, OPTION 1 29

1.1.13 EM1 CLASSIC LINE, WIRE HARNESS Y25-00099-02, OPTION 2 30

SECTION 1.2 EM-2 EVAPORATORS 31

1.2.1 EVAPORATOR, EM-2, GEN 4, FREE BLOW 31

1.2.2 EVAPORATOR, EM-2 CHASSIS KIT WITH HEAT, GEN 4 32

1.2.3 EVAPORATOR, EM-2,GEN V (Common Parts) OPTION 1 35

1.2.4 EM2 GEN-V, Wire Harness 22-62168-00 : OPTION 1 37

1.2.4 EM2 GEN-V, Wire Harness 22-62099-00 : OPTION 2 37



TABLE OF CONTENTS

1.2.4 EM2 GEN-V, Wire Harness 22-62286-00: OPTION 3 38

1.2.4 EM2 GEN-V, Wire Harness 22-62261-00: OPTION 4 38

1.2.4 EM2 GEN-V, Wire Harnesses 22-62247-00 & 22-62204-00: OPTION 5 39

1.2.5 COVER ASSEMBLY, EM-2, GEN-V, 3 SPEED, REAR MOUNT : OPTION 1 40

1.2.5 COVER ASSEMBLY, EM-2, GEN-V, 3 SPEED, SIDE MOUNT : OPTION 2 41

1.2.6 INSTALLATION COMPONENTS, EM-2, GEN-V, SIDE MOUNT 42

1.2.7 EM-2, GEN-VI, 3 SPEED CHASSIS KITS Y73-EM201-00 thru -02 (COMMON PARTS):
OPTION 1 45

1.2.8 EM-2, GEN-VI, COVER ASSEMBLY, REAR MOUNT : OPTION 1
(Used on MODELS Y19-EM101-21,-22,-31,-32,-41,-42,-44,-45,-47,-80,-81,-82,-83,-85,-95 & -96) 48

1.2.9 EM-2, GEN-VI, COVER ASSEMBLY, SIDE MOUNT: OPTION 2
(Used on MODELS Y19-EM201-23,-51,-52,-61,-62, & -91) 49

1.2.10 EM2 GEN-VI, Wire Harness 22-62303-00: OPTION 1 50

1.2.10 EM2 GEN-VI, Wire Harness 22-62303-01: OPTION 2 50

1.2.10 EM2 GEN-VI, Wire Harness 22-62303-02: OPTION 3 51

1.2.11 EM-2, CLASSIC LINE, 12VDC, 3 SPEED CHASSIS KITS Y73-EM203-00 & -01, OPTION 1 &
2 53

1.2.12 EM-2, CLASSIC LINE, COVER ASSEMBLY, REAR MOUNT : OPTION 1 & 2 56

1.2.13 EM2 CLASSIC LINE, WIRE HARNESS Y25-00102-01, OPTION 1 57

1.2.13 EM2 CLASSIC LINE, WIRE HARNESS Y25-00102-02, OPTION 2 58

SECTION 1.3 EM-3 EVAPORATORS 59

1.3.1 EVAPORATOR, EM-3, GEN 4, DUCTED, WITH PLENUM OR GRILL BOX 59

1.3.2 EVAPORATOR, EM-3, GEN 4, FREE BLOW 60

1.3.3 EM-3, 3 SPEED CHASSIS KITS (Common Parts) OPTION 1 62

1.3.4 EM3 GEN-V, Wire Harness 22-62168-00 : OPTION 1 64

1.3.4 EM3 GEN-V, Wire Harness 22-62164-00 : OPTION 2 64

1.3.4 EM3 GEN-V, Wire Harness 22-62164-02 : OPTION 3 65

1.3.4 EM2 GEN-V, Wire Harness 22-62261-00: OPTION 4 65

1.3.4 EM3 GEN-V, Wire Harnesses 22-62204-00: OPTION 5 66

1.3.4 EM3 GEN-V, Wire Harness 22-62099-00 : OPTION 6 66

1.3.5 EM-3, GEN-5, COVER ASSEMBLY 67

1.3.6 EM-3, CLASSIC LINE, 3 SPEED CHASSIS KITS Y73-EM303-00 & -01, OPTION 1 & 2 . . .
..... 69

1.3.6 EM-3, CLASSIC LINE, 3 SPEED CHASSIS KITS Y73-EM303-02, -03, -04 & -05, OPTION 3 & 4
..... 72

1.3.7 EM-3, CLASSIC LINE, COVER ASSEMBLY, REAR MOUNT : OPTION 1 & 2 75

1.3.8 EM3, CLASSIC LINE, Wire Harness Y25-00103-01, OPTION 1 76

1.3.8 EM3, CLASSIC LINE, Wire Harness Y25-00103-02, OPTION 2 77

1.3.8 EM3, CLASSIC LINE, Wire Harness Y25-00103-03, OPTION 3 78

SECTION 1.4 EM-6 EVAPORATORS 79

1.4.1 EVAPORATOR, EM-6, GEN 4, SIDE MOUNT, FREE BLOW 79



TABLE OF CONTENTS

1.4.2 EVAPORATOR, EM-6, GEN 4, FREE BLOW 80

1.4.3 EM-6, CLASSIC LINE, 3 SPEED CHASSIS KITS Y73-EM601-00 & -01, OPTION 1 & 2 . . .
..... 82

1.4.4 EM-6, CLASSIC LINE, COVER ASSEMBLY, REAR MOUNT : OPTION 1 & 2 85

1.4.5 EM6 CLASSIC LINE, WIRE HARNESS Y25-00102-01, OPTION 1 86

1.4.5 EM6 CLASSIC LINE, WIRE HARNESS Y25-00102-02, OPTION 2 87

SECTION 1.5 EM-7 EVAPORATORS 88

1.5.1 EVAPORATOR, EM-7, GEN V, CHASSIS KIT (Common Parts): OPTION 1 89

1.5.2 EM7 GEN-V, Wire Harness 22-62168-00 & -01: OPTION 1 & OPTION 5 91

1.5.2 EM7 GEN-V, Wire Harness 22-62286-00: OPTION 2 91

1.5.2 EM7 GEN-V, Wire Harnesses 22-62247-00: OPTION 3 92

1.5.2 EM7 GEN-V, Wire Harness 22-62261-00: OPTION 4 93

1.5.2 EM7 GEN-V, Wire Harness 22-62099-00 & -01: OPTION 6 93

1.5.2 EM7 GEN-V, Wire Harness 22-62194-00: OPTION 7 94

1.5.3 COVER ASSEMBLY, EM-7, GEN-V, REAR MOUNT : OPTION 1 95

1.5.3 COVER ASSEMBLY, EM-7, GEN-V, SIDE MOUNT : OPTION 2 96

1.5.4 EM-7, GEN-VI, 3 SPEED CHASSIS KITS Y73-EM701-00 thru -02 (COMMON PARTS):
OPTION 1 98

1.5.5 EM-7, GEN-VI, COVER ASSEMBLY, REAR MOUNT : OPTION 1
(Used on MODELS Y19-EM701-21,-22,-31,-32,-41,-42,-44,-45,-47,-80,-81,-82,-83,-85,-95 & -96) 101

1.5.5 EM-7, GEN-VI, COVER ASSEMBLY, SIDE MOUNT: OPTION 2
(Used on MODELS Y19-EM701-23,-24,-51,-52,-61,-62, & -91) 102

1.5.6 EM7 GEN-VI, Wire Harness 22-62303-00: OPTION 1 103

1.5.6 EM7 GEN-VI, Wire Harness 22-62303-01: OPTION 2 103

1.5.6 EM7 GEN-VI, Wire Harness 22-62303-02: OPTION 3 104

SECTION 1.6 EM-9 EVAPORATORS 105

1.6.1 EVAPORATOR, EM-9, GEN IV, SIDE MOUNT, DUCTED (Common Parts): OPTION 1
..... 106

1.6.2 EM9 GEN-IV, Wire Harness 22-62226-00: OPTION 1 107

1.6.2 EM9 GEN-IV, Wire Harness 22-62279-00: OPTION 2 108

1.6.3 EVAPORATOR, EM-9, GEN 4, SIDE MOUNT, DUCTED , COVERS 109

SECTION 1.7 EM-14 EVAPORATORS 110

SECTION 1.7 EM-14 EVAPORATORS 111

1.7.1 EVAPORATOR, EM-14, GEN 4 SERIES, FREE BLOW , REAR & SIDE MOUNT (Common
Parts): OPTION 1 111

1.7.2 EM14, Wire Harness 22-62223-00: OPTION 1 112

1.7.2 EM14, Wire Harness 22-62285-00: OPTION 2 113

1.7.3 EVAPORATOR, EM-14, FREE BLOW, REAR & SIDE MOUNT COVER ASSEMBLY,
OPTION 1 114

1.7.3 EVAPORATOR, EM-14, FREE BLOW, REAR MOUNT GRILLE, RETURN AIR, OPTION 2
..... 114

1.7.3 EVAPORATOR, EM-14, FREE BLOW, SIDE MOUNT GRILLE, RETURN AIR, OPTION 3
..... 115



TABLE OF CONTENTS

SECTION 1.8 EM-17 EVAPORATORS 116

SECTION 1.8 EM-17 EVAPORATORS 117

1.8.1 EVAPORATOR, EM-17, SINGLE LOOP, GEN 4 SERIES : OPTION 1 117

1.8.1 EVAPORATOR, EM-17, DUAL LOOP, GEN 4 SERIES : OPTION 2 118

1.8.1 EVAPORATOR, EM-17, CHASSIS KITS 77-62000-11 & Y53-E1701-00: OPTION 3 . 119

1.8.1 EVAPORATOR, EM-17, CHASSIS KITS 77-62000-31 & Y53-E1702-00: OPTION 4 . 121

1.8.1 EVAPORATOR, EM-17, CHASSIS KITS 77-62000-31 & Y53-E1702-00: OPTION 4 (Continued) 122

1.8.2 EVAPORATOR, EM-17, WIRE HARNESS, OPTION 1 123

1.8.3 EVAPORATOR, EM-17, WIRE HARNESS, OPTION 2 124

SECTION 1.9 EM-23 EVAPORATORS 125

1.9.1 EVAPORATOR KIT, EM-23, HEAT/COOL (77-62725-00) 125

1.9.2 EVAPORATOR KIT, EM-23 - COOL ONLY (77-62204-00) 126

1.9.3 EVAPORATOR KIT, EM-23 - COOL ONLY 13-20323 127

1.9.4 EVAPORATOR KIT, EM-23 - HEAT/COOL 13-20301 128

SECTION 1.10 IW-1 IN-WALL EVAPORATORS 129

1.10.1 EVAPORATOR, IW-1, (77-62081-11) 130

1.10.2 EVAPORATOR, IW-1, COMMON PARTS USED ON 77-62160-XX UNITS 134

1.10.3 EVAPORATOR, IW-1, COMMON PARTS USED ON CHASSIS Y73-IW101-00: Option 1 136

1.10.4 EVAPORATOR HARNESS, IW-1 12VDC (22-62282-00): OPTION 1 137

1.10.4 EVAPORATOR HARNESS, IW-1 24VDC (22-62299-00): OPTION 2 138

1.10.4 EVAPORATOR HARNESS, IW-1 12VDC (22-62274-00): OPTION 3 139

1.10.4 EVAPORATOR HARNESS, IW-1, Variable Speed 12VDC (22-62239-00): OPTION 4 140

1.10.4 EVAPORATOR HARNESS, IW-1, EnviorMATE 12VDC (Y25-00059-00): OPTION 5 141

1.10.4 EVAPORATOR HARNESS, IW-1, 12VDC (Y25-00106-01): OPTION 6 142

1.10.5 EVAPORATOR, IW-1, BRACKETS (77-62160-00,-03,-04,-05,-07,-15,16,-17,-18,-28,-29,-32,-33,-81,&-83): OPTION 1 143

1.10.5 EVAPORATOR, IW-1, BRACKETS (77-62160-01 & -19): OPTION 2 143

1.10.5 EVAPORATOR, IW-1, BRACKETS (77-62160-06): OPTION 3 143

1.10.5 EVAPORATOR, IW-1, BRACKETS (77-62160-10, -11, -22, -23 & -26): OPTION 4 .. 144

1.10.5 EVAPORATOR, IW-1, BRACKETS (77-62160-12, -13, -20 & -21): OPTION 5 144

1.10.5 EVAPORATOR, IW-1, BRACKETS (77-62160-14): OPTION 6 145

1.10.5 EVAPORATOR, IW-1, BRACKETS (77-62160-30 & -31 and Y19-IW101-00): OPTION 7 145

1.11 IW-2 IN-WALL EVAPORATORS 154

1.11.1 EVAPORATOR, IW-2 - 77-62134-XX (All), COMMON PARTS: OPTION 1 155

1.11.2 EVAPORATOR, IW-2 MOUNT BRACKETS (Used on 77-62134-02): OPTION 1 .. 157

1.11.2 EVAPORATOR, IW-2 MOUNT BRACKETS (Used on 77-62134-03 & -04): OPTION 2 157

1.11.3 EVAPORATOR HARNESS, IW-2 12VDC (22-62282-00): OPTION 1 159



TABLE OF CONTENTS

- 1.11.4 COVER ASSEMBLY, EVAPORATOR, IW-2 (77-62134-03, -04, -05 & -06): OPTION 3 161
- 1.11.4 COVER ASSEMBLY, EVAPORATOR, IW-2 (77-62134-07 & -08): OPTION 4 162
- 1.11.4 COVER ASSEMBLY, EVAPORATOR, IW-2 (77-62134-12) COMPONENTS SUPPLIED: OPTION 5 162
- 1.12 IW-4 IN-WALL EVAPORATORS 163
- 1.12.1 EVAPORATOR, IW-4 (77-62230-00 & -01) : OPTION 1 164
- 1.12.1 EVAPORATOR, IW-4, Y19-IW401 and Y19-IW402 MODELS : OPTION 2 166
- 1.12.2 EVAPORATOR HARNESS, IW-4 12VDC (22-62294-00 & Y25-00104-00) : OPTION 1 167
- 1.12.2 EVAPORATOR HARNESS, IW-4 12VDC (Y25-00006-00 & Y25-00105-00): OPTION 2 168
- 1.12.2 EVAPORATOR HARNESS, IW-4 12VDC (Y25-00115-00): OPTION 3 169
- 1.12.2 EVAPORATOR HARNESS, IW-4 12VDC (Y25-00115-02): OPTION 4 170
- 1.12.2 EVAPORATOR HARNESS, IW-4 12VDC (Y25-00115-03): OPTION 5 171
- 1.12.3 COVER ASSEMBLY, IW-4 USED ON (77-62230-00): OPTION 1 172
- 1.12.3 COVER ASSEMBLY, IW-4 USED ON (77-62230-01): OPTION 2 173
- 1.13 IW-5 IN-WALL EVAPORATORS 174
- 1.13.1 EVAPORATOR, IW-5, Y19-IW501-00: OPTION 1 175
- 1.13.2 EVAPORATOR HARNESS , IW-5: OPTION 1 176
- 1.13.3 EVAPORATOR MOUNTING BRACKETS, IW-5: OPTION 1 177
- 1.14 IW-7 IN-WALL EVAPORATORS 178
- 1.14.1 EVAPORATOR, IW-7 (77-62131-00) 178
- 1.15 IW-10 IN-WALL EVAPORATORS 180
- 1.15.1 EVAPORATOR, Chassis Kit (77-62200-00), IW-10, (INACTIVE): OPTION 1 181
- 1.15.1 EVAPORATOR, Chassis Kit (77-62200-02 & -03), IW-10 : COMMOM PARTS: OPTION 2 183
- 1.15.2 EVAPORATOR, Mounting Brackets, IW-10 : OPTION 1 185
- 1.15.2 EVAPORATOR, Mounting Brackets, IW-10 : OPTION 2 185
- 1.15.3 EVAPORATOR HARNESS, IW-10 12VDC (22-62297-00): OPTION 1 186
- 1.15.3 EVAPORATOR HARNESS, IW-10 12VDC (Y25-00000-00): OPTION 2 187
- 1.15.4 COVER ASSEMBLY, EVAPORATOR, IW-10: OPTION 1 188
- 1.15.4 COVER ASSEMBLY, EVAPORATOR, IW-10: OPTION 2 189
- 1.15.4 COVER ASSEMBLY, EVAPORATOR, IW-10: OPTION 3 189
- 1.15.4 COVER ASSEMBLY, EVAPORATOR, IW-10: OPTION 4 190
- 1.15.4 COVER ASSEMBLY, EVAPORATOR, IW-10: OPTION 5 190
- 1.15.4 COVER ASSEMBLY, EVAPORATOR, IW-10: OPTION 6 191
- 1.16 IW-14 IN-WALL EVAPORATORS 192
- 1.16.1 EVAPORATOR, IW-14, (77-62080-00) 192
- 1.16.2 EVAPORATOR, IW-14, WITH LP SWITCH (77-62080-01) 194



TABLE OF CONTENTS

SECTION 2 - CONDENSERS	197
SECTION 2.1 CM-2 CONDENSERS	197
2.1.1 CONDENSER, CM-2, GEN 4	197
2.1.2 CONDENSER, CM-2, MCHX, VENTURI ASSEMBLY: OPTION 1	199
2.1.2 CONDENSER, CM-2, MCHX, VENTURI ASSEMBLY: OPTION 2	200
2.1.2 CONDENSER, CM-2, MCHX, VENTURI ASSEMBLY: OPTION 3	201
2.1.2 CONDENSER, CM-2, MCHX, VENTURI ASSEMBLY (24V): OPTION 4	202
2.1.2 CONDENSER, CM-2, MCHX, VENTURI ASSEMBLY (12V): OPTION 5	203
2.1.3 CM-2, CONDENSER GROUND/POWER HARNESS	203
2.1.4 CONDENSER COIL REPLACEMENT KIT, CM-2, MICRO-CHANNEL (MCHX) : OPTION 1	204
2.1.5 CONDENSER, CM-2 SLIM LINE MCHX, (12VDC) COMMON PARTS: OPTION 1	206
2.1.5 CONDENSER, CM-2 SLIM LINE MCHX, (24VDC) COMMON PARTS: OPTION 2	207
2.1.6 CM-2, CONDENSER HARNESS 22-62273-00: OPTION 1	208
2.1.6 CM-2, CONDENSER HARNESS 22-62260-00: OPTION 2	208
2.1.6 CM-2, CONDENSER HARNESS 22-62206-00: OPTION 3	209
2.1.7 CONDENSER COIL REPLACEMENT KIT, CM-2 , SLIM LINE MICRO-CHANNEL (MCHX) : ALL 77-00273-XX	210
2.1.8 CONDENSER, CM-2, MCHX, GRILL ASSEMBLY: OPTION 1	211
2.1.8 CONDENSER, CM-2, MCHX, GRILL ASSEMBLY: OPTION 2	211
2.1.8 CONDENSER, CM-2, MCHX, GRILL ASSEMBLY: OPTION 3	212
2.1.8 CONDENSER, CM-2, MCHX, GRILL ASSEMBLY: OPTION 4	212
2.1.8 CONDENSER, CM-2 , MCHX, GRILL ASSEMBLY; OPTION 5	212
2.1.9 CONDENSER, CM-2 HEAVY DUTY MCHX, CHASSIS KIT (12V) COMMON PARTS	213
2.1.9 CONDENSER, CM-2 HEAVY DUTY MCHX, SERVICE REPLACEMENT CHASSIS (12V)	214
2.1.10 CM-2, CONDENSER HARNESS , HEAVY DUTY MCHX, 12 VDC (Y24-00080-00) .	215
2.1.11 CONDENSER, CM2 (Long) , CHASSIS KIT (ALL)	217
2.1.12 CONDENSER, CM2 (Long), HARNESS , ELECTRICAL (ALL)	218
2.1.13 CONDENSER, CM2 (Long) , GRILLE, OPTIONS 1,2 & 3	219
2.1.14 CONDENSER, CM2 (Long) , SERVICE REPLACEMENT CHASSIS	220
SECTION 2.2 CM-3 CONDENSERS	221
2.2.1 CONDENSER, CM-3, GEN 4	221
2.2.2 CONDENSER, CM-3, MCHX, VENTURI ASSEMBLY: OPTION 1	224
2.2.2 CONDENSER, CM-3, MCHX, VENTURI ASSEMBLY: OPTION 2	225
2.2.2 CONDENSER, CM-3, MCHX, VENTURI ASSEMBLY: OPTION 3	226
2.2.2 CONDENSER, CM-3, MCHX, VENTURI ASSEMBLY: OPTION 4	227
2.2.2 CONDENSER, CM-3, MCHX, VENTURI ASSEMBLY: OPTION 5	228
2.2.3 CM-3, CONDENSER GROUND/POWER HARNESS	228
2.2.4 CONDENSER, CM-3, MCHX, REPLACEMENT CHASSIS (77-01277-50)	229



TABLE OF CONTENTS

2.2.5 CONDENSER, CM-3 SLIMLINE MCHX, VENTURI ASSEMBLY (12V) COMMON PARTS: OPTION 1 231

2.2.5 CONDENSER, CM-3 SLIMLINE MCHX, VENTURI ASSEMBLY (24V) COMMON PARTS: OPTION 2 232

2.2.6 CM-3, CONDENSER HARNESS 22-62205-00: OPTION 1 233

2.2.6 CM-3, CONDENSER HARNESS 22-62258-00: OPTION 2 234

2.2.6 CM-3, CONDENSER HARNESS 22-62272-00: OPTION 3 235

2.2.7 CONDENSER COIL REPLACEMENT KIT, CM-3 SLIM LINE, MICRO-CHANNEL (MCHX) : OPTION 1 236

2.2.8 CONDENSER, CM-3, MCHX, GRILL ASSEMBLY: OPTION 1 237

2.2.8 CONDENSER, CM-3, MCHX, GRILL ASSEMBLY (CHASSIS MOUNTED): OPTION 2 237

2.2.8 CONDENSER, CM-3, MCHX, GRILL ASSEMBLY (CHASSIS MOUNTED): OPTION 3 238

2.2.8 CONDENSER, CM-3, MCHX, GRILL ASSEMBLY: OPTION 4 238

2.2.8 CONDENSER, CM-3 , MCHX, GRILL ASSEMBLY: OPTION 5 238

2.2.9 CONDENSER, CM-3 HEAVY DUTY MCHX (E-Coated), CHASSIS KIT (12V) COMMON PARTS 239

2.2.9 CONDENSER, CM-3 HEAVY DUTY MCHX, SERVICE REPLACEMENT CHASSIS (12V) 240

2.2.10 CM-3, CONDENSER HARNESS , HEAVY DUTY MCHX, 12 VDC (Y25-00079-00) . 241

2.2.11 CONDENSER, CM-3 HEAVY DUTY MCHX (Heavy Duty Fins), CHASSIS KIT (12V) COMMON PARTS 242

2.2.9 CONDENSER, CM-3 HEAVY DUTY MCHXX (Heavy Duty Fins) , SERVICE REPLACEMENT CHASSIS (12V) 243

2.2.12 CONDENSER, STACKED, CM-2/CM-3 244

SECTION 2.3 CM-5 CONDENSER 245

2.3.1 CONDENSER, CM-5 245

2.3.2 CONDENSER, CM-5, FRONT and TOP VIEWS, 77-62001-00 , -01 & -02 246

2.3.3 CONDENSER, CM-5, BACK, SIDE and BOTTOM VIEWS, 77-62001-00 , -01 & -02 . 247

2.3.4 CONDENSER, CM-5, HARNESS ASSEMBLY - 22-62012-00 248

2.3.5 CONDENSER, CM-5, SKIRT MOUNTED GRILL 248

2.3.6 LIQUID LINE ASSEMBLY, CM-5, CM-14, & C4RE, (REMOTE) 249

SECTION 2.4 CM-14 CONDENSER SERIES 250

2.4.1 CONDENSER, CM-14 STANDARD MODEL (77-62083-02, -04, -08, -09, -10 & -11) . 250

2.4.2 CONDENSER, CM-14, GRILL, STANDARD MODEL, (77-62083-02 & -04) 252

2.4.2 CONDENSER, CM-14, GRILL, CHASSIS MOUNTED - (77-62083-08 & -09) 252

2.4.3 CM-14, CONDENSER GROUND/POWER HARNESS (FOR 77-62083-02, -04, -08, -09) 252

2.4.4 CONDENSER, CM-14 C4RE MODEL (77-62083-00) 253

2.4.4 CONDENSER, CM-14 C4RE, CHECK VALVE & TUBE ASSEMBLY 254

2.4.4 CONDENSER, CM-14 C4RE, DISCHARGE VALVE ASSEMBLY (BB) 255



TABLE OF CONTENTS

- 2.4.4 CONDENSER, CM-14 C4RE, SUCTION VALVE ASSEMBLY (BB) 255
- 2.4.4 CONDENSER, CM-14 C4RE LOW AMBIENT THERMOSTAT SWITCH 255
- 2.4.5 CONDENSER, CM-14 MCHX, CHASSIS KIT (ALL) 257
- 2.4.6 CONDENSER, CM-14 MCHX, HARNESS , ELECTRICAL (ALL) 258
- 2.4.7 CONDENSER, CM-14 MCHX , GRILLE, OPTIONS 1,2 & 3 259
- 2.4.8 CONDENSER, CM-14 MCHX , SERVICE REPLACEMENT CHASSIS 260
- SECTION 2.5 CM-15 CONDENSER SERIES 261
- 2.5.1 CONDENSER, CM-15 (77-62175-00) 261
- SECTION 2.6 CM-16 CONDENSER SERIES 262
- 2.6.1 CONDENSER, CM-16 (77-62201-00) 262
- 2.6.2 CONDENSER, CM-16 (14-5101) 263
- SECTION 2.7 K410 CONDENSER SERIES 264
- 2.7.1 CONDENSER, K410, 3 MOTOR, 12V (SPAIN) 02-94-10-101-00 264
- 2.7.1 CONDENSER, K410, 3 MOTOR, 12V (SPAIN) - Continued: 266
- 2.7.2 CONDENSER, K410, 3 MOTOR, 12V (NORTH AMERICAN VERSION) 267
- 2.7.3 CONDENSER, K410 WINTERGUARD KIT (NORTH AMERICAN VERSION) ... 268
- 2.7.4 CONDENSER, K410 BRUSH GUARD KIT (NORTH AMERICAN VERSION) KIT # ... 268
- SECTION 2.8 CR410 CONDENSER SERIES 269
- 2.8.1 CHASSIS KIT , CR410 : OPTION (ALL) 270
- 2.8.2 COVERS , CR410 : OPTIONS 1 thru 4 271
- 2.8.3 WIRE HARNESS, CONDENSER 3 - 11" FANS : OPTION (ALL) 272
- SECTION 2.9 CONDENSER, CR430 Condensers 273
- INTRODUCTION 273
- CONFIGURATION IDENTIFICATION 273
- OPTION DESCRIPTION 273
- Skins Kit 273
- Refrigeration Kit 273
- Electrical Kit 273
- Frame Kit 273
- 2.9.1 CONDENSER SKINS (COVERS), CR430- OPTIONS 1 & 2 & 3 275
- 2.9.2 CHASSIS Kit (Coils), CR430- OPTIONS 1 & 2 276
- 2.9.3 REFRIGERATION PIPING KIT, CR430, DUAL LOOP- OPTION 1 277
- 2.9.3 REFRIGERATION PIPING KIT, CR430 SINGLE LOOP- OPTION 2 279
- 2.9.3 REFRIGERATION PIPING KIT, CR430 DUAL LOOP (Less Filter Driers) - OPTION 3 ... 281
- 2.9.4 FAN & MOTOR KITS, CR430 OPTION 1, 2 & 3 283
- 2.9.5 ELECTRICAL KIT, CR430 SINGLE LOOP 3 Fan- Option 1 284
- 2.9.5 ELECTRICAL KIT, CR430 DUAL LOOP 3 Fan- Option 2 285
- 2.9.5 ELECTRICAL KIT, CR430 DUAL LOOP 2 Fan- Option 3 286



TABLE OF CONTENTS

2.9.5 ELECTRICAL KIT, CR430 SINGLE LOOP 3 Fan, 24VDC, Circuit Protection Weatherpac Connectors- Option 4 287

2.9.5 ELECTRICAL KIT, CR430 SINGLE LOOP 2 Fan, 12VDC, Circuit Protection Molex Connectors- Option 5 288

2.9.5 ELECTRICAL KIT, CR430 SINGLE LOOP 3 Fan, 12VDC, Circuit Protection Molex Connectors- Option 6 289

2.9.5 ELECTRICAL KIT, CR430 DUAL LOOP 2 Fan, 24 & 12VDC
Circuit Protect, Press. Switches, Molex Connectors- Option 7 290

2.9.5 ELECTRICAL KIT, CR430 DUAL LOOP 3 Fan, 24 & 12VDC
Circuit Protect, Press. Switches, Molex Connectors- Option 8 291

SECTION 2.10 CONDENSER, 68KR4-101 SERIES 292

INTRODUCTION 292

CONFIGURATION IDENTIFICATION 292

OPTION DESCRIPTION 292

 Skins Kit 292

 Refrigeration Kit 292

 Electrical Kit 292

 Frame Kit 292

2.10.1 CONDENSER, 68KR4-101 & 68KR4-102 SERIES 294

2.10.2 CONDENSER, 68KR4-101 & 68KR4-102 SERIES, SKINS KIT - OPTION 1 & 2 295

2.10.3 CONDENSER, 68KR4-101 SERIES, REFRIGERATION KIT, DUAL LOOP - OPTION 1 ..
..... 296

2.10.3 CONDENSER, 68KR4-101 SERIES, REFRIGERANT KIT, SINGLE LOOP - OPTION 2 .
..... 298

2.10.3 CONDENSER, 68KR4-101 SERIES, REFRIGERATION KIT, DUAL LOOP - OPTION 3 ..
..... 300

2.10.3 CONDENSER, 68KR4-102 SERIES, REFRIGERATION KIT, DUAL LOOP - OPTION 4 ..
..... 302

2.10.3 CONDENSER, 68KR4-102 SERIES, REFRIGERANT KIT, SINGLE LOOP - OPTION 5 .
..... 304

2.10.3 CONDENSER, 68KR4-102 SERIES, REFRIGERATION KIT, DUAL LOOP - OPTION 6 ..
..... 306

2.10.4 CONDENSER, 68KR4-101 SERIES, ELECTRICAL KIT - OPTION 1, 2, 3 & 4 308

2.10.4 CONDENSER, 68KR4-102 SERIES, ELECTRICAL KIT - OPTIONS 5 & 6 310

2.10.4 CONDENSER, 68KR4-102 SERIES HARNESS DETAIL, OPTIONS 5 & 6 311

2.10.5 68KR4-101 SERIES, FRAME KIT, OPTION 1 (ALL) 312

2.10.6 KR4 FEED-THROUGH PLATE ASSEMBLY 313

2.10.7 KR4 BULKHEAD FEED-THROUGH ASSEMBLY (79-62105-00 REFERENCE ONLY) ..
..... 313

SECTION 2.11 CONDENSER, 68KR2/3-101 SERIES 314

INTRODUCTION 314

CONFIGURATION IDENTIFICATION 314

OPTION DESCRIPTION 314



TABLE OF CONTENTS

- Cover Kit 314
- Electrical Kit 314
- SECTION 2.11 CONDENSER, 68KR2 & 68KR3-101 SERIES 315
 - 2.11.1 CONDENSER, 68KR2 & 68KR3-101 SERIES - FRAME KIT : ALL OPTIONS 1 & 2 315
 - 2.11.2 CONDENSER, 68KR3-101 SERIES - COVER KIT - OPTIONS 1 thru 4 316
 - 2.11.3 CONDENSER, 68KR3-101 SERIES - ELECTRICAL KITS - (77-62172-01, -03, -05, -07) ...
..... 317
 - 2.11.4 CONDENSER, 68KR2-101 SERIES - COVER KIT - 77-62171-00, -02 & -05 318
 - 2.11.5 CONDENSER, 68KR2-101 SERIES - ELECTRICAL KIT - 77-62172-00, -02, -04 & -06 319
 - 2.11.6 Figure 3-1 WINTERGUARD KITS - KR2/3 - (76-62269-00 & -01) 320
 - 2.11.7 Figure 3-2 BRUSH GUARD, CONDENSER, KR2/3 AND CM-7/11 321
 - 2.11.8 FEED-THROUGH PLATE ASSEMBLIES - ROOFTOPS - (81-62138) 322
 - 2.11.9 FEED-THROUGH PLATE ASSEMBLIES - ROOFTOPS - (81-62145) 323
 - 2.11.10 FEED-THROUGH PLATE ASSEMBLIES - ROOFTOPS - (81-62156) 323
- SECTION 3 - FITTINGS & HOSE 324**
 - SECTION 3.1 FITTINGS 324
 - 3.1.1 FITTING, A-6 COMPRESSOR, (GM STYLE) 325
 - 3.1.2 FITTINGS - TM-31 326
 - 3.1.3 FITTINGS - MISCELLANEOUS 326
 - 3.1.4 FITTINGS, TEE 327
 - 3.1.5 FITTING, SWIVEL UNIONS 327
 - 3.1.6 FITTING, FLARE TO O-RING 327
 - 3.1.7 FITTING, TUBE-O, R134a 327
 - 3.1.8 FITTING, ADAPTER AND CAP 328
 - 3.1.9 FITTING, SUCTION (SPRINTER) 328
 - 3.1.10 FITTINGS - BRONZE & BRASS - MISC.: 328
 - 3.1.11 FITTINGS -BLOCK ASSEMBLY 328
 - 3.1.12 "O"-RINGS, HNBR 329
 - SECTION 3.2 COMPRESSOR FITTING KITS 330
 - 3.2.1 INSTALLATION INSTRUCTIONS FOR COMPRESSORS WITH GM STYLE PORTS ON REAR 330
 - 3.2.2 INSTALLATION INSTRUCTIONS FOR COMPRESSORS WITH GM STLE PORTS (FlexCLIK MANIFOLD FITTINGS) 330
 - 3.2.3 COMPRESSOR TO REFRIGERANT HOSE, INTERFACE FITTINGS 331
- SECTION 4 - COMPRESSORS 332**
 - 4.1 MOUNTING IDENTIFICATION 332
 - 4.2 CLUTCH IDENTIFICATION 332
 - 4.3 MANIFOLD IDENTIFICATION 333
 - 4.4 SANDEN, SD-508, (R12) 334
 - 4.5 SANDEN, SD-709, (R12) 334



TABLE OF CONTENTS

4.6	SANDEN, SD-709 (R12 & R134a)	335
4.7	SANDEN, SD-510, (R12)	336
4.8	SANDEN, SD-7H15, (R134a)	337
4.9	SANDEN SD-7H15 SHD, PARTS	338
4.10	SELTEC, TM-15, (R12)	338
4.11	SELTEC, TM-15, (R134a)	339
4.12	SELTEC, TM-15, (R134a) - Continued:	340
4.13	SELTEC, TM-16 & TM-16HS, (R134a)	340
4.13	SELTEC, TM-16 & TM-16HS, (R134a) - Continued:	341
4.14	QUE COMPRESSORS (Alternative Compressor for Valeo TM16 Line)	342
4.15	SELTEC, TM-15/16 PARTS (Replaces DK-15 Diesel Kiki Parts)	343
4.16	SELTEC, TM-21HX, (R134a)	344
4.17	QUE COMPRESSORS (Alternative Compressor for Valeo TM21 Line)	344
4.18	SELTEC, TM-26, (R12)	345
4.19	SELTEC, TM-26, (R134a)	345
4.20	SELTEC, TM-26 PARTS	345
4.21	SELTEC, TM-31, (R134a)	346
4.22	QUE COMPRESSORS (Alternative Compressor for Valeo TM31 Line)	346
4.23	SELTEC, TM-31 PARTS	346
4.24	YORK COMPRESSORS & PARTS	347
4.25	ALMA, A-6, (R134a)	347
4.26	ALMA, A-6 PARTS	348
4.27	OIL - COMPRESSOR	348
4.28	SUCTION LINE ACCUMULATOR	349
4.28	SUCTION LINE ACCUMULATORS	350
4.28	SUCTION LINE ACCUMULATORS	351
4.28	SUCTION LINE ACCUMULATORS	352
SECTION 5 - ELECTRICAL		353
5.1	FUSE AND FUSE HOLDERS	353
5.2	RELAY ASSEMBLIES, 70 Amp	354
5.3	RELAY CONNECTOR ASSEMBLIES, (40/50 Amp)	354
5.4	RELAYS - SOLENOIDS	355
5.5	SWITCHES	355
5.6	CIRCUIT BREAKER	356
5.7	TERMINAL BOARDS	356
5.8	PRESSURE SWITCHES	357
5.9	THERMOSTATS	357
5.10	DIODES-LIGHTS-RESISTORS	357
5.11	GAUGES-SENDERS	357



TABLE OF CONTENTS

5.12	HARNESS, ELECTRICAL	358
5.13	CONNECTORS, ELECTRICAL	358
5.14	ALTERNATOR, BATTERYLESS, 24VDC	359
5.15	FAN BLADES AND FAN ASSEMBLIES	360
5.16	MOTORS	360
5.17	BLOWER ASSEMBLIES	361
5.18	DRIVERS CONTROL PANEL (GEN 1 THROUGH GEN 4)	363
5.19	DRIVERS CONTROL PANEL GEN-5 (VARIABLE)	364
5.20	DRIVERS CONTROL PANEL KITS 77-62135-00, -01, -02, 03, -04 & -05	365
5.21	DRIVERS CONTROL PANEL KITS 77-62135-06 & -07	366
5.22	TEMPCON CONTROL PANELS	367
5.22.1	TEMPCON SENSOR ASSEMBLY (KITS)	367
5.22.2	TEMPCON II CONTROL PANELS	368
5.23	DRIVERS CONTROL PANEL, (TOTAL CONTROL)	369
5.24	DRIVERS CONTROL PANEL, (EnviroMATE)	370
5.25	DRIVERS CONTROL PANEL, (EnviroMATE II)	370
5.26	REPLACEMENT ELECTRICAL CONTROL PANELS, CROSS-REFERENCE MATRIX	371
5.27	ELECTRICAL CONTROL PANELS (TYPICAL)	372
5.28	ELECTRICAL Panel, Y25-00012-00	373
5.29	ELECTRICAL Panel, Y25-00013-00	374
5.30	ELECTRICAL Panel, Y25-00014-00	375
5.31	ELECTRICAL Panel, Y25-00031-00	376
5.32	ELECTRICAL CONTROL PANELS (THOMAS)	377
5.33	ELECTRICAL HARNESS Replacement Parts (THOMAS)	378
5.34	PANEL ASSEMBLIES, TOTAL CONTROL (TYPICAL)	381
5.35	CONTROL PANEL, EM-17 SPLIT, KR-4D, (24 VDC)	382
5.36	CONTROL PANEL, EM-17 & CM-5, (WITH HEAT)	384
5.37	CONTROL PANEL, EM-17 & CM-5 (W/O HEAT)	386
5.38	CONTROL PANEL, EM-17 & KR4, 91-62011-04	388
SECTION 6 - ENGINE KIT PARTS		389
6.1	BUSHINGS - IDLERS - ECCENTRICS - FAN SPACERS	389
6.2	PULLEYS	390
6.3	PULLEYS	391
6.4	BELTS, POLY-V, 6 GROOVES, 0.840 WIDTH	392
6.5	BELTS, POLY-V, 8 GROOVES, 1.120 WIDTH	393
6.6	BELTS, POLY-V, 10 GROOVES, 1.380 WIDTH	394
6.7	V-BELT, SINGLE "A" GROOVE	395
6.8	V-BELT, SINGLE "B" GROOVE	396
6.9	V-BELT, 2 GROOVE, BANDED	396



TABLE OF CONTENTS

6.10	HOSE, MISCELLANEOUS	397
6.11	INSULATION TUBE, (HEAT)	397
SECTION 7 - MISCELLANEOUS		398
7.1	HOSECOVERS AND ACCESSORIES	398
7.2	HOSECOVERS - 2 PIECE DESIGN	399
7.3	HOSECOVERS - 1 PIECE DESIGN, GRAY (ABS Plastic)	399
7.3.1	HOSECOVERS - 1 PIECE DESIGN, OYSTER WHITE (Metal)	400
7.3.2	HOSECOVERS - 1 PIECE DESIGN, OYSTER WHITE (Metal)	400
7.4	DEFLECTORS	401
7.5	LOUVERS	402
7.6	REFRIGERATION COMPONENTS	403
7.7	THERMAL EXPANSION VALVE, BLOCK	404
7.8	SIGHTGLASSES	404
7.9	DRIERS	405
7.10	PLASTIC FITTINGS	406
7.11	INSULATED CLAMPS	407
7.12	STAUFF CLAMPS	407
7.13	HOSE CLAMPS	408
7.14	CONDENSATE VALVE & DRAIN HOSE	408
7.15	MISCELLANEOUS CLAMPS	409
7.16	RETURN AIR FILTERS	409
7.16	RETURN AIR FILTERS (Continued)	409



INTRODUCTION

This parts list identifies service replacement parts for Mobile Climate Control Split System components. The air conditioning/heating system consists of a condenser module, evaporator module, electrical controls and engine compartment mounted compressor. To complete the system, the air conditioning and heating equipment interfaces with electrical cabling, engine cooling piping, duct work and other components.

Information is supplied throughout the manual in sections outlining the major components. These sections include; the Evaporator Section, Condenser Section, Power Packs & Auxiliary Drive Modules Section, Fitting & Hose Section, Compressor Section, Electrical Section, Mount Kit Section and Miscellaneous Section. Each section is divided to provide information on various sizes of equipment and where required, various generations of design. Identification of the various size equipment is identified by model designation while generation of design is identified by serial number.

ORDERING INSTRUCTIONS

All orders and inquiries for parts must include: Unit Serial Number, Part No., description of part as shown on list and quantity required. Parts can be ordered by going to the following website:

www.mcc-hvac.com

GENERAL NOTES

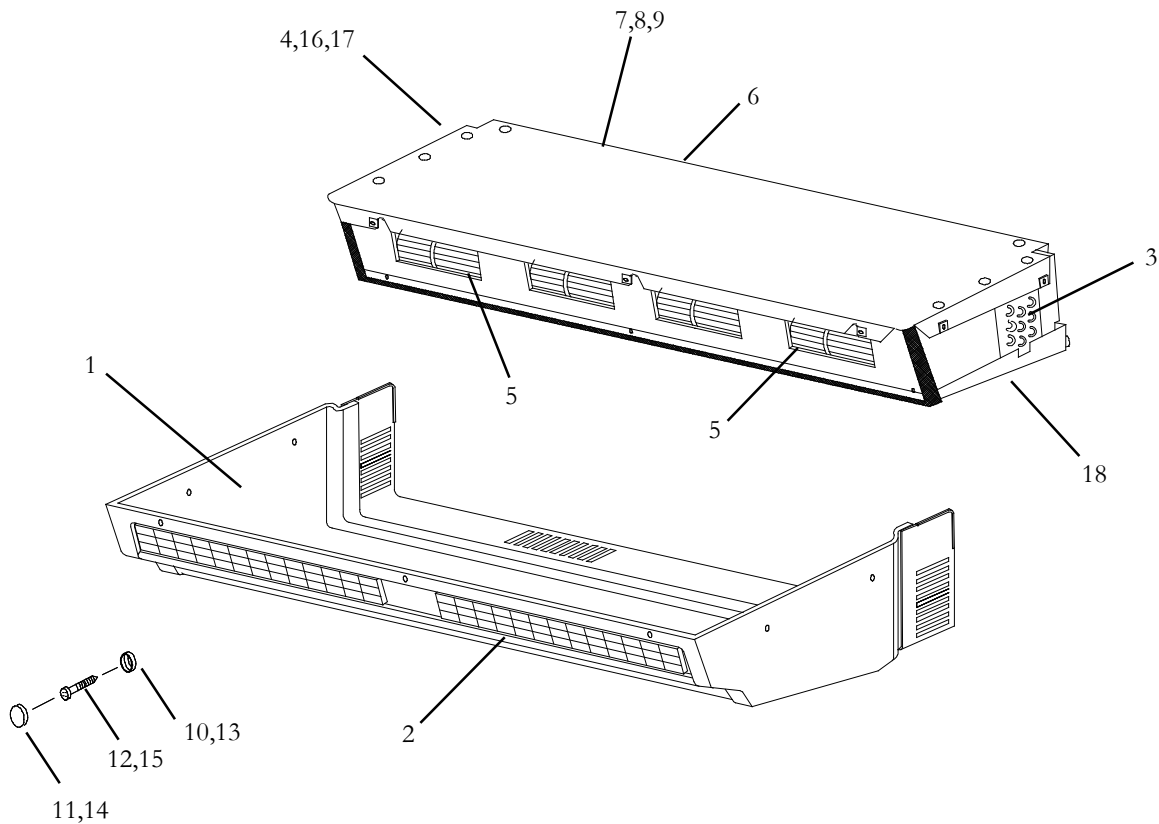
1. This catalog contains those items most commonly required for replacement purposes. If parts other than those cataloged are required, please provide the model number and serial number of the unit on which the parts are to be used and a complete description including references to items which are cataloged.
2. The replacement parts listed in this catalog are “Factory-Authorized Parts” and, as a result of “standardization,” may not be identical to the original part furnished on the equipment.
3. The following letter designations are used to classify parts throughout this list:
 - A/R = As Required,
 - H/C = Heat/Cool,
 - N/A = Not Available
 - N/S = Not Shown On Illustration
 - NSS = Not Sold Separately,
 - REF = For Reference Only
 - NSI = Non-stock Item



SECTION 1 - EVAPORATORS

SECTION 1.1 EM-1 EVAPORATORS

1.1.1 EVAPORATOR, EM-1, GEN 4, FREE BLOW



For replacement parts on units with serial #1-032501 to #.

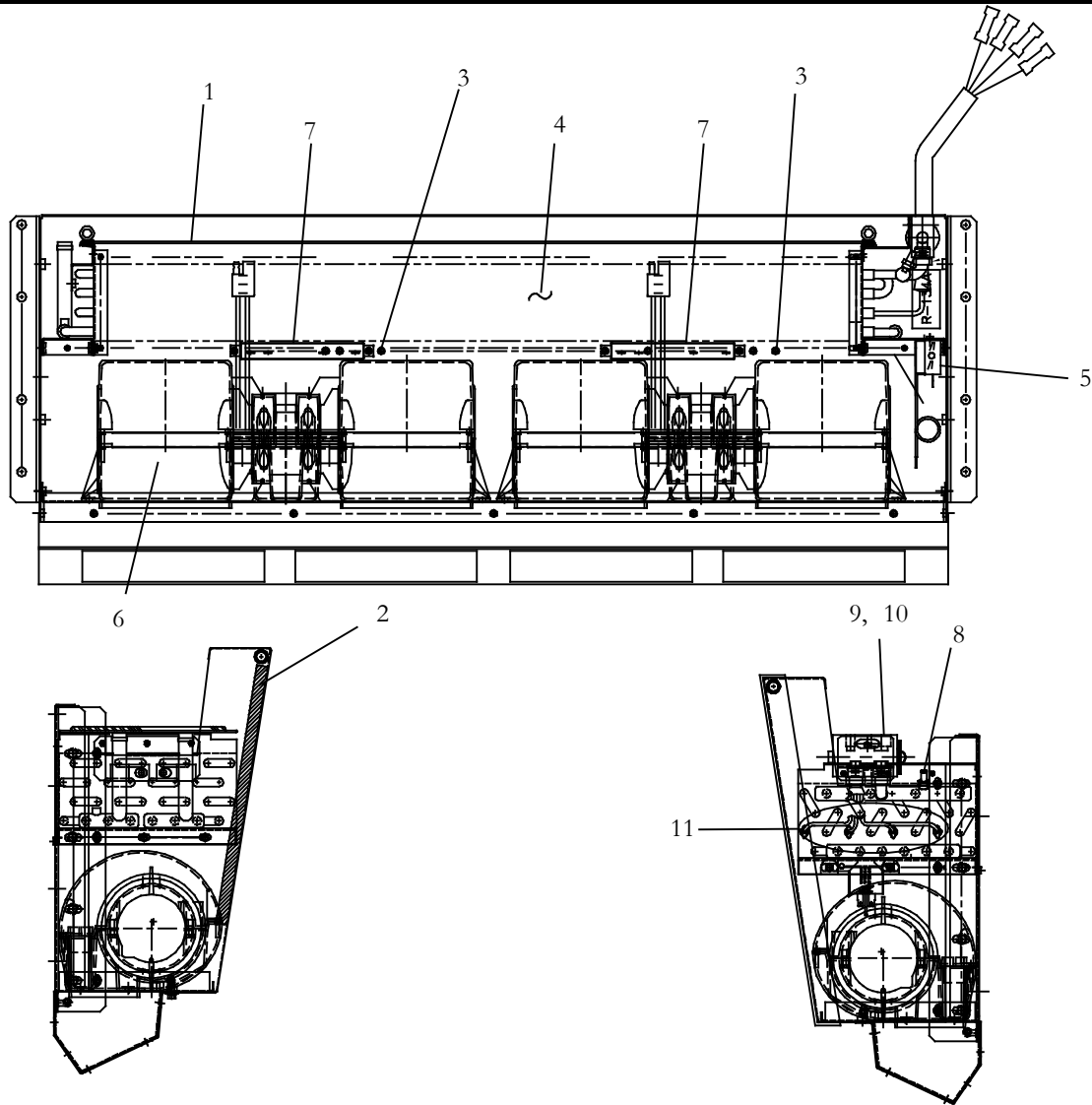
Item	Part Number	Description	Qty
1	79-62071-00	Cover Assembly, White	1
	79-62071-01	Cover Assembly, Gray	1
2	AC401-320	Louver Assembly, (14 3/8 Inch X 3 3/8 Inch)	2
3	08-62059-00	Coil, Assembly, With Low Pressure Switch Connection, With Heat	1
	08-62060-00	Coil, Assembly, With Low Pressure Switch Connection, Cool Only	1
4	14-00397-00	Thermal Expansion Valve	1
5	AC401-232	Blower Assembly, Dual, 12 Volt	2
	AC401-233	Blower Assembly, Dual, 24 Volt	2
6	AC801-405	Filter, Return Air, (35 X 7 1/4 Inch)	1
7	AC201-501	Thermostat, Freeze-Up	1



1.1.1 EVAPORATOR, EM-1, GEN 4, FREE BLOW - Continued:			
Item	Part Number	Description	Qty
8	76-62019-00	Resistor Kit, (1.8 Ohm, 4 Prong)	2
9	22-62125-00	Harness, Evaporator, GSA, 12 VDC	NSI
	22-62240-00	Harness, Evaporator, W/Low Pressure Switch, 12 VDC	NSI
	AC022-717	Harness, Evaporator, 24 VDC	NSI
10	AC801-529 Washer, Snap Cap	8
11	AC801-532 Snap Cap, Gray	8
12	NSI Screw, Pan Head, Phillips, #10 X 5/8 Inch, AB, Black	8
13	AC801-529 Washer, Snap Cap	8
14	AC801-531 Snap Cap, White	8
15	NSI Screw, Pan Head, Phillips, #10 X 5/8 Inch, AB, Black	8
16	AC201-412	Switch, Low Pressure	1
17	AC801-202	O-Ring, 1/2 Inch, TXV	2
18	79-02383-00	Drain Pan Assembly	1



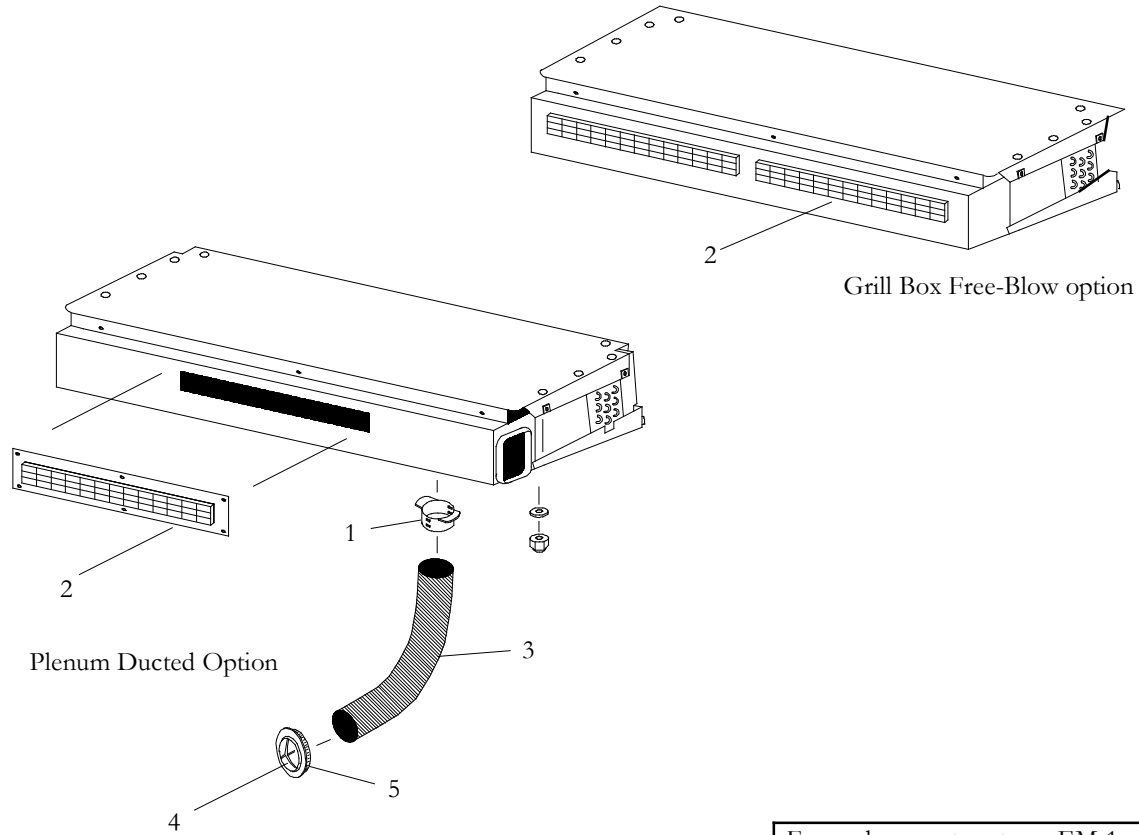
1.1.2 EVAPORATOR, EM-1, GEN 4 CHASSIS KIT WITH HEAT



Item	Part Number	Description	Qty
1	AC801-405	Filter, Return Air (.090 Thick x 8.00 x 35.38 Inches)	1
2	AC022-313	Baffel, Drain Pan, Foam	1
3	N/A	Angle, Bracket, Harness Stand-Off	2
4	08-62059-00	Coil Assembly, Evaporator/Heater, With Low Pressure Switch Connection	1
5	12-00685-00	Thermostat, Freeze-Up, Non-Adjustable	1
6	54-00588-00	Fan & Motor Assembly, Evaporator, 12 VDC	2
7	76-62019-00	Resistor Kit, (1.8 Ohm, 4 Prong)	2
8	AC201-412	Switch, Pressure, Low, Non-Adjustable	1
9	14-00397-00	Valve, Thermal Expansion, Block Type, R134a	1
10	AC801-202	O-Ring, 1/2 Inch, HNBR	2
11	42-00032-00	Tape, Insulation, Presssite, 2.00 x 30.00 Feet Long	1



1.1.3 PLENUM & GRILL BOX FOR EVAPORATORS EM-1 & 2, GEN 4



For replacement parts on EM-1 with serial #1-025002 to #1-.

For replacement parts on EM-2 with serial #2-012001 to #2-.

Item	Part Number	Description	Qty
1	AC401-307	Adapter, Hose, 2-1/2 Inch	2
2	AC401-320	Louver, 14-3/8 Inch X 3-3/8 Inch	2
3	AC301-205	Duct, Hose, 2-1/2 inch X foot	3
4	58-01386-00	Louver, Ball, 2-1/2 inch with Hose Back	2
5	AC401-306	Ring, Mounting, Louver Ball	2



**OPTION TABLE - EM1 - GEN V,
12 VDC - 3 Speed**

MODEL EM1 Gen V 77-62512	Cover Kit (see Section 1.1.6)	Chassis Kit (see Section 1.1.4)	Wire Harness (see Section 1.1.5)
-00	-	1	1
-01	-	1	2
-05	-	1	1 & 5
-06	-	1	1 & 7
-07	-	1	1 & 7
-21	1	1	1 & 5
-22	1	1	1 & 5
-23	2	1	1 & 5
-31	1	1	1 & 5
-32	1	1	1 & 5
-41	1	1	1 & 5
-42	1	1	1 & 5
-44	1	1	1 & 5
-45	1	1	1 & 5
-46	1	1	2
-47	1	1	1 & 5
-48	-	1	1 & 5
-51	2	1	1 & 5
-52	2	1	1 & 5
-61	2	1	1 & 5
-62	2	1	1 & 5
-64	2	1	2
-80	1	1	1 & 6
-81	1	1	1 & 6
-82	1	1	1 & 6
-83	1	1	1 & 6
-85	1	1	1 & 5
-90	2	1	1 & 7
-91	2	1	1 & 7
-95	1	1	1 & 5
-96	1	1	1 & 5

**OPTION TABLE - EM1 - GEN V
12 VDC - Variable Speed**

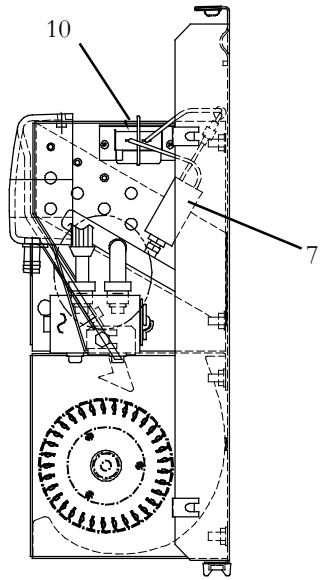
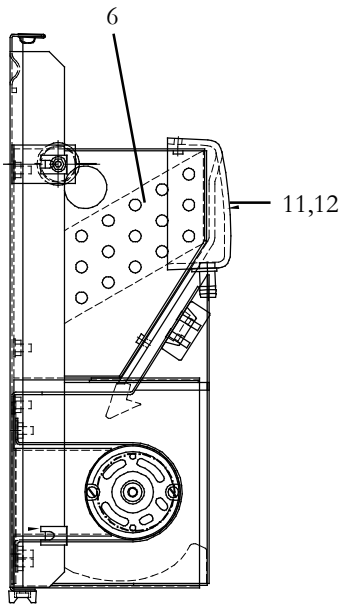
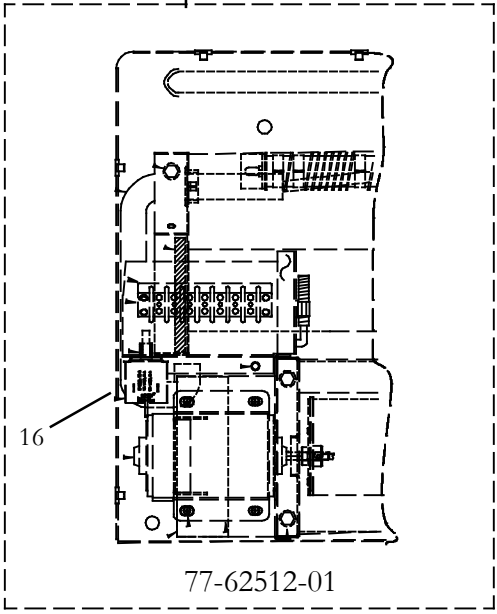
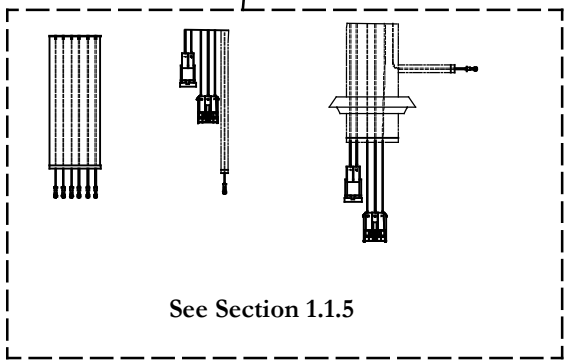
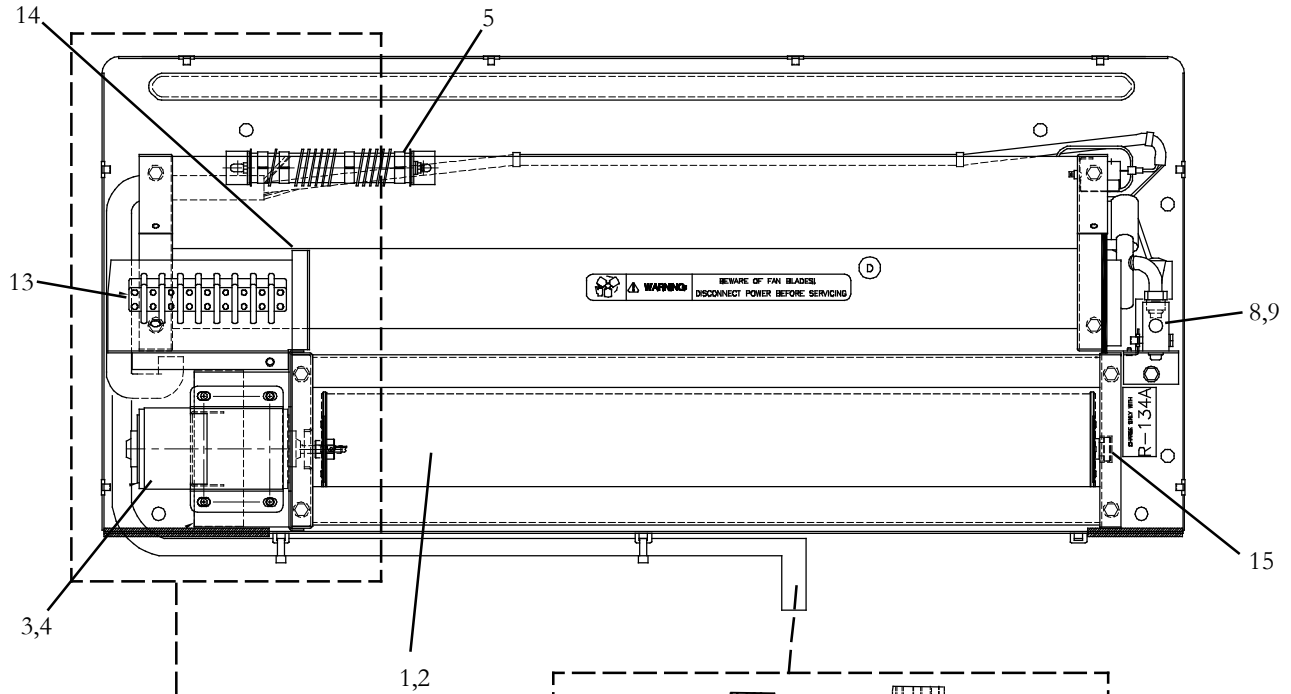
MODEL EM1 Gen V 77-62112	Cover Kit (see Section 1.1.6)	Chassis Kit (see Section 1.1.4)	Wire Harness (see Section 1.1.5)
-00	-	1	3
-01	-	1	4
-21	1	1	3
-22	1	1	3
-31	1	1	3
-32	1	1	3
-41	1	1	3
-42	1	1	3
-44	1	1	3
-45	1	1	3
-51	2	1	3
-52	2	1	3
-61	2	1	3
-62	2	1	3
-80	1	1	3 & 8
-82	1	1	3 & 8

**OPTION TABLE - EM1 - GEN V
24 VDC - Variable Speed**

MODEL EM1 Gen V 77-62124	Cover Kit (see Section 1.1.6)	Chassis Kit (see Section 1.1.4)	Wire Harness (see Section 1.1.5)
-00	N/A	1	3
-41	1	1	3
-42	1	1	3
-61	2	1	3
-62	2	1	3



1.1.4 EM-1, GEN-V, 3 SPEED CHASSIS KITS 77-62512-XX (COMMON PARTS): OPTION 1



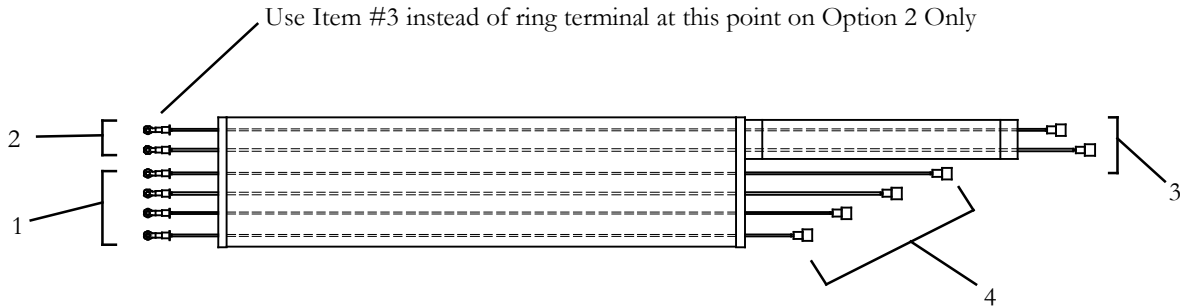


1.1.4 EM-1, GEN-V, 3 SPEED CHASSIS KITS 77-62512-XX (COMMON PARTS) - Cont:			
Item	Part Number	Description	Qty
1	38-00564-50Blower Wheel (Length: 29.12 Inches - 739.8 mm)	1
2	34-00482-05Set Screw, Cup Point, 1/4-28, SST	1
3	Y45-00005-50	Motor, Evaporator, EM-1, 12 VDC, (GEN-V)	1
	22-62328-00Fuse, 40A (Gen V 12 VDC)	1
4	Y45-00005-53	Motor, Evaporator, EM-1, 24 VDC, (GEN-V)	1
	22-62328-02Fuse, 25A (Gen V 24 VDC)	1
5	22-62169-00	Resistor, Fan Speed, 220 Watt, .820 OHM (3 Speed Application ONLY)	1
6	08-01068-00Coil Assembly, EM-1	1
7	AC201-412Switch, Pressure, Low	1
8	14-00397-00Valve, Thermal Expansion, R134a	1
9	AC801-202O-Ring, 1/2 Inch	2
10	12-00685-00	Thermostat, Freeze, Non-Adjustable	1
11	79-62106-00	Drain Pan Assembly, EM-1 - Includes:	1
12	42-62140-00Baffle, Drain Pan, Foam	1
13	22-62100-00	Terminal Block, 7 Position, With Screws	1
14	58-62064-00F25	Trim Seal, 1/8 Inch Grip, (25 Foot Roll)	1
15	76-62257-00	Bearing Housing & Boot Repair Kit	1
16	AC201-500	Thermostat, Return Air Sensor (Used on 77-62512-01, -46 & -64 ONLY)	1



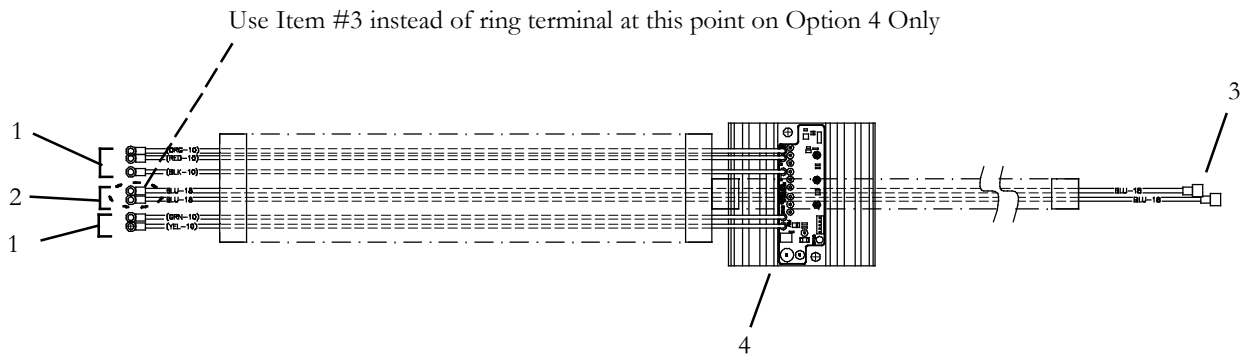
NOTE: Complete Wire Harnesses are Non-Stock Items. Replacement Components are Listed and can be cross referenced to supplier part number in manual T-375PL.

1.1.5 EM1 GEN-V, Wire Harness 22-62168-00 & -01: OPTION 1 & OPTION 2



Item	Part Number	Description	Qty
1	22-00119-03	Terminal Ring #10, 12/10 AWG	4
2	22-00121-27	Terminal Ring #10, 22/18 AWG	2
3	22-02245-02	Terminal, Female, Fully Insulated Faston Straight 1/4", 22/18 AWG	2/3
4	31-1247	Terminal, Female, Fully Insulated Faston Straight 1/4", 12/10 AWG	4

1.1.5 EM1 GEN-V, Wire Harness 22-62099-00 & -01: OPTION 3 & OPTION 4

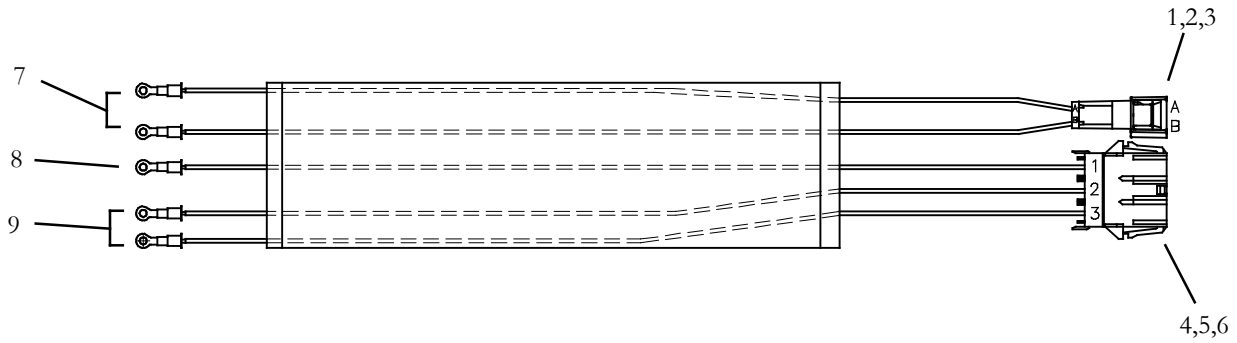


Item	Part Number	Description	Qty
1	22-01140-02	Terminal Ring #10, 12/10 AWG	5
2	22-00121-27	Terminal Ring #10, 22/18 AWG	2
3	22-02245-02	Terminal, Female, Fully Insulated Faston Straight 1/4", 22/18 AWG	2/4
4	12-00533-00	Speed Controller w/Harness	1



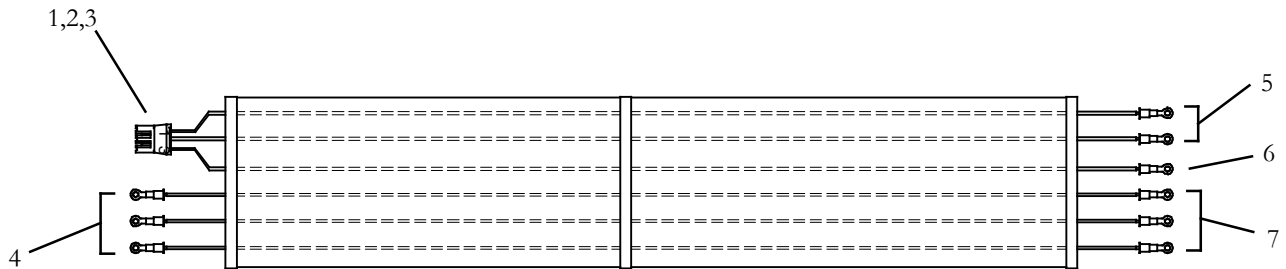
NOTE: Complete Wire Harnesses are Non-Stock Items. Replacement Components are Listed and can be cross referenced to supplier part number in manual T-375PL.

1.1.5 EM1 GEN-V, Wire Harness 22-62286-00: OPTION 5



Item	Part Number	Description	Qty
1	22-50099-37	Connector, Male, 2 Way, MP 280 Series, Unsealed	1
2	22-50099-37A	Terminal, Male, 16/18 AWG	2
3	22-50099-37D	Lock, Secondary	1
4	22-50099-32	Connector, Plug Housing, 3 Way, Molex	1
5	22-50099-32A	Terminal, Male, Molex 10/12 AWG	2
6	22-50099-32B	Terminal, Male, Molex, 8 AWG	1
7	22-00121-27	Terminal Ring #10, 22/18 AWG	2
8	22-00119-03	Terminal Ring #10, 12/10 AWG	2
9	22-00872-01	Terminal Ring #10, 8 AWG	1

1.1.5 EM1 GEN-V, Wire Harness 22-62261-00: OPTION 6

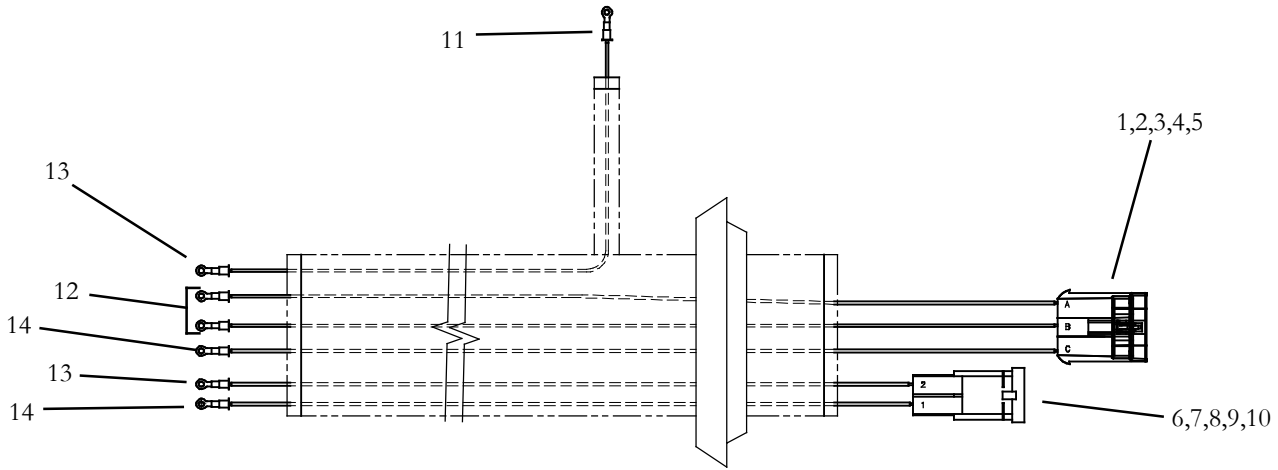


Item	Part Number	Description	Qty
1	Y31-00007-00	Connector, Female, Molex, 3 Way	1
2	Y31-00007-50	Terminal, Female, Molex, 18-20 AWG	2
3	Y31-00007-51	Terminal, Female, Molex, 14-16 AWG	1
4	22-01140-04	Terminal, Ring $\frac{3}{8}$ ", 12/10 AWG	3
5	22-00121-27	Terminal, Ring, #10 - 18 AWG	2
6	22-01139-02	Terminal, Ring, #10 - 14/16 AWG	1
7	22-01140-02	Terminal, Ring, #10 - 12/10 AWG	3



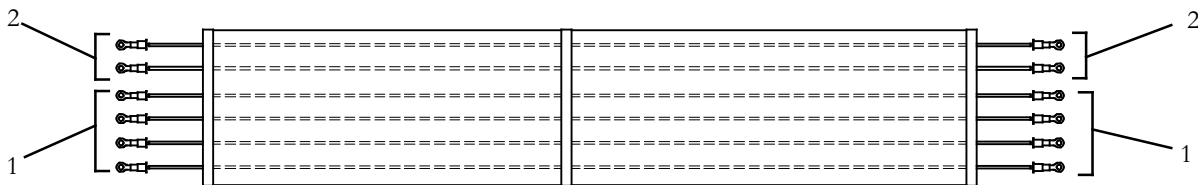
NOTE: Complete Wire Harnesses are Non-Stock Items. Replacement Components are Listed and can be cross referenced to supplier part number in manual T-375PL.

1.1.5 EM1 GEN-V, Wire Harnesses 22-62247-00 & 22-62204-00: OPTION 7



Item	Part Number	Description	Qty
1	22-50078-86	Connector, Male, M/P 630, 3 Way	1
2	22-50078-49A	Terminal, Male, 18 AWG	2
3	22-50078-49C	Terminal, Male, 12 AWG	1
4	22-50078-86B	Cable Seal	3
5	22-50078-86A	Lock, Secondary	1
6	22-50098-67	Connector, Male, Tyco, 2 Way	1
7	22-50098-67B	Terminal, Male, 8 AWG	1
8	22-50098-67A	Terminal, Male, 10/12 AWG	1
9	22-50098-67C	Cable Seal, 10/12 AWG	1
10	22-50098-67D	Cable Seal, 8 AWG	1
11	22-00872-03	Terminal, Ring 5/16", 8 AWG	2
12	22-00121-27	Terminal, Ring, #10 - 18 AWG	2
13	22-00872-01	Terminal, Ring, #10 - 8 AWG	2
14	22-00119-03	Terminal, Ring, #10 - 12/10 AWG	2

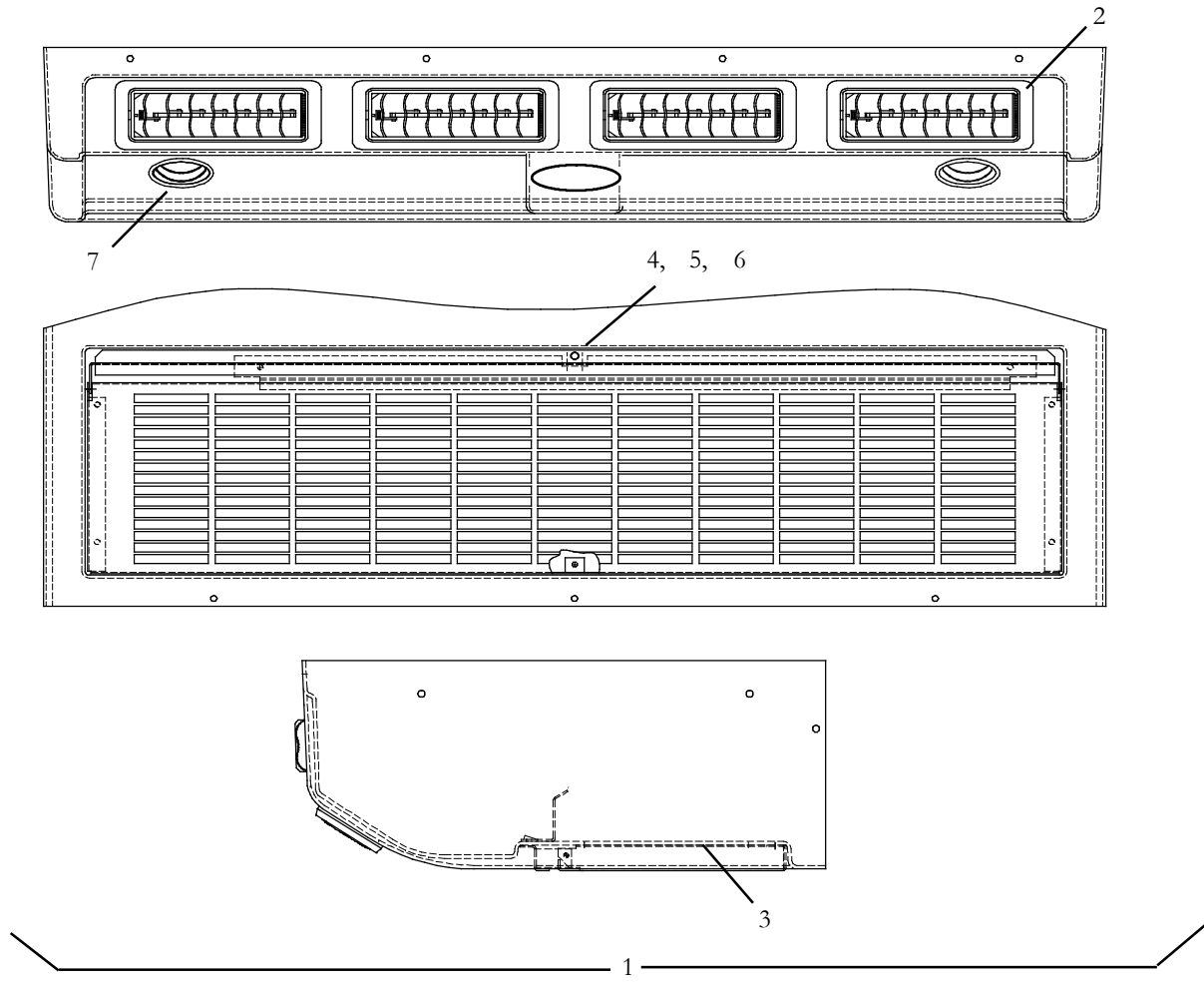
1.1.5 EM1 GEN-V, Wire Harness 22-62194-00: OPTION 8



Item	Part Number	Description	Qty
1	22-01140-02	Terminal Ring #10, 10 AWG	8
2	22-00121-27	Terminal Ring #10, 22/18 AWG	4



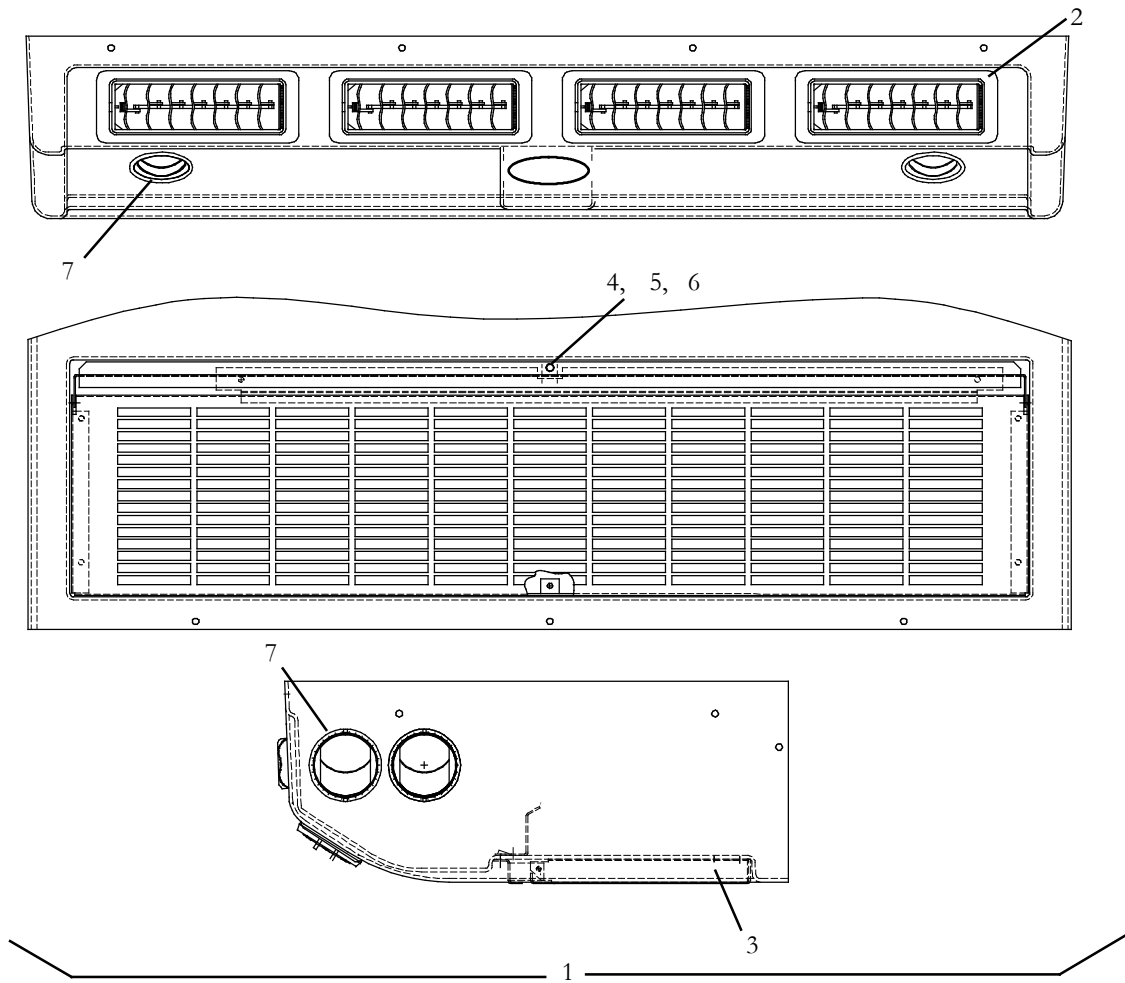
1.1.6 COVER ASSEMBLY, EM-1, GEN-V, 3 SPEED, REAR MOUNT - OPTION 1



Item	Part Number	Description	Qty
1	79-62035-01	Cover Assembly, Complete, Rear Mount, White - Includes:	1
	79-62035-02	Cover Assembly, Complete, Rear Mount, Gray - Includes:	1
2	58-62042-00Louver, Rectangle (8.0 X 3.0 Inches)	4
3	38-00573-01Filter, Air, EM-1, 36.5 X 9 Inches (GenV)	1
4	34-62019-00Receptacle, 1/4 Turn	1
5	34-62020-00Stud, 1/4 Turn, .25 Grip Range	1
6	34-06169-01Washer, Retaining, .215 I. D.	1
7	58-62077-00Louver, Adjustable, 3.00 Inch (Round)	2



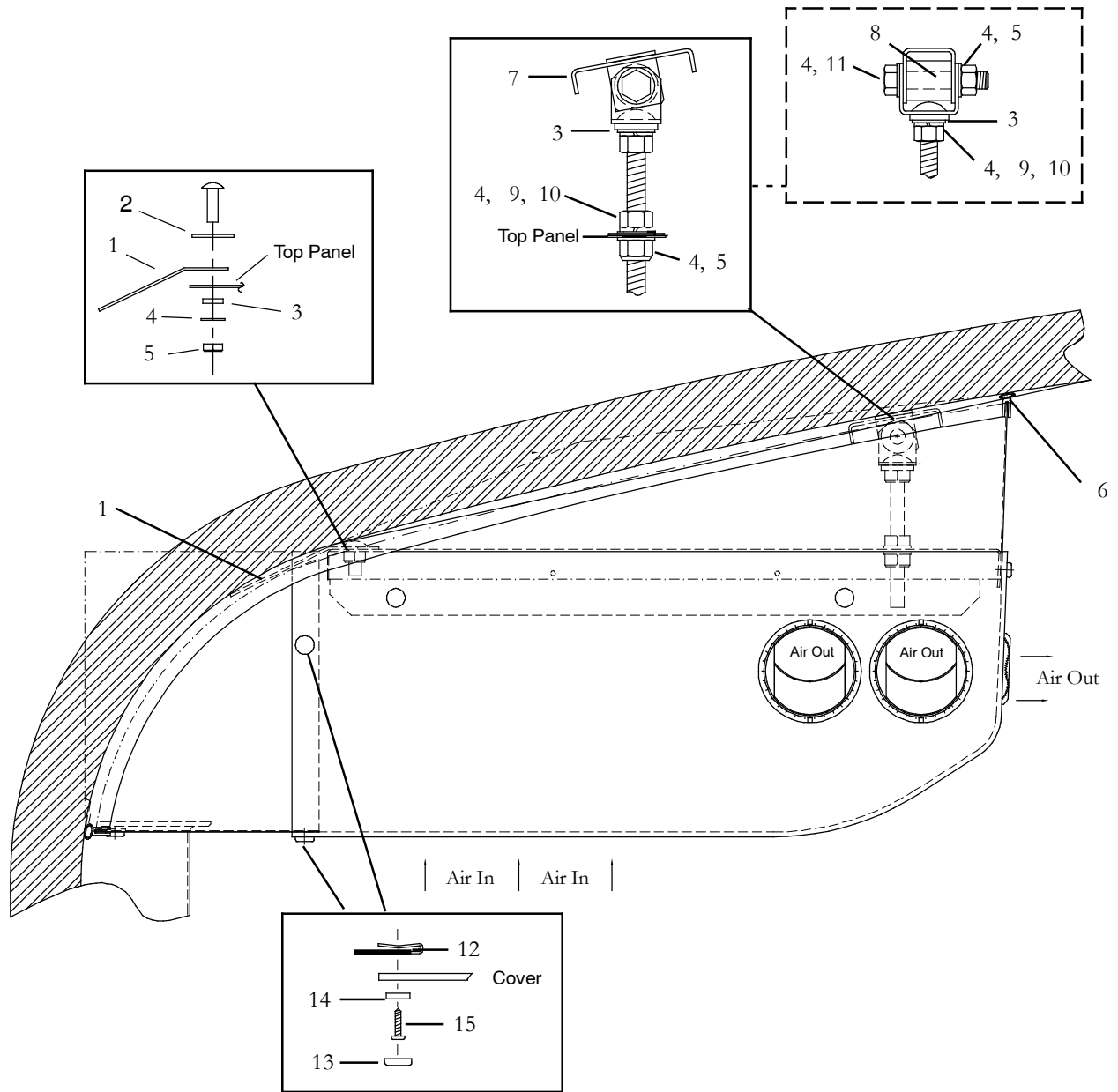
1.1.6 COVER ASSEMBLY, EM-1, GEN-V, 3 SPEED, SIDE MOUNT - OPTION 2



Item	Part Number	Description	Qty
1	79-62036-01	Cover Assembly, Complete, Side Mount, White - Includes:	1
	79-62036-02	Cover Assembly, Complete, Side Mount, Gray - Includes:	1
2	58-62042-00Louver, Rectangle (8.0 X 3.0 Inches)	4
3	38-00573-01Filter, Air, EM-1, 36.5 X 9 Inches (GenV)	1
4	34-62019-00Receptacle, 1/4 Turn	1
5	34-62020-00Stud, 1/4 Turn, .25 Grip Range	1
6	34-06169-01Washer, Retaining, .215 I. D.	1
7	58-62077-00Louver, Adjustable, 3.00 Inch (Round)	6



1.1.7 MISCELLANEOUS INSTALLATION COMPONENTS, EM-1, GEN-V, SIDE MOUNT



Item	Part Number	Description	Qty
1	68-63875-00	Rear Hanger, Side Mount	1
2	68-63874-00	Plate, Washer	2
3	AC601-602	Spacer, Steel, 7/8 OD X 1/2 ID X 1/8 Inch Long	2
4	NSI	Washer, Flat, 3/8 Inch, Zinc Plated	8
5	NSI	Nut, Hex, Lock, 3/8-16, Zinc Plated	6
6	AC801-412F25	Gasket, Trimlock, Black (25 Ft. Roll)	1
7	AC020-174	Bracket, Weld Assembly, Front Hanger	1
8	AC601-616	Spacer, Steel, 7/8 OD X 1/2 ID X 1 Inch Long	2
9	NSI	Washer, Split Lock, 3/8 Inch, Zinc Plated	6



1.1.7 INSTALLATION COMPONENTS, EM-1, GEN-V, SIDE MOUNT - Continued:			
Item	Part Number	Description	Qty
10	NSI	Nut, Hex, 3/8-16, Zinc Plated	4
11	NSI	Bolt, Hex Head, 3/8-16 X 2 Inch, Zinc Plated, Grade 8	2
12	AC701-123	Tinnerman Clip, Hi Torque, #10 AB	8
13	AC801-531	Cap, Snap, White	8
	AC801-532	Cap, Snap, Gray	8
14	AC801-529	Washer, Snap Cap	8
15	NSI	Screw, Pan Head Phillips, #10 X 5/8 Inch, AB, Black	8

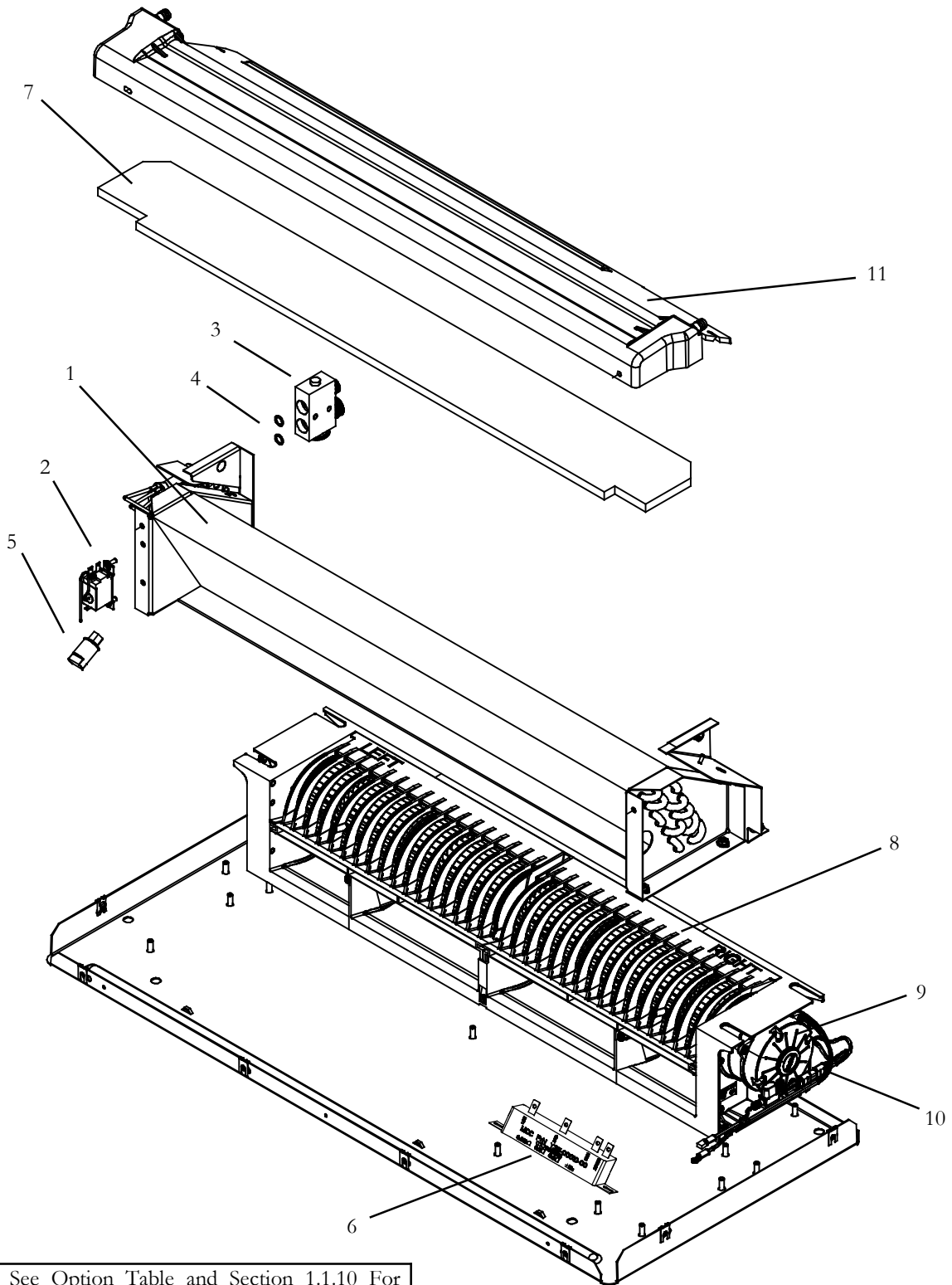


OPTION TABLE - EM1 - GEN VI

MODEL EM1 Y73-EM101	Cover Kit <small>(see Section 1.1.9)</small>	Chassis Kit <small>(see Section 1.1.8)</small>	Wire Harness <small>(see Section 1.1.10)</small>
-21	1	1	1
-22	1	1	1
-23	2	1	1
-31	1	1	1
-32	1	1	1
-41	1	1	1
-42	1	1	1
-44	1	1	1
-45	1	1	1
-47	1	1	1
-61	2	1	1
-62	2	1	1
-64	2	1	1
-81	1	1	2
-83	1	1	2
-91	2	1	3
-96	1	1	1



1.1.8 EM-1, GEN-VI, 3 SPEED CHASSIS KITS Y73-EM101-00 thru -02 (COMMON PARTS): OPTION 1



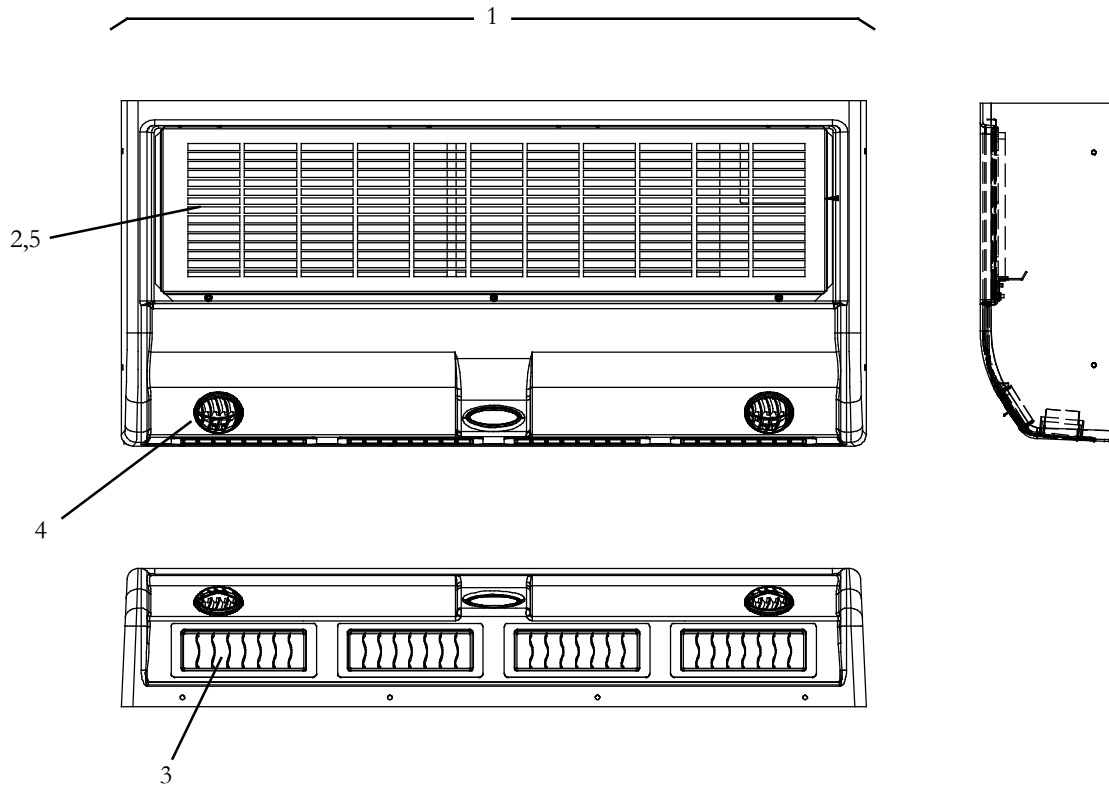
NOTE: See Option Table and Section 1.1.10 For Y73-EM101-00 thru -02 Wire Harnesses



1.1.8 EM-1, GEN-VI, 3 SPEED CHASSIS KITS Y73-EM101-00 thru -02 (COMMON PARTS) : OPTION 1- Cont:			
Item	Part Number	Description	Qty
1	08-01068-00	Coil Assembly, Evaporator	1
2	12-00685-00	Thermostat	1
3	14-00397-00	Expansion Valve	1
4	AC801-202	O-Rings, 1/2" HN BR	2
5	AC201-412	Pressure Switch, Low	1
6	Y35-00010-00	Resistor, 12 VDC, With Screw Terminals	1
7	42-62140-00	Baffle, Evaporator	1
8	54-00646-00	Blower Assembly, 12VDC, Includes:	1
9	54-00646-50	Blower Motor, 12VDC	2
10	54-00646-60	Harness, Blower Motor, 12VDC	1
11	58-62186-00	Drain Pan	1



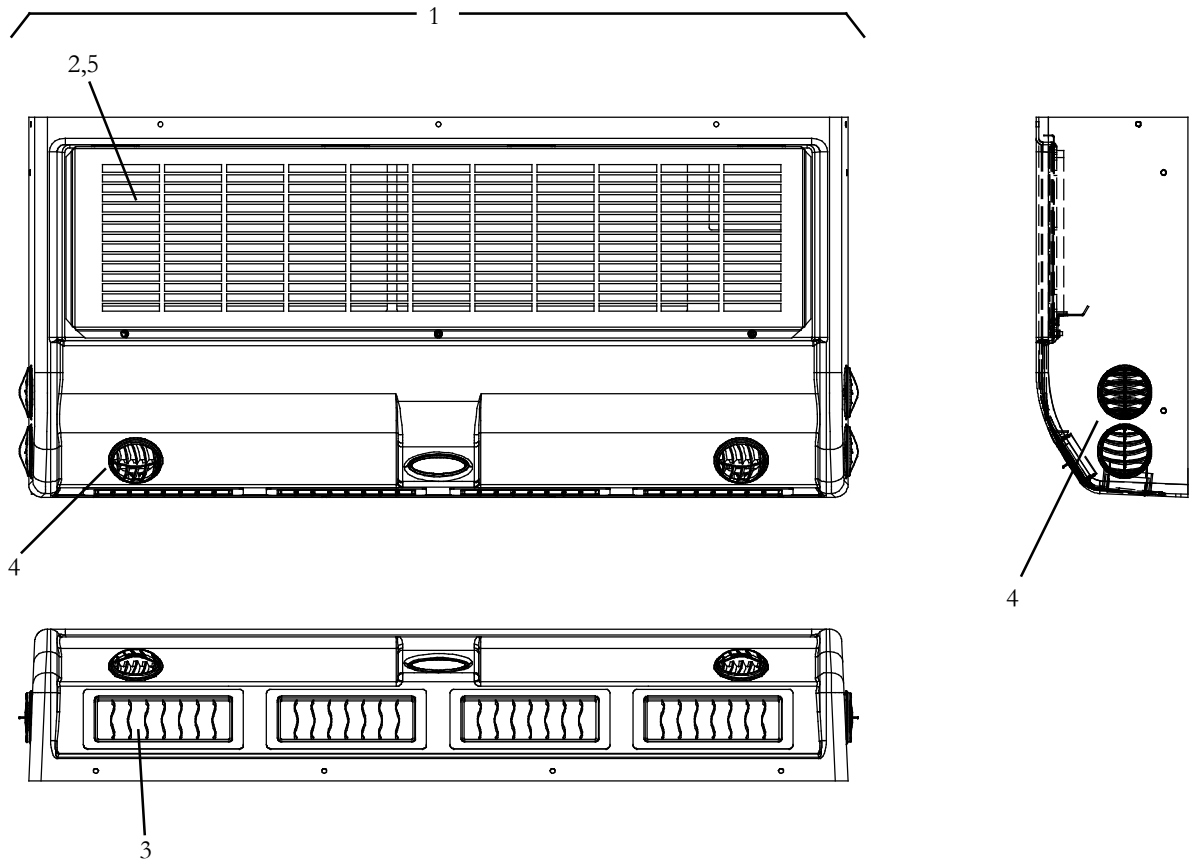
1.1.9 EM-1, GEN-VI, COVER ASSEMBLY, REAR MOUNT : OPTION 1
(Used on MODELS Y19-EM101-21,-22,-31,-32,-41,-42,-44,-45,-47,-81,-83 & -96)



Item	Part Number	Description	Qty
1	Y28-00025-00	Cover Assembly, Gray, (used on -22,-32,-42,-44,-47,-83 & -96))	1
	Y28-00025-01	Cover Assembly, White, (used on -21,-31,-41,-45 & -81))	1
2	38-00573-01	Filter, Air	1
3	58-62042-00	Diffuser, Air, Adjustable Rectangular	4
4	Y23-00002-00	Louver, 2.5" Fixed Vane	2
5	Y24-00108-00	Grille, Return Air	1



1.1.9 EM-1, GEN-VI, COVER ASSEMBLY, SIDE MOUNT: OPTION 2
(Used on MODELS Y19-EM101-23,-61,-62,-64 & -91)

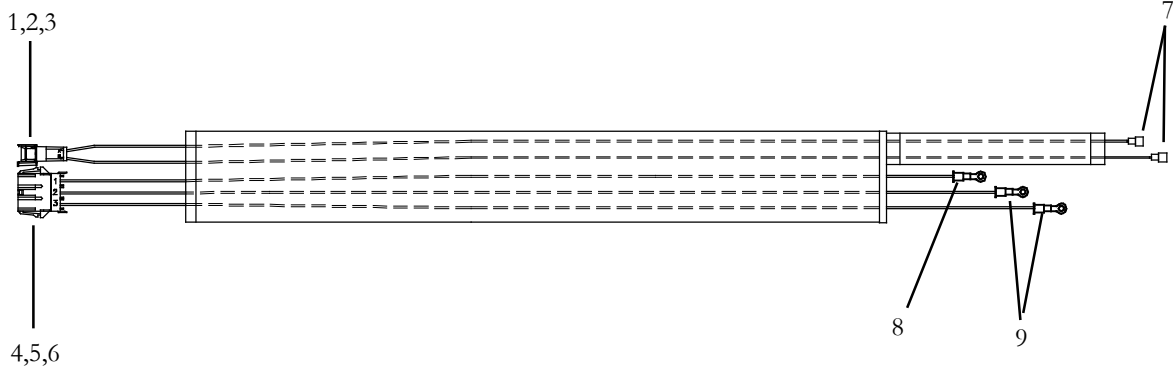


Item	Part Number	Description	Qty
1	Y28-00025-02	Cover Assembly, Gray, (used on -23,-62,-64 & -91))	1
	Y28-00025-03	Cover Assembly, White, (used on -61)	1
2	38-00573-01	Filter, Air	1
3	58-62042-00	Diffuser, Air, Adjustable Rectangular	4
4	Y23-00002-00	Louver, 2.5" Fixed Vane	6
5	Y24-00108-00	Grille, Return Air	1



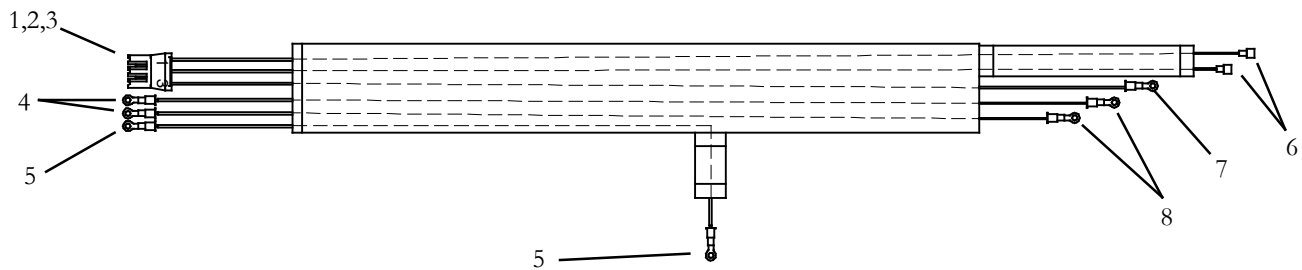
NOTE: Complete Wire Harnesses are Non-Stock Items. Replacement Components are Listed and can be cross referenced to supplier part number in manual T-375PL.

1.1.10 EM1 GEN-VI, Wire Harness 22-62303-00: OPTION 1



Item	Part Number	Description	Qty
1	22-50099-37	Connector, Male, MP 280 Series, Unsealed	1
2	22-50099-37A	Terminal, Male, 16/18 AWG	2
3	22-50099-37D	Lock, Secondary	1
4	22-50099-32	Connector, Plug Housing, 3 Way, Molex	1
5	22-50099-32A	Terminal, Male, Molex 10/12 AWG	2
6	22-50099-32B	Terminal, Male, Molex, 8 AWG	1
7	22-02245-02	Terminal, Female, Fully Insulated, 22/18 AWG	2
8	22-02245-01	Terminal, Ring, #10 - 8 AWG	1
9	22-01140-02	Terminal, Ring, #10 - 12/10 AWG	2

1.1.10 EM1 GEN-VI, Wire Harness 22-62303-01: OPTION 2

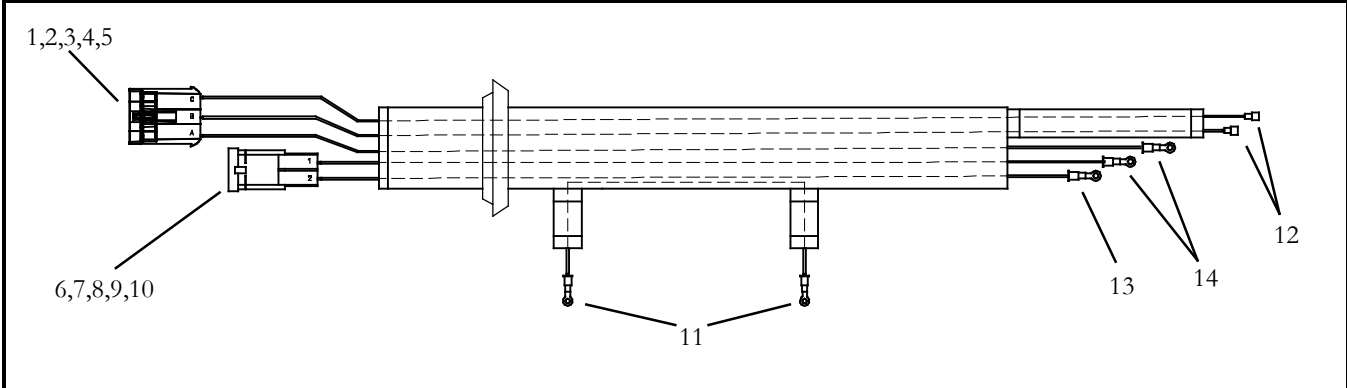


Item	Part Number	Description	Qty
1	Y31-00007-00	Connector, Female, Molex, 3 Way	1
2	Y31-00007-50	Terminal, Female, Molex, 18-20 AWG	2
3	Y31-00007-51	Terminal, Female, Molex, 14-16 AWG	1
4	22-01140-04	Terminal, Ring 3/8", 12/10 AWG	2
5	22-00872-03	Terminal, Ring 5/16", 8 AWG	2
6	22-02245-02	Terminal, Female, Fully Insulated, 22/18 AWG	2
7	22-01139-02	Terminal, Ring, #10 - 14/16 AWG	1
8	22-01140-02	Terminal, Ring, #10 - 12/10 AWG	2



NOTE: Complete Wire Harnesses are Non-Stock Items. Replacement Components are Listed and can be cross referenced to supplier part number in manual T-375PL.

1.1.10 EM1 GEN-VI, Wire Harness 22-62303-02: OPTION 3



Item	Part Number	Description	Qty
1	22-50078-86	Connector, Male, M/P 630, 3 Way	1
2	22-50078-49A	Terminal, Male, 18 AWG	2
3	22-50078-49C	Terminal, Male, 12 AWG	1
4	22-50078-86B	Cable Seal	3
5	22-50078-86A	Lock, Secondary	1
6	22-50098-67	Connector, Male, Tyco, 2 Way	1
7	22-50098-67B	Terminal, Male, 8 AWG	1
8	22-50098-67A	Terminal, Male, 10/12 AWG	1
9	22-50098-67C	Cable Seal, 10/12 AWG	1
10	22-50098-67D	Cable Seal, 8 AWG	1
11	22-00872-03	Terminal, Ring 5/16", 8 AWG	2
12	22-02245-02	Terminal, Female, Fully Insulated, 22/18 AWG	1
13	22-00872-01	Terminal, Ring, #10 - 8 AWG	1
14	22-01140-02	Terminal, Ring, #10 - 12/10 AWG	2

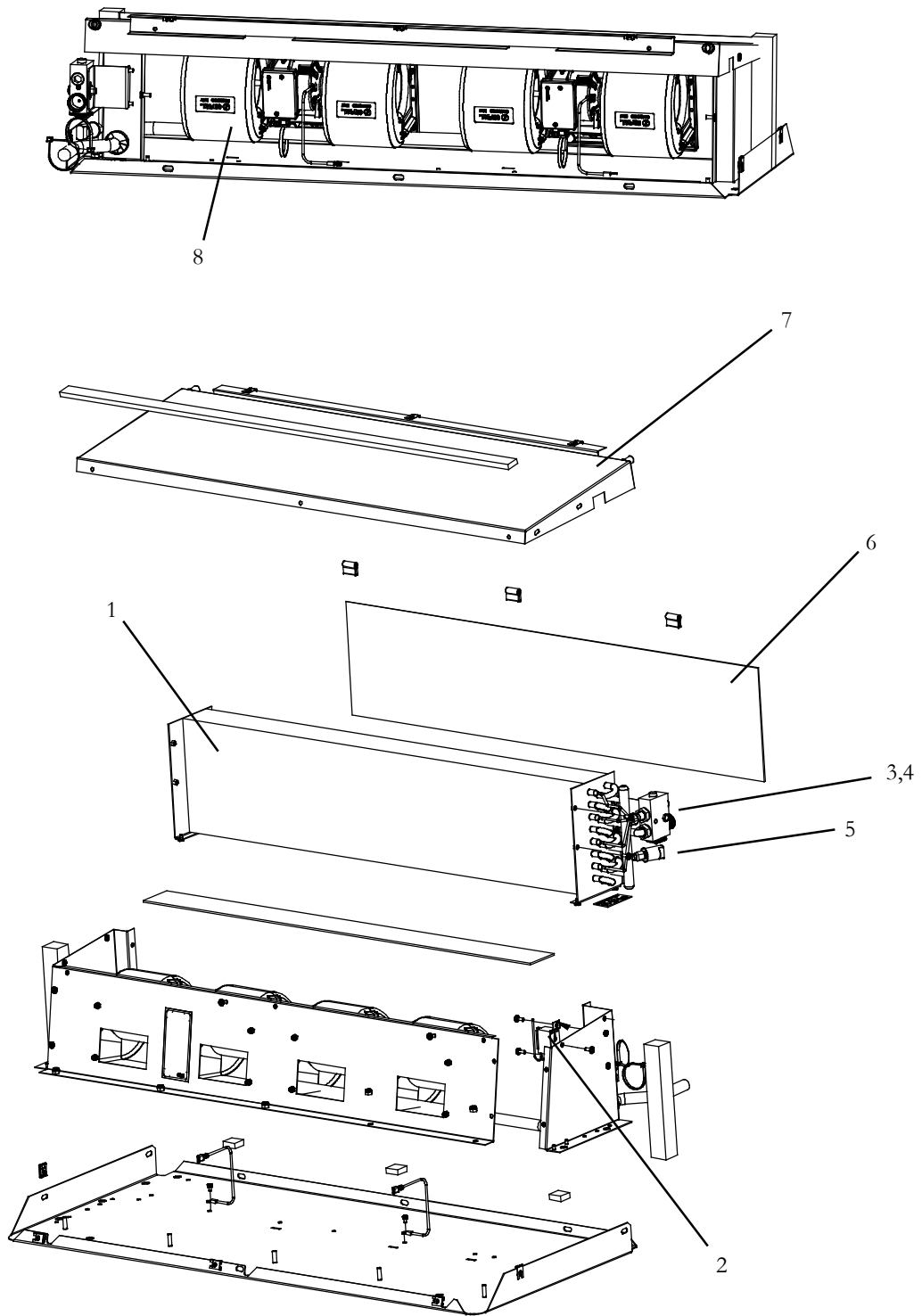


OPTION TABLE - EM1 - CLASSIC LINE

MODEL EM1 Y19-EM107	Cover Kit <small>(see Section 1.1.9)</small>	Chassis Kit <small>(see Section 1.1.11)</small>	Wire Harness <small>(see Section 1.1.13)</small>
-00	-	1	1
-01	-	2	1
-21	2	1	1
-22	1	1	1
-23	2	2	1
-24	1	2	1
-30	2	1	1
-31	1	1	1
-32	2	2	1
-33	1	2	1
-80	2	2	2
-82	1	2	2



1.1.11 EM-1, CLASSIC LINE, 12 VDC, 3 SPEED CHASSIS KITS Y73-EM103-00 & 01 , OPTION 1 & 2

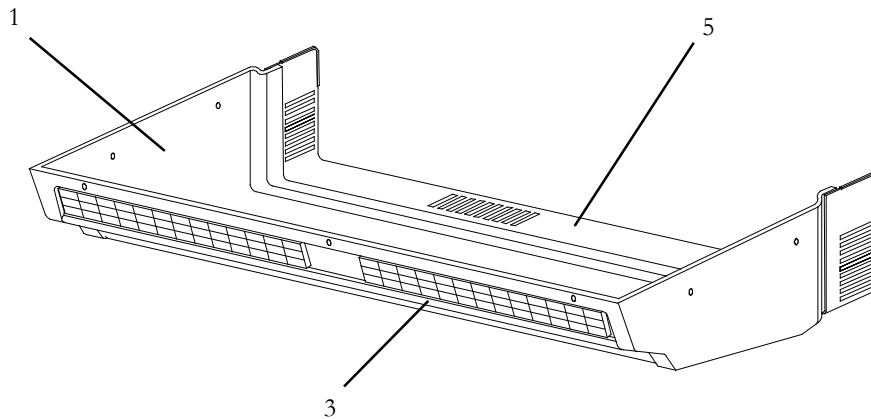




1.1.11 EM-1, CLASSIC LINE, 12 VDC, 3 SPEED CHASSIS KITS Y73-EM103-00 & 01, OPTION 1 & 2, Cont:			
Item	Part Number	Description	Qty
1	08-62060-00	Coil Assembly, Evaporator (Cool Only): OPTION 1	1
	08-62059-00	Coil Assembly, Evaporator (With Heat): OPTION 2	1
2	12-00685-00	Thermostat	1
3	14-00397-00	Expansion Valve	1
4	AC801-202	O-Rings, 1/2" HN BR	2
5	AC201-412	Pressure Switch, Low	1
6	AC801-405	Filter, Air	1
7	79-02383-00	Drain Pan Assembly	1
8	Y15-00003-00	Blower Assembly, 12VDC, w/Resistor	2



1.1.12 EM-1, CLASSIC LINE, COVER ASSEMBLY, REAR MOUNT : OPTION 1 & 2

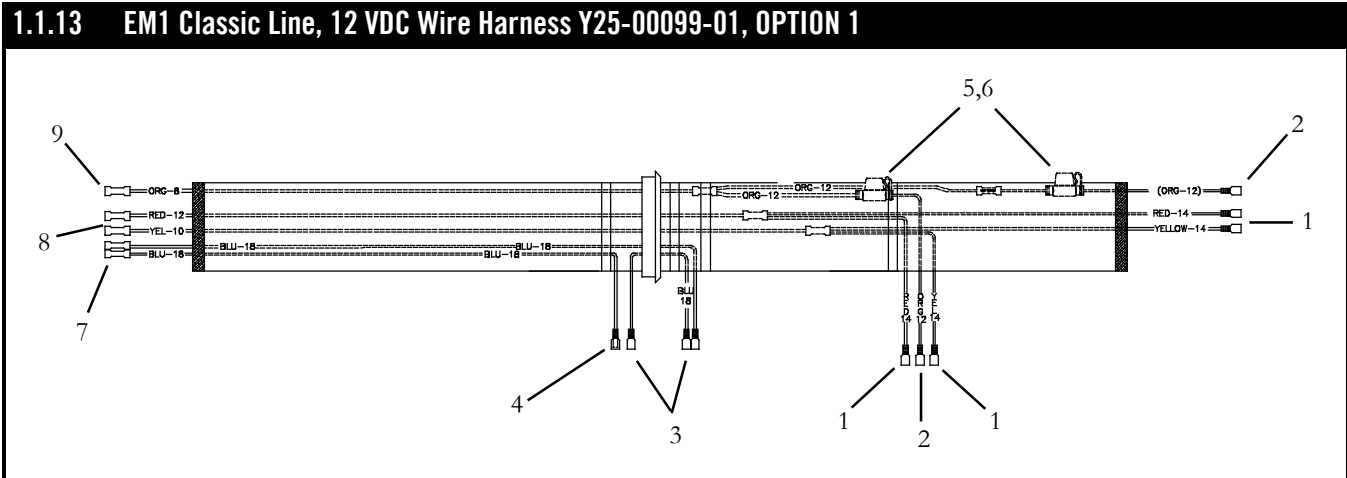


Item	Part Number	Description	Qty
1	79-62071-01	Cover Assembly, Gray, Includes: OPTION 1	1
	79-62071-00	Cover Assembly, White, Includes: OPTION 2	1
2	AC401-320	Diffuser, Air, Adjustable Rectangular	2
3	AC022-251	Grille, Return Air	1



NOTE

Complete Wire Harnesses are Non-Stock Items. Replacement Components are Listed and can be cross referenced to supplier part number in manual T-375PL.



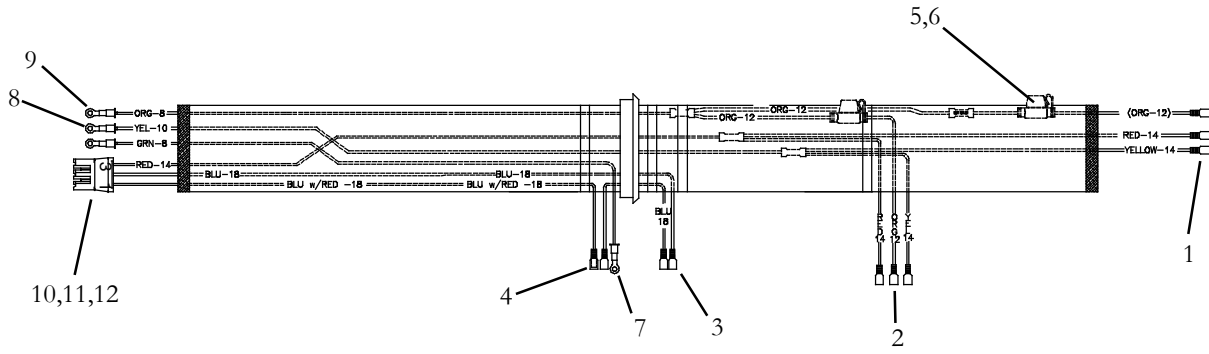
Item	Part Number	Description	Qty
1	22-01141-01	Terminal, Female, 1/4" Pushon, Insulated 16-14 AWG	4
2	22-01142-01	Terminal, Female, 1/4" Pushon, Insulated 10-12 AWG	2
3	22-02245-02	Terminal, Female, 1/4" Pushon, Insulated 22-18 AWG	3
4	22-01502-00	Terminal, Male, 1/4" Pushon, Insulated 22-18 AWG	1
5	22-02338-07	Fuseholder, w/Cap	2
6	22-02336-26	Fuse, Mini, 25A	2
7	REF	Terminal, Butt Splice, Heat Sealable, 22-18 AWG (Molex Part # 19164-0013)	2
8	REF	Terminal, Butt Splice, Heat Sealable, 12-10 AWG (Molex Part # 19164-0056)	2
9	REF	Terminal, Butt Splice, Heat Sealable, 8 AWG (Molex Part # 19164-0079)	1
N.S.	Y30-13000-00	Nyogel	1



NOTE

Complete Wire Harnesses are Non-Stock Items. Replacement Components are Listed and can be cross referenced to supplier part number in manual T-375PL.

1.1.13 EM1 CLASSIC LINE, WIRE HARNESS Y25-00099-02, OPTION 2

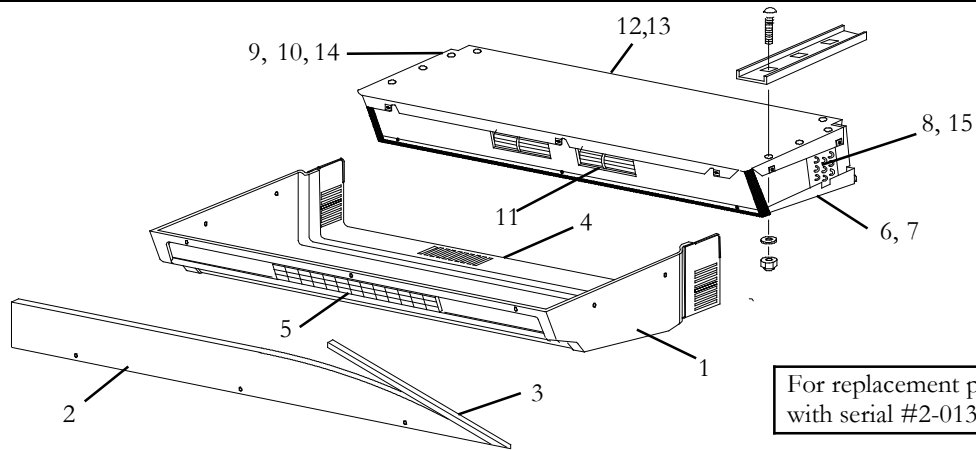


Item	Part Number	Description	Qty
1	22-01141-01	Terminal, Female, 1/4" Pushon, Insulated 16-14 AWG	4
2	31-1247	Terminal, Female, 1/4" Pushon, Insulated 10-12 AWG	2
3	22-02245-02	Terminal, Female, 1/4" Pushon, Insulated 22-18 AWG	3
4	22-01502-00	Terminal, Male, 1/4" Pushon, Insulated 22-18 AWG	1
5	22-02338-07	Fuseholder, w/Cap	2
6	22-02336-26	Fuse, Mini, 25A	2
7	22-00872-02	Terminal, Ring, 1/4"- 8AWG	1
8	22-01140-04	Terminal, Ring, 3/8"- 10 -12AWG	1
9	22-00872-04	Terminal, Ring, 3/8"- 8AWG	2
10	Y31-00007-00	Connector, Molex, 3 Way	1
11	Y31-00007-50	Terminal, Molex, Small, 18 -20AWG	2
12	Y31-00007-51	Terminal, Molex, Large, 14 -16AWG	1
N.S.	Y30-13000-00	Nyogel	1



SECTION 1.2 EM-2 EVAPORATORS

1.2.1 EVAPORATOR, EM-2, GEN 4, FREE BLOW

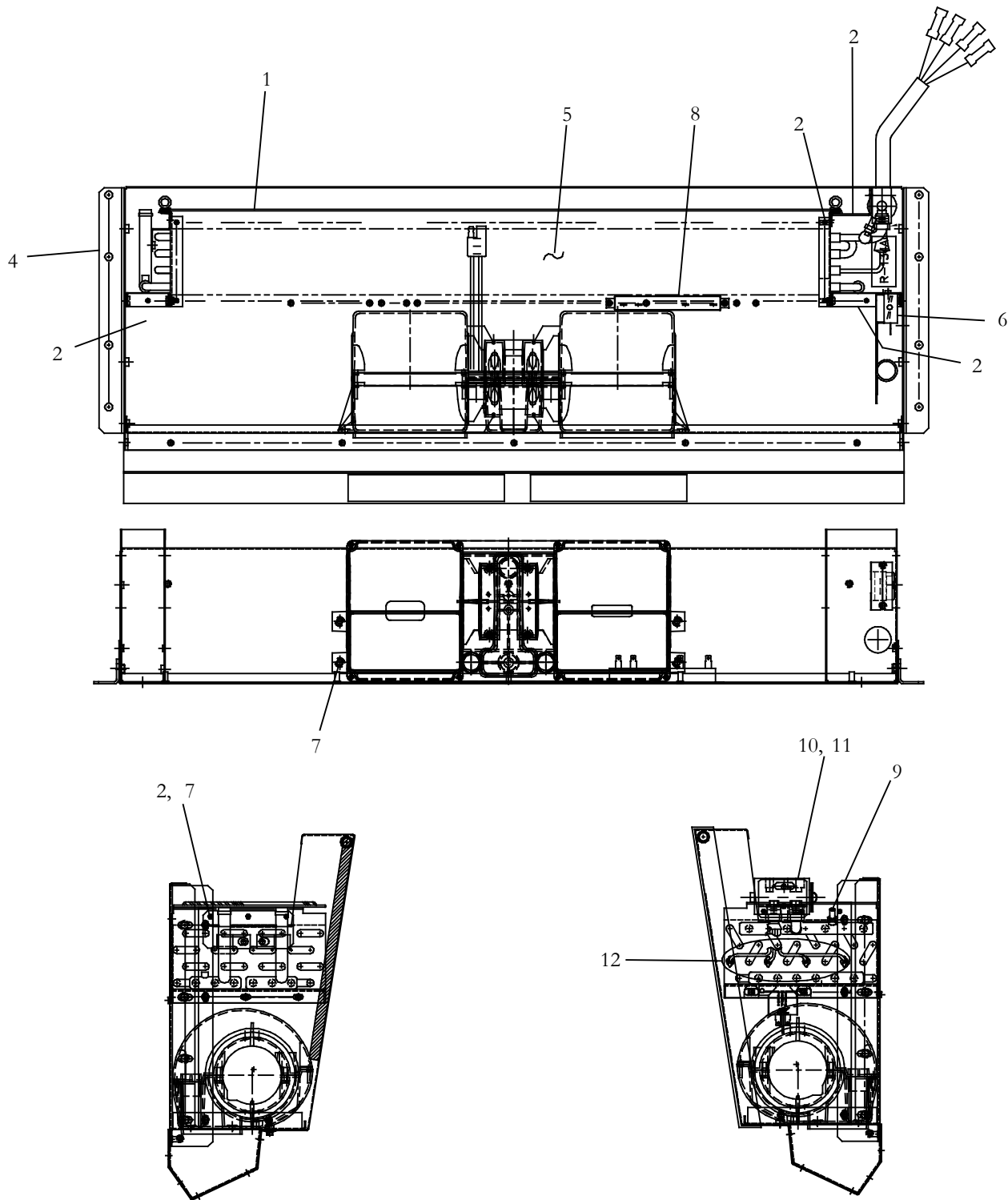


For replacement parts on units with serial #2-013601 to #.

Item	Part Number	Description	Qty
1	N/A	Cover Assembly, White	1
	N/A	Cover Assembly, Gray	1
	N/A	Cover Assembly, Beige	1
2	N/A	Trim Strip, Beige	1
	N/A	Trim Strip, White/Gray	1
3	AC801-412F25	Flexible Trim, Black (25 Ft. Roll)	1
4	N/A	Grill, Air Inlet, Painted (Black)	1
5	AC401-320	Louver Assembly, Air Outlet, (3 3/8 Inch X 14 3/8 Inch)	1
6	N/A	Drain Pan Assembly, (Foamed)	1
7	AC022-313	Baffle, Foam, EM-2 Drain Pan	1
8	08-62059-00	Coil Assembly, With Heat, With Low Pressure Switch Connection	1
	08-62060-00	Coil Assembly, With Low Pressure Switch Connection	1
9	14-00397-00	Thermal Expansion Valve, R134a	1
10	AC201-501	Thermostat, Freeze-Up	1
11	AC401-232	Blower, Assembly, Dual, 12 Volt	1
	AC401-233	Blower, Assembly, Dual, 24 Volt	1
12	76-62019-00	Resistor Kit, (1.8 Ohm, 4 Prong)	1
13	AC801-451	Filter, Return Air, (35 X 7 1/4 Inch)	1
14	AC801-202	O-Ring, 1/2 Inch	4
15	AC201-412	Switch, Low Pressure	1



1.2.2 EVAPORATOR, EM-2 CHASSIS KIT WITH HEAT, GEN 4



REF. CHASSIS KIT #77-62210-01 A



1.2.2 EVAPORATOR, EM-2 CHASSIS KIT WITH HEAT, GEN 4 - Continued:			
Item	Part Number	Description	Qty
1	AC801-405	Filter, Return Air (.090 Thick x 8.00 x 35.38 Inches)	1
2	AC701-401	Rivet, Pop, 3/16, Steel	11
3	AC801-412F25	Gasket, Trimlock, Black (25 Ft. Roll)	1
4	AC022-313	Baffle, Drain Pan, Foam	1
5	08-62059-00	Coil Assembly, Evaporator/Heater, With Low Pressure Switch Connection	1
6	12-00685-00	Thermostat, Freeze-Up, Non-Adjustable	1
7	54-00588-00	Fan & Motor Assembly, Evaporator, 12 VDC	1
8	76-62019-00	Resistor Kit, (1.8 Ohm, 4 Prong)	1
9	AC201-412	Switch, Pressure, Low	1
10	14-00397-00	Valve, Thermal Expansion, Block Type, R134a	1
11	AC801-202	O-Ring, 1/2 Inch, HNBR	2
12	42-00032-00	Tape, Insulation, Presstite, 2.00 x 30.00 Feet Long	1



**OPTION TABLE - EM2 - GEN V,
12 VDC - 3 Speed**

MODEL EM2 Gen V 77-62522	Cover Kit (see Section 1.2.5)	Chassis Kit (see Section 1.2.3)	Wire Harness (see Section 1.2.4)
-00	-	1	1
-02	1	1	2
-05	1	1	1 & 5
-06	2	1	1 & 7
-07	2	1	1 & 7
-21	1	1	1 & 5
-22	1	1	1 & 5
-23	2	1	1 & 5
-31	1	1	1 & 5
-32	1	1	1 & 5
-41	1	1	1 & 5
-42	1	1	1 & 5
-44	1	1	1 & 5
-45	1	1	1 & 5
-47	1	1	1 & 5
-51	2	1	1 & 5
-52	2	1	1 & 5
-61	2	1	1 & 5
-62	2	1	1 & 5
-80	1	1	1 & 6
-81	1	1	1 & 6
-82	1	1	1 & 6
-83	1	1	1 & 6
-85	1	1	1 & 5
-90	2	1	1 & 7
-91	2	1	1 & 7
-95	1	1	1 & 5
-96	1	1	1 & 5

**OPTION TABLE - EM2 - GEN V
12 VDC - Variable Speed**

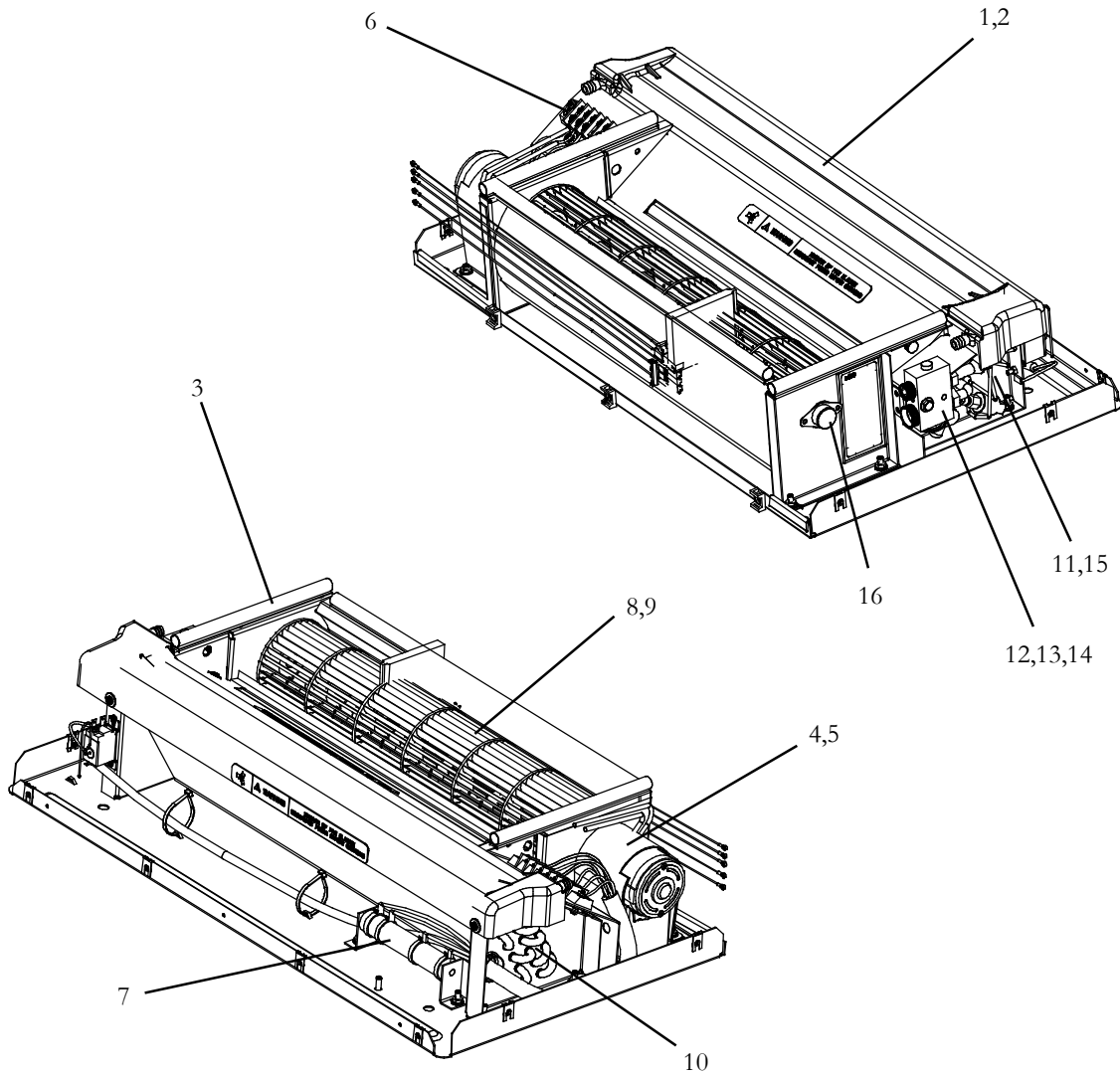
MODEL EM2 Gen V 77-62212	Cover Kit (see Section 1.2.5)	Chassis Kit (see Section 1.2.3)	Wire Harness (see Section 1.2.4)
-00	-	1	2
-21	1	1	2
-22	1	1	2
-31	1	1	2
-32	1	1	2
-41	1	1	2
-42	1	1	2
-44	1	1	2
-45	1	1	2
-61	2	1	2
-62	2	1	2
-80	1	1	2
-82	1	1	2

**OPTION TABLE - EM2 - GEN V
24 VDC - Variable Speed**

MODEL EM2 Gen V 77-62224	Cover Kit (see Section 1.2.5)	Chassis Kit (see Section 1.2.3)	Wire Harness (see Section 1.2.4)
-00	-	1	2
-41	1	1	2
-42	1	1	2
-61	2	1	2
-62	2	1	2



1.2.3 EVAPORATOR, EM-2, GEN V (Common Parts) OPTION 1



Item	Part Number	Description	Qty
1	79-62106-01	Drain Pan Assembly, EM-2 - Includes:	1
2	42-62140-01Baffle, Drain Pan, Foam	1
3	58-62064-00F25	Trim Seal, 1/8 Inch Grip, (25 Foot Roll)	1
4	Y45-00005-51	Motor, Evaporator, EM-2, 12 VDC, (GEN V)	1
	22-62328-01Fuse, 30A, EM-2, 12 VDC, (GEN V)	1
	Y45-00005-54	Motor, Evaporator, EM-2, 24 VDC, (GEN V)	1
	22-62328-03Fuse, 20A, EM-2, 24 VDC, (GEN V)	1
5	42-62052-00	Gasket, Motor, (GEN V)	1
6	22-62141-00	Terminal Block, 7 Position, (30 Amp)	1

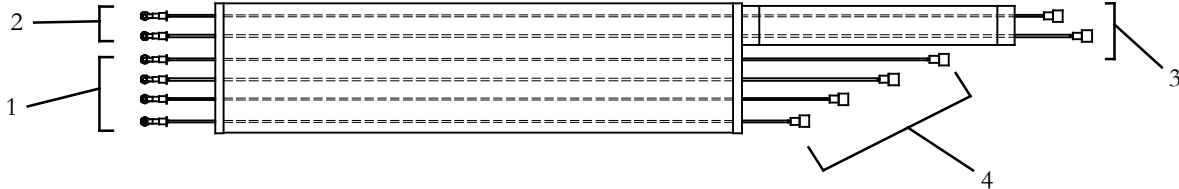


1.2.3 EVAPORATOR, EM-2, GEN V, (Common Parts) Continued: OPTION 1			
Item	Part Number	Description	Qty
7	22-62169-00	Resistor, Fan Speed, 220 Watt, .820 OHM (3 Speed Application ONLY)	1
8	38-00564-51	Blower Wheel, (Length: 21.90 Inches - 556.3 mm)	1
9	34-00482-05	Set Screw, Cup Point, 1/4-28, SS	1
10	08-01068-01	Coil Assembly. EM-2	1
11	AC201-412	Switch, Low Pressure	1
12	14-00397-00	Valve, Thermal Expansion	1
13	42-00032-00	Tape, Insulation, Presstite, 2.00 Inch X 30 Feet Long	1
14	AC801-202	O-Ring, 1/2 Inch	2
15	12-00685-00	Thermostat, Freeze-Up, Non Adjustable	1
16	76-62257-00	Blower Housing & Boot Repair Kit - Includes:	1



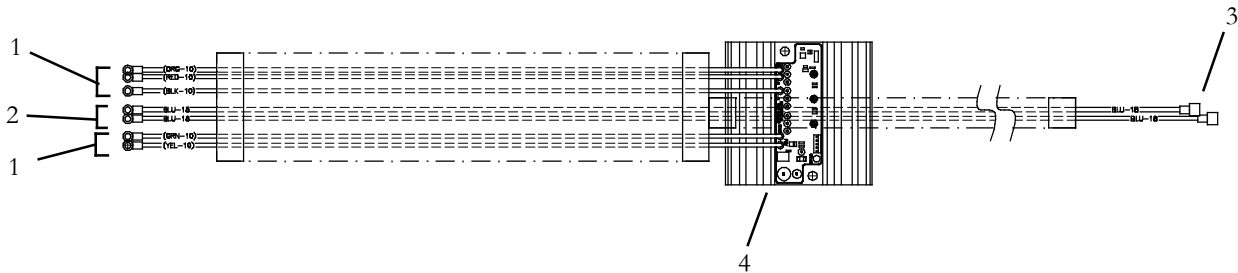
NOTE: Complete Wire Harnesses are Non-Stock Items. Replacement Components are Listed and can be cross referenced to supplier part number in manual T-375PL.

1.2.4 EM2 GEN-V, Wire Harness 22-62168-00 : OPTION 1



Item	Part Number	Description	Qty
1	22-00119-03	Terminal Ring #10, 12/10 AWG	4
2	22-00121-27	Terminal Ring #10, 22/18 AWG	2
3	22-02245-02	Terminal, Female, Fully Insulated Faston Straight 1/4", 22/18 AWG	2/3
4	31-1247	Terminal, Female, Fully Insulated Faston Straight 1/4", 12/10 AWG	4

1.2.4 EM2 GEN-V, Wire Harness 22-62099-00 : OPTION 2

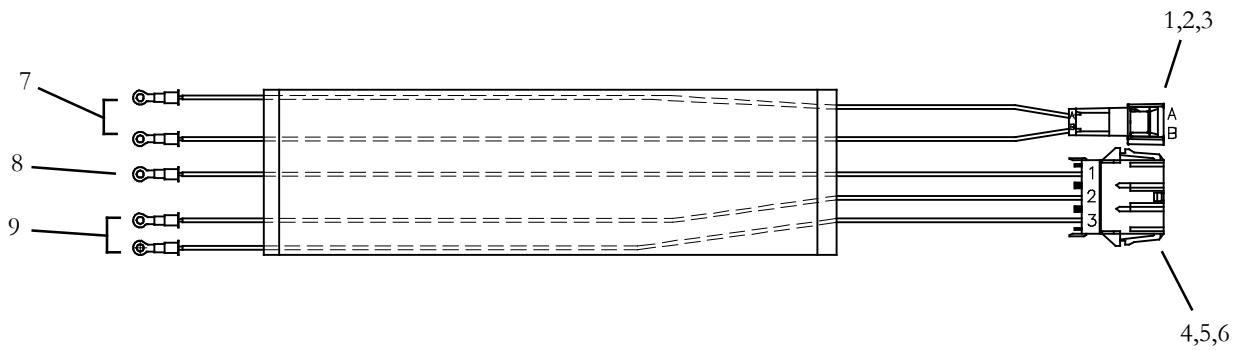


Item	Part Number	Description	Qty
1	22-01140-02	Terminal Ring #10, 12/10 AWG	5
2	22-00121-27	Terminal Ring #10, 22/18 AWG	2
3	22-02245-02	Terminal, Female, Fully Insulated Faston Straight 1/4", 22/18 AWG	2/4
4	12-00533-00	Speed Controller w/Harness	1



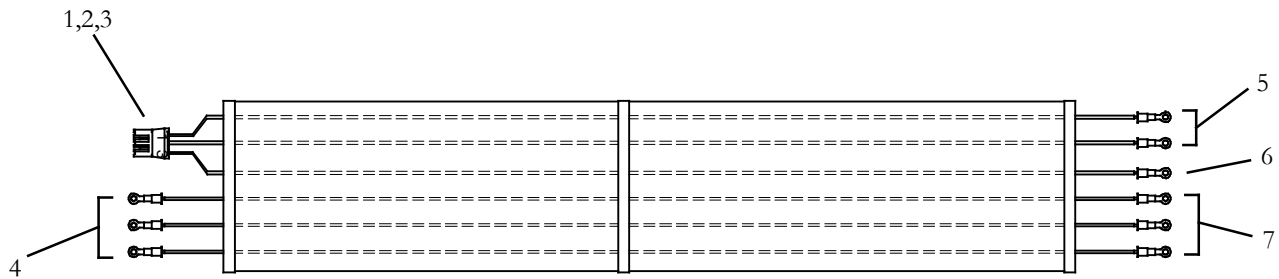
NOTE: Complete Wire Harnesses are Non-Stock Items. Replacement Components are Listed and can be cross referenced to supplier part number in manual T-375PL.

1.2.4 EM2 GEN-V, Wire Harness 22-62286-00: OPTION 3



Item	Part Number	Description	Qty
1	22-50099-37	Connector, Male, 2 Way, MP 280 Series, Unsealed	1
2	22-50099-37A	Terminal, Male, 16/18 AWG	2
3	22-50099-37D	Lock, Secondary	1
4	22-50099-32	Connector, Plug Housing, 3 Way, Molex	1
5	22-50099-32A	Terminal, Male, Molex 10/12 AWG	2
6	22-50099-32B	Terminal, Male, Molex, 8 AWG	1
7	22-00121-27	Terminal Ring #10, 22/18 AWG	2
8	22-00119-03	Terminal Ring #10, 12/10 AWG	2
9	22-00872-01	Terminal Ring #10, 8 AWG	1

1.2.4 EM2 GEN-V, Wire Harness 22-62261-00: OPTION 4

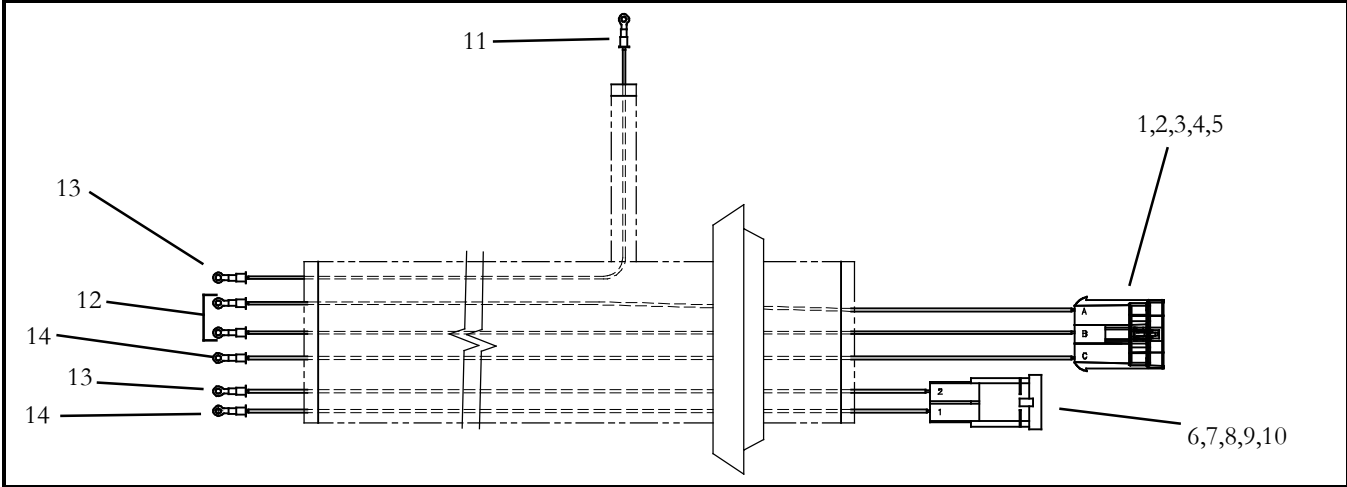


Item	Part Number	Description	Qty
1	Y31-00007-00	Connector, Female, Molex, 3 Way	1
2	Y31-00007-50	Terminal, Female, Molex, 18-20 AWG	2
3	Y31-00007-51	Terminal, Female, Molex, 14-16 AWG	1
4	22-01140-04	Terminal, Ring $\frac{3}{8}$ ", 12/10 AWG	3
5	22-00121-27	Terminal, Ring, #10 - 18 AWG	2
6	22-01139-02	Terminal, Ring, #10 - 14/16 AWG	1
7	22-01140-02	Terminal, Ring, #10 - 12/10 AWG	3



NOTE: Complete Wire Harnesses are Non-Stock Items. Replacement Components are Listed and can be cross referenced to supplier part number in manual T-375PL.

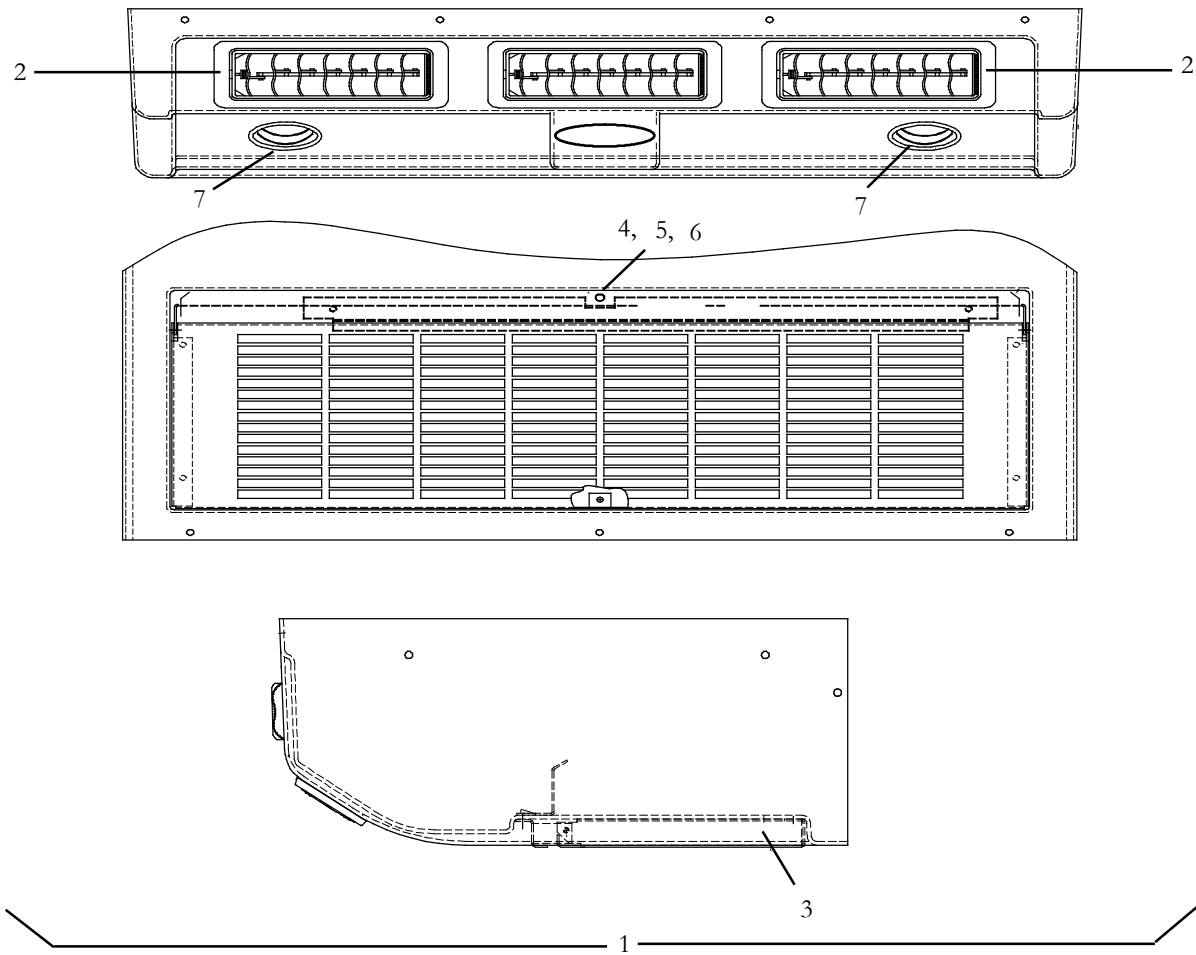
1.2.4 EM2 GEN-V, Wire Harnesses 22-62247-00 & 22-62204-00: OPTION 5



Item	Part Number	Description	Qty
1	22-50078-86	Connector, Male, M/P 630, 3 Way	1
2	22-50078-49A	Terminal, Male, 18 AWG	2
3	22-50078-49C	Terminal, Male, 12 AWG	1
4	22-50078-86B	Cable Seal	3
5	22-50078-86A	Lock, Secondary	1
6	22-50098-67	Connector, Male, Tyco, 2 Way	1
7	22-50098-67B	Terminal, Male, 8 AWG	1
8	22-50098-67A	Terminal, Male, 10/12 AWG	1
9	22-50098-67C	Cable Seal, 10/12 AWG	1
10	22-50098-67D	Cable Seal, 8 AWG	1
11	22-00872-03	Terminal, Ring 5/16", 8 AWG	2
12	22-00121-27	Terminal, Ring, #10 - 18 AWG	2
13	22-00872-01	Terminal, Ring, #10 - 8 AWG	2
14	22-00119-03	Terminal, Ring, #10 - 12/10 AWG	2



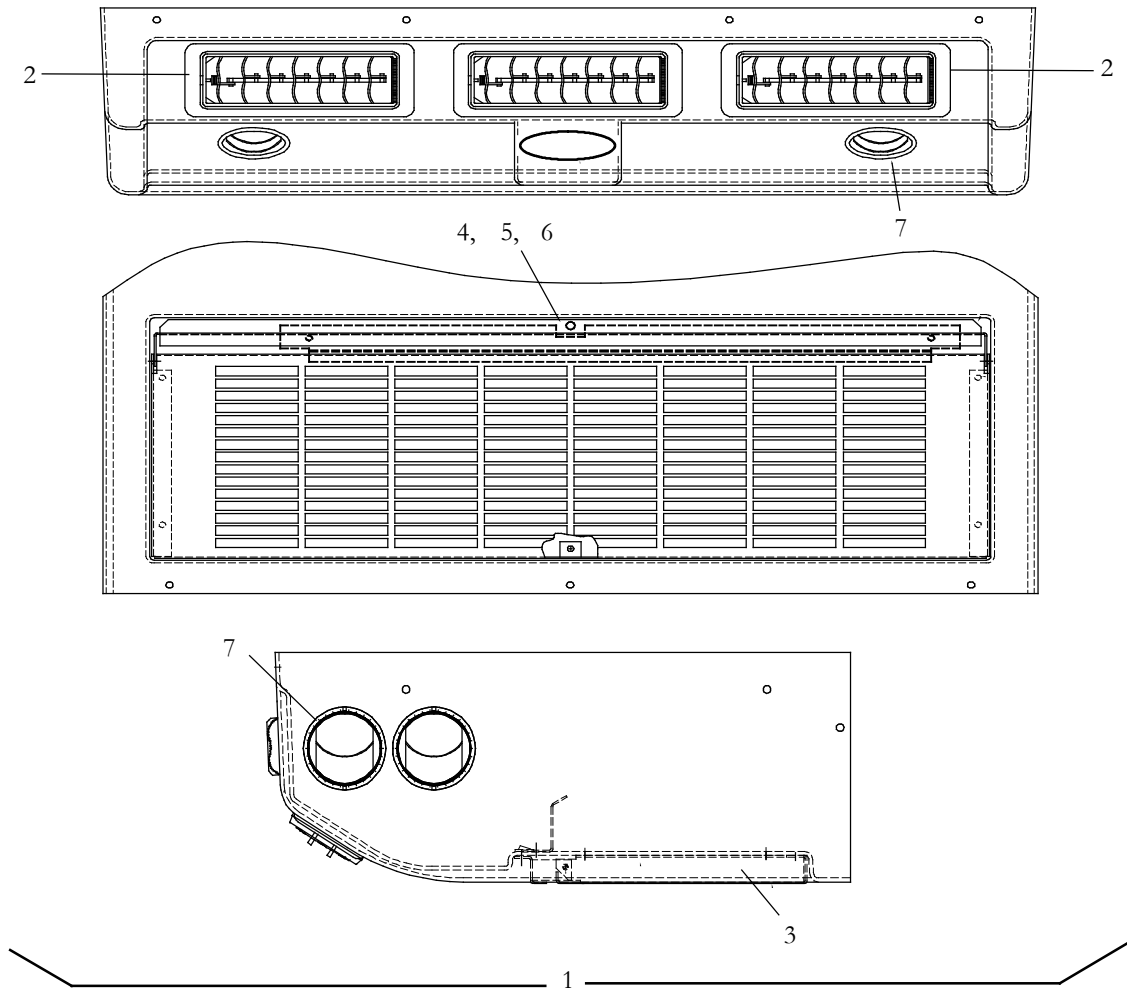
1.2.5 COVER ASSEMBLY, EM-2, GEN-V, 3 SPEED, REAR MOUNT : OPTION 1



Item	Part Number	Description	Qty
1	79-62044-01	Cover Assembly, EM-2, Complete, Rear Mount, White - Includes:	1
	79-62044-02	Cover Assembly, EM-2, Complete, Rear Mount, Gray - Includes:	1
2	58-62042-00Louver, Rectangle (8.0 X 3.0 Inches)	3
3	38-00573-02Filter, Air, EM-2, GenV (27.92 X 9 Inches)	1
4	34-62019-00Receptacle, 1/4 Turn	1
5	34-62020-00Stud, 1/4 Turn, .25 Grip Range	1
6	34-06169-01Washer, Retaining, .215 I. D.	1
7	58-62077-00Louver, Adjustable, 3.00 Inch (Round)	2



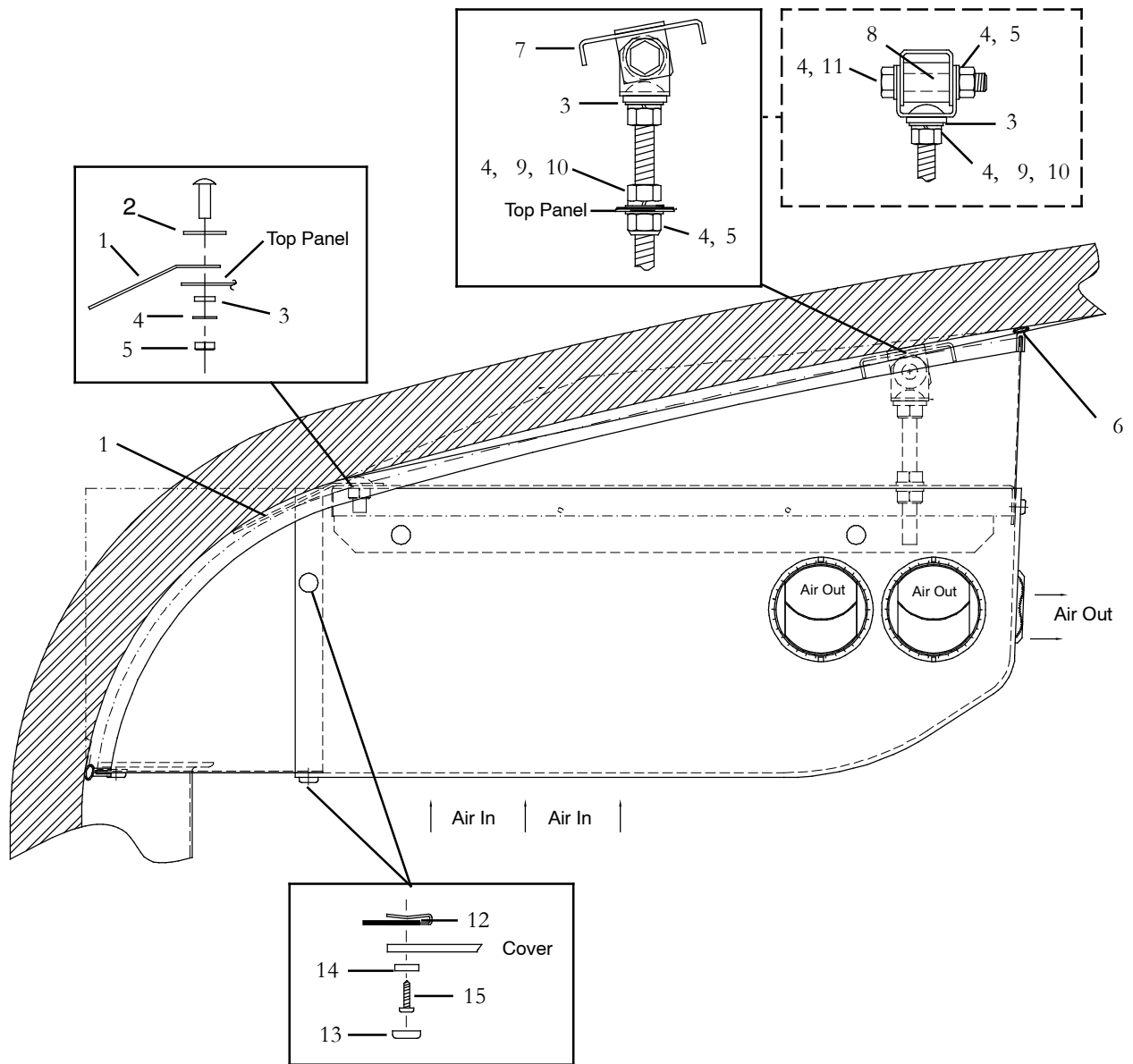
1.2.5 COVER ASSEMBLY, EM-2, GEN-V, 3 SPEED, SIDE MOUNT : OPTION 2



Item	Part Number	Description	Qty
1	79-62045-01	Cover Assembly, EM-2, Complete, Side Mount, White - Includes:	1
	79-62045-02	Cover Assembly, EM-2, Complete, Side Mount, Gray - Includes:	1
2	58-62042-00Louver, Rectangle (8.0 X 3.0 Inches)	3
3	38-00573-02Filter, Air, EM-2, GenV (27.92 X 9 Inches)	1
4	34-62019-00Receptacle, 1/4 Turn	1
5	34-62020-00Stud, 1/4 Turn, .25 Grip Range	1
6	34-06169-01Washer, Retaining, .215 I. D.	1
7	58-62077-00Louver, Adjustable, 3.00 Inch (Round)	6



1.2.6 INSTALLATION COMPONENTS, EM-2, GEN-V, SIDE MOUNT



Item	Part Number	Description	Qty
1	68-63878-00	Rear Hanger, Side Mount	1
2	68-63874-00	Plate, Washer	2
3	AC601-602	Spacer, Steel, 7/8 OD X 1/2 ID X 1/8 Inch Long	2
4	NSI	Washer, Flat, 3/8 Inch, Zinc Plated	8
5	NSI	Nut, Hex, Lock, 3/8-16, Zinc Plated	6
6	NSI	Gasket, Trimlock, Black (25 Ft. Roll)	1
7	NSI	Bracket, Weld Assembly, Front Hanger	1
8	AC601-616	Spacer, Steel, 7/8 OD X 1/2 ID X 1 Inch Long	2
9	NSI	Washer, Split Lock, 3/8 Inch, Zinc Plated	6
10	NSI	Nut, Hex, 3/8-16, Zinc Plated	4



1.2.6 INSTALLATION COMPONENTS, EM-2, GEN-V, SIDE MOUNT - Continued:			
Item	Part Number	Description	Qty
11	AC701-123	Tinnerman Clip, Hi Torque, #10 AB	8
12	AC801-531	Cap, Snap, White	8
	AC801-532	Cap, Snap, Gray	8
13	AC801-529	Washer, Snap Cap	8
14	NSI	Screw, Pan Head Phillips, #10 X 5/8 Inch, AB, Black	8

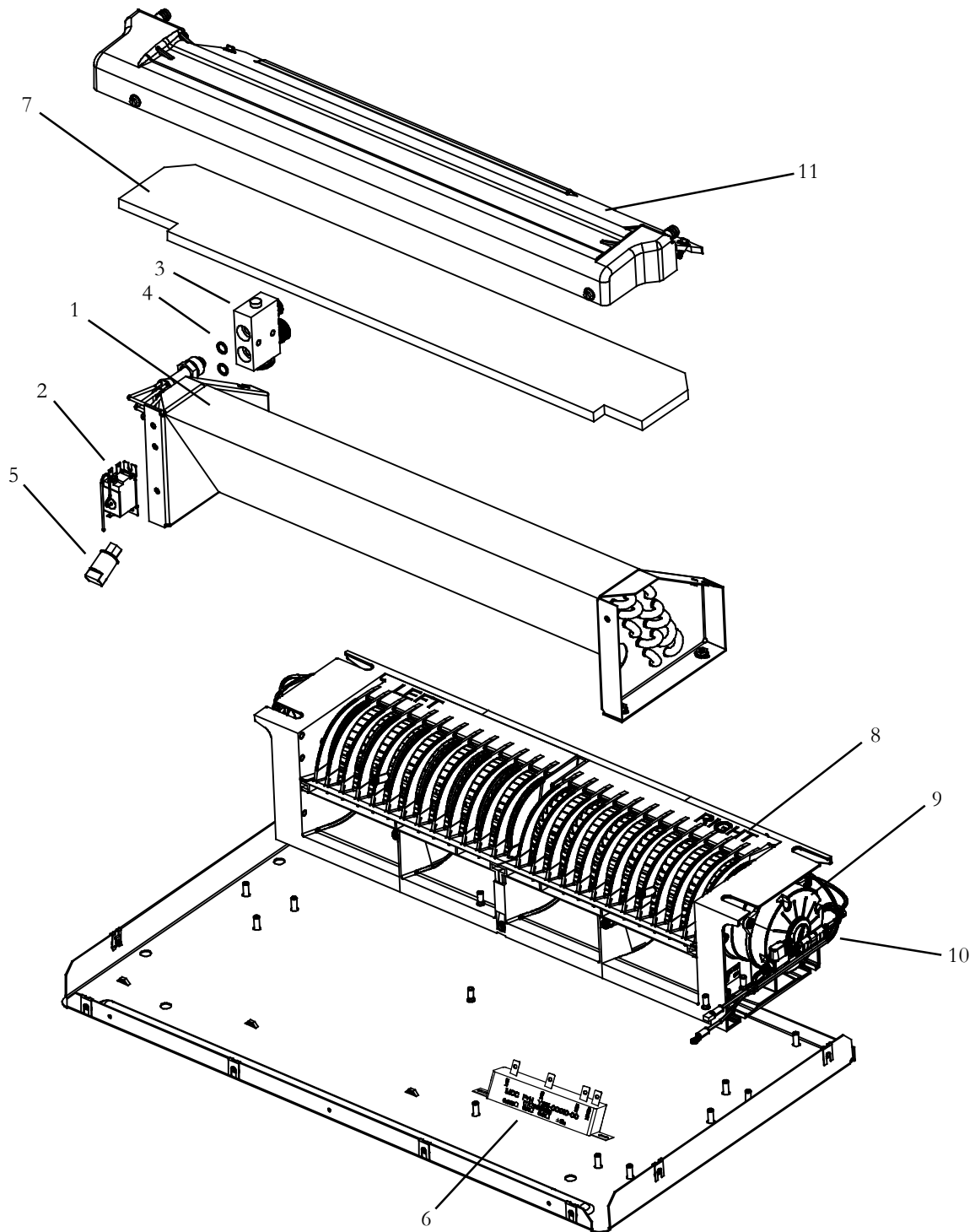


OPTION TABLE - EM2 - GEN VI

MODEL EM2 Y73-EM201	Cover Kit (See Section 1.2.8)	Chassis Kit (See Section 1.2.7)	Wire Harness (See Section 1.2.9)
-21	1	1	1
-22	1	1	1
-23	2	1	1
-31	1	1	1
-32	1	1	1
-41	1	1	1
-42	1	1	1
-44	1	1	1
-45	1	1	1
-47	1	1	1
-51	2	1	1
-52	2	1	1
-61	2	1	1
-62	2	1	1
-80	1	1	2
-81	1	1	2
-82	1	1	2
-83	1	1	2
-85	1	1	1
-91	2	1	3
-95	1	1	1
-96	1	1	1



1.2.7 EM-2, GEN-VI, 3 SPEED CHASSIS KITS Y73-EM201-00 thru -02 (COMMON PARTS): OPTION 1



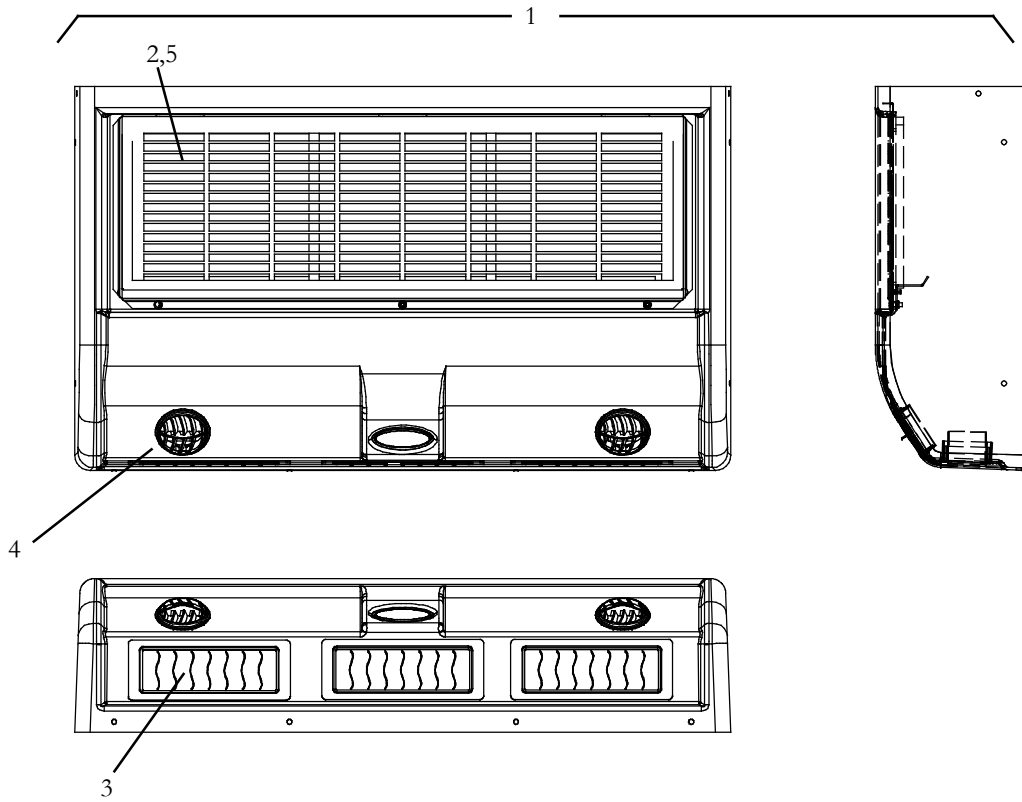
NOTE: See Option Table and Section 1.2.10 For Y73-EM201-00 thru -02 Wire Harnesses



1.2.7 EM-2, GEN-VI, 3 SPEED CHASSIS KITS Y73-EM201-00 thru -02 (COMMON PARTS) : OPTION 1- Cont:			
Item	Part Number	Description	Qty
1	08-01068-01	Coil Assembly, Evaporator	1
2	12-00685-00	Thermostat	1
3	14-00397-00	Expansion Valve	1
4	AC801-202	O-Rings, 1/2" HN BR	2
5	AC201-412	Pressure Switch, Low	1
6	Y35-00010-00	Resistor, 12 VDC, With Screw Terminals	1
7	42-62140-01	Baffle, Evaporator	1
8	54-00646-01	Blower Assembly, 12VDC, Includes:	1
9	54-00646-50	Blower Motor, 12VDC	2
10	54-00646-61	Harness, Blower Motor, 12VDC	2
11	58-62186-01	Drain Pan	1



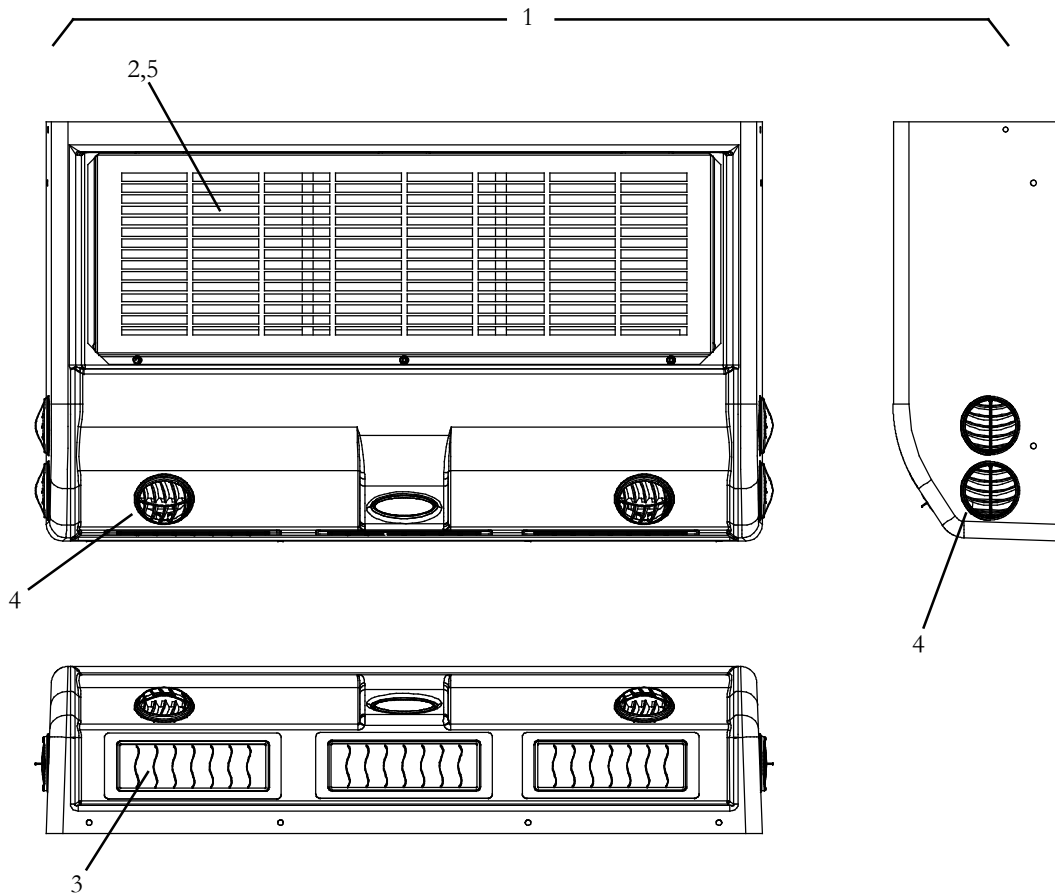
1.2.8 EM-2, GEN-VI, COVER ASSEMBLY, REAR MOUNT : OPTION 1
(Used on MODELS Y19-EM101-21,-22,-31,-32,-41,-42,-44,-45,-47,-80,-81,-82,-83,-85,-95 & -96)



Item	Part Number	Description	Qty
1	Y28-00026-00	Cover Assembly, Gray, (used on -22,-32,-42,-44,-47,-83 & -96))	1
	Y28-00026-01	Cover Assembly, White, (used on -21,-31,-41,-45 & -81))	1
2	38-00573-02	Filter, Air	1
3	58-62042-00	Diffuser, Air, Adjustable Rectangular	3
4	Y23-00002-00	Louver, 2.5" Fixed Vane	2
5	Y24-00109-00	Grille, Return Air	1



1.2.9 EM-2, GEN-VI, COVER ASSEMBLY, SIDE MOUNT: OPTION 2
(Used on MODELS Y19-EM201-23,-51,-52,-61,-62, & -91)

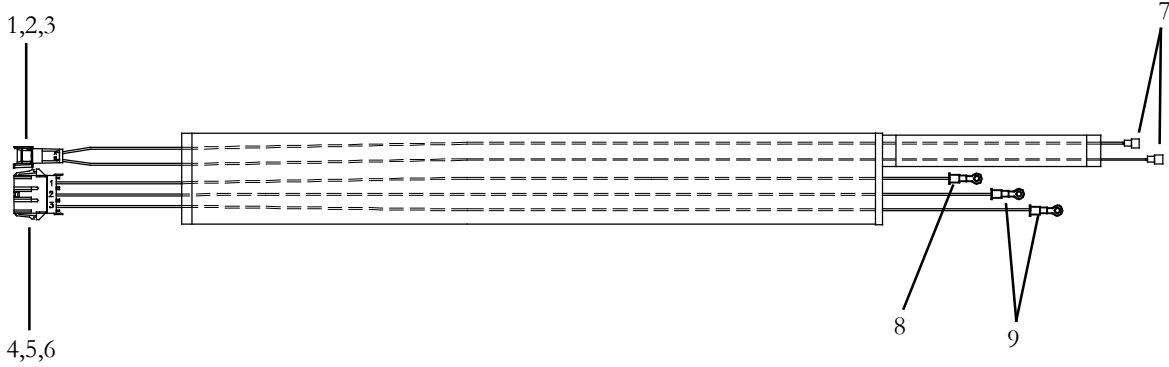


Item	Part Number	Description	Qty
1	Y28-00026-02	Cover Assembly, Gray, (used on -23,-62,-64 & -91))	1
	Y28-00026-03	Cover Assembly, White, (used on -61)	1
2	38-00573-02	Filter, Air	1
3	58-62042-00	Diffuser, Air, Adjustable Rectangular	3
4	Y23-00002-00	Louver, 2.5" Fixed Vane	6
5	Y24-00109-00	Grille, Return Air	1



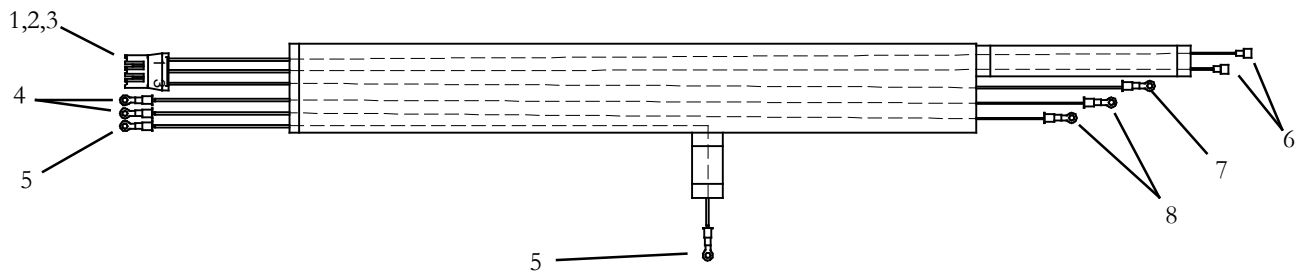
NOTE: Complete Wire Harnesses are Non-Stock Items. Replacement Components are Listed and can be cross referenced to supplier part number in manual T-375PL.

1.2.10 EM2 GEN-VI, Wire Harness 22-62303-00: OPTION 1



Item	Part Number	Description	Qty
1	22-50099-37	Connector, Male, MP 280 Series, Unsealed	1
2	22-50099-37A	Terminal, Male, 16/18 AWG	2
3	22-50099-37D	Lock, Secondary	1
4	22-50099-32	Connector, Plug Housing, 3 Way, Molex	1
5	22-50099-32A	Terminal, Male, Molex 10/12 AWG	2
6	22-50099-32B	Terminal, Male, Molex, 8 AWG	1
7	22-02245-02	Terminal, Female, Fully Insulated, 22/18 AWG	2
8	22-02245-01	Terminal, Ring, #10 - 8 AWG	1
9	22-01140-02	Terminal, Ring, #10 - 12/10 AWG	2

1.2.10 EM2 GEN-VI, Wire Harness 22-62303-01: OPTION 2

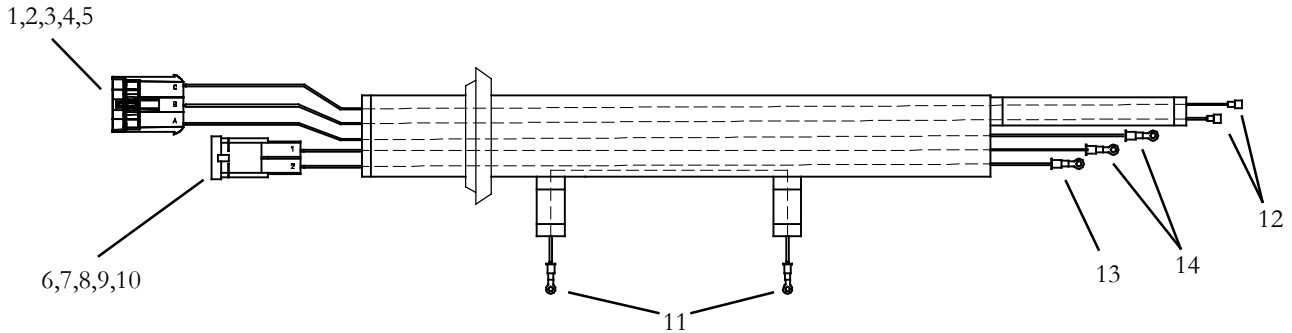


Item	Part Number	Description	Qty
1	Y31-00007-00	Connector, Female, Molex, 3 Way	1
2	Y31-00007-50	Terminal, Female, Molex, 18-20 AWG	2
3	Y31-00007-51	Terminal, Female, Molex, 14-16 AWG	1
4	22-01140-04	Terminal, Ring 3/8", 12/10 AWG	2
5	22-00872-03	Terminal, Ring 5/16", 8 AWG	2
6	22-02245-02	Terminal, Female, Fully Insulated, 22/18 AWG	2
7	22-01139-02	Terminal, Ring, #10 - 14/16 AWG	1
8	22-01140-02	Terminal, Ring, #10 - 12/10 AWG	2



NOTE: Complete Wire Harnesses are Non-Stock Items. Replacement Components are Listed and can be cross referenced to supplier part number in manual T-375PL.

1.2.10 EM2 GEN-VI, Wire Harness 22-62303-02: OPTION 3



Item	Part Number	Description	Qty
1	22-50078-86	Connector, Male, M/P 630, 3 Way	1
2	22-50078-49A	Terminal, Male, 18 AWG	2
3	22-50078-49C	Terminal, Male, 12 AWG	1
4	22-50078-86B	Cable Seal	3
5	22-50078-86A	Lock, Secondary	1
6	22-50098-67	Connector, Male, Tyco, 2 Way	1
7	22-50098-67B	Terminal, Male, 8 AWG	1
8	22-50098-67A	Terminal, Male, 10/12 AWG	1
9	22-50098-67C	Cable Seal, 10/12 AWG	1
10	22-50098-67D	Cable Seal, 8 AWG	1
11	22-00872-03	Terminal, Ring 5/16", 8 AWG	2
12	22-02245-02	Terminal, Female, Fully Insulated, 22/18 AWG	1
13	22-00872-01	Terminal, Ring, #10 - 8 AWG	1
14	22-01140-02	Terminal, Ring, #10 - 12/10 AWG	2

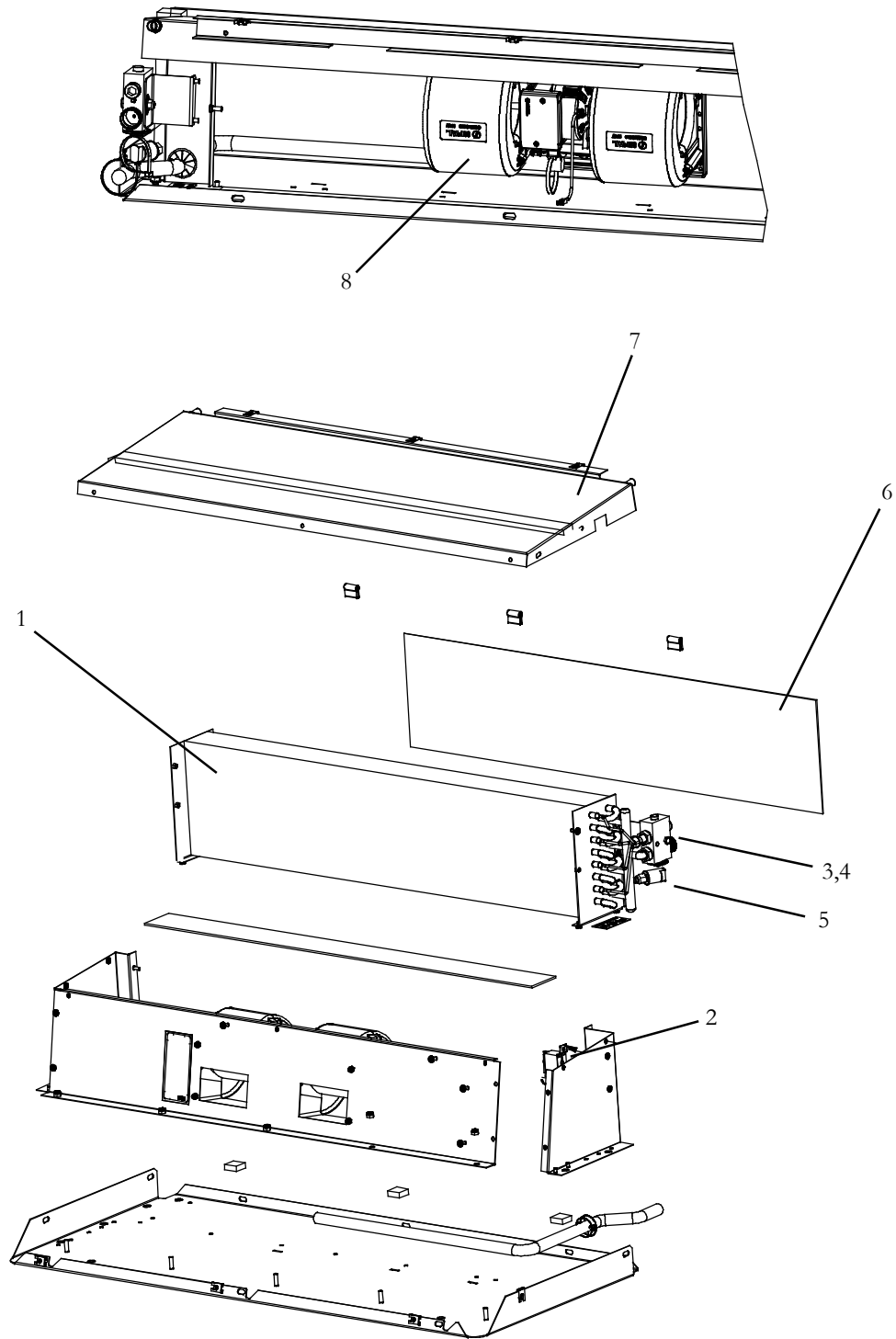


OPTION TABLE - EM2 - CLASSIC LINE

MODEL EM2 Y19-EM207	Cover Kit (See Section 1.2.12)	Chassis Kit (See Section 1.2.11)	Wire Harness (See Section 1.2.13)
-00	-	1	1
-01	-	2	1
-21	2	1	1
-22	1	1	1
-23	2	2	1
-24	1	2	1
-30	2	1	1
-31	1	1	1
-32	2	2	1
-33	1	2	1
-80	2	2	2
-82	1	2	2



1.2.11 EM-2, CLASSIC LINE, 12VDC, 3 SPEED CHASSIS KITS Y73-EM203-00 & -01, OPTION 1 & 2

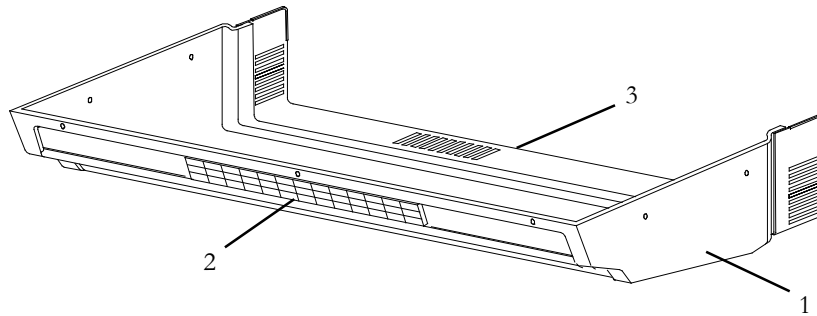




1.2.11 EM-2, CLASSIC LINE, 12VDC, 3 SPEED CHASSIS KITS Y73-EM207-00 & -01, OPTION 1 & 2, Cont.			
Item	Part Number	Description	Qty
1	08-01068-01	Coil Assembly, Evaporator	1
	08-01068-01	Coil Assembly, Evaporator	1
2	12-00685-00	Thermostat	1
3	14-00397-00	Expansion Valve	1
4	AC801-202	O-Rings, 1/2" HN BR	2
5	AC201-412	Pressure Switch, Low	1
6	AC801-405	Filter, Air	1
7	79-02383-00	Drain Pan Assembly	1
8	Y15-00003-00	Blower Assembly, 12VDC, w/Resistor	2



1.2.12 EM-2, CLASSIC LINE, COVER ASSEMBLY, REAR MOUNT : OPTION 1 & 2

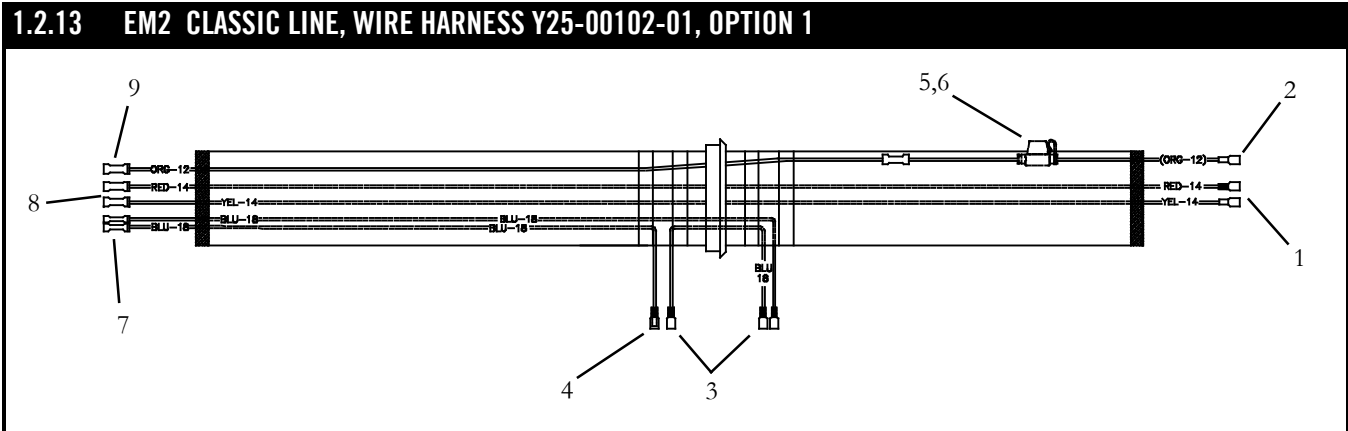


Item	Part Number	Description	Qty
1	79-62072-01	Cover Assembly, Gray, Includes: OPTION 1	1
	79-62072-00	Cover Assembly, White, Includes: OPTION 2	1
2	AC401-320	Diffuser, Air, Adjustable Rectangular	1
3	AC022-251	Grille, Return Air	1



NOTE

Complete Wire Harnesses are Non-Stock Items. Replacement Components are Listed and can be cross referenced to supplier part number in manual T-375PL.

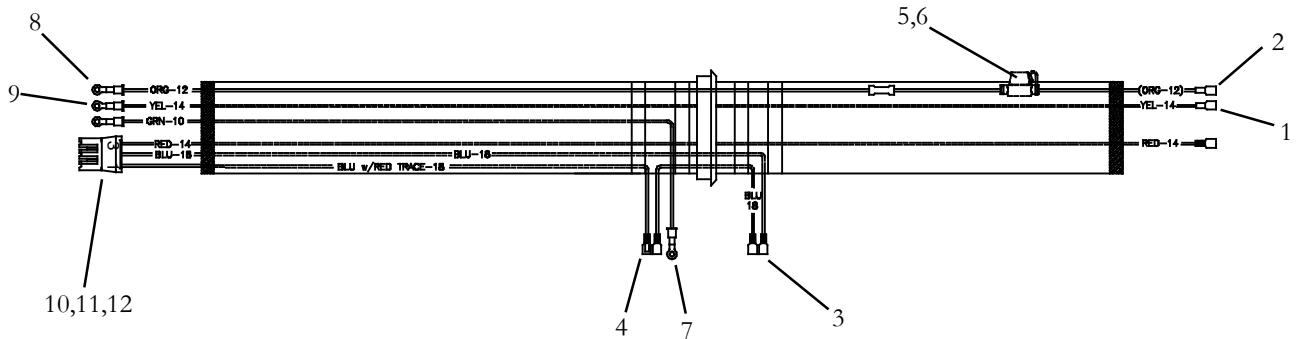


Item	Part Number	Description	Qty
1	22-01141-01	Terminal, Female, 1/4" Pushon, Insulated 16-14 AWG	2
2	22-01142-01	Terminal, Female, 1/4" Pushon, Insulated 10-12 AWG	1
3	22-02245-02	Terminal, Female, 1/4" Pushon, Insulated 22-18 AWG	3
4	22-01502-00	Terminal, Male, 1/4" Pushon, Insulated 22-18 AWG	1
5	22-02338-07	Fuseholder, w/Cap	1
6	22-02336-26	Fuse, Mini, 25A	1
7	REF	Terminal, Butt Splice, Heat Sealable, 22-18 AWG (Molex Part # 19164-0013)	2
8	REF	Terminal, Butt Stepdown, Heat Sealable, 16-14/12-10 AWG (Molex Part # 19164-0077)	2
9	REF	Terminal, Butt Stepdown, Heat Sealable, 12-10/8 AWG (Waytec Part # 38253)	1
N.S.	Y30-13000-00	Nyogel	1



Complete Wire Harnesses are Non-Stock Items. Replacement Components are Listed and can be cross referenced to supplier part number in manual T-375PL.

1.2.13 EM2 CLASSIC LINE, WIRE HARNESS Y25-00102-02, OPTION 2

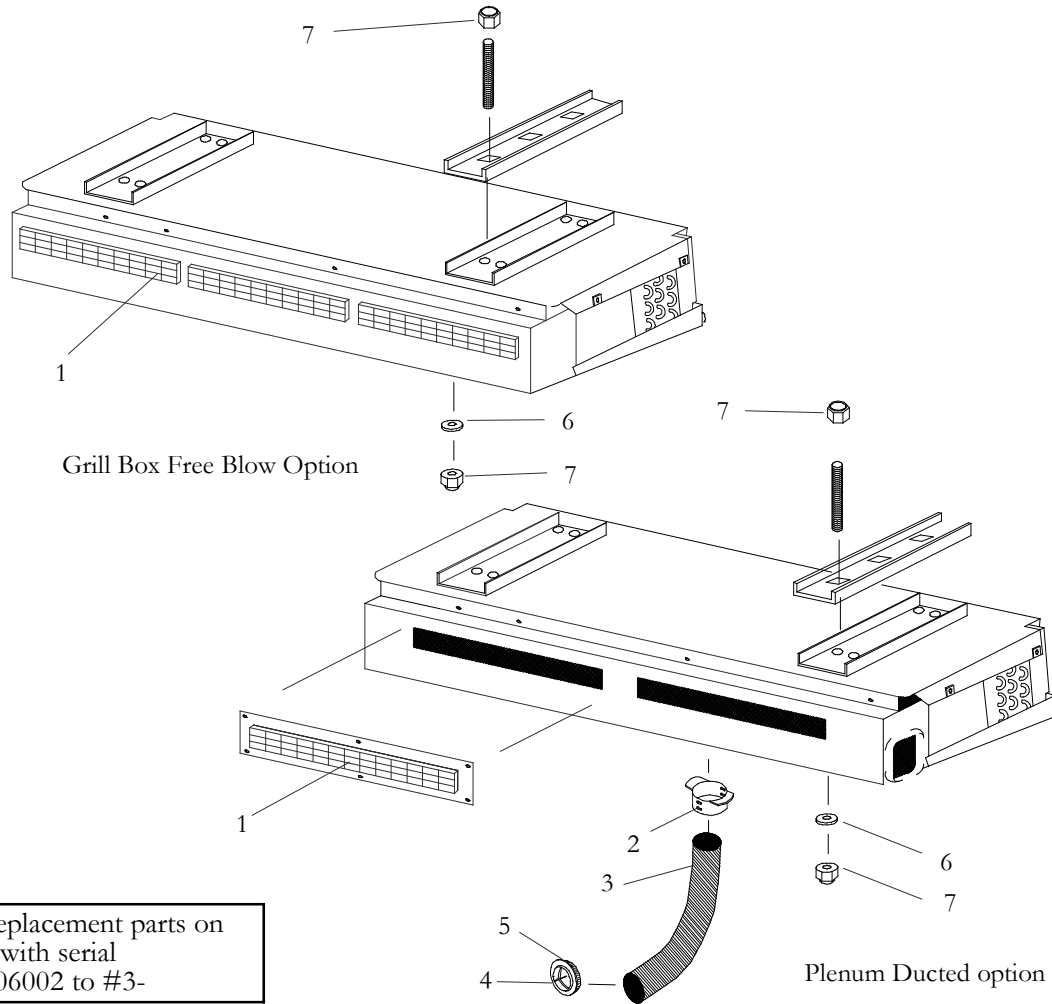


Item	Part Number	Description	Qty
1	22-01141-01	Terminal, Female, 1/4" Pushon, Insulated 16-14 AWG	2
2	31-1247	Terminal, Female, 1/4" Pushon, Insulated 10-12 AWG	2
3	22-02245-02	Terminal, Female, 1/4" Pushon, Insulated 22-18 AWG	3
4	22-01502-00	Terminal, Male, 1/4" Pushon, Insulated 22-18 AWG	1
5	22-02338-07	Fuseholder, w/Cap	2
6	22-02336-26	Fuse, Mini, 25A	2
7	22-01140-03	Terminal, Ring, 1/4" - 10-12AWG	1
8	22-01140-04	Terminal, Ring, 3/8" - 10 -12AWG	2
9	22-01139-04	Terminal, Ring, 3/8" - 14-16AWG	1
10	Y31-00007-00	Connector, Molex, 3 Way	1
11	Y31-00007-50	Terminal, Molex, Small, 18 -20AWG	2
12	Y31-00007-51	Terminal, Molex, Large, 14 -16AWG	1
N.S.	Y30-13000-00	Nyogel	1



SECTION 1.3 EM-3 EVAPORATORS

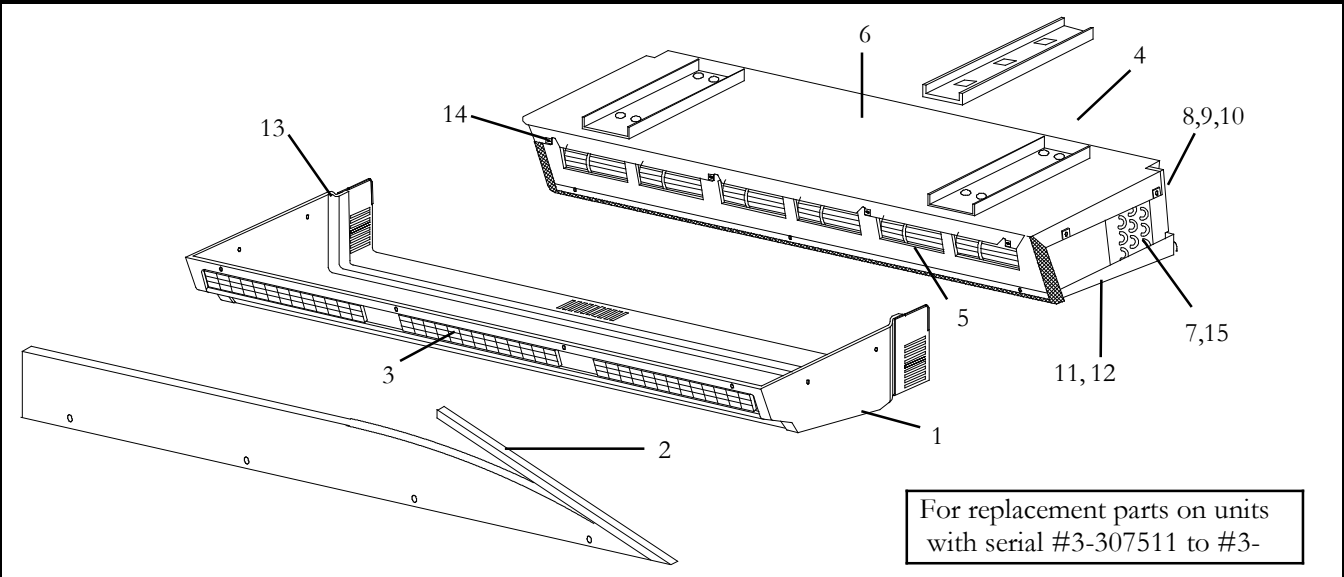
1.3.1 EVAPORATOR, EM-3, GEN 4, DUCTED, WITH PLENUM OR GRILL BOX



Item	Part Number	Description	Qty
1	AC401-320	Louver, (14-3/8 X 3-3/8 Inches)	A/R
2	AC401-307	Adapter, Hose, (2-1/2 Inch)	2
3	AC301-205	Hose, Duct, 2-1/2 Inch Diameter X Foot	3
4	58-01386-00	Ball, Louver, 2-1/2 Inch Diameter With Hose Back	2
5	AC401-306	Ring, Mounting, For Louver Ball	2
6	NSI	Washer, Flat, 3/8 Inch, Zinc Plated	12
7	NSI	Nut, Hex, Lock, (Esna), 3/8-16, Zinc Plated	12



1.3.2 EVAPORATOR, EM-3, GEN 4, FREE BLOW



For replacement parts on units with serial #3-307511 to #3-

Item	Part Number	Description	Qty
1	79-62073-00	Assembly, Cover, White	1
	79-62073-01	Assembly, Cover, Gray	1
2	AC801-412F25	Flexible Trim, Black (25 Ft. Roll)	1
3	AC401-320	Assembly, Louver, Air Outlet, (14-3/8 X 3- 1/2 Inch)	3
4	38-00573-07	Filter, Return Air, (26.25 X 8 X 1/4 Inch)	2
5	AC401-232	Assembly, Blower, Dual, 12 VDC	3
	AC401-233	Assembly, Blower, Dual, 24 VDC	3
6	76-62019-00	Resistor Kit, (1.8 Ohm, 4 Prong)	3
7	08-62067-00	Assembly, Coil, R134a, With Heat, With Low Pressure Switch Connection	1
	08-62068-00	Assembly, Coil, R134a, With Low Pressure Switch Connection	1
8	14-00397-00	Valve, Thermal Expansion, R134a	2
9	AC801-202	O-Ring, 1/2 Inch	4
10	AC201-501	Thermostat, Freeze-Up, Coil Insert	1
11	N/A	Assembly, Drain Pan, (Foamed)	1
12	AC022-314	Baffle, Foam, EM_3 Drain Pan	1
13	AC801-414	Gasket, Foam, 3/8 X 1 Inch X 25 Foot Roll	1
14	AC701-123	Clip, Tinnerman, High-Torque, (#10AB)	14
15	AC201-412	Switch, Low Pressure	1



**OPTION TABLE - EM3 - GEN V,
12 VDC - 3 Speed**

MODEL EM3 Gen V 77-62532	Cover Kit (see Section 1.3.5)	Chassis Kit (see Section 1.3.3)	Wire Harness (see Section 1.3.4)
-00	-	1	1
-01	-	1	1 & 2
-05	-	1	1 & 4
-06	-	1	1 & 5
-21	1	1	1 & 2
-22	2	1	1 & 2
-24	2	1	1 & 2
-31	1	1	1
-32	2	1	1
-41	1	1	1 & 2
-42	2	1	1 & 2
-44	2	1	1 & 2
-45	1	1	1 & 2
-47	2	1	1 & 2
-48	-	1	1 & 3

**OPTION TABLE - EM3 - GEN V
12 VDC - Variable Speed**

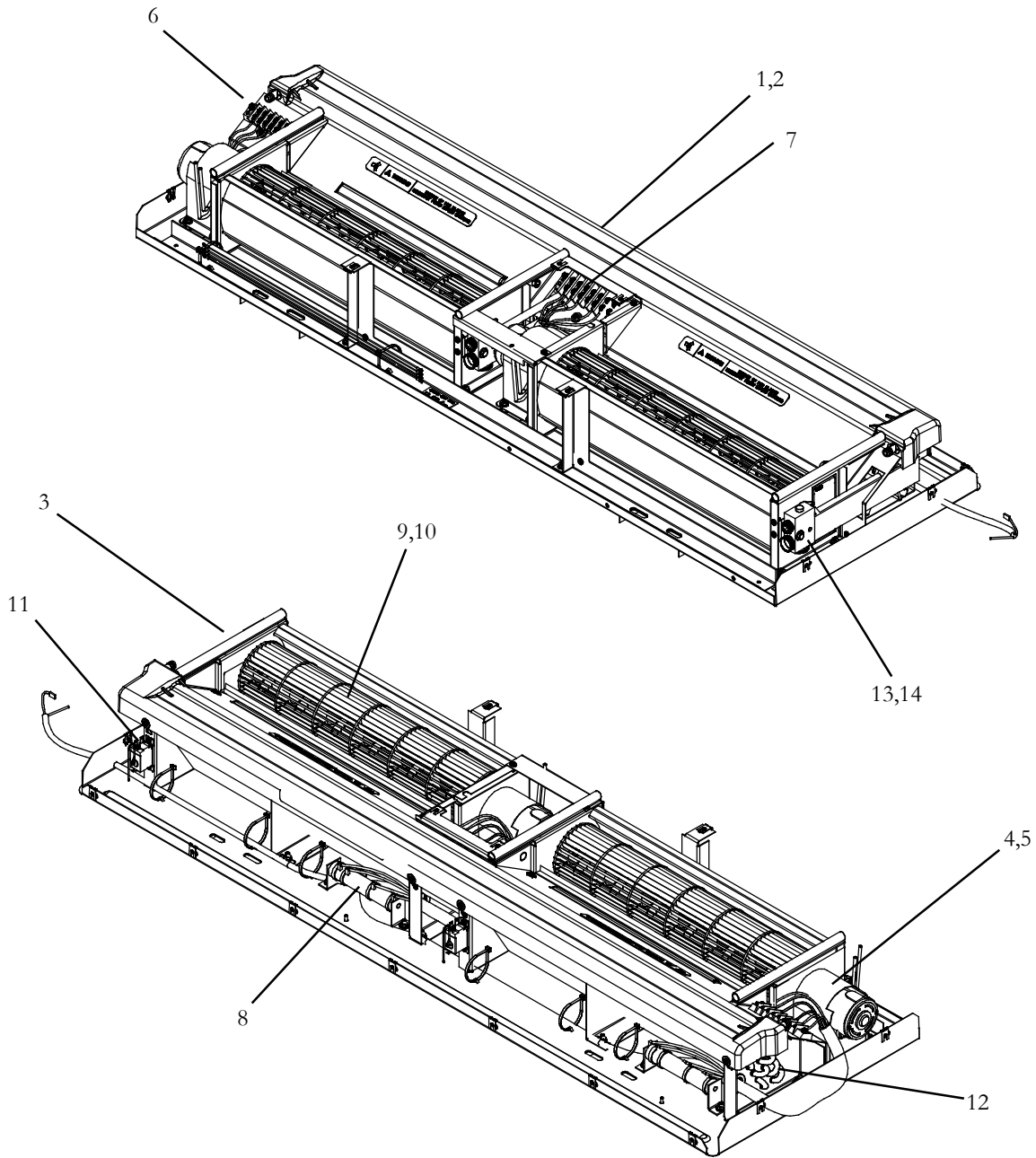
MODEL EM3 Gen V 77-62312	Cover Kit (see Section 1.3.5)	Chassis Kit (see Section 1.3.3)	Wire Harness (see Section 1.3.4)
-00	-	1	6
-21	1	1	2 & 6
-22	2	1	2 & 6
-31	1	1	2 & 6
-32	2	1	2 & 6
-41	1	1	2 & 6
-42	2	1	2 & 6
-44	2	1	2 & 6
-45	1	1	2 & 6

**OPTION TABLE - EM3 - GEN V
24 VDC - Variable Speed**

MODEL EM3 Gen V 77-62324	Cover Kit (see Section 1.3.5)	Chassis Kit (see Section 1.3.3)	Wire Harness (see Section 1.3.4)
-00	-	1	6
-21	1	1	6
-22	2	1	6
-31	1	1	6
-32	2	1	6
-41	1	1	6
-42	2	1	6
-44	2	1	2 & 6
-45	1	1	2 & 6



1.3.3 EM-3, 3 SPEED CHASSIS KITS (Common Parts) OPTION 1



Item	Part Number	Description	Qty
1	79-62107-00	Drain Pan Assembly, EM-3, Gen-V - Includes:	1
2	42-62140-01Baffle, Drain Pan, Foam	1
3	58-62064-00F25	Trim Seal, 1/8 Inch Grip (25 Feet Roll)	A/R
4	Y45-00005-51	Motor, Evaporator, 12 VDC	2
	22-62328-01Fuse, 30A, 12VDC	2
	Y45-00005-54	Motor, Evaporator, 24VDC	2
	22-62328-03Fuse, 20A, 24VDC	2

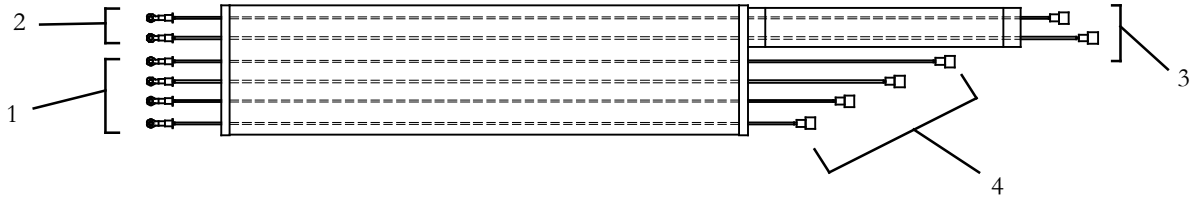


1.3.3 EM-3, 3 SPEED CHASSIS KITS (Common Parts) OPTION 1: Continued			
Item	Part Number	Description	Qty
5	42-62052-00	Gasket, Motor, (Gen-V)	2
6	22-62141-01	Terminal Block, 7 Position, Without Screws	1
7	22-62100-01	Terminal Block, 7 Position, With Screws	1
8	22-62169-00	Resistor, 220 W, .820 Ohm (3 Speed Application ONLY)	2
9	38-00564-53	Blower Wheel (Length - 21.90 Inches - 556.3 mm) Includes:	1
10	34-00482-05Set Screw, Cup Point, 1/4-28, SS	1
N.S.	76-62257-00	Blower Housing & Boot Repair Kit	1
11	12-00685-00	Thermostat, Freeze-Up, Non-Adjustable	2
12	08-01069-00	Coil, Evaporator	1
13	14-00397-00	Valve, Thermal Expansion, Block, R134a	1
14	AC801-202	O-Ring, 1/2 Inch	2
N.S.	AC201-412	Switch, Pressure, Low	1
N.S.	42-00032-00	Tape, Insulation, Prestite, 2 Inch X 30 Feet Long	1



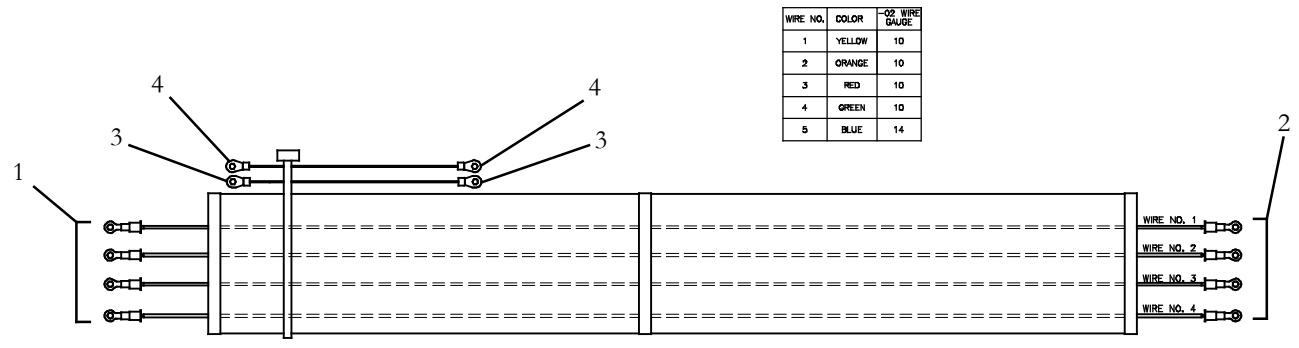
NOTE: Complete Wire Harnesses are Non-Stock Items. Replacement Components are Listed and can be cross referenced to supplier part number in manual T-375PL.

1.3.4 EM3 GEN-V, Wire Harness 22-62168-00 : OPTION 1



Item	Part Number	Description	Qty
1	22-00119-03	Terminal Ring #10, 12/10 AWG	4
2	22-00121-27	Terminal Ring #10, 22/18 AWG	2
3	22-02245-02	Terminal, Female, Fully Insulated Faston Straight 1/4", 22/18 AWG	2/3
4	31-1247	Terminal, Female, Fully Insulated Faston Straight 1/4", 12/10 AWG	4

1.3.4 EM3 GEN-V, Wire Harness 22-62164-00 : OPTION 2



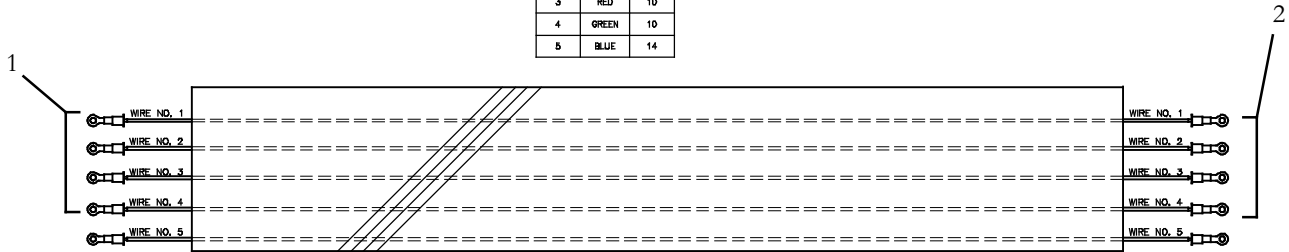
Item	Part Number	Description	Qty
1	22-01140-05	Ring Terminal, #8 - 10 AWG	4
2	22-01140-02	Ring Terminal, #10 - 10 AWG	4
3	22-00121-25	Ring Terminal, #8 - 18 AWG	2
4	22-00121-27	Ring Terminal, #10 - 18 AWG	2



NOTE: Complete Wire Harnesses are Non-Stock Items. Replacement Components are Listed and can be cross referenced to supplier part number in manual T-375PL.

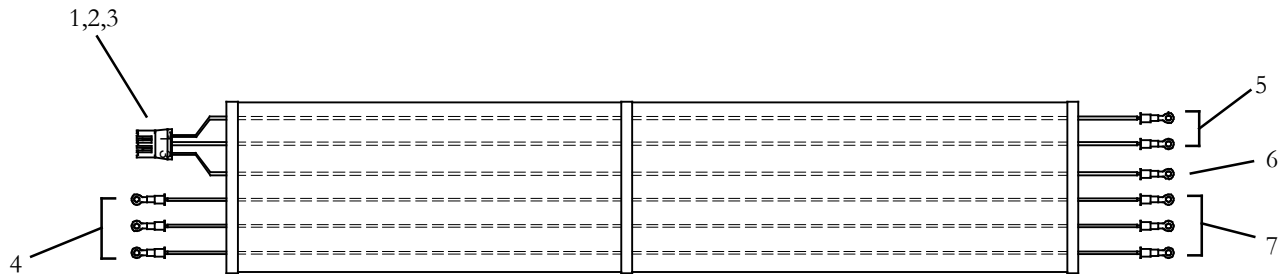
1.3.4 EM3 GEN-V, Wire Harness 22-62164-02 : OPTION 3

WIRE NO.	COLOR	WIRE GAUGE
1	YELLOW	10
2	ORANGE	10
3	RED	10
4	GREEN	10
5	BLUE	14



Item	Part Number	Description	Qty
1	22-01140-05	Ring Terminal, #8 - 10 AWG	4
2	22-01140-02	Ring Terminal, #10 - 10 AWG	4
3	22-01139-05	Ring Terminal, #8 - 14/16 AWG	1
4	22-01139-02	Ring Terminal, #10 - 14/16 AWG	1

1.3.4 EM2 GEN-V, Wire Harness 22-62261-00: OPTION 4

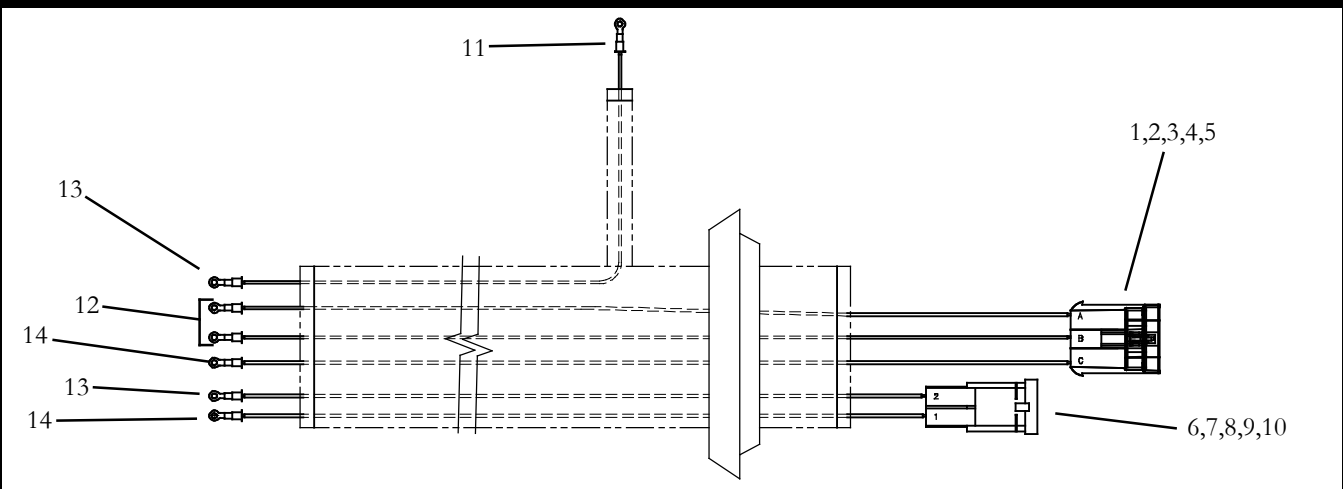


Item	Part Number	Description	Qty
1	Y31-00007-00	Connector, Female, Molex, 3 Way	1
2	Y31-00007-50	Terminal, Female, Molex, 18-20 AWG	2
3	Y31-00007-51	Terminal, Female, Molex, 14-16 AWG	1
4	22-01140-04	Terminal, Ring, 3/8", 12/10 AWG	3
5	22-00121-27	Terminal, Ring, #10 - 18 AWG	2
6	22-01139-02	Terminal, Ring, #10 - 14/16 AWG	1
7	22-01140-02	Terminal, Ring, #10 - 12/10 AWG	3



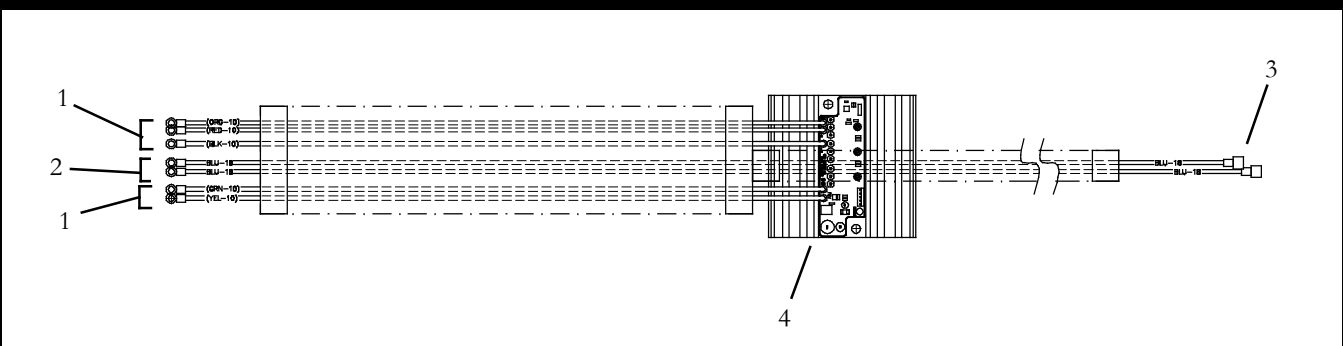
NOTE: Complete Wire Harnesses are Non-Stock Items. Replacement Components are Listed and can be cross referenced to supplier part number in manual T-375PL.

1.3.4 EM3 GEN-V, Wire Harnesses 22-62204-00: OPTION 5



Item	Part Number	Description	Qty
1	22-50078-86	Connector, Male, M/P 630, 3 Way	1
2	22-50078-49A	Terminal, Male, 18 AWG	2
3	22-50078-49C	Terminal, Male, 12 AWG	1
4	22-50078-86B	Cable Seal	3
5	22-50078-86A	Lock, Secondary	1
6	22-50098-67	Connector, Male, Tyco, 2 Way	1
7	22-50098-67B	Terminal, Male, 8 AWG	1
8	22-50098-67A	Terminal, Male, 10/12 AWG	1
9	22-50098-67C	Cable Seal, 10/12 AWG	1
10	22-50098-67D	Cable Seal, 8 AWG	1
11	22-00872-03	Terminal, Ring 5/16", 8 AWG	2
12	22-00121-27	Terminal, Ring, #10 - 18 AWG	2
13	22-00872-01	Terminal, Ring, #10 - 8 AWG	2
14	22-00119-03	Terminal, Ring, #10 - 12/10 AWG	2

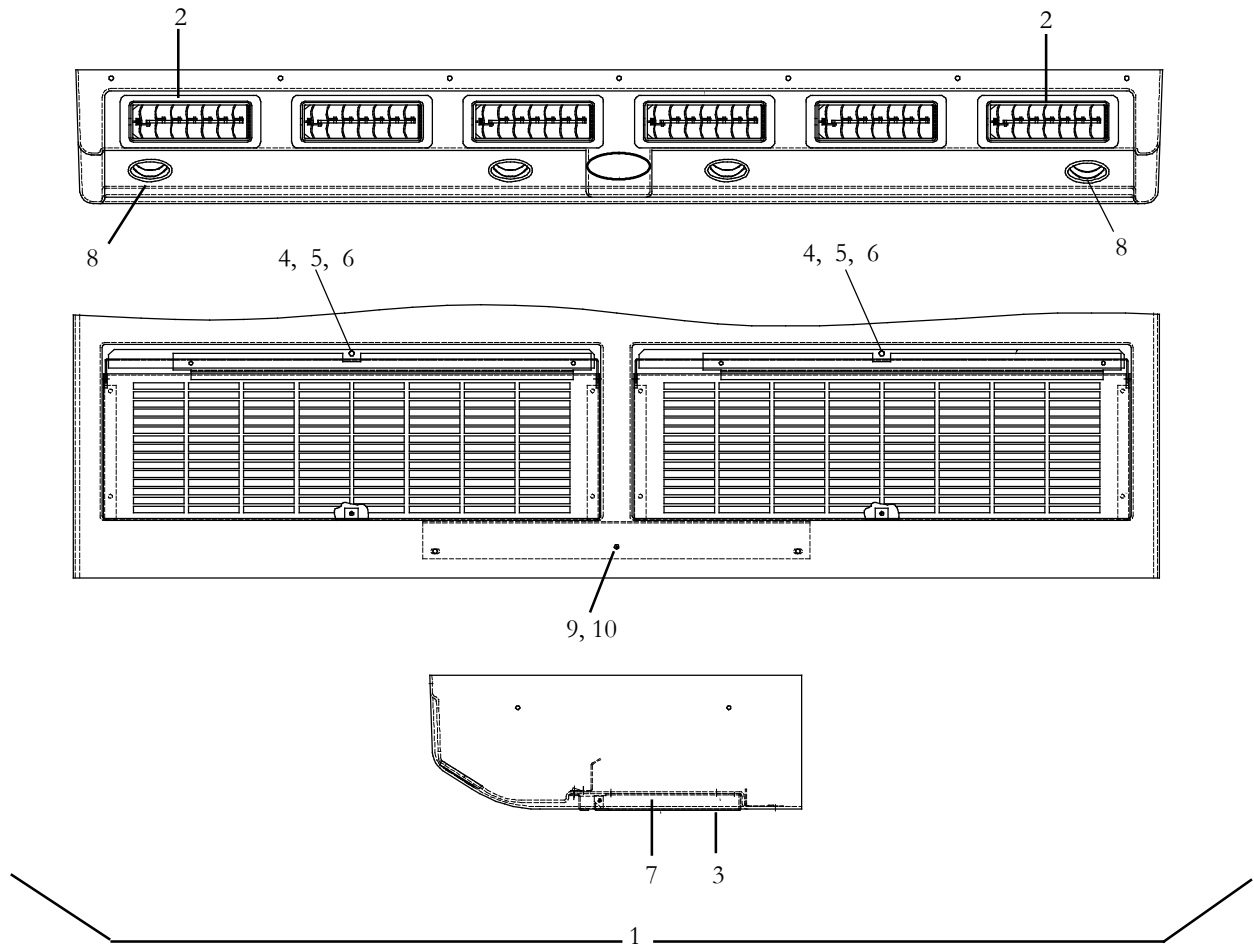
1.3.4 EM3 GEN-V, Wire Harness 22-62099-00 : OPTION 6



Item	Part Number	Description	Qty
1	22-01140-02	Terminal Ring #10, 12/10 AWG	5
2	22-00121-27	Terminal Ring #10, 22/18 AWG	2
3	22-02245-02	Terminal, Female, Fully Insulated Faston Straight 1/4", 22/18 AWG	2/4
4	12-00533-00	Speed Controller w/Harness	1



1.3.5 EM-3, GEN-5, COVER ASSEMBLY



Item	Part Number	Description	Qty
1	79-62065-01SV	Cover Assembly, EM-3, White - Includes:	1
	79-62065-02SV	Cover Assembly, EM-3, Gray - Includes:	1
2	58-62042-00Louver, Rectangular, (8.00 x 3.00 Inches)	6
3	68-63275-03Grill, Evaporator, EM-3, Gen-V, (Painted)	2
4	34-06169-01Washer, Retaining, 0.215 I.D.	2
5	34-62020-00Stud, 1/4 Turn, .25 Grip Range	2
6	34-62019-00Receptacle, 1/4 Turn	2
7	38-00573-04Filter, Air, (26.81 inch X 9.00 inch)	2
8	Y23-00002-00Louver, Adjustable, 3.00 Inches, (Round)	4
10	AC801-529Washer, Snap Cap	1
	AC801-531Snap Cap, White	1
	AC801-532Snap Cap, Gray	1

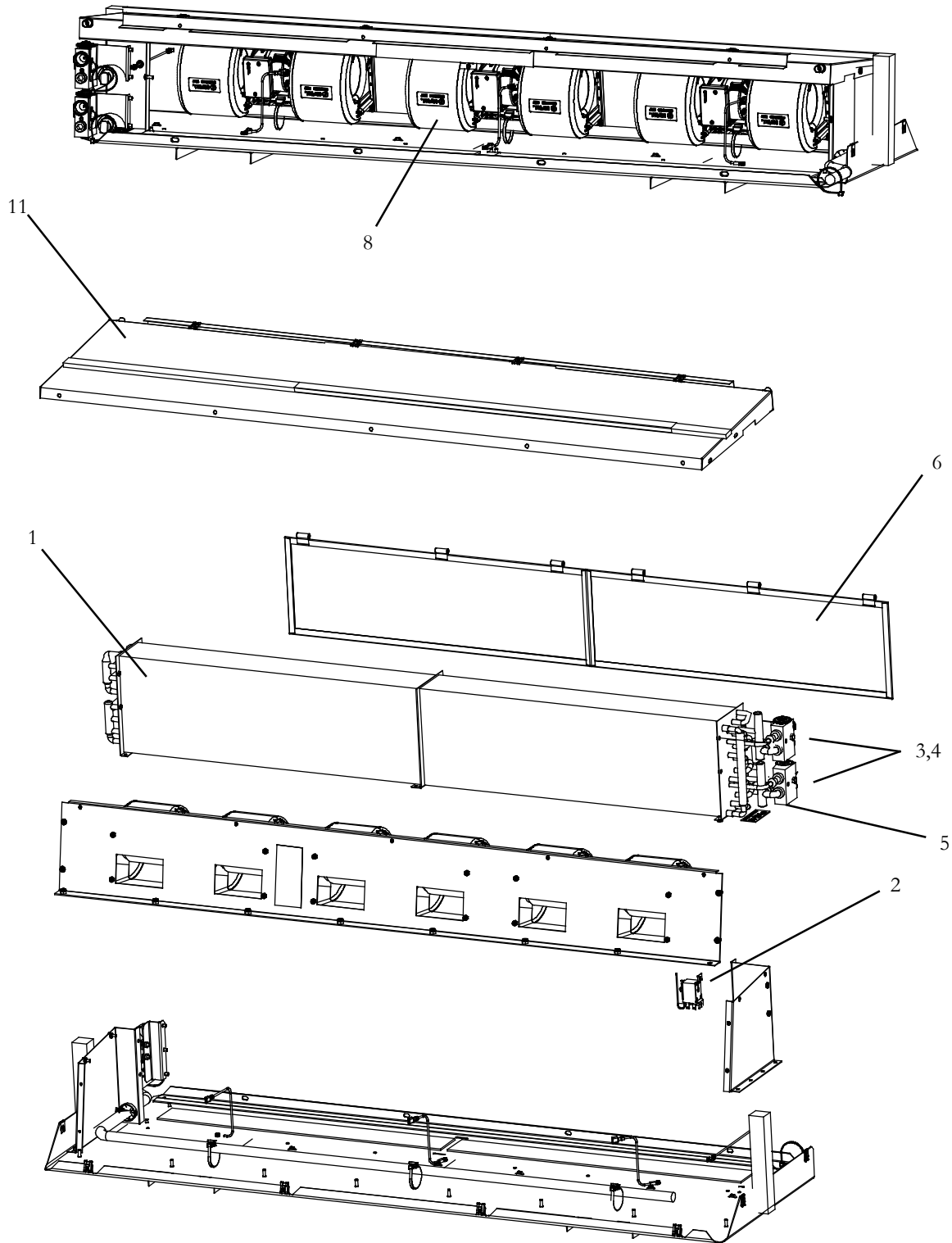


OPTION TABLE - EM3 - CLASSIC LINE

MODEL EM3 Y19-EM307	Cover Kit (See Section 1.5.5)	Chassis Kit (See Section 1.3.6)	Wire Harness (See Section 1.5.6)
-00	-	3	3
-01	-	4	3
-21	2	3	3
-22	1	3	3
-23	2	4	3
-24	1	4	3
-30	2	3	3
-31	1	3	3
-32	2	4	3
-33	1	4	3
-40	2	3	3
-41	1	3	3
-42	2	4	3
-43	1	4	3
-47	1	3	3
-50	2	1	1
-51	1	1	1
-52	2	2	1
-53	1	2	1
-54	2	1	1
-55	1	1	1
-56	2	2	1
-57	1	2	1
-58	1	1	1
-80	2	3	2
-81	1	3	2
-82	2	4	2
-83	1	4	2
-86	-	3	1



1.3.6 EM-3, CLASSIC LINE, 3 SPEED CHASSIS KITS Y73-EM303-00 & -01, OPTION 1 & 2

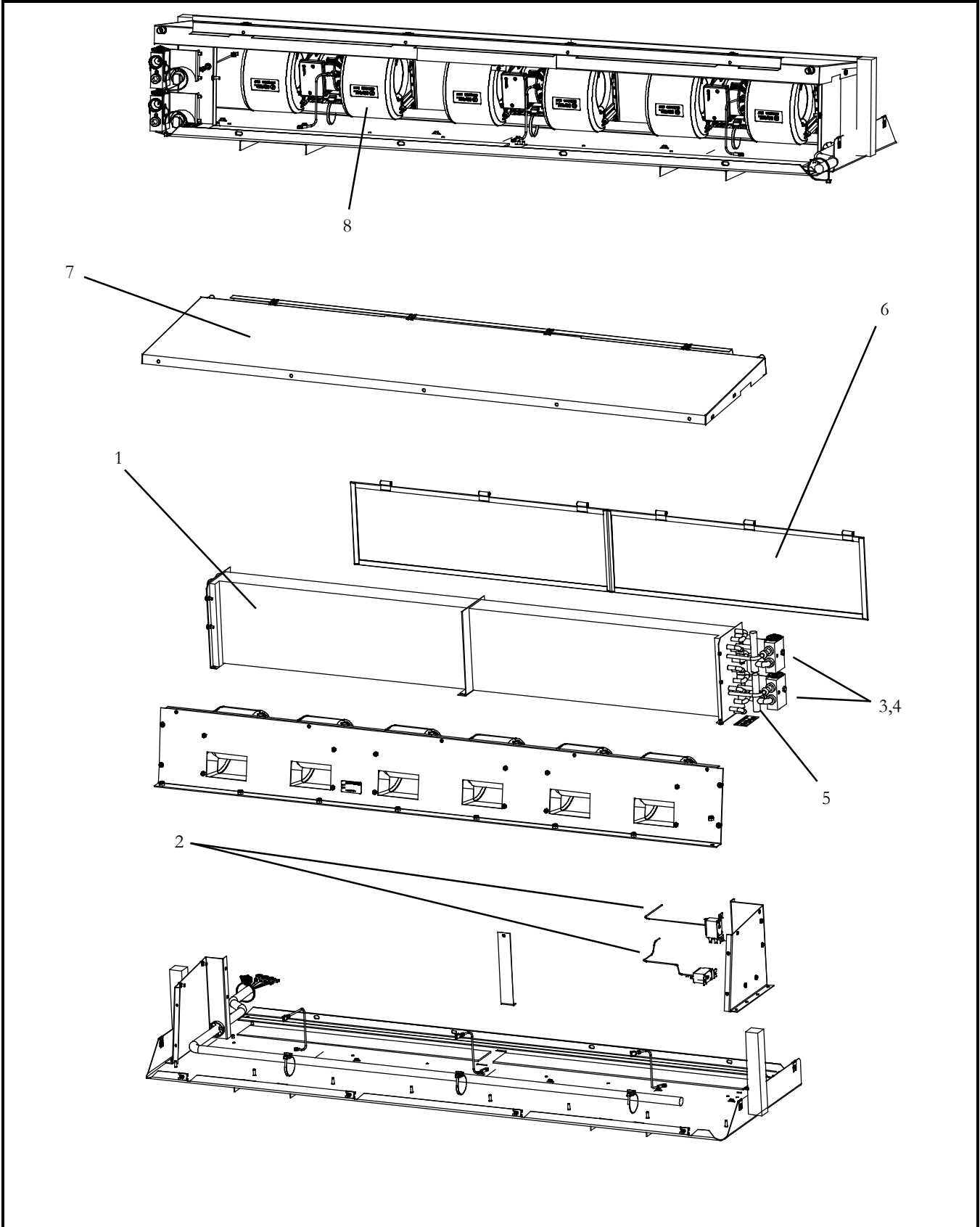




1.3.6 EM-3, CLASSIC LINE, 3 SPEED CHASSIS KITS Y73-EM303-00 & -01, OPTION 1 & 2, Cont.			
Item	Part Number	Description	Qty
1	08-62068-00	Coil Assembly, Evaporator, (Cool Only): Option 1	1
	08-62067-00	Coil Assembly, Evaporator, (With Heat): Option 2	1
2	12-00685-00	Thermostat, Freeze-up	1
3	14-00397-00	Thermal Expansion Valve (TXV)	2
4	AC801-202	O-Rings, 1/2" HN BR	4
5	AC201-412	Pressure Switch, Low	2
6	38-00573-07	Filter, Air	2
7	79-62127-00	Drain Pan Assembly	1
8	Y15-00003-00	Blower Assembly, 12VDC, w/Resistor	3



1.3.6 EM-3, CLASSIC LINE, 3 SPEED CHASSIS KITS Y73-EM303-02, -03, -04 & -05, OPTION 3 & 4

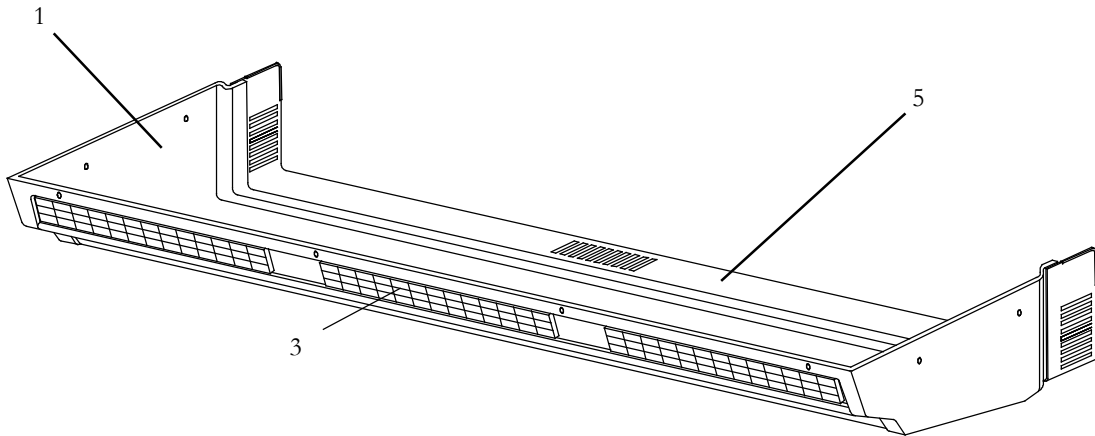




1.3.6 EM-3, CLASSIC LINE, 3 SPEED CHASSIS KITS Y73-EM303-02, -03, -04 & -05, OPTION 3 & 4, Cont.			
Item	Part Number	Description	Qty
1	08-62068-00	Coil Assembly, Evaporator, (Cool Only): Option 3	1
	08-62067-00	Coil Assembly, Evaporator, (With Heat): Option 4	1
2	12-00685-00	Thermostat, Freeze-up	2
3	14-00397-00	Thermal Expansion Valve (TXV)	2
4	AC801-202	O-Rings, 1/2" HN BR	4
5	AC201-412	Pressure Switch, Low	2
6	38-00573-07	Filter, Air	2
7	79-62127-00	Drain Pan Assembly	1
8	Y15-00003-00	Blower Assembly, 12VDC, w/Resistor	3



1.3.7 EM-3, CLASSIC LINE, COVER ASSEMBLY, REAR MOUNT : OPTION 1 & 2

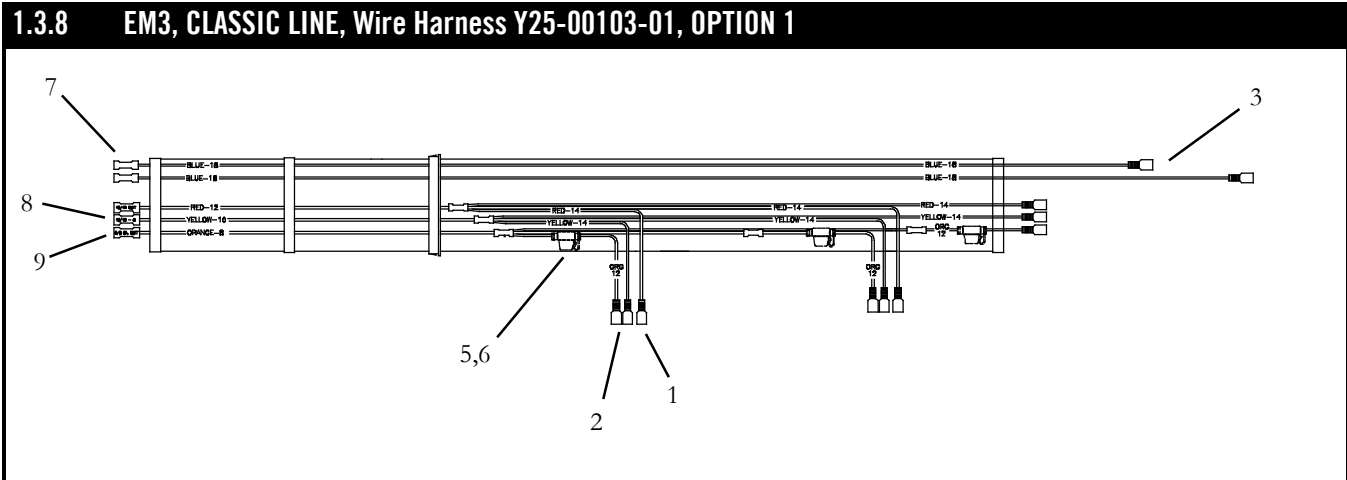


Item	Part Number	Description	Qty
1	79-62073-01	Cover Assembly, Gray, OPTION 1	1
	79-62073-00	Cover Assembly, White, OPTION 2	1
2	AC401-320	Diffuser, Air, Adjustable Rectangular	3
3	AC022-252	Grille, Return Air	1



NOTE

Complete Wire Harnesses are Non-Stock Items. Replacement Components are Listed and can be cross referenced to supplier part number in manual T-375PL.



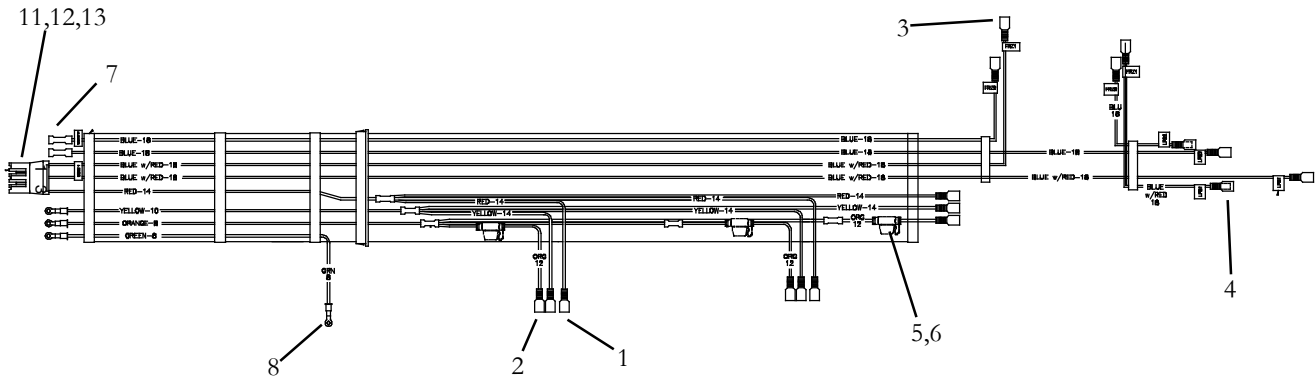
Item	Part Number	Description	Qty
1	22-01141-01	Terminal, Female, 1/4" Pushon, Insulated 16-14 AWG	6
2	22-01142-01	Terminal, Female, 1/4" Pushon, Insulated 10-12 AWG	3
3	22-02245-02	Terminal, Female, 1/4" Pushon, Insulated 22-18 AWG	2
4	22-01502-00	Terminal, Male, 1/4" Pushon, Insulated 22-18 AWG	1
5	22-02338-07	Fuseholder, w/Cap	3
6	22-02336-26	Fuse, Mini, 25A	3
7	REF	Terminal, Butt Splice, Heat Sealable, 22-18 AWG (Molex Part # 19164-0013)	2
8	REF	Terminal, Butt Splice, Heat Sealable, 12-10 AWG (Molex Part # 19164-0056)	1
9	REF	Terminal, Butt Stepdown, Heat Sealable, 12-10/8 AWG (Waytec Part # 38253)	1
N.S.	Y30-13000-00	Nyogel	1



NOTE

Complete Wire Harnesses are Non-Stock Items. Replacement Components are Listed and can be cross referenced to supplier part number in manual T-375PL.

1.3.8 EM3, CLASSIC LINE, Wire Harness Y25-00103-02, OPTION 2



Item	Part Number	Description	Qty
1	22-01141-01	Terminal, Female, 1/4" Pushon, Insulated 16-14 AWG	6
2	31-1247	Terminal, Female, 1/4" Pushon, Insulated 10-12 AWG	3
3	22-02245-02	Terminal, Female, 1/4" Pushon, Insulated 22-18 AWG	6
4	22-01502-00	Terminal, Male, 1/4" Pushon, Insulated 22-18 AWG	2
5	22-02338-07	Fuseholder, w/Cap	3
6	22-02336-26	Fuse, Mini, 25A	3
7	REF	Terminal, Butt Splice, Heat Sealable, 22 -18 AWG (Molex Part # 19164-0013)	2
8	22-00872-02	Terminal, Ring, 1/4"- 8AWG	1
9	22-01140-04	Terminal, Ring, 3/8"- 10 -12AWG	1
10	22-00872-04	Terminal, Ring, 3/8"- 8AWG	2
11	Y31-00007-00	Connector, Molex, 3 Way	1
12	Y31-00007-50	Terminal, Molex, Small, 18 -20AWG	2
13	Y31-00007-51	Terminal, Molex, Large, 14 -16AWG	1
N.S.	Y30-13000-00	Nyogel	1



NOTE

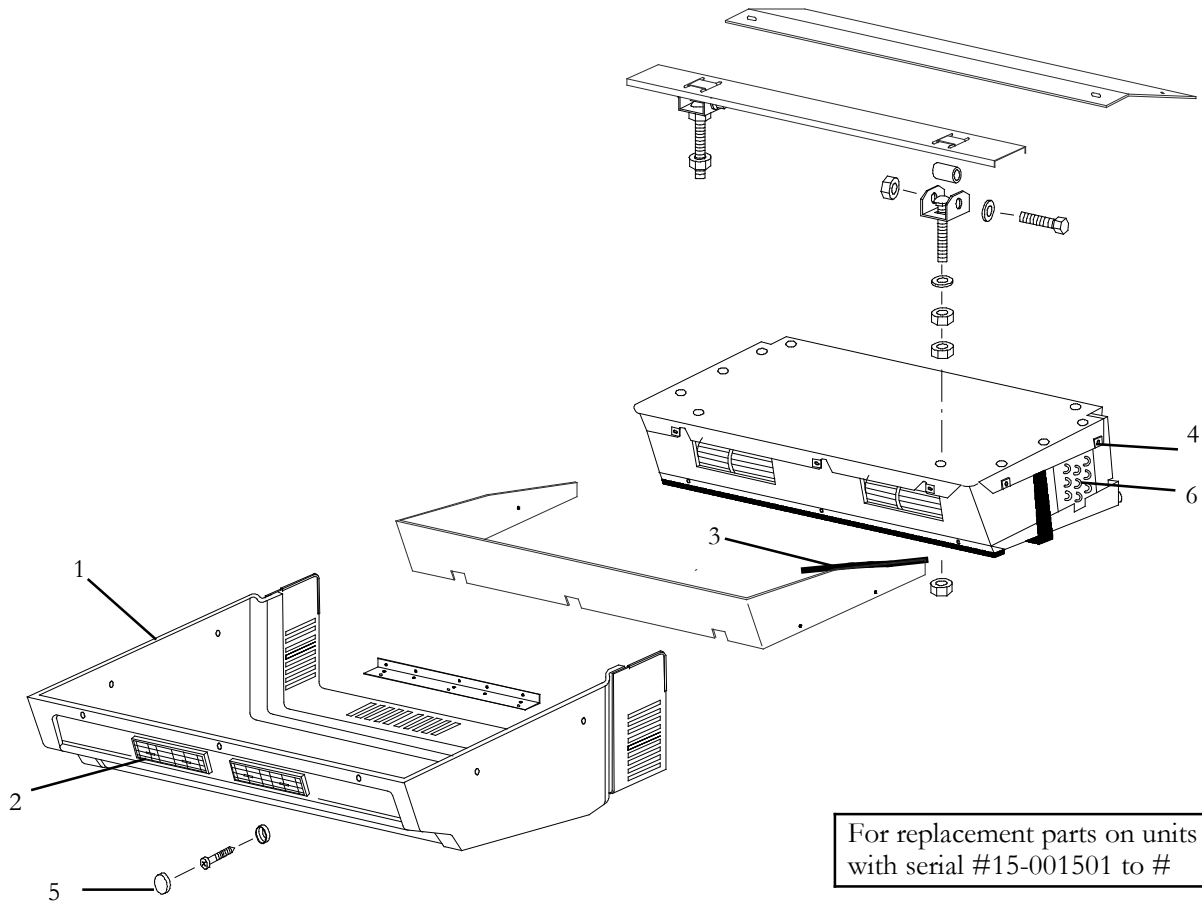
Complete Wire Harnesses are Non-Stock Items. Replacement Components are Listed and can be cross referenced to supplier part number in manual T-375PL.

1.3.8 EM3, CLASSIC LINE, Wire Harness Y25-00103-03, OPTION 3			
Item	Part Number	Description	Qty
1	22-01141-01	Terminal, Female, 1/4" Pushon, Insulated 16-14 AWG	6
2	31-1247	Terminal, Female, 1/4" Pushon, Insulated 10-12 AWG	3
3	22-02245-02	Terminal, Female, 1/4" Pushon, Insulated 22-18 AWG	6
4	22-01502-00	Terminal, Male, 1/4" Pushon, Insulated 22-18 AWG	1
5	22-02338-07	Fuseholder, w/Cap	3
6	22-02336-26	Fuse, Mini, 25A	3
7	REF	Terminal, Butt Splice, Heat Sealable, 22-18 AWG (Molex Part # 19164-0013)	2
8	REF	Terminal, Butt Splice, Heat Sealable, 12-10 AWG (Molex Part # 19164-0056)	1
9	REF	Terminal, Butt Stepdown, Heat Sealable, 12-10/8 AWG (Waytec Part # 38253)	1
10	REF	Terminal, Butt Stepdown, 6/8 AWG	1
11	22-00121-25	Terminal, Ring, #8 - 18AWG	2
N.S.	Y30-13000-00	Nyogel	1



SECTION 1.4 EM-6 EVAPORATORS

1.4.1 EVAPORATOR, EM-6, GEN 4, SIDE MOUNT, FREE BLOW



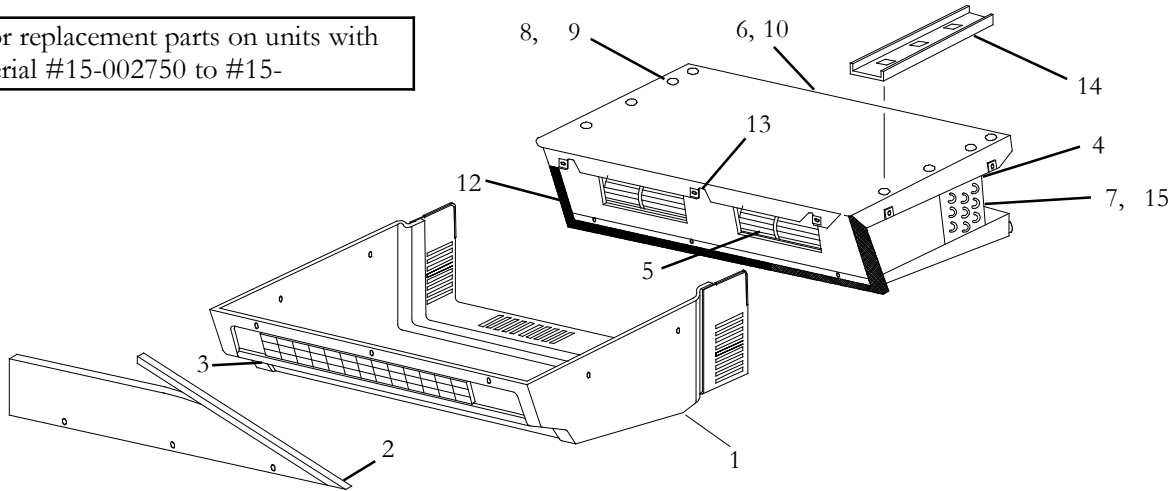
For replacement parts on units with serial #15-001501 to #

Item	Part Number	Description	Qty
1	N/A	Cover Assembly, White	1
	79-62076-01	Cover Assembly, Gray	1
2	AC401-308	Assembly, Louver (7.0 X 3.0 Inches)	2
3	AC801-412F25	Trim, Flexible, Black (25 Ft. Roll)	1
4	AC701-123	Clip, Tinnerman, High Torque, #10AB	10
5	AC801-531	Cap, Snap, White	7
	AC801-532	Cap, Snap, Gray	7
6	N/A	Coil Assembly, 3 Row, W/O Heat (Includes TXV)	1



1.4.2 EVAPORATOR, EM-6, GEN 4, FREE BLOW

For replacement parts on units with serial #15-002750 to #15-



Item	Part Number	Description	Qty
1	79-62074-00	Cover Assembly, White	1
	79-62074-01	Cover Assembly, Gray	1
2	AC801-412F25	Flexible Trim, Black (25 Ft. Roll)	1
3	AC401-320	Assembly, Louver, Air Outlet, (14-3/8 X 3-3/8 Inch)	1
4	AC801-462	Filter, Return Air (1/4 X 8.0 X 19.0 Inch)	1
5	AC401-232	Assembly, Blower, Dual, 12 VDC	1
	AC401-233	Assembly, Blower, Dual, 24 VDC	1
6	76-62019-00	Resistor Kit, (1.8 Ohm, 4 Prong)	1
7	08-62061-00	Assembly, Coil, With Low Pressure Switch Connection	1
	08-62062-00	Assembly, Coil, With Heat, Coil, With Low Pressure Switch Connection	1
8	14-00397-00	Valve, Thermal Expansion	1
9	AC801-202	O-Ring, 1/2 Inch	2
10	AC201-501	Thermostat, Freeze-Up, Coil Insert	1
11	AC801-403	Gasket, Foam (1-1/4 X 1-1/4 inch X 25 Foot Roll)	1
12	AC801-414	Gasket, Foam, Soft (3/8 X 1 inch X 25 Foot Roll)	1
13	AC701-123	Clip, Tinnerman, High-Torque (#10AB)	11
14	AC020-009	Channel, Mounting	2
15	AC201-412	Switch, Low Pressure	1

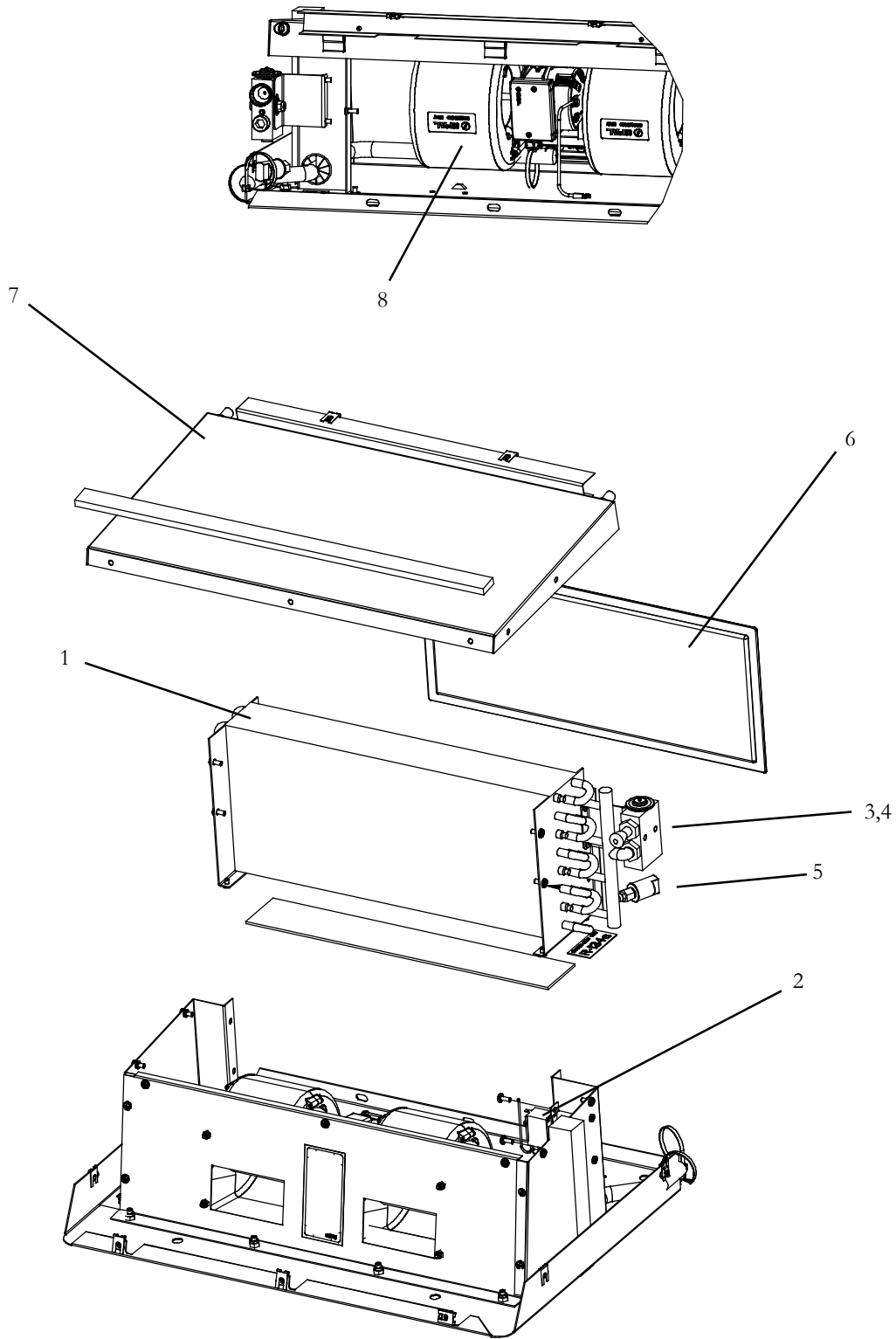


OPTION TABLE - EM6 - CLASSIC LINE

MODEL EM6 Y19-EM607	Cover Kit (See Section 1.4.4)	Chassis Kit (See Section 1.4.3)	Wire Harness (See Section 1.4.5)
-00	-	1	1
-01	-	2	1
-21	2	1	1
-22	1	1	1
-23	2	2	1
-24	1	2	1
-30	2	1	1
-31	1	1	1
-32	2	2	1
-33	1	2	1
-80	2	2	2
-82	1	2	2



1.4.3 EM-6, CLASSIC LINE, 3 SPEED CHASSIS KITS Y73-EM601-00 & -01, OPTION 1 & 2

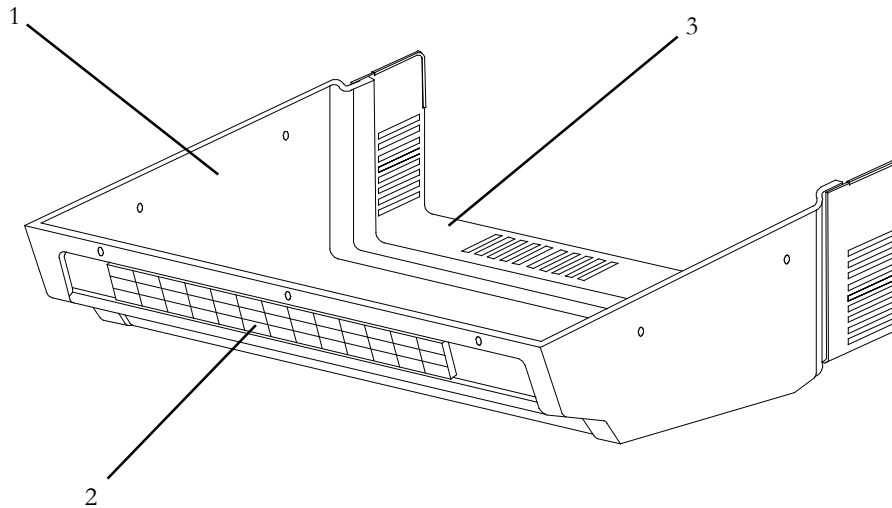




1.4.3 EM-6, CLASSIC LINE, 3 SPEED CHASSIS KITS Y73-EM601-00 & -01, OPTION 1 & 2, Cont.			
Item	Part Number	Description	Qty
1	08-62061-00	Coil Assembly, Evaporator, (Cool Only), OPTION 1	1
	08-62062-00	Coil Assembly, Evaporator, (With Heat), OPTION 2	1
2	12-00685-00	Thermostat, Freeze-up	1
3	14-00397-00	Thermal Expansion Valve (TXV)	1
4	AC801-202	O-Rings, 1/2" HN BR	2
5	AC201-412	Pressure Switch, Low	1
6	AC801-462	Filter, Air	1
7	79-62128-00	Drain Pan Assembly	1
8	Y15-00003-00	Blower Assembly, 12VDC, w/Resistor	1



1.4.4 EM-6, CLASSIC LINE, COVER ASSEMBLY, REAR MOUNT : OPTION 1 & 2



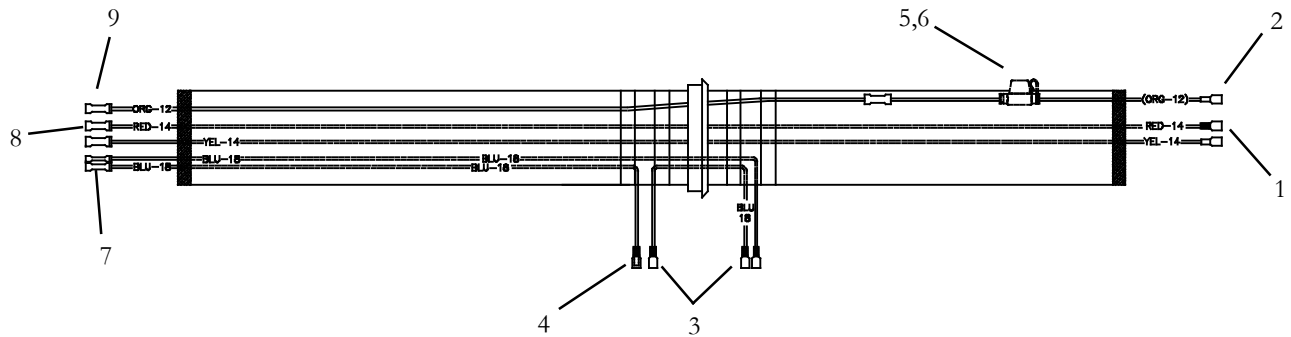
Item	Part Number	Description	Qty
1	79-62074-01	Cover Assembly, Gray, OPTION 1	1
	79-62074-00	Cover Assembly, White, OPTION 2	1
2	AC401-320	Diffuser, Air, Adjustable Rectangular	1
3	AC022-253	Grille, Return Air	1



NOTE

Complete Wire Harnesses are Non-Stock Items. Replacement Components are Listed and can be cross referenced to supplier part number in manual T-375PL.

1.4.5 EM6 CLASSIC LINE, WIRE HARNESS Y25-00102-01, OPTION 1



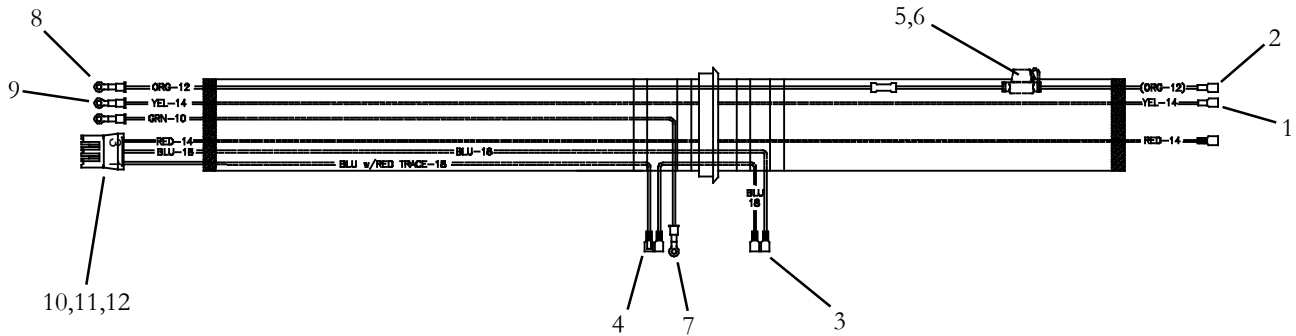
Item	Part Number	Description	Qty
1	22-01141-01	Terminal, Female, 1/4" Pushon, Insulated 16-14 AWG	2
2	22-01142-01	Terminal, Female, 1/4" Pushon, Insulated 10-12 AWG	1
3	22-02245-02	Terminal, Female, 1/4" Pushon, Insulated 22-18 AWG	3
4	22-01502-00	Terminal, Male, 1/4" Pushon, Insulated 22-18 AWG	1
5	22-02338-07	Fuseholder, w/Cap	1
6	22-02336-26	Fuse, Mini, 25A	1
7	REF	Terminal, Butt Splice, Heat Sealable, 22-18 AWG (Molex Part # 19164-0013)	2
8	REF	Terminal, Butt Stepdown, Heat Sealable, 16-14/12-10 AWG (Molex Part # 19164-0077)	2
9	REF	Terminal, Butt Stepdown, Heat Sealable, 12-10/8 AWG (Waytec Part # 38253)	1
N.S.	Y30-13000-00	Nyogel	1



NOTE

Complete Wire Harnesses are Non-Stock Items. Replacement Components are Listed and can be cross referenced to supplier part number in manual T-375PL.

1.4.5 EM6 CLASSIC LINE, WIRE HARNESS Y25-00102-02, OPTION 2



Item	Part Number	Description	Qty
1	22-01141-01	Terminal, Female, 1/4" Pushon, Insulated 16-14 AWG	2
2	31-1247	Terminal, Female, 1/4" Pushon, Insulated 10-12 AWG	2
3	22-02245-02	Terminal, Female, 1/4" Pushon, Insulated 22-18 AWG	3
4	22-01502-00	Terminal, Male, 1/4" Pushon, Insulated 22-18 AWG	1
5	22-02338-07	Fuseholder, w/Cap	2
6	22-02336-26	Fuse, Mini, 25A	2
7	22-01140-03	Terminal, Ring, 1/4"- 10-12AWG	1
8	22-01140-04	Terminal, Ring, 3/8"- 10 -12AWG	2
9	22-01139-04	Terminal, Ring, 3/8"- 14-16AWG	1
10	Y31-00007-00	Connector, Molex, 3 Way	1
11	Y31-00007-50	Terminal, Molex, Small, 18 -20AWG	2
12	Y31-00007-51	Terminal, Molex, Large, 14 -16AWG	1
N.S.	Y30-13000-00	Nyogel	1



SECTION 1.5 EM-7 EVAPORATORS

**OPTION TABLE - EM7 - GEN V,
12 VDC - 3 Speed**

MODEL EM7 Gen V 77-62572	Cover Kit (see Section 1.5.3)	Chassis Kit (see Section 1.5.1)	Wire Harness (see Section 1.5.2)
-00	-	1	1
-01	-	1	1 & 2
-02	-	1	1 & 2
-05	-	1	1 & 4
-06	-	1	1 & 5
-07	-	1	1 & 5
-21	1	1	1 & 2
-22	1	1	1 & 2
-23	2	1	1 & 2
-24	2	1	1 & 2
-31	1	1	1 & 2
-32	1	1	1 & 2
-41	1	1	1 & 2
-42	1	1	1 & 2
-44	1	1	1 & 2
-45	1	1	1 & 2
-47	1	1	1 & 2
-51	2	1	1 & 2
-52	2	1	1 & 2
-61	2	1	1 & 2
-62	2	1	1 & 2
-63	2	1	5
-64	2	1	5
-80	1	1	1 & 4
-81	1	1	1 & 4
-82	1	1	1 & 4
-83	1	1	1 & 4
-85	1	1	1 & 2
-90	2	1	1 & 3
-91	2	1	1 & 3
-95	1	1	1 & 2
-96	1	1	1 & 2

**OPTION TABLE - EM7 - GEN V
12 VDC - Variable Speed**

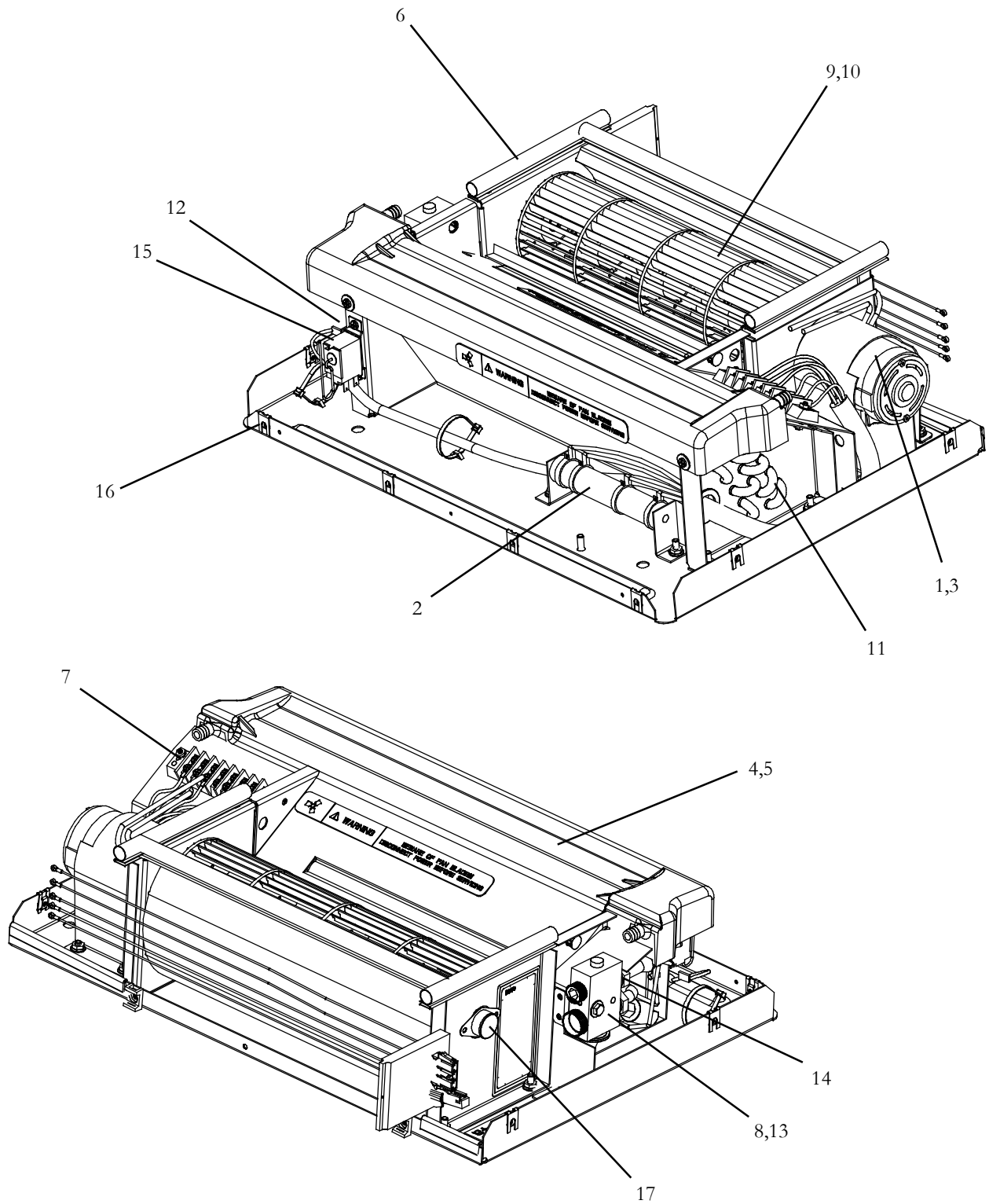
MODEL EM7 Gen V 77-62712	Cover Kit (see Section 1.5.3)	Chassis Kit (see Section 1.5.1)	Wire Harness (see Section 1.5.2)
-00	-	1	6
-21	1	1	6
-22	1	1	6
-31	1	1	6
-32	1	1	6
-41	1	1	6
-42	1	1	6
-44	1	1	6
-45	1	1	6
-51	2	1	6
-52	2	1	6
-61	2	1	6
-62	2	1	6
-80	1	1	6 & 7
-82	1	1	6 & 7

**OPTION TABLE - EM7 - GEN V
24 VDC - Variable Speed**

MODEL EM7 Gen V 77-62724	Cover Kit (see Section 1.5.3)	Chassis Kit (see Section 1.5.1)	Wire Harness (see Section 1.5.2)
-00	-	1	6
-41	1	1	6
-42	1	1	6
-61	2	1	6
-62	2	1	6



1.5.1 EVAPORATOR, EM-7, GEN V, CHASSIS KIT (Common Parts): OPTION 1



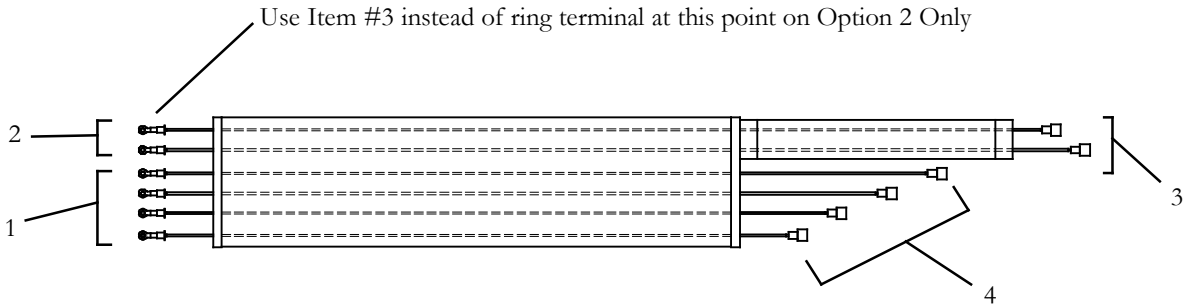


1.5.1 EVAPORATOR, EM-7, GEN V, CHASSIS KIT (Common Parts): OPTION 1 (Continued)			
Item	Part Number	Description	Qty
1	Y45-00005-52	Motor Evaporator, 12 VDC, GEN-V (3 Speed Application ONLY)	1
	22-62328-02	Fuse, 25A, 12 VDC, GEN-V	1
	Y45-00005-55	Motor Evaporator, 24 VDC, GEN-V	1
	22-02336-24	Fuse, 15A, 24 VDC, GEN-V	1
2	22-62169-00	Resistor, 220 W, .820 Ohm (3 Speed Application ONLY)	1
3	42-62052-00	Gasket, Motor	1
4	79-62106-02	Drain Pan Assembly, Includes:	1
5	42-62140-02Baffle, Drain Pan, Foam	1
6	58-62064-00F25	Trim Seal, 1/8 Inch Grip, (25 Foot Roll)	A/R
7	22-62141-01	Terminal Block, 7 Position, (30 Amp)	1
8	AC701-101	Clip, Tinnerman, high Torque, (1/4-20)	1
9	38-00564-52	Blower Wheel (Length: 14.61 Inches - 371.1 mm) Includes:	1
10	34-00482-05	Set Screw, Cup Point, 1/4-28, SS	1
11	08-01068-02	Coil, Evaporator	1
12	AC201-412	Switch, Pressure, Low, Female	1
13	14-00397-00	Valve, Thermal Expansion, R134a	1
N.S.	42-00032-00	Tape, Insulation, Presstite, 2.00 Inch X 30 Feet Long	1
14	AC801-202	O-Ring, HNBR, (1/2 Inch)	2
15	12-00685-00	Thermostat, Freeze, Non-Adjustable	1
16	AC701-123	Clip, Tinnerman, High Torque, (#10AB)	8
17	76-62257-00	Blower Housing & Boot Repair Kit - Includes:	1



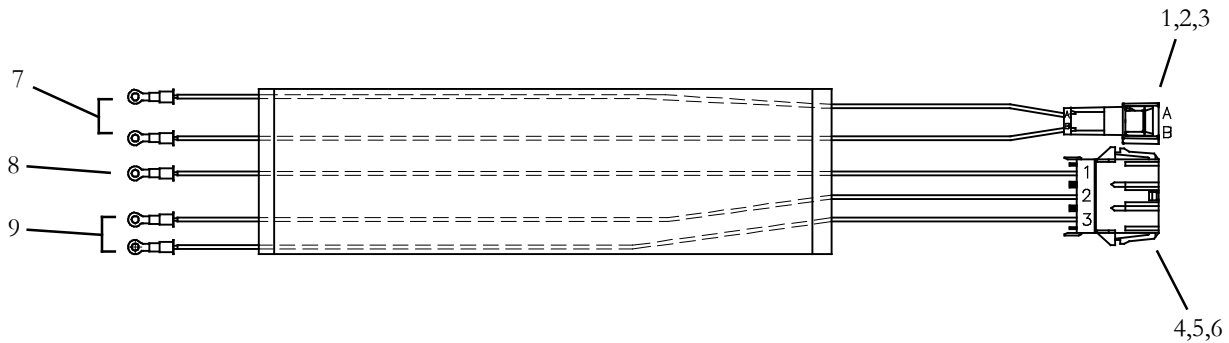
NOTE: Complete Wire Harnesses are Non-Stock Items. Replacement Components are Listed and can be cross referenced to supplier part number in manual T-375PL.

1.5.2 EM7 GEN-V, Wire Harness 22-62168-00 & -01: OPTION 1 & OPTION 5



Item	Part Number	Description	Qty
1	22-00119-03	Terminal Ring #10, 12/10 AWG	4
2	22-00121-27	Terminal Ring #10, 22/18 AWG	2
3	22-02245-02	Terminal, Female, Fully Insulated Faston Straight 1/4", 22/18 AWG	2/3
4	31-1247	Terminal, Female, Fully Insulated Faston Straight 1/4", 12/10 AWG	4

1.5.2 EM7 GEN-V, Wire Harness 22-62286-00: OPTION 2

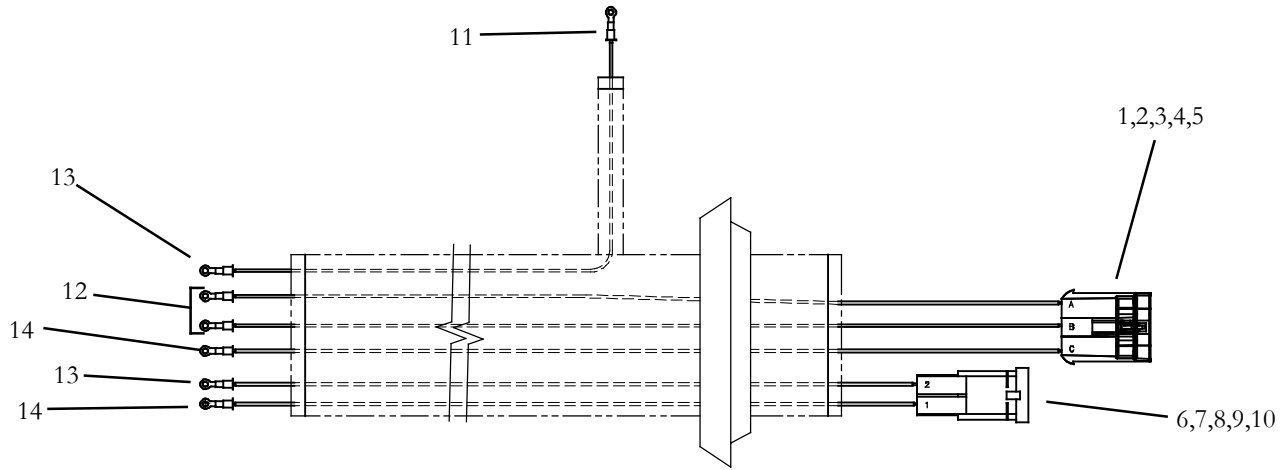


Item	Part Number	Description	Qty
1	22-50099-37	Connector, Male, 2 Way, MP 280 Series, Unsealed	1
2	22-50099-37A	Terminal, Male, 16/18 AWG	2
3	22-50099-37D	Lock, Secondary	1
4	22-50099-32	Connector, Plug Housing, 3 Way, Molex	1
5	22-50099-32A	Terminal, Male, Molex 10/12 AWG	2
6	22-50099-32B	Terminal, Male, Molex, 8 AWG	1
7	22-00121-27	Terminal Ring #10, 22/18 AWG	2
8	22-00119-03	Terminal Ring #10, 12/10 AWG	2
9	22-00872-01	Terminal Ring #10, 8 AWG	1



NOTE: Complete Wire Harnesses are Non-Stock Items. Replacement Components are Listed and can be cross referenced to supplier part number in manual T-375PL.

1.5.2 EM7 GEN-V, Wire Harnesses 22-62247-00: OPTION 3

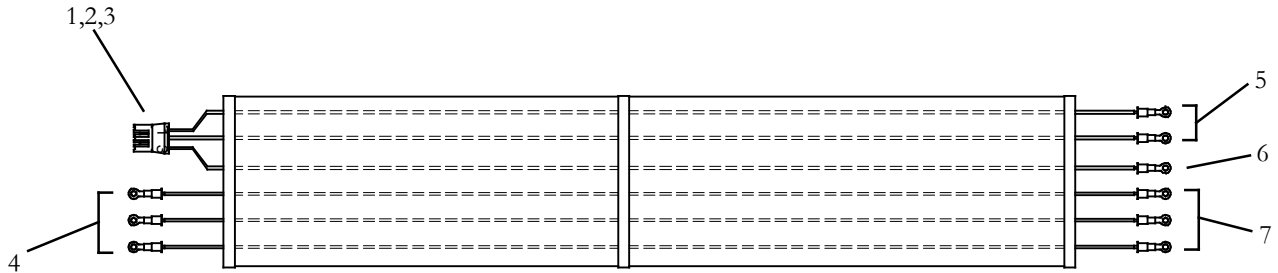


Item	Part Number	Description	Qty
1	22-50078-86	Connector, Male, M/P 630, 3 Way	1
2	22-50078-49A	Terminal, Male, 18 AWG	2
3	22-50078-49C	Terminal, Male, 12 AWG	1
4	22-50078-86B	Cable Seal	3
5	22-50078-86A	Lock, Secondary	1
6	22-50098-67	Connector, Male, Tyco, 2 Way	1
7	22-50098-67B	Terminal, Male, 8 AWG	1
8	22-50098-67A	Terminal, Male, 10/12 AWG	1
9	22-50098-67C	Cable Seal, 10/12 AWG	1
10	22-50098-67D	Cable Seal, 8 AWG	1
11	22-00872-03	Terminal, Ring 5/16", 8 AWG	2
12	22-00121-27	Terminal, Ring, #10 - 18 AWG	2
13	22-00872-01	Terminal, Ring, #10 - 8 AWG	2
14	22-00119-03	Terminal, Ring, #10 - 12/10 AWG	2



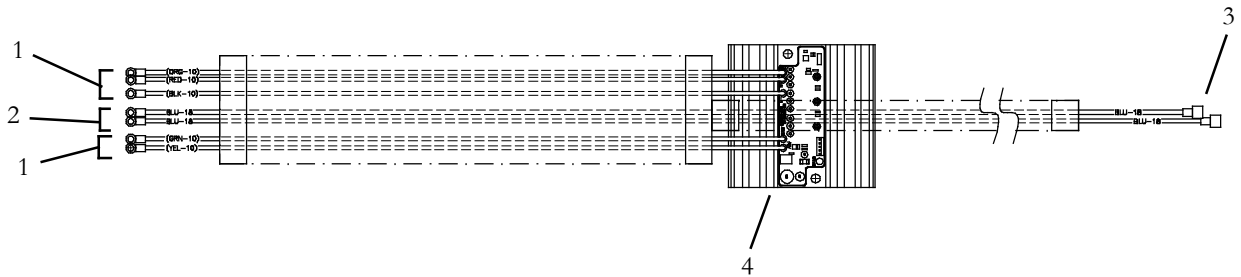
NOTE: Complete Wire Harnesses are Non-Stock Items. Replacement Components are Listed and can be cross referenced to supplier part number in manual T-375PL.

1.5.2 EM7 GEN-V, Wire Harness 22-62261-00: OPTION 4



Item	Part Number	Description	Qty
1	Y31-00007-00	Connector, Female, Molex, 3 Way	1
2	Y31-00007-50	Terminal, Female, Molex, 18-20 AWG	2
3	Y31-00007-51	Terminal, Female, Molex, 14-16 AWG	1
4	22-01140-04	Terminal, Ring 3/8", 12/10 AWG	3
5	22-00121-27	Terminal, Ring, #10 - 18 AWG	2
6	22-01139-02	Terminal, Ring, #10 - 14/16 AWG	1
7	22-01140-02	Terminal, Ring, #10 - 12/10 AWG	3

1.5.2 EM7 GEN-V, Wire Harness 22-62099-00 & -01: OPTION 6

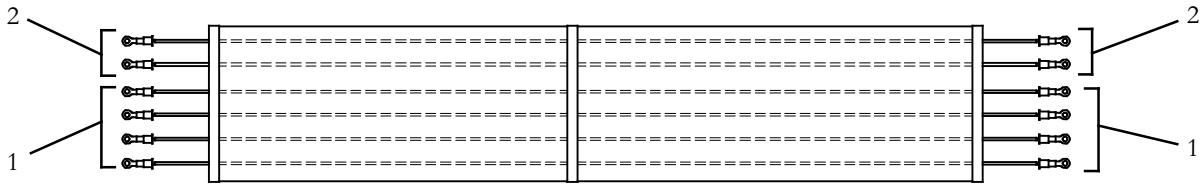


Item	Part Number	Description	Qty
1	22-01140-02	Terminal Ring #10, 12/10 AWG	5
2	22-00121-27	Terminal Ring #10, 22/18 AWG	2
3	22-02245-02	Terminal, Female, Fully Insulated Faston Straight 1/4", 22/18 AWG	2/4
4	12-00533-00	Speed Controller w/ Harness	1



NOTE: Complete Wire Harnesses are Non-Stock Items. Replacement Components are Listed and can be cross referenced to supplier part number in manual T-375PL.

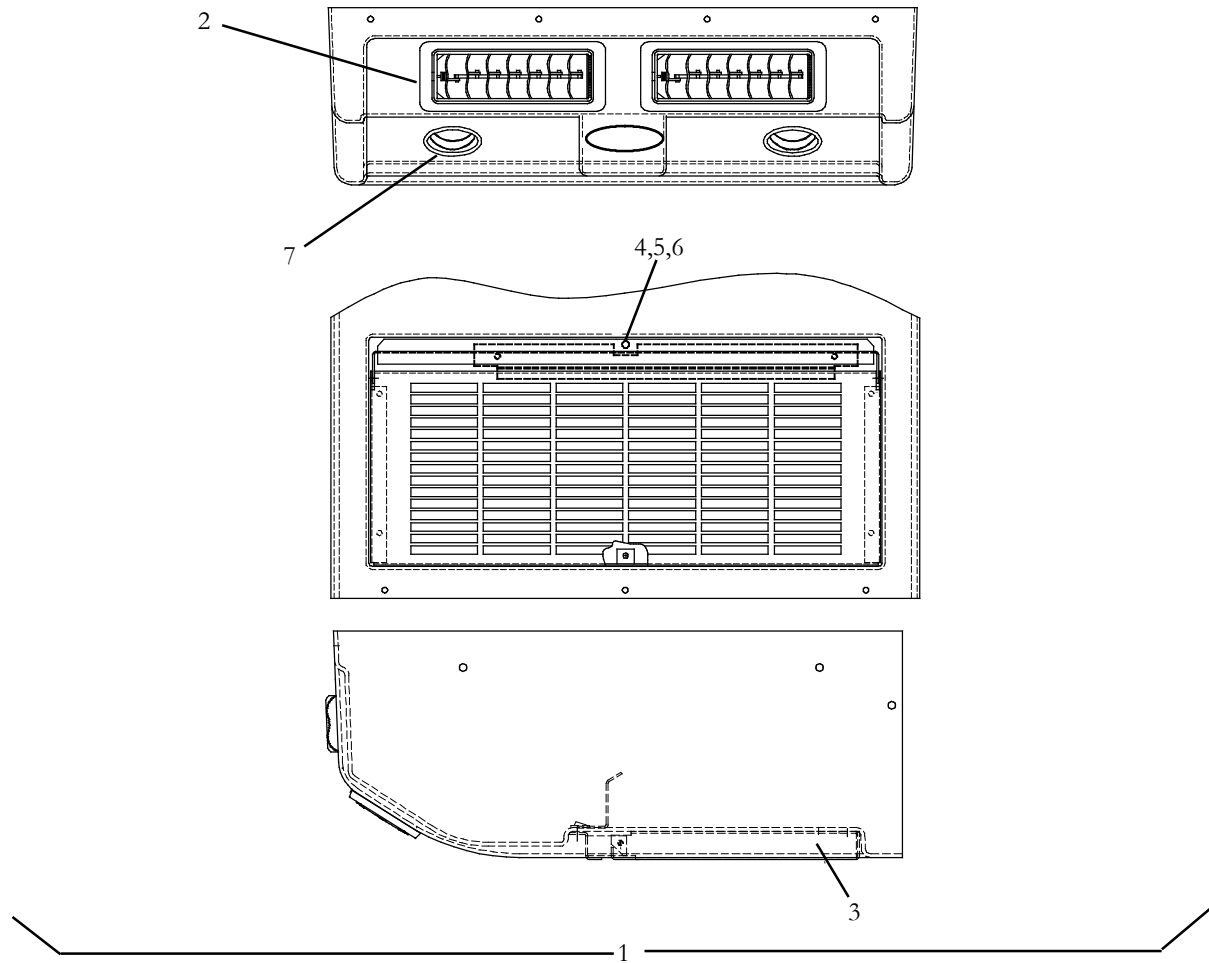
1.5.2 EM7 GEN-V, Wire Harness 22-62194-00: OPTION 7



Item	Part Number	Description	Qty
1	22-01140-02	Terminal Ring #10, 10 AWG	8
2	22-00121-27	Terminal Ring #10, 22/18 AWG	4



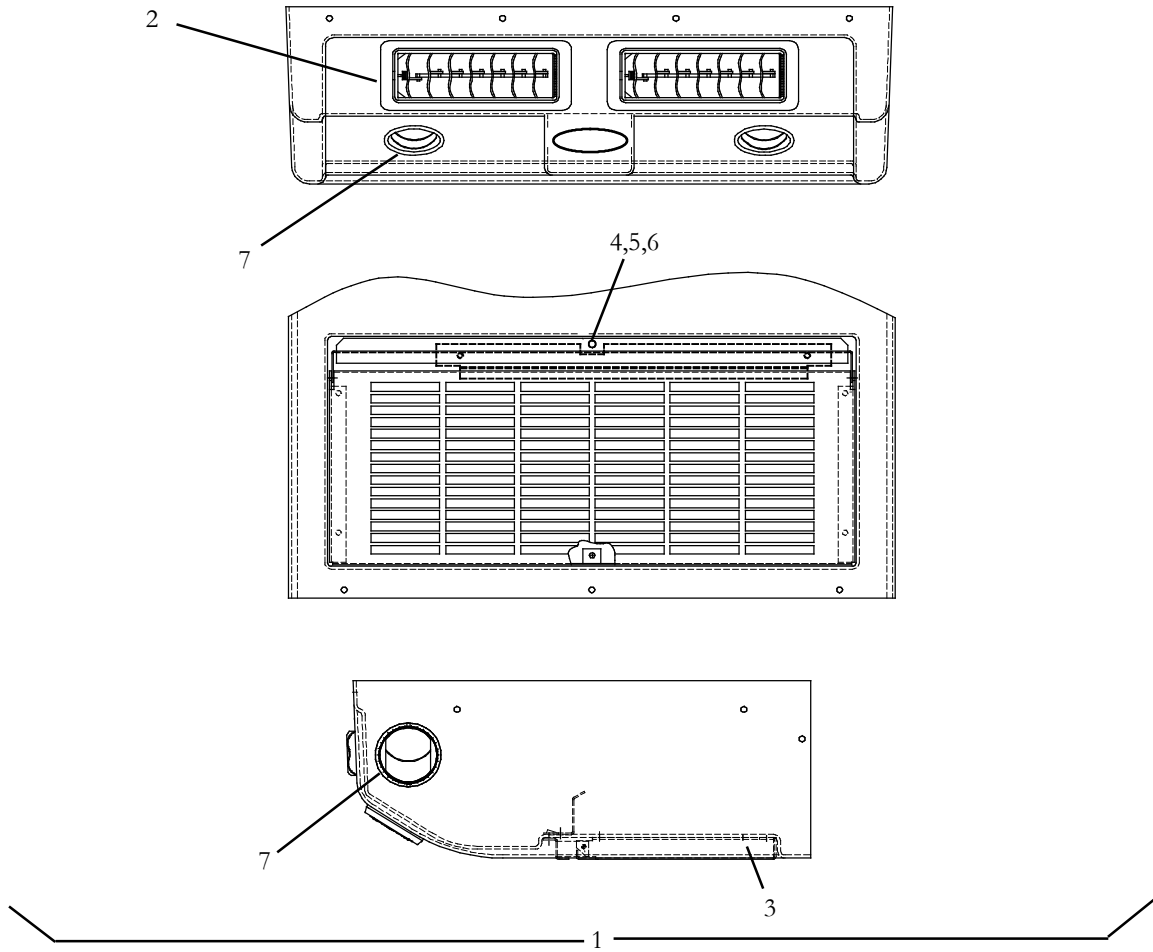
1.5.3 COVER ASSEMBLY, EM-7, GEN-V, REAR MOUNT : OPTION 1



Item	Part Number	Description	Qty
1	79-62046-01	Cover Assembly, EM-7, Complete, Rear Mount, White - Includes:	1
	79-62046-02	Cover Assembly, EM-7, Complete, Rear Mount, Gray - Includes:	1
2	58-62042-00Louver, Rectangle (8.0 X 3.0 Inches)	2
3	38-00573-03Filter, Air, EM-7, GenV (20.65 X 9 Inches)	1
4	34-62019-00Receptacle, 1/4 Turn	1
5	34-62020-00Stud, 1/4 Turn, .25 Grip Range	1
6	34-06169-01Washer, Retaining, .215 I. D.	1
7	58-62077-00Louver, Adjustable, 3.00 Inch (Round)	2



1.5.3 COVER ASSEMBLY, EM-7, GEN-V, SIDE MOUNT : OPTION 2



Item	Part Number	Description	Qty
1	79-62047-01	Cover Assembly, EM-7, Complete, Side Mount, White - Includes:	1
	79-62047-02	Cover Assembly, EM-7, Complete, Side Mount, Gray - Includes:	1
2	58-62042-00Louver, Rectangle (8.0 X 3.0 Inches)	2
3	38-00573-03Filter, Air, EM-7, GenV (20.65 X 9 Inches)	1
4	34-62019-00Receptacle, 1/4 Turn	1
5	34-62020-00Stud, 1/4 Turn, .25 Grip Range	1
6	34-06169-01Washer, Retaining, .215 I. D.	1
7	58-62077-00Louver, Adjustable, 3.00 Inch (Round)	4

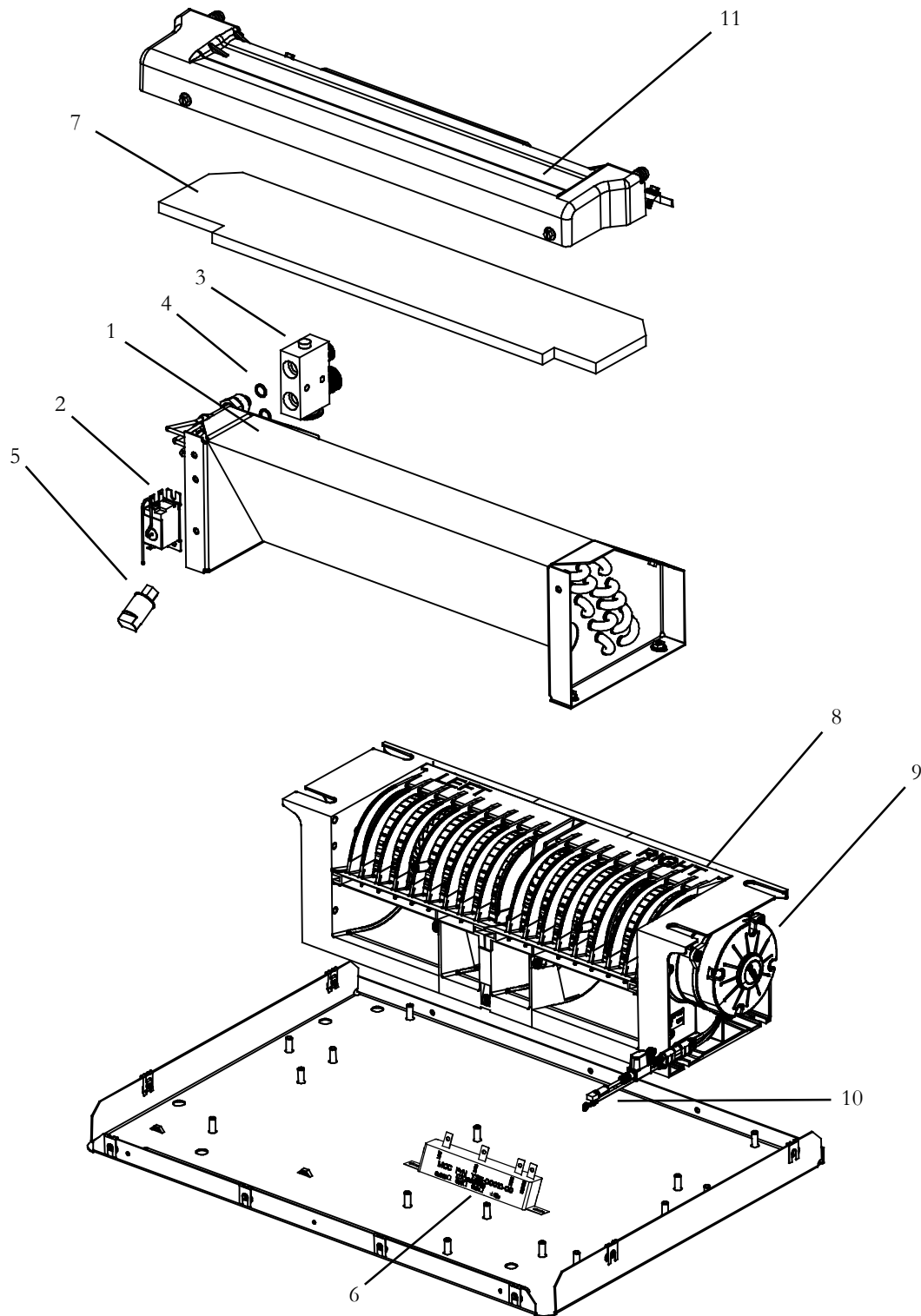


OPTION TABLE - EM7 - GEN VI

MODEL EM7 Y73-EM701	Cover Kit (See Section 1.5.5)	Chassis Kit (See Section 1.5.4)	Wire Harness (See Section 1.5.6)
-21	1	1	1
-22	1	1	1
-23	2	1	1
-24	2	1	1
-31	1	1	1
-32	1	1	1
-41	1	1	1
-42	1	1	1
-44	1	1	1
-45	1	1	1
-47	1	1	1
-51	2	1	1
-52	2	1	1
-61	2	1	1
-62	2	1	1
-80	1	1	2
-81	1	1	2
-82	1	1	2
-83	1	1	2
-85	1	1	1
-91	2	1	3
-95	1	1	1
-96	1	1	1



1.5.4 EM-7, GEN-VI, 3 SPEED CHASSIS KITS Y73-EM701-00 thru -02 (COMMON PARTS): OPTION 1



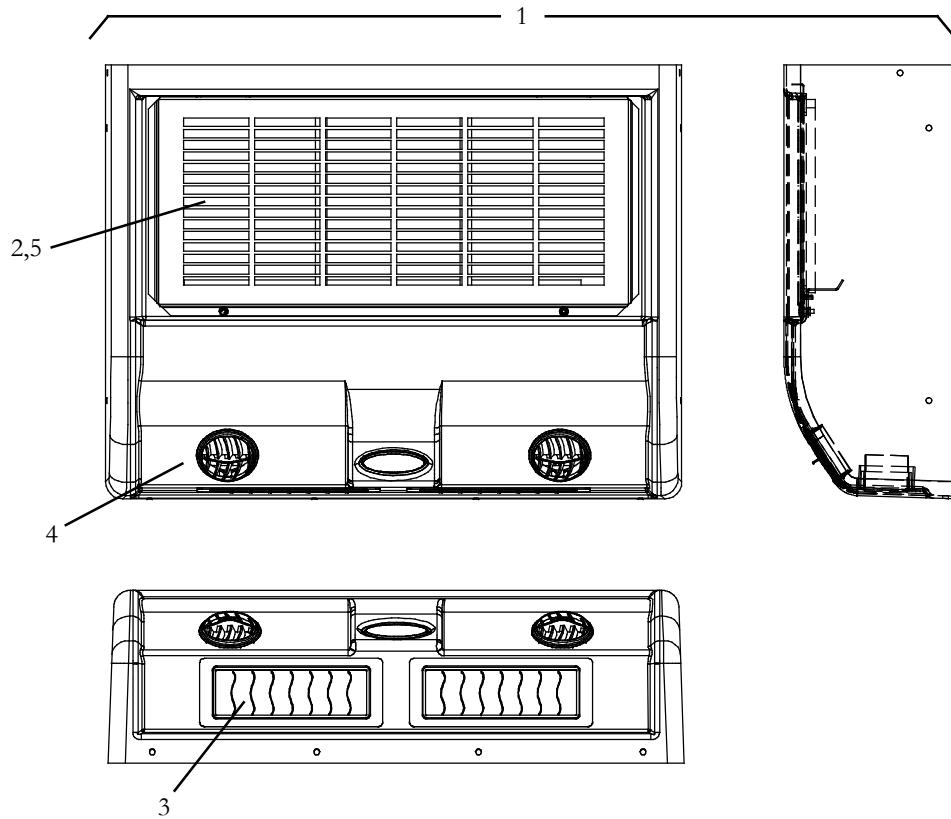
NOTE: See Option Table and Section 1.5.6 For Y73-EM701-00 thru -02 Wire Harnesses



1.5.4 EM-7, GEN-VI, 3 SPEED CHASSIS KITS Y73-EM701-00 thru -02 (COMMON PARTS) : OPTION 1- Cont:			
Item	Part Number	Description	Qty
1	08-01068-02	Coil Assembly, Evaporator	1
2	12-00685-00	Thermostat	1
3	14-00397-00	Expansion Valve	1
4	AC801-202	O-Rings, 1/2" HN BR	2
5	AC201-412	Pressure Switch, Low	1
6	22-62169-00	Resistor, 220W/.820 Ohm	1
7	42-62140-02	Baffle, Evaporator	1
8	54-00646-02	Blower Assembly, 12VDC, Includes:	1
9	54-00646-50	Blower Motor, 12VDC	1
10	54-00646-62	Harness, Blower Motor, 12VDC	1
11	58-62186-02	Drain Pan	1



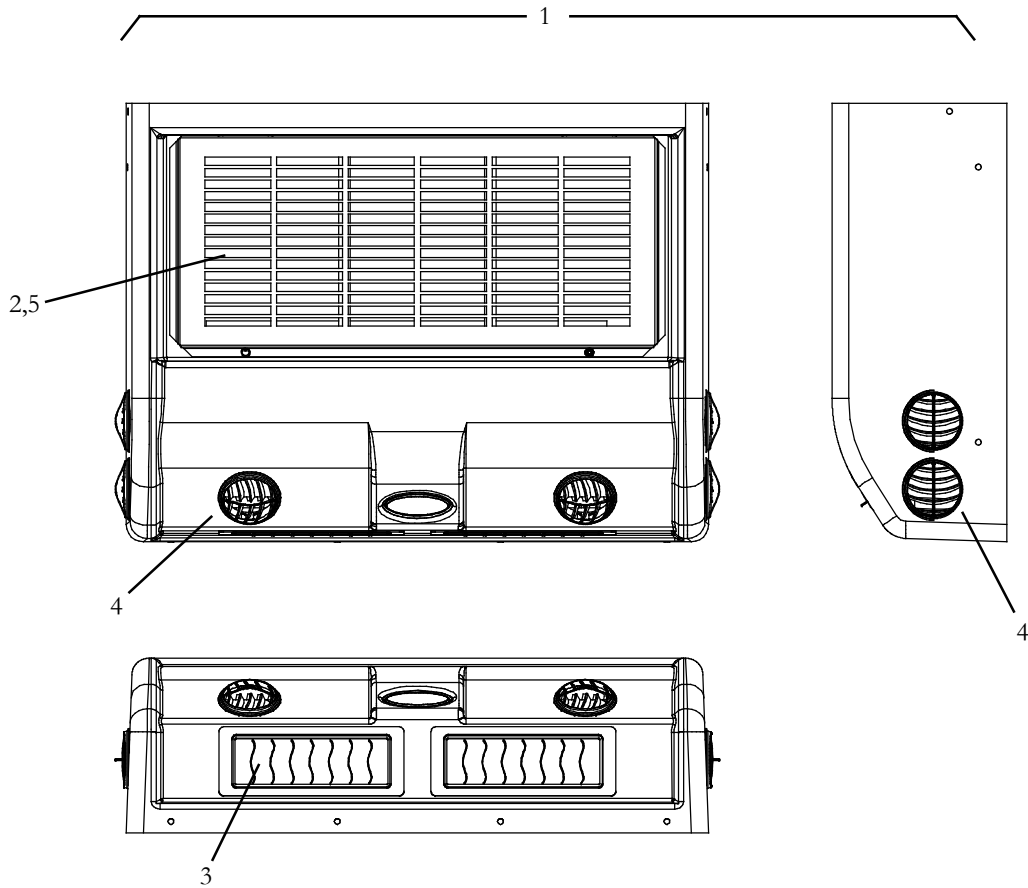
1.5.5 EM-7, GEN-VI, COVER ASSEMBLY, REAR MOUNT : OPTION 1
 (Used on MODELS Y19-EM701-21,-22,-31,-32,-41,-42,-44,-45,-47,-80,-81,-82,-83,-85,-95 & -96)



Item	Part Number	Description	Qty
1	Y28-00027-00	Cover Assembly, Gray, (used on -22,-32,-42,-44,-47,-82,-83,-85 & -96)	1
	Y28-00027-01	Cover Assembly, White, (used on -21,-31,-41,-45,-80,-81 & -95)	1
2	38-00573-03	Filter, Air	1
3	58-62042-00	Diffuser, Air, Adjustable Rectangular	4
4	Y23-00002-00	Louver, 2.5" Fixed Vane	2
5	Y24-00110-00	Grille, Return Air	1



1.5.5 EM-7, GEN-VI, COVER ASSEMBLY, SIDE MOUNT: OPTION 2
(Used on MODELS Y19-EM701-23,-24,-51,-52,-61,-62, & -91)

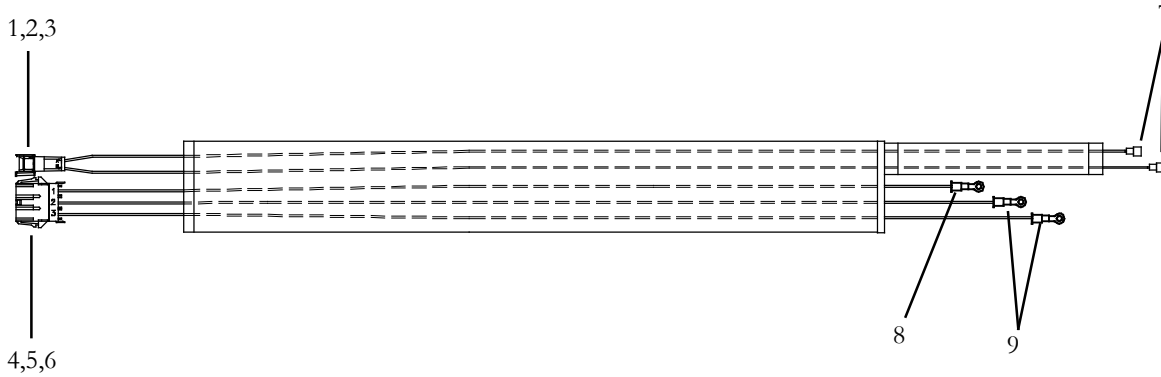


Item	Part Number	Description	Qty
1	Y28-00027-02	Cover Assembly, Gray, (used on -23,-52,-62 & -91))	1
	Y28-00027-03	Cover Assembly, White, (used on -24,-51 & -61)	1
2	38-00573-03	Filter, Air	1
3	58-62042-00	Diffuser, Air, Adjustable Rectangular	4
4	Y23-00002-00	Louver, 2.5" Fixed Vane	6
5	Y24-00110-00	Grille, Return Air	1



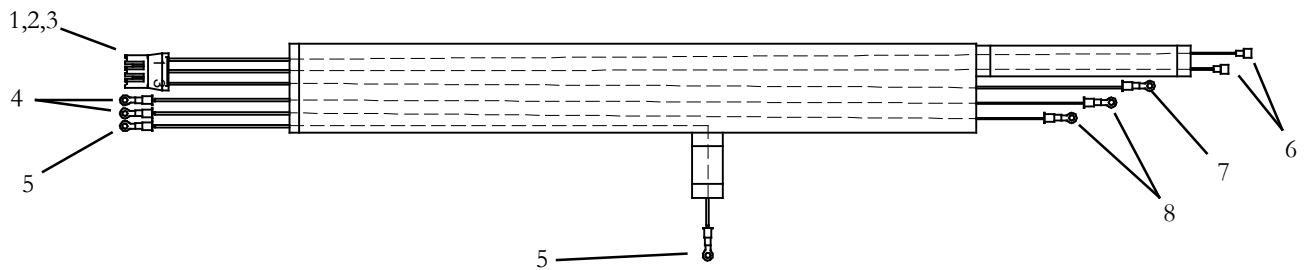
NOTE: Complete Wire Harnesses are Non-Stock Items. Replacement Components are Listed and can be cross referenced to supplier part number in manual T-375PL.

1.5.6 EM7 GEN-VI, Wire Harness 22-62303-00: OPTION 1



Item	Part Number	Description	Qty
1	22-50099-37	Connector, Male, MP 280 Series, Unsealed	1
2	22-50099-37A	Terminal, Male, 16/18 AWG	2
3	22-50099-37D	Lock, Secondary	1
4	22-50099-32	Connector, Plug Housing, 3 Way, Molex	1
5	22-50099-32A	Terminal, Male, Molex 10/12 AWG	2
6	22-50099-32B	Terminal, Male, Molex, 8 AWG	1
7	22-02245-02	Terminal, Female, Fully Insulated, 22/18 AWG	2
8	22-02245-01	Terminal, Ring, #10 - 8 AWG	1
9	22-01140-02	Terminal, Ring, #10 - 12/10 AWG	2

1.5.6 EM7 GEN-VI, Wire Harness 22-62303-01: OPTION 2

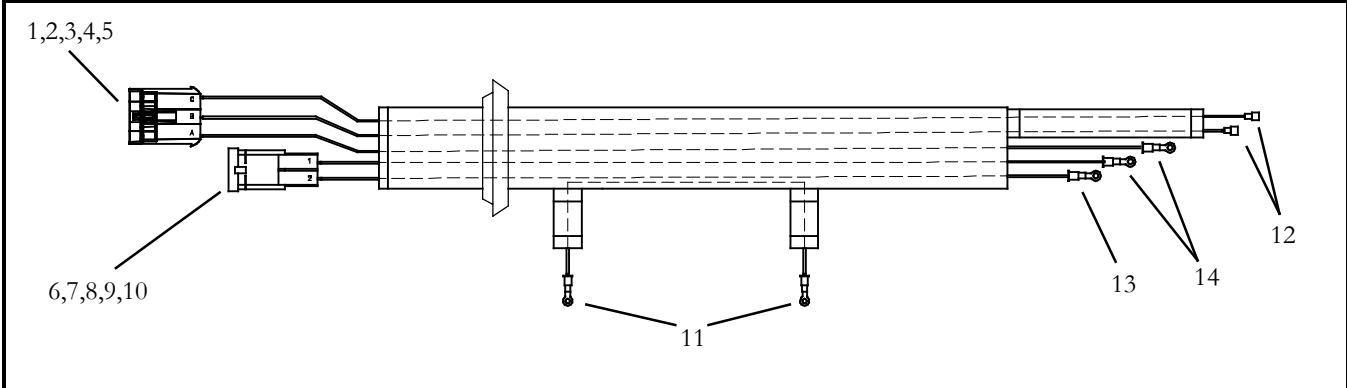


Item	Part Number	Description	Qty
1	Y31-00007-00	Connector, Female, Molex, 3 Way	1
2	Y31-00007-50	Terminal, Female, Molex, 18-20 AWG	2
3	Y31-00007-51	Terminal, Female, Molex, 14-16 AWG	1
4	22-01140-04	Terminal, Ring 3/8", 12/10 AWG	2
5	22-00872-03	Terminal, Ring 5/16", 8 AWG	2
6	22-02245-02	Terminal, Female, Fully Insulated, 22/18 AWG	2
7	22-01139-02	Terminal, Ring, #10 - 14/16 AWG	1
8	22-01140-02	Terminal, Ring, #10 - 12/10 AWG	2



NOTE: Complete Wire Harnesses are Non-Stock Items. Replacement Components are Listed and can be cross referenced to supplier part number in manual T-375PL.

1.5.6 EM7 GEN-VI, Wire Harness 22-62303-02: OPTION 3



Item	Part Number	Description	Qty
1	22-50078-86	Connector, Male, M/P 630, 3 Way	1
2	22-50078-49A	Terminal, Male, 18 AWG	2
3	22-50078-49C	Terminal, Male, 12 AWG	1
4	22-50078-86B	Cable Seal	3
5	22-50078-86A	Lock, Secondary	1
6	22-50098-67	Connector, Male, Tyco, 2 Way	1
7	22-50098-67B	Terminal, Male, 8 AWG	1
8	22-50098-67A	Terminal, Male, 10/12 AWG	1
9	22-50098-67C	Cable Seal, 10/12 AWG	1
10	22-50098-67D	Cable Seal, 8 AWG	1
11	22-00872-03	Terminal, Ring 5/16", 8 AWG	2
12	22-02245-02	Terminal, Female, Fully Insulated, 22/18 AWG	1
13	22-00872-01	Terminal, Ring, #10 - 8 AWG	1
14	22-01140-02	Terminal, Ring, #10 - 12/10 AWG	2



SECTION 1.6 EM-9 EVAPORATORS

**OPTION TABLE - EM9 - GEN IV,
12 VDC - 3 Speed**

MODEL EM9 Gen IV 77-62180	Cover Kit <small>(see Section 1.6.3)</small>	Chassis Kit <small>(see Section 1.6.1)</small>	Wire Harness <small>(see Section 1.6.2)</small>
-00	-	1	1
-01	-	1	1
-10	1	1	2
-11	2	1	2
-12	1	1	2
-13	2	1	2
-20	2	1	2
-30	-	1	2
-31	-	1	2
-40	1	1	2
-41	3	1	2
-42	2	1	2
-90	-	1	2
-91	-	1	2

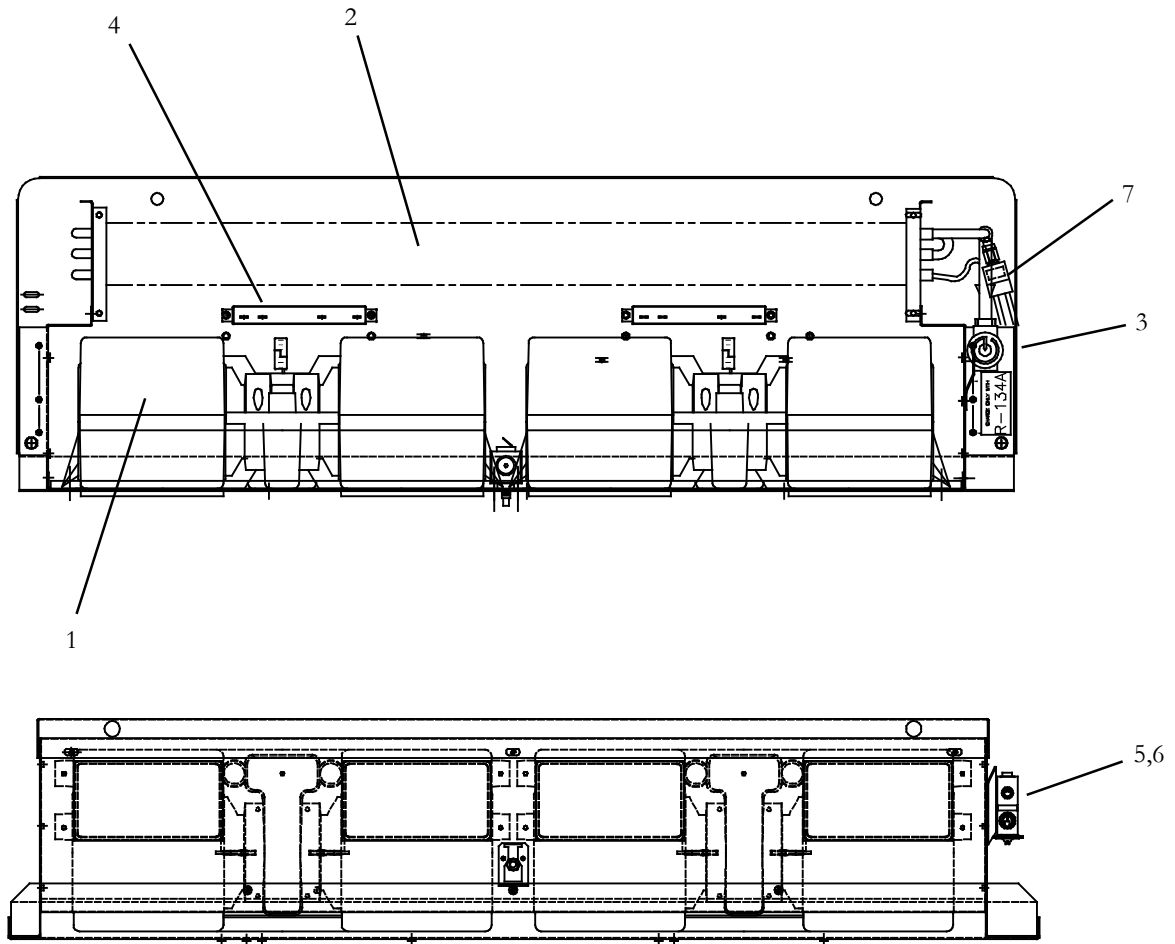
**OPTION TABLE - EM9 - GEN IV
24 VDC - 3 Speed**

MODEL EM9 Gen IV 77-62180	Cover Kit <small>(see Section 1.6.3)</small>	Chassis Kit <small>(see Section 1.6.1)</small>	Wire Harness <small>(see Section 1.6.2)</small>
-05	-	1	1
-06	-	1	1
-15	1	1	1
-16	2	1	1
-35	-	1	1
-36	-	1	1
-95	-	1	2
-96	-	1	2

NOTE: Units marked with a dash in matrix “Cover Kit” are supplied with evaporator grille and air filter only.



1.6.1 EVAPORATOR, EM-9, GEN IV, SIDE MOUNT, DUCTED (Common Parts): OPTION 1

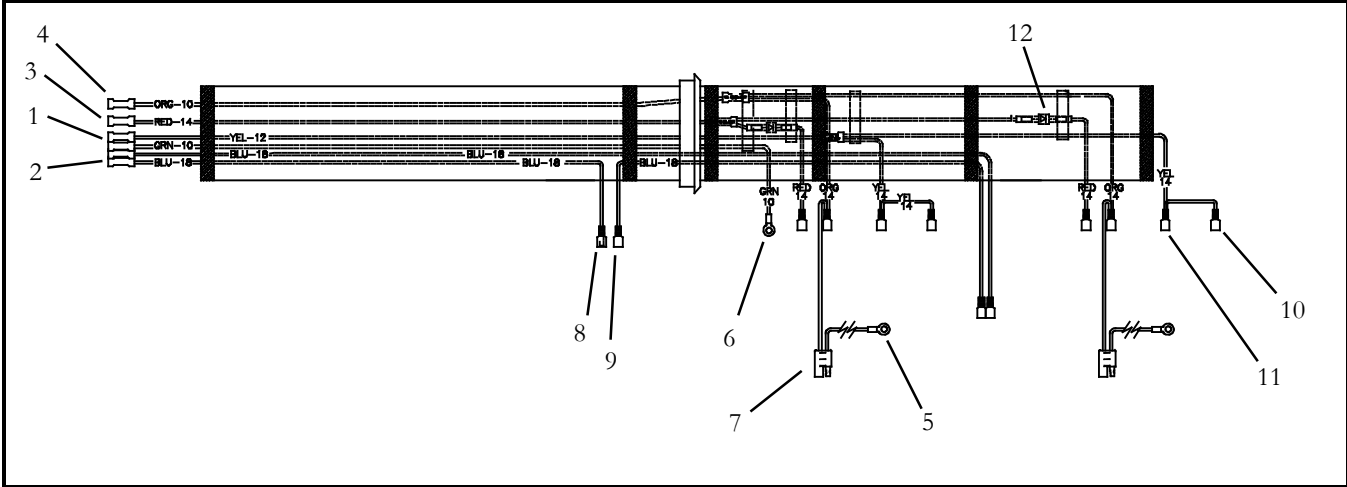


Item	Part Number	Description	Qty
1	AC401-232Blower Assembly, 12 VDC	2
	AC401-233Blower Assembly, 24 VDC	2
2	08-62066-00	Coil, Evaporator, EM-9, 3 Row, Without Heat	1
	08-62065-00	Coil, Evaporator/Heater, EM-9, 3/1 Row, With Heat	1
3	AC201-501	Thermostat, Freeze-Up	1
4	76-62019-00	Resistor Kit, (1.8 Ohm, 4 Prong)	2
5	14-00397-00	Valve, Thermal Expansion, Block	1
6	AC801-202	O-Ring, 1/2 Inch HNBR	2
7	AC201-412	Switch, Low Pressure	1
8	AC801-416	Gasket, Foam, 1/8 X 12-3/4 X 300 Ft.	1



NOTE: Complete Wire Harnesses are Non-Stock Items. Replacement Components are Listed and can be cross referenced to supplier part number in manual T-375PL.

1.6.2 EM9 GEN-IV, Wire Harness 22-62226-00: OPTION 1

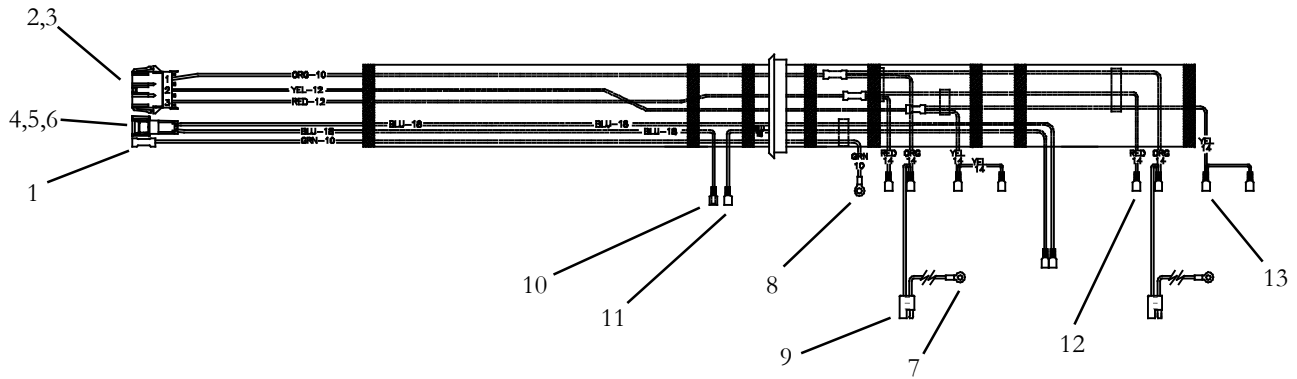


Item	Part Number	Description	Qty
1	22-00066-03	Terminal, Butt Splice, 10/12 AWG	2
2	22-00066-01	Terminal, Butt Splice, 22/18 AWG	2
3	N/A	Terminal, Butt Splice, Step Down, 14/16 AWG to 10/12 AWG	1
4	N/A	Terminal, Butt Splice, Step Down, 8 AWG to 10/12 AWG	1
5	N/A	Terminal Ring, #8 - 14/16 AWG	2
6	N/A	Terminal Ring, #8 - 10/12 AWG	1
7	AC201-905	Connector Assembly	2
8	22-01502-00	Terminal, Male, Push-on, Insulated, 1/4" - 22/18 AWG	1
9	22-02245-02	Terminal, Female, Push-on, Insulated, 1/4" - 22/18 AWG	3
10	N/A	Terminal, Female, Push-on, Insulated, 1/4" - 16/14 AWG	4
11	31-1247	Terminal, Female, Push-on, Insulated, 1/4" - 12/10 AWG	4
12	AC201-600	Diode, 6 Amp, 250V	2



NOTE: Complete Wire Harnesses are Non-Stock Items. Replacement Components are Listed and can be cross referenced to supplier part number in manual T-375PL.

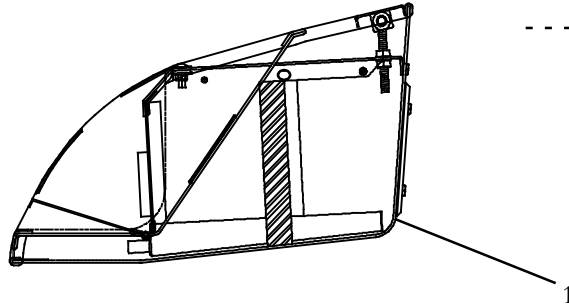
1.6.2 EM9 GEN-IV, Wire Harness 22-62279-00: OPTION 2



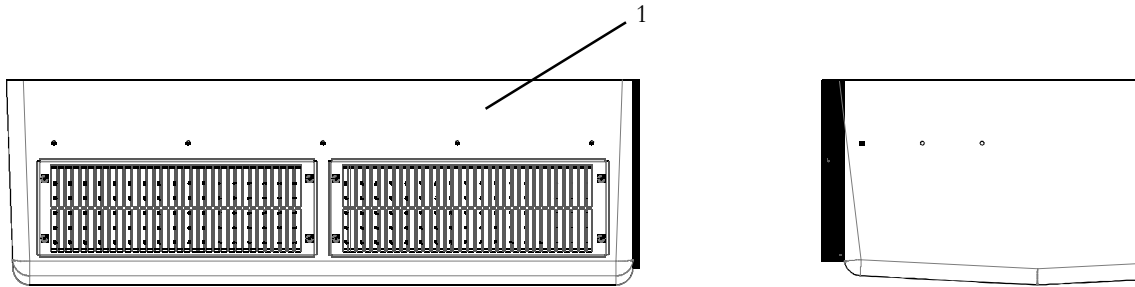
Item	Part Number	Description	Qty
1	22-00066-03	Terminal, Butt Splice, 10/12 AWG	2
2	22-50099-32	Connector, Plug Housing, 3 Way	1
3	22-50099-32A	Terminal, Male, 10/12 AWG	3
4	22-50099-37	Connector, Male, Unsealed, Metri-Pack 280	1
5	22-50099-37A	Terminal, Male, 16/18 AWG	2
6	22-50099-37D	TPA	1
7	N/A	Terminal Ring, #8 - 14/16 AWG	2
8	N/A	Terminal Ring, #8 - 10/12 AWG	1
9	AC201-905	Connector Assembly	2
10	22-01502-00	Terminal, Male, Push-on, Insulated, 1/4" - 22/18 AWG	1
11	22-02245-02	Terminal, Female, Push-on, Insulated, 1/4" - 22/18 AWG	3
12	N/A	Terminal, Female, Push-on, Insulated, 1/4" - 16/14 AWG	4
13	31-1247	Terminal, Female, Push-on, Insulated, 1/4" - 12/10 AWG	4



1.6.3 EVAPORATOR, EM-9, GEN 4, SIDE MOUNT, DUCTED , COVERS



OPTIONS 1 & 2



OPTION 3

Item	Part Number	Description	Qty
1	N/A	Cover Assembly, White (Option 1)	1
	AC021-366	Cover Assembly, Gray (Option 2)	1
	Y28-00007-00	Cover Assembly, Gray, TBB (Option 3)	1
2	AC021-190-1	Grille, Evaporator	2
	AC021-190-2	Grille, Evaporator, Gray	2
3	38-00558-00	Filter, Air	2



SECTION 1.7 EM-14 EVAPORATORS

**OPTION TABLE - EM14 - GEN IV,
12 VDC - 3 Speed**

MODEL EM14 Gen IV 77-62181	Cover Kit <small>(see Section 1.7.3)</small>	Chassis Kit <small>(see Section 1.7.1)</small>	Wire Harness <small>(see Section 1.7.2)</small>
-00	-	1	1
-01	-	1	1
-02	-	1	1
-03	-	1	1
-10	1 & 2	1	1
-11	1 & 2	1	1
-12	1 & 2	1	2
-13	1 & 2	1	2
-20	1 & 2	1	1
-30	1 & 2	1	1
-31	1 & 2	1	1
-32	1 & 2	1	2
-50	1 & 3	1	1
-51	1 & 3	1	1
-53	1 & 3	1	2
-70	1 & 2	1	1
-80	-	1	1

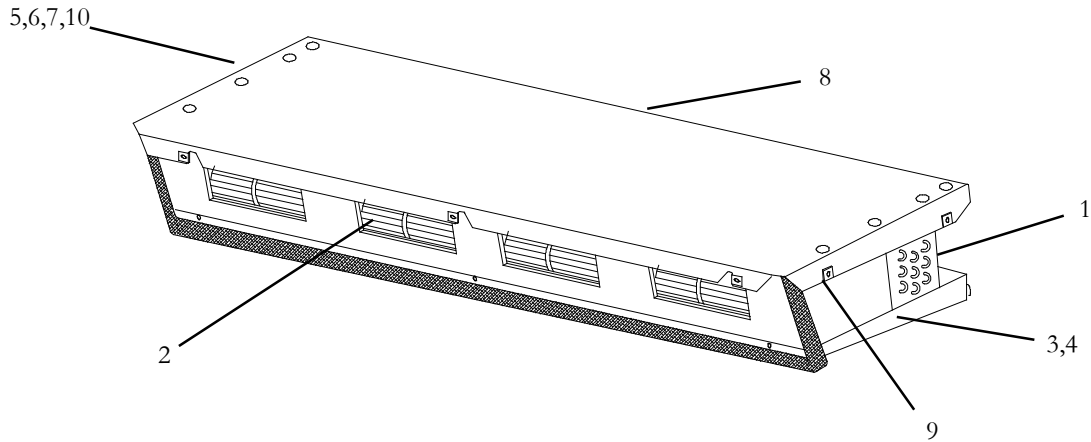
**OPTION TABLE - EM14 - GEN IV
24 VDC - 3 Speed**

MODEL EM14 Gen IV 77-62181	Cover Kit <small>(see Section 1.7.3)</small>	Chassis Kit <small>(see Section 1.7.1)</small>	Wire Harness <small>(see Section 1.7.2)</small>
-05	-	1	1
-06	-	1	1
-07	-	1	1
-15	1 & 2	1	1
-16	1 & 2	1	1



SECTION 1.7 EM-14 EVAPORATORS

1.7.1 EVAPORATOR, EM-14, GEN 4 SERIES, FREE BLOW , REAR & SIDE MOUNT (Common Parts): OPTION 1

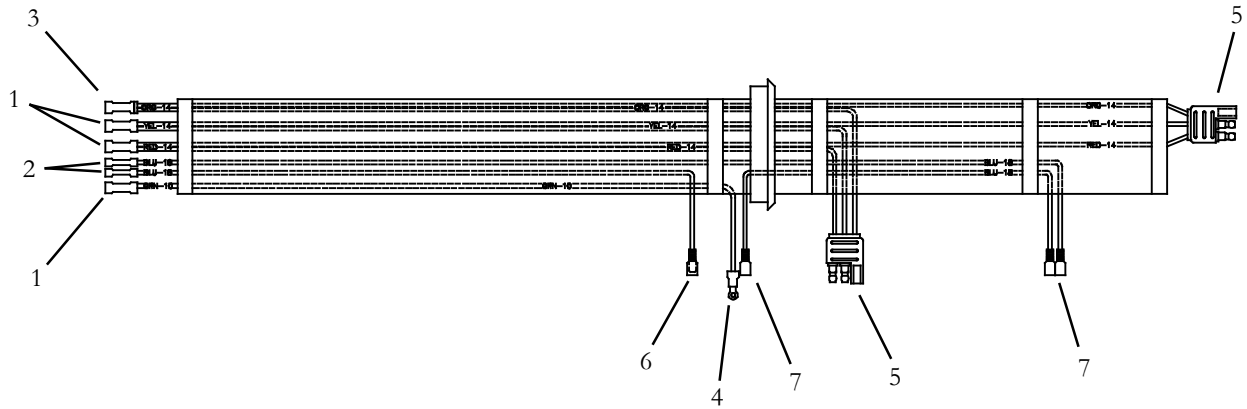


Item	Part Number	Description	Qty
1	08-62064-00	Coil Assembly, With Low Pressure Switch Connection	1
	08-62063-00	Coil Assembly, With Heat, With Low Pressure Switch Connection	1
2	AC401-203	Blower Assembly, 12 VDC	2
	AC401-204	Blower Assembly, 24 VDC	2
3	79-62129-00	Drain Pan, Assembly, (Foamed)	1
4	AC022-746	Baffle, Foam, EM-14 Drain Pan	1
5	AC201-501	Thermostat, Freeze-Up	1
6	14-00397-00	Valve, Thermal Expansion, R134a	1
7	AC801-202	O-Ring, 1/2 Inch	2
8	AC801-461	Filter, return Air, 28-1/2 X 5 Inches	1
9	AC701-123	Tinnerman Clip, Hi-Torque #10AB	7
10	AC201-412	Switch, Low Pressure	1



NOTE: Complete Wire Harnesses are Non-Stock Items. Replacement Components are Listed and can be cross referenced to supplier part number in manual T-375PL.

1.7.2 EM14, Wire Harness 22-62223-00: OPTION 1

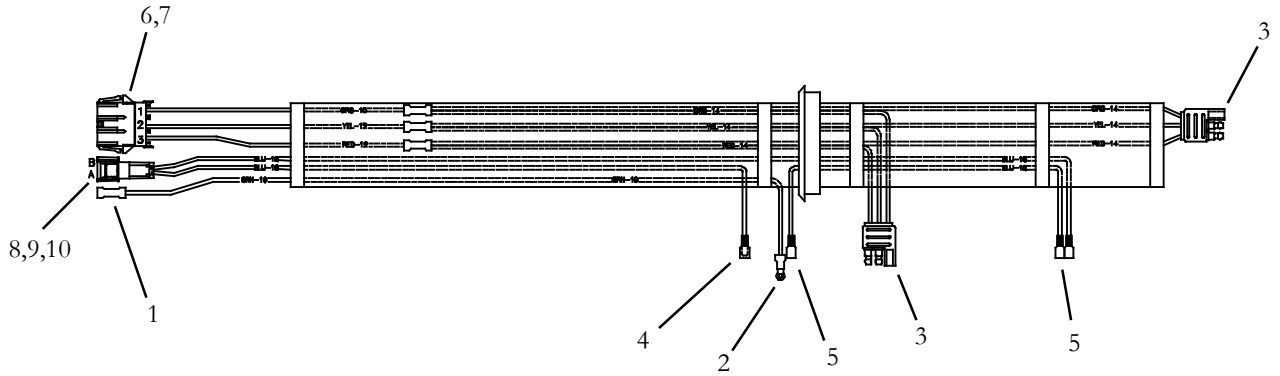


Item	Part Number	Description	Qty
1	22-00066-03	Terminal, Butt Splice, 10/12 AWG	3
2	22-00066-01	Terminal, Butt Splice, 22/18 AWG	2
3	N/A	Terminal, Butt Splice, Step Down, 8 AWG to 10/12 AWG	1
4	22-01140-02	Terminal Ring, #10 - 10/12 AWG	1
5	22-62002-00	Connector Assembly	2
6	22-01502-00	Terminal, Male, Push-on, Insulated, 1/4" - 22/18 AWG	1
7	22-01258-01	Terminal, Female, Push-on, Insulated, 1/4" - 22/18 AWG	3



NOTE: Complete Wire Harnesses are Non-Stock Items. Replacement Components are Listed and can be cross referenced to supplier part number in manual T-375PL.

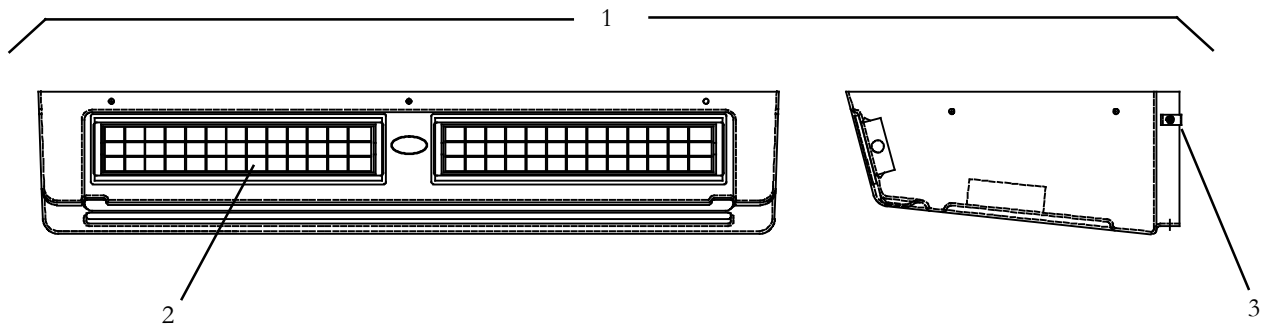
1.7.2 EM14, Wire Harness 22-62285-00: OPTION 2



Item	Part Number	Description	Qty
1	22-00066-03	Terminal, Butt Splice, 10/12 AWG	1
2	22-01140-02	Terminal Ring, #10 - 10/12 AWG	1
3	22-62002-00	Connector Assembly	2
4	22-01502-00	Terminal, Male, Push-on, Insulated, 1/4" - 22/18 AWG	1
5	22-01258-01	Terminal, Female, Push-on, Insulated, 1/4" - 22/18 AWG	3
6	22-50099-32	Connector, Plug Housing 3-Way, Molex	1
7	22-50099-32A	Terminal, Male 10/12 AWG, Molex	3
8	22-50099-37	Connector, Male Unsealed, M/P 280 Series	1
9	22-50099-37A	Terminal, Male, 16/18 AWG	2
10	22-50099-37D	TPA	1

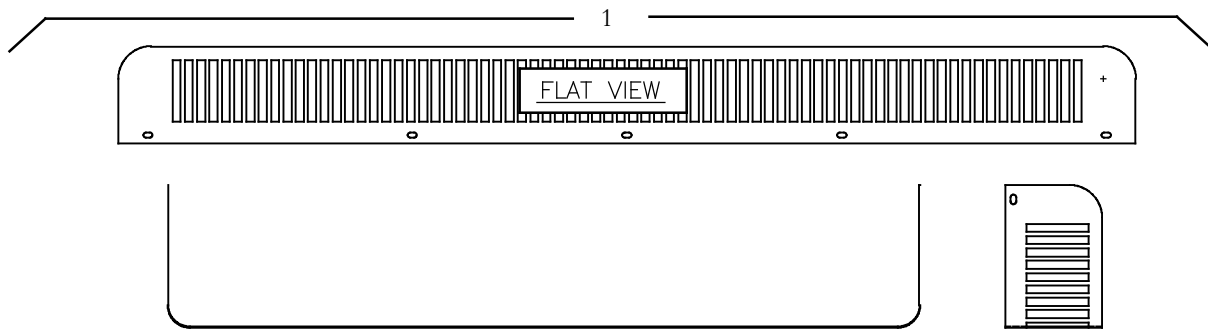


1.7.3 EVAPORATOR, EM-14, FREE BLOW, REAR & SIDE MOUNT COVER ASSEMBLY, OPTION 1



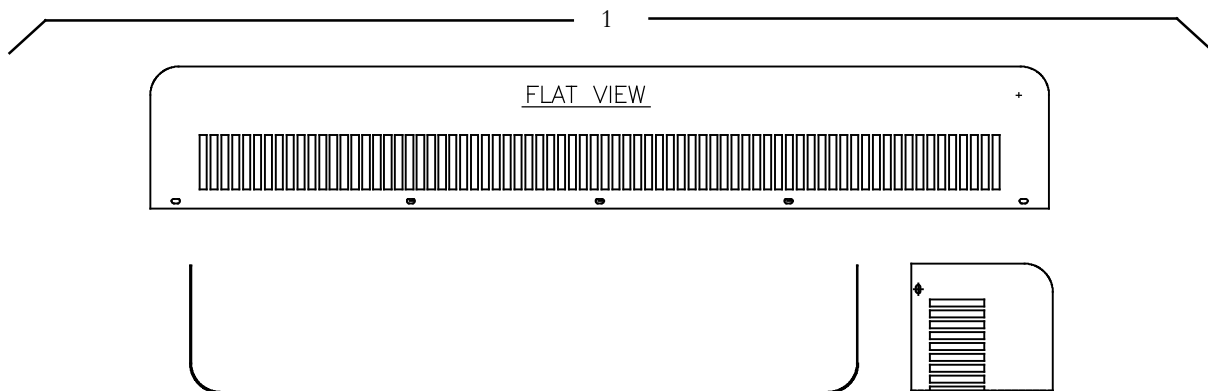
Item	Part Number	Description	Qty
1	N/A	Cover Assembly, EM14, White, Includes:	1
	79-62070-01	Cover Assembly, EM14, Gray, Includes	1
2	AC401-320	Diffuser, Air	2
3	AC701-106	Clip, Tinnerman, 1/4" - 20	2

1.7.3 EVAPORATOR, EM-14, FREE BLOW, REAR MOUNT GRILLE, RETURN AIR, OPTION 2



Item	Part Number	Description	Qty
1	AC022-254	Grill, Return Air, Rear Mount	1

1.7.3 EVAPORATOR, EM-14, FREE BLOW, SIDE MOUNT GRILLE, RETURN AIR, OPTION 3



Item	Part Number	Description	Qty
1	AC022-296	Grill, Return Air, Side Mount	1



SECTION 1.8 EM-17 EVAPORATORS

**OPTION TABLE - EM17 - GEN IV,
24 VDC - Manual Control**

MODEL EM17 Gen IV 77-62000	Chassis Kit <small>(see Section 1.8.1)</small>	Wire Harness <small>(see Section NO TAG)</small>
-10	3	2
-20	1	2
-22	1	2
-24	1	2
-30	4	1

**OPTION TABLE - EM17 - GEN IV
24 VDC - Enviromate**

MODEL EM17 Gen IV Y19-E1701	Chassis Kit <small>(see Section 1.8.1)</small>	Wire Harness <small>(see Section NO TAG)</small>
-00	3	2

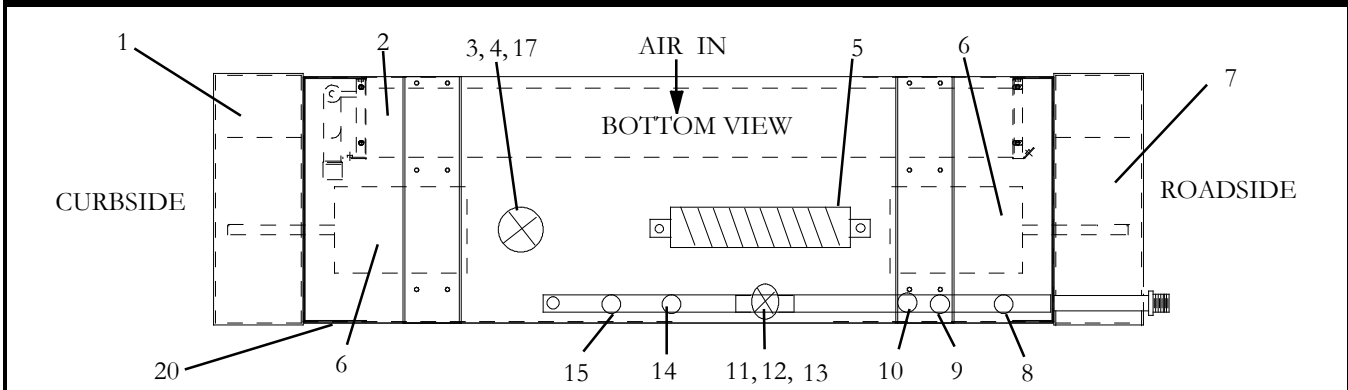
**OPTION TABLE - EM17 - GEN IV
24 VDC - Enviromate**

MODEL EM17 Gen IV Y19-E1702	Chassis Kit <small>(see Section 1.8.1)</small>	Wire Harness <small>(see Section NO TAG)</small>
-00	4	1



SECTION 1.8 EM-17 EVAPORATORS

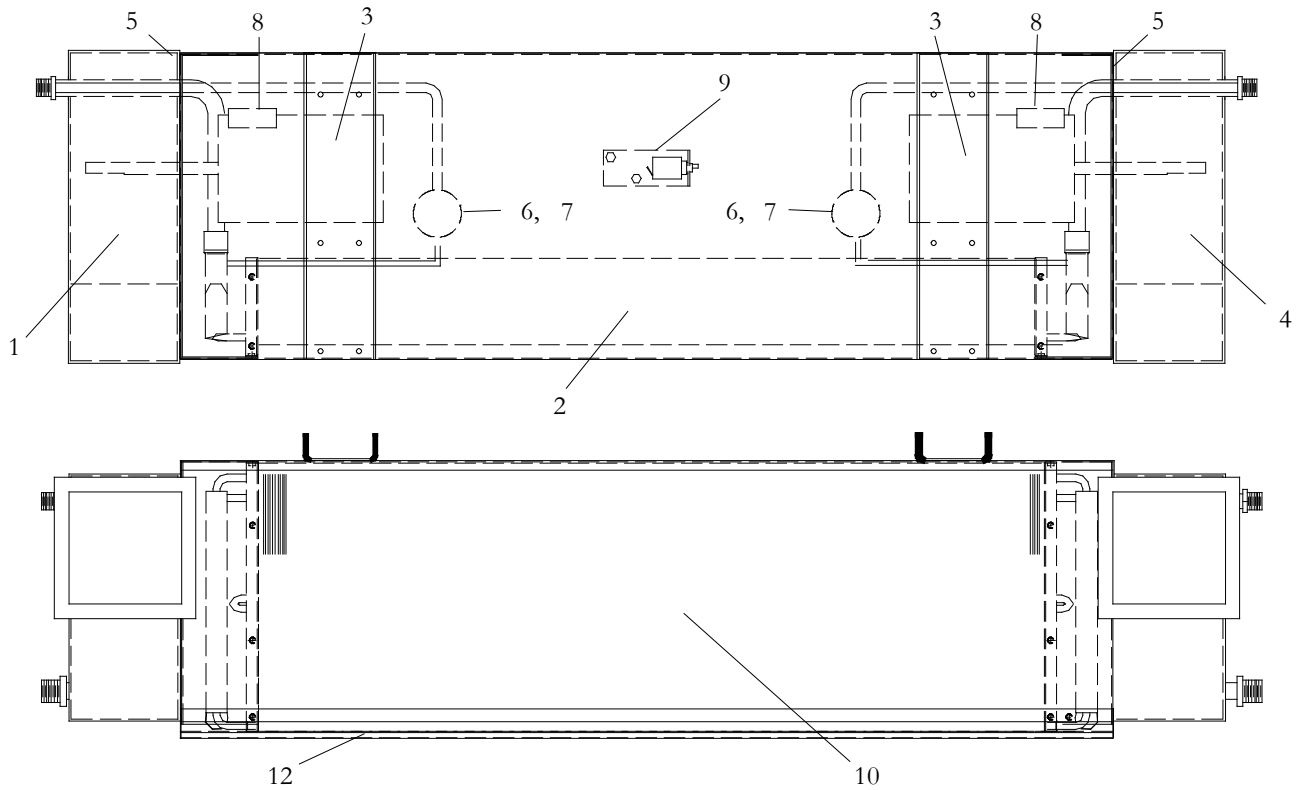
1.8.1 EVAPORATOR, EM-17, SINGLE LOOP, GEN 4 SERIES : OPTION 1



Item	Part Number	Description	Qty
1	AC401-215	Blower Wheel, (Roadside)	1
2	21-2041	Coil Assembly, Evaporator, Cool Only (Was 08-62006-00)	1
	N/A	Coil Assembly, Evaporator, With Heat (Was 08-62023-00)	1
3	66U1-1214-5	Flange, Body, (TXV)	1
4	14-01104-39	Valve, Thermal Expansion, R134a	1
5	22-01584-00	Resistor, With Bracket, (420 Watts)	1
6	AC501-122	Motor, Evaporator, (Lesson) - Includes:	2
N/S	22-50091-00Brush, Motor	2
N/S	04-50023-00Bearing, Motor	2
7	AC401-220	Blower Wheel, (Curbside)	1
8	12-00299-02	Switch, Pressure, UPS3	1
9	12-00299-18	Switch, Pressure, CFS1	1
10	12-00299-09	Switch, Pressure, CFS2	1
11	AC101-422	Valve, Solenoid, 5/8 Inch, Less Coil	1
12	22-50030-00	Coil, Solenoid, 24 VDC	1
13	14-50047-00	Repair Kit For Solenoid Valve AC101-422	1
14	12-00334-03	Switch, Pressure, UPS1. (R134a)	1
15	12-00334-02	Switch, Pressure, UPS2, (R134a)	1
16	AC801-443	Filter, Return Air (41.5" X 12.5")	1
17	AC021-344	Equalizer Tube, TXV	1
18	40-00491-15	Fitting, ORS, #10 X 2.11 X 5/8 Tube	1
19	40-00491-01	Fitting, ORS, #20 X 1.70 X 1-1/8 Tube	1
20	AC022-314	Baffle, Drain Pan	1



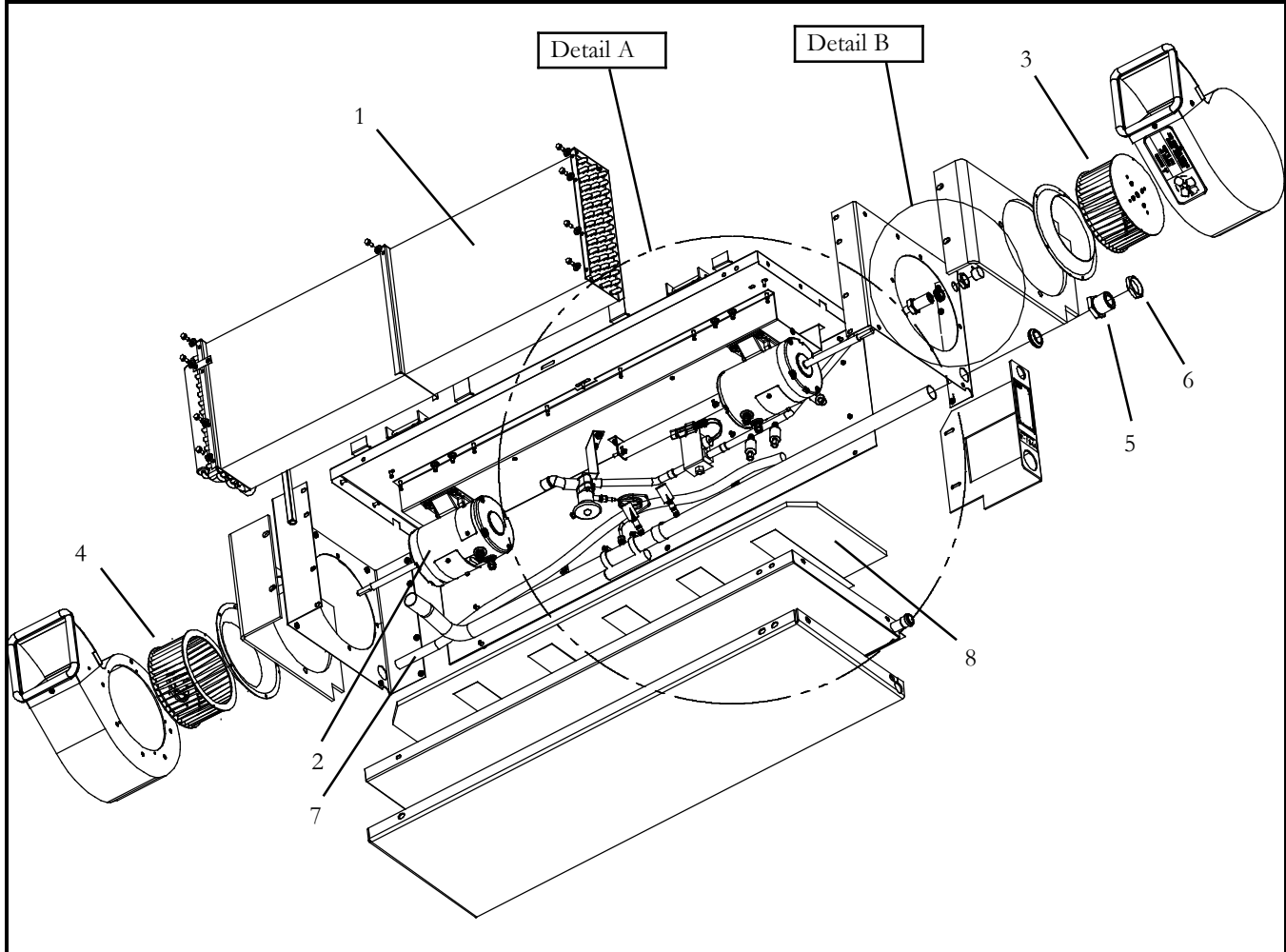
1.8.1 EVAPORATOR, EM-17, DUAL LOOP, GEN 4 SERIES : OPTION 2



Item	Part Number	Description	Qty
1	AC401-215	Blower Wheel, Right, (Roadside)	1
2	N/A	Coil Assembly, Split	1
3	AC501-122	Motor, Evaporator, (Leeson) - Includes:	2
N/S	22-50091-00Brush, Motor	2
N/S	04-50023-00Bearing, Motor	2
4	AC401-220	Blower Wheel, (CurbSide),	1
5	AC401-217	Venturi Ring	2
6	66U1-1214-5	Flange Body, 1/2 ODF X 5/8 ODF, (TXV)	2
7	14-01104-37	Valve, Thermal Expansion, 2.5 Ton, No-MOP	2
8	12-00299-01	Switch, Pressure, Low	2
9	AC201-501	Thermostat, Freeze-Up, Dual Sensor	1
10	AC801-443	Filter, Return Air (41.5 X 12.5 Inches)	1
11	56-62123-00	Tube, Equalizer	1
12	AC022-314	Baffle, Drain Pan	1



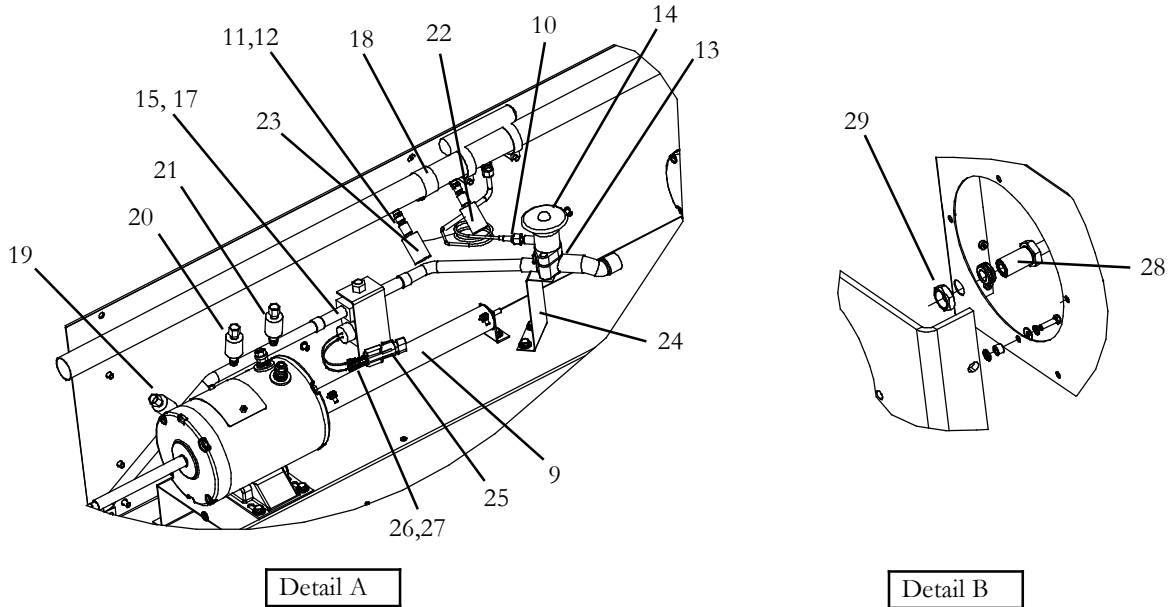
1.8.1 EVAPORATOR, EM-17, CHASSIS KITS 77-62000-11 & Y53-E1701-00: OPTION 3



Item	Part Number	Description	Qty
1	21-2041	Coil, Evaporator, (Was 08-62006-00)	1
2	AC501-122	Motor, Evaporator, (Leeson) - Includes:	2
N/S	22-50091-00Brush, Motor	2
N/S	04-50023-00Bearing, Motor	2
3	AC401-215	Blower Wheel, Roadside	1
4	AC401-220	Blower Wheel, Curbside	1
5	40-00491-01	Fitting, 1-11/16 ORS	1
6	34-06088-01	Nut, Hex, 1-5/8-12 ORS	1
7	22-62035-00	Wire Harness	NSI
8	AC022-314	Baffle, Drain Pan	1
N/S	AC801-443	Filter, Return Air	1



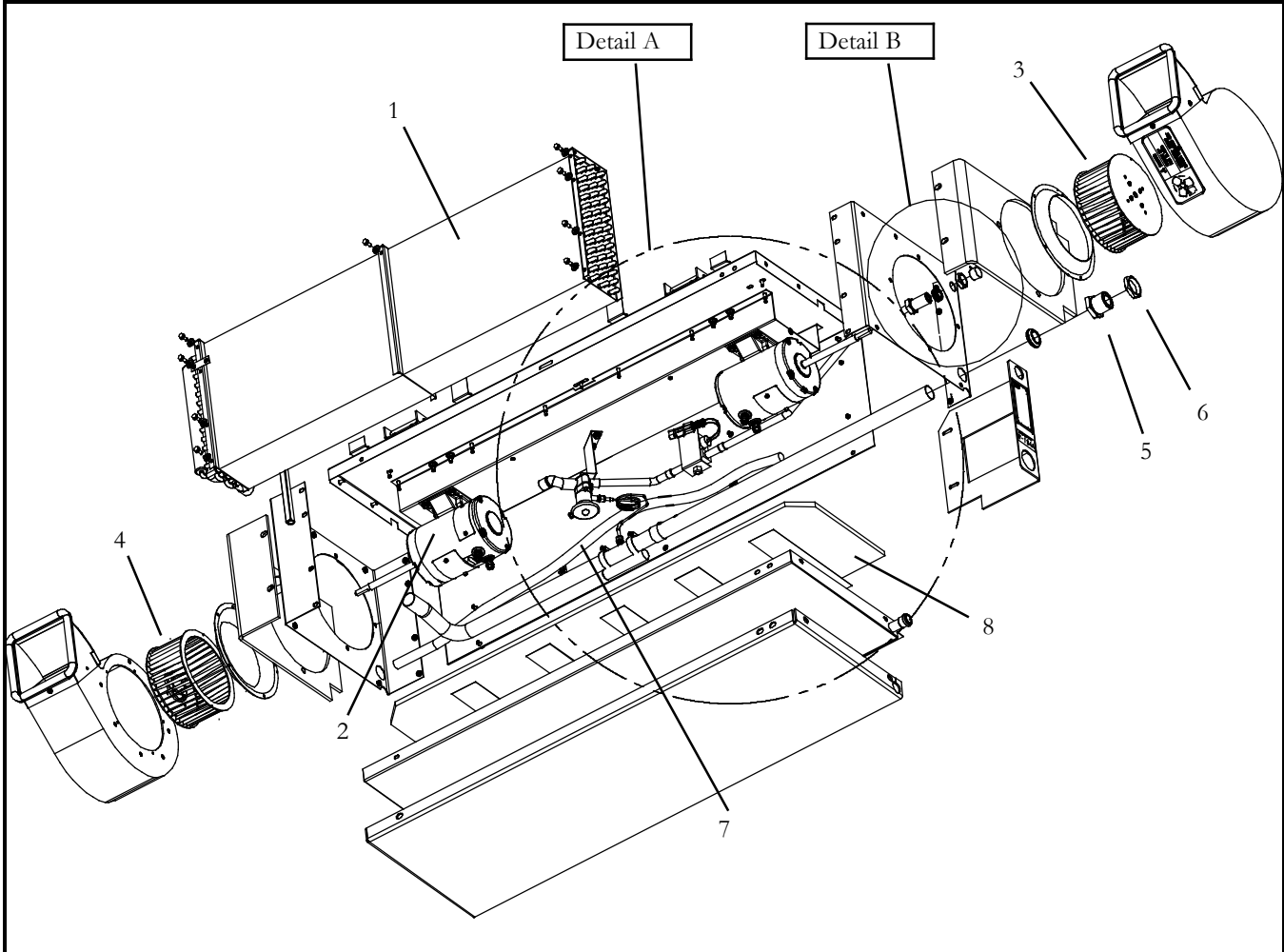
1.8.1 EVAPORATOR, EM-17, CHASSIS KITS 77-62000-11 & Y53-E1701-00: OPTION 3 (Continued)



Item	Part Number	Description	Qty
9	22-01584-00	Resistor, w/Bracket	1
10	56-62134-00	Tube Assy, Equalizer	1
11	14-00351-00	Core, Schrader	5
12	40-01124-00	Valve Body, Schrader (solder to 1/4" flare)	6
13	66-U--1--1214-5	Body, Flange TXV	1
14	14-01104-39	Valve, Thermal Expansion	1
15	AC101-422	Valve, Liquid Line Solenoid, (Less Coil)	1
16	14-50047-00	Repair Kit For Solenoid Valve AC101-422	1
17	22-50030-00	Coil, 24VDC	1
18	44-00337-12	Clamp, Cushioned, 1.125 ID (High Temp)	1
19	12-00299-02	Pressure Switch, CFS2	1
20	12-00299-18	Pressure Switch, CFS1	1
21	12-00299-09	Pressure Switch,UPS3	1
22	12-00334-02	Pressure Switch, UPS2	1
23	12-00334-03	Pressure Switch,UPS1	1
24	AC021-348	Bracket, TXV	1
25	22-02392-01	Connector, 2 Pin Weatherpac	1
26	22-02393-01	Terminal, Male (18-20 AWG)	2
27	22-02394-01	Seal, Cable	2
28	40-00491-15	Fitting, 5/8 ODF x 1.00 ORS	1
29	34-06088-04	Nut, Hex, ORS 1-14	1



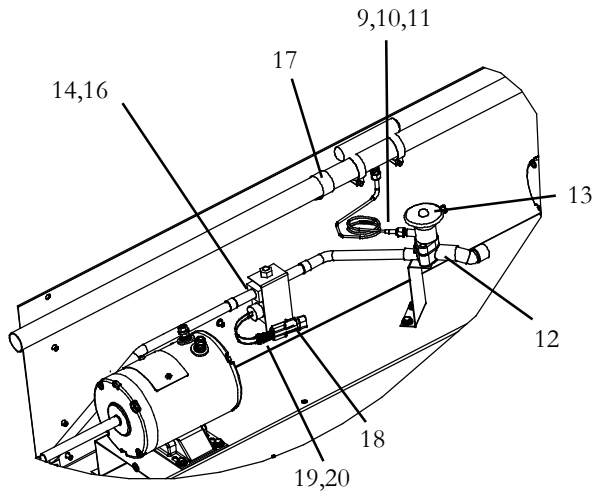
1.8.1 EVAPORATOR, EM-17, CHASSIS KITS 77-62000-31 & Y53-E1702-00: OPTION 4



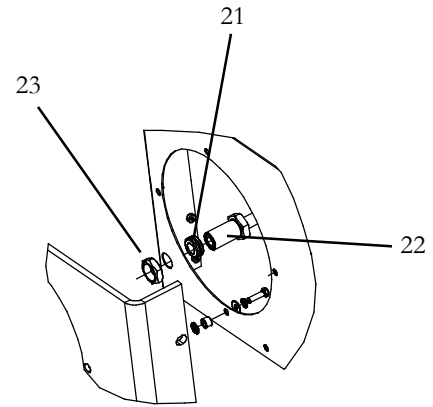
Item	Part Number	Description	Qty
1	21-2041	Coil, Evaporator, (Was 08-62006-00)	1
2	AC501-122	Motor, Evaporator, (Leeson) - Includes:	2
N/S	22-50091-00Brush, Motor	2
N/S	04-50023-00Bearing, Motor	2
3	AC401-215	Blower Wheel, Roadside	1
4	AC401-220	Blower Wheel, Curbside	1
5	40-00491-01	Fitting, 1-11/16 ORS	1
6	34-06088-01	Nut, Hex, 1-5/8-12 ORS	1
7	22-62333-00	Wire Harness	NSI
8	AC022-314	Baffle, Drain Pan	1
N/S	AC801-443	Filter, Return Air	1



1.8.1 EVAPORATOR, EM-17, CHASSIS KITS 77-62000-31 & Y53-E1702-00: OPTION 4 (Continued)



Detail A



Detail B

Item	Part Number	Description	Qty
9	56-62134-00	Tube Assy, Equalizer	1
10	14-00351-00	Core, Schrader	5
11	40-01124-00	Valve Body, Schrader (solder to 1/4" flare)	6
12	66-U---1--1214-5	Body, Flange TXV	1
13	14-01104-39	Valve, Expansion	1
14	AC101-422	Valve, Liquid Line Solenoid, (Less Coil)	1
15	14-50047-00	Repair Kit For Solenoid Valve AC101-422	1
16	22-50030-00	Coil, 24VDC	1
17	44-00337-12	Clamp, Cushioned, 1.125 ID (High Temp)	1
18	22-02392-01	Connector, 2 Pin Weatherpac	1
19	22-02393-01	Terminal, Male (18-20 AWG)	2
20	22-02394-01	Seal, Cable	2
21	58-00065-27	Grommet, .62 ID x .88 OD	1
22	40-00491-15	Fitting, 5/8 ODF x 1.00 ORS	1
23	34-06088-04	Nut, Hex, ORS 1-14	1



NOTE: Complete Wire Harnesses are Non-Stock Items. Replacement Components are Listed and can be cross referenced to supplier part number in manual T-375PL.

1.8.2 EVAPORATOR, EM-17, WIRE HARNESS, OPTION 1



REF: 22-62333-00

Item	Part Number	Description	Qty
1	22-01585-00	Connector, Tower, Weatherpac	1
2	22-01566-01	Terminal, Female, 18-20 AWG	6
3	22-02394-02	Seal, Weatherpac	8
4	22-02392-00	Connector, Shroud, Weatherpac	1
5	22-02393-01	Terminal, Male, 18-20 AWG	2
6	22-01140-02	Terminal, Ring, #10 - 12 AWG	4
7	22-00119-05	Terminal, Ring, 5/16" - 12 AWG	4



NOTE: Complete Wire Harnesses are Non-Stock Items. Replacement Components are Listed and can be cross referenced to supplier part number in manual T-375PL.

1.8.3 EVAPORATOR, EM-17, WIRE HARNESS, OPTION 2



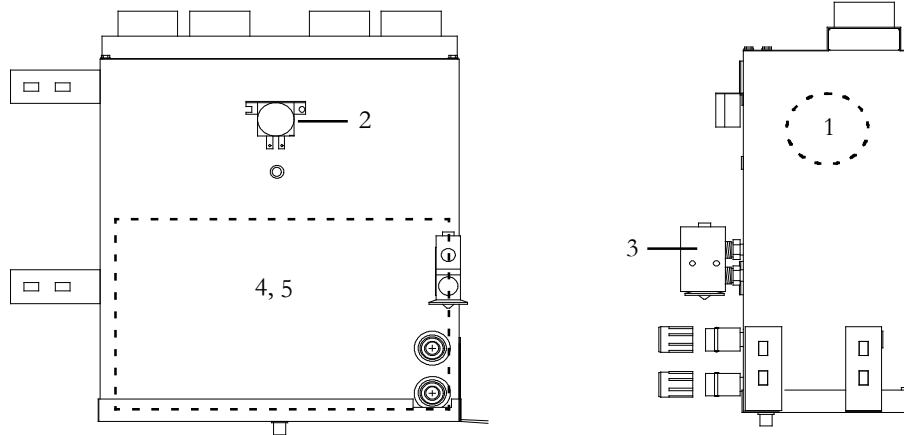
REF: 22-62035-00

Item	Part Number	Description	Qty
1	AC201-951	Connector, Tower, 6 Way Weatherpac	1
2	22-01566-01	Terminal, Female, 18-20 AWG	18
3	22-02394-02	Seal, Weatherpac	24
4	AC201-952	Connector, Shroud, 6 Way Weatherpac	1
5	22-02393-01	Terminal, Male, 18-20 AWG	6
6	22-01140-02	Terminal, Ring, #10 - 12 AWG	4
7	22-00119-05	Terminal, Ring, 5/16" - 12 AWG	4
8	22-00872-01	Terminal, Ring, #10 - 8 AWG	2



SECTION 1.9 EM-23 EVAPORATORS

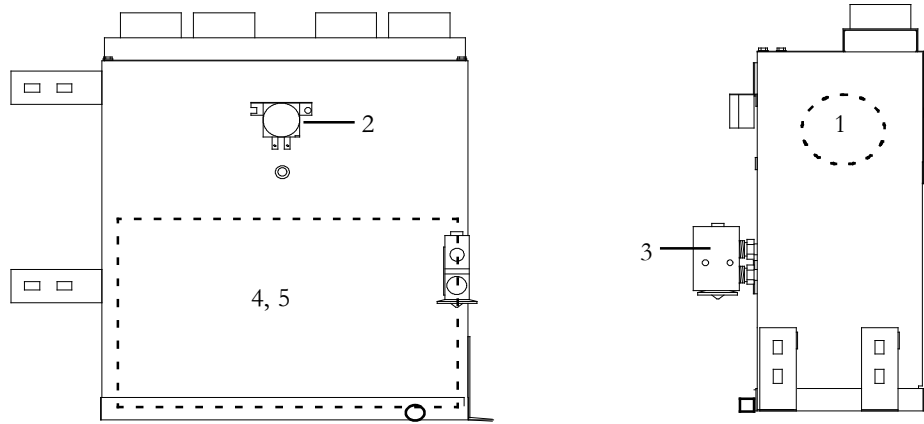
1.9.1 EVAPORATOR KIT, EM-23, HEAT/COOL (77-62725-00)



Item	Part Number	Description	Qty
1	54-50107-00	Blower & Motor Assembly, 12 VDC	1
2	12-50139-00	Switch, Freeze Thermostat	1
3	14-00397-00	Valve, Expansion, TXV, Block Type	1
4	N/A	Coil Assembly, Cool/Heat, Evaporator	1
N/S	58-50119-00	Hose Assembly, Discharge, 10MM x 6.58	1
N/S	58-50120-00	Hose Assembly, Liquid Refrigerant, 8MM x 7.17	1
N/S	AC101-311	Drier, Switch Port-Receiver (Superseded from 14-50098-00)	1
N/S	N/A	Switch, Hi/Low Pressure	1
N/S	58-50121-00	Hose Assembly, Liquid Refrigerant, 8MM x 3.00	1
N/S	58-50122-00	Hose Assembly, Suction, 5/16 x 25.25	1
5	38-50032-00	Filter, Evaporator, (.44 Thick x 12.00 x 12.00 Inches)	1
N/S	N/A	Control Head, IC, EM-23 Heat/Cool - Includes:	1
N/S	10-50067-00Switch, AC, Heat & Vent, 3 Position	1
N/S	10-50068-00Switch, Blower Speed Control, 4 Position	1
N/S	10-50069-00Relay, High Speed & Power	2
N/S	N/A	Kit, Parts, Installation - Includes:	1
N/S	AC801-412F25Gasket, Trimlock, Black (25 Ft. Roll)	1
N/S	42-00032-00Tape, Insulation, Presstite, 2.00 Inch X 30 Feet Long	1
N/S	AC301-240Kazoo, Condensate Valve, 5/8 O.D.	1
N/S	14-50097-00Valve, Solenoid, Water, 1/2 Inch NPT (Includes Solenoid Coil)	1
N/S	AC201-105Breaker, Circuit, 20 Amp (Manual Reset)	2
N/S	58-50116-00Louver, Rectangular	3
N/S	23-0582Louver Assembly, Vane, With 2-1/2" Adaptor (Superseded from 58-50117-00)	1



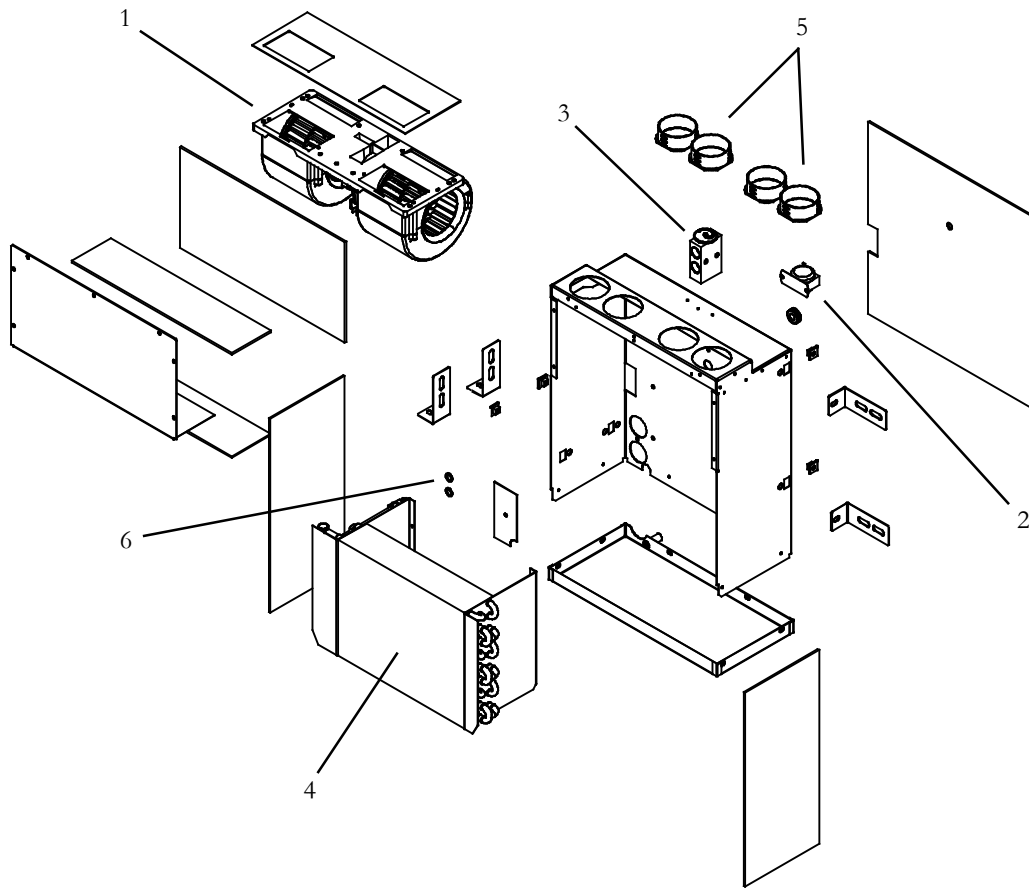
1.9.2 EVAPORATOR KIT, EM-23 - COOL ONLY (77-62204-00)



Item	Part Number	Description	Qty
1	54-50107-00	Blower & Motor Assembly, 12 VDC	1
2	12-50139-00	Switch, Freeze Thermostat	1
3	14-00397-00	Valve, Expansion, TXV, Block Type	1
4	N/A	Coil Assembly, Cool Only, Evaporator	1
N/S	58-50119-00	Hose Assembly, Discharge, 10MM x 6.58	1
N/S	58-50120-00	Hose Assembly, Liquid Refrigerant, 8MM x 7.17	1
N/S	AC101-311	Drier, Switch Port-Receiver (Superseded from 14-50098-00)	1
N/S	N/A	Switch, Hi/Low Pressure	1
N/S	58-50121-00	Hose Assembly, Liquid Refrigerant, 8MM x 3.00	1
N/S	58-50122-00	Hose Assembly, Suction, 5/16 x 25.25	1
5	38-50032-00	Filter, Evaporator, (.44 Thick x 12.00 x 12.00 Inches)	1
N/S	N/A	Kit, Parts, Installation - Includes:	1
N/S	AC801-412F25Gasket, Trimlock, Black (25 Ft. Roll)	1
N/S	42-00032-00Tape, Insulation, Presstite, 2.00 Inch X 30 Feet Long	1
N/S	AC301-240Kazoo, Condensate Valve, 5/8 O.D.	1
N/S	AC201-105Breaker, Circuit, 20 Amp (Manual Reset)	2
N/S	N/A	Kit, Duct, IC - Includes:	1
N/S	23-0582Louver Assembly, Vane, With 2-1/2" adapter (Superseded from 58-50117-00)	4



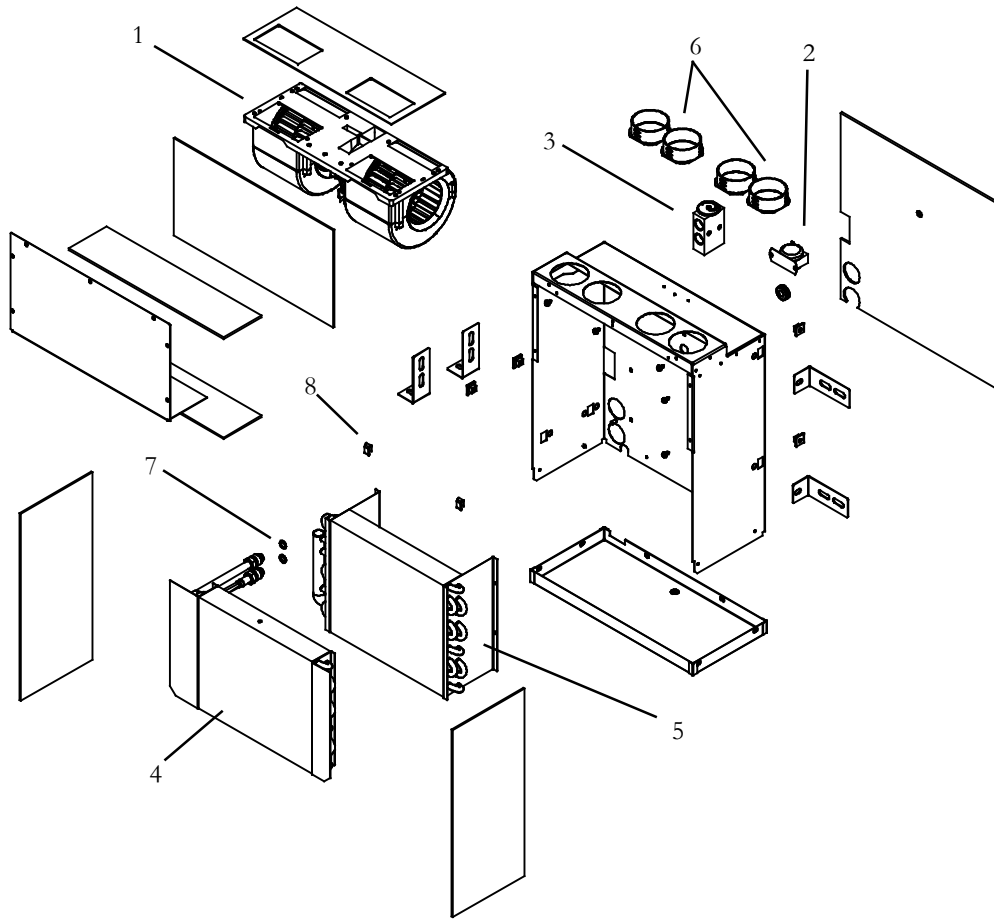
1.9.3 EVAPORATOR KIT, EM-23 - COOL ONLY 13-20323



Item	Part Number	Description	Qty
1	15-1505	Blower & Motor Assembly, 12 VDC	1
2	25-1163	Switch, Freeze Thermostat	1
3	26-0190	Valve, Expansion, TXV, Block Type	1
4	21-1948	Coil Assembly, Evaporator	1
5	23-0038	Hose Adaptor, 2.5"	4
6	27-0602	O-Rings, #8	2



1.9.4 EVAPORATOR KIT, EM-23 - HEAT/COOL 13-20301

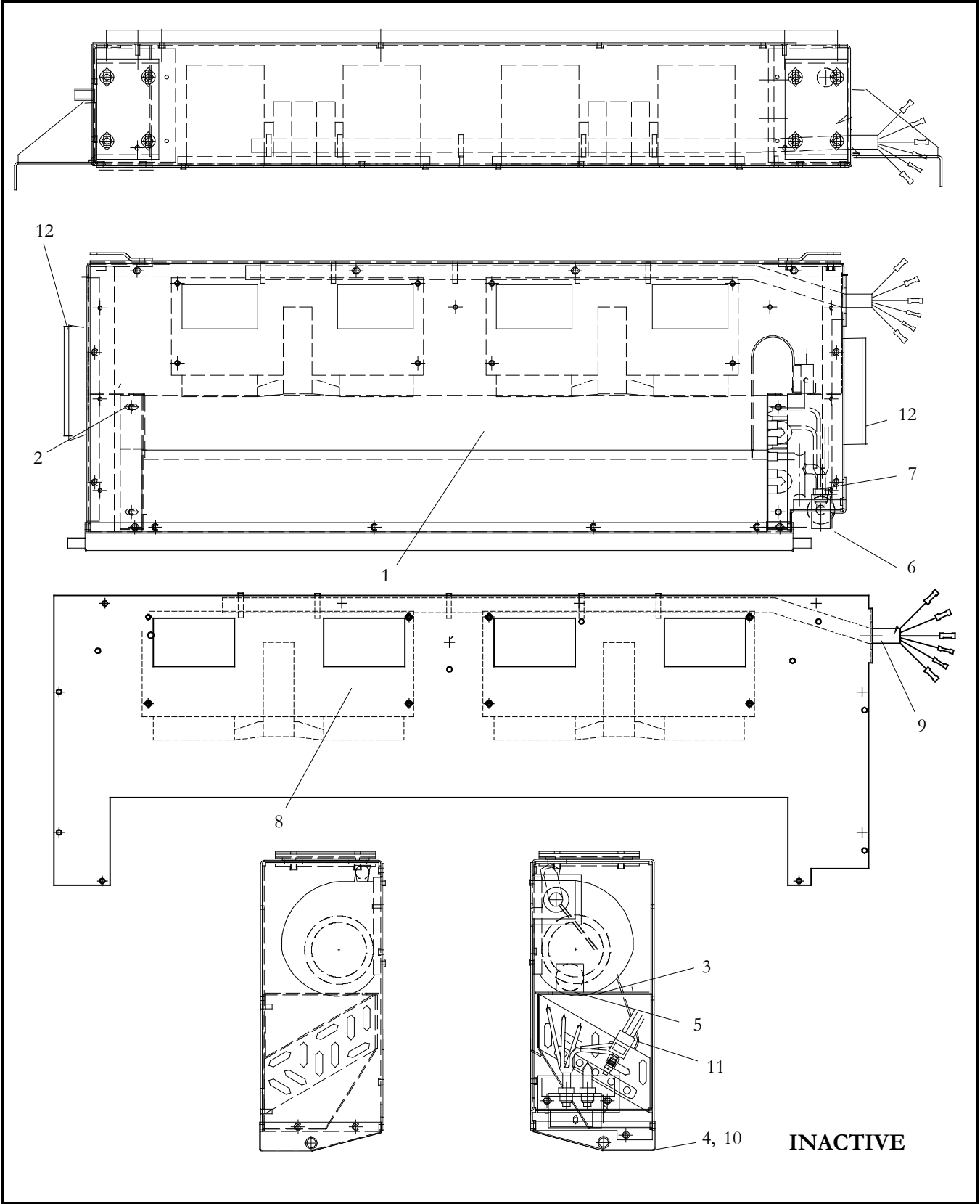


Item	Part Number	Description	Qty
1	15-1505	Blower & Motor Assembly, 12 VDC	1
2	25-1163	Switch, Freeze Thermostat	1
3	26-0190	Valve, Expansion, TXV, Block Type	1
4	21-1948	Coil Assembly, Evaporator	1
5	22-1245	Coil Assembly, Heater	1
6	23-0038	Hose Adaptor, 2.5"	4
7	27-0602	O-Rings, #8	2
8	29-0437	Panel, Coil Clip	2



SECTION 1.10 IW-1 IN-WALL EVAPORATORS

1.10.1 EVAPORATOR, IW-1, (77-62081-11)

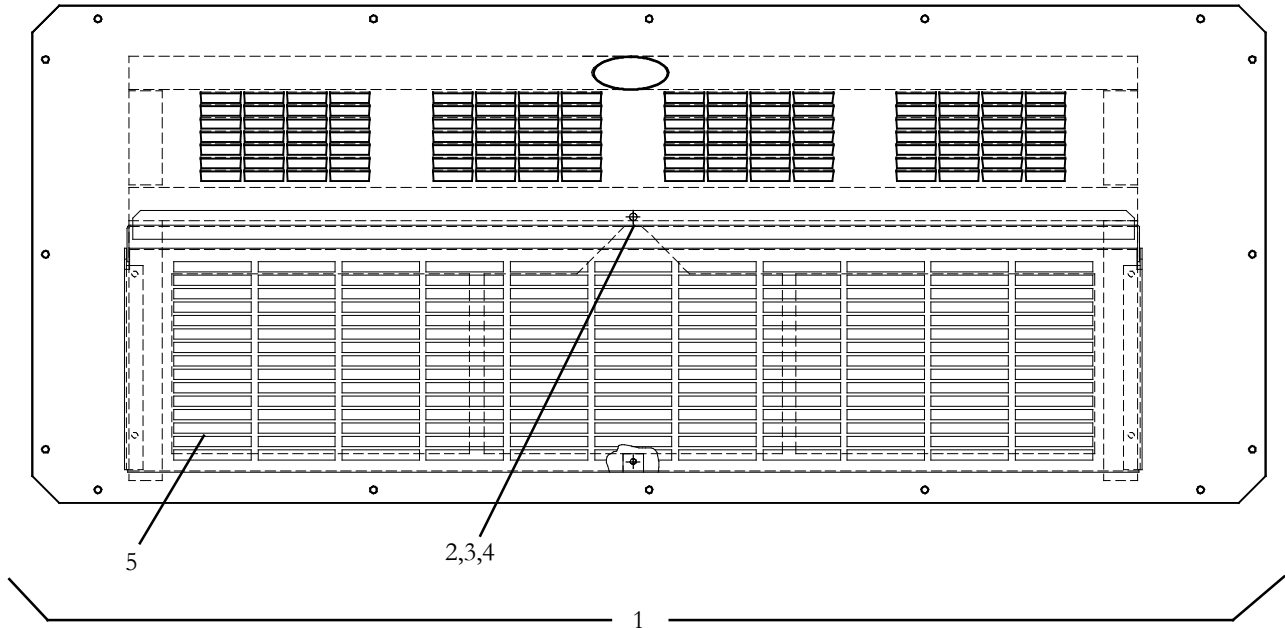




1.10.1 EVAPORATOR, IW-1, (77-62081-11) - Continued:			
Item	Part Number	Description	Qty
1	08-01068-00	Coil Assembly, EM-1, GEN V	1
2	AC701-101	Clip, Tinnerman, 1/4-20	4
3	AC801-300	Bushing, Universal, 1 Inch	1
4	AC022-746-1	Gasket, Drain Pan, .50 Thick X 5.50 33.25	1
5	12-00685-00	Thermostat, Freeze-Up, Non Adjustable	1
6	14-00397-00	Thermal Expansion Block Valve, (R134a)	1
7	AC801-202	O-Ring, 1/2 Inch HNBR (Package of 10)	1
8	AC040-074	Blower Assembly, 12 VDC	2
9	AC022-744	Harness, Evaporator, EM-14, GEN 4, (12/24 VDC)	1
10	86-62243-00	Drain Pan Assembly	1
11	AC201-412	Switch, Pressure, Low	1
12	68-63217-00	Bracket, Mounting, (NSI)	2



1.10.1 EVAPORATOR, IW-1 - GRILL ASSEMBLY (79-62056-00)



INACTIVE

Item	Part Number	Description	Qty
1	79-62056-00	Grill Assembly IW-1, Includes:	1
2	34-62019-00Receptacle, 1/4 Turn	1
3	34-62020-00Stud, 1/4 Turn, .25 Grip Range	1
4	34-06169-01Washer, Retaining, .215 I. D.	1
5	38-00573-01Filter, Air, 36.50 X 9.00 X .12, EM-1	1



**OPTION TABLE - IW-1,
12 VDC - 3 Speed**

MODEL IW-1 77-62160	Cover Kit <small>(see Section 1.10.6)</small>	Chassis Kit <small>(see Section 1.10.2)</small>	Wire Harness <small>(see Section 1.10.4)</small>	Mount Brackets <small>(see Section 1.10.5)</small>
-00	1	1	1	1
-01	2	1	2	2
-02	-	1	1	-
-03	11	1	1	1
-04	3	1	1	1
-05	5	1	1	1
-06	4	1	1	3
-07	5	1	1	1
-10	6	1	3	4
-11	5	1	3	4
-12	7	1	1	5
-13	7	1	1	5
-14	6	1	1	6
-20	9	1	1	5
-21	9	1	1	5
-22	8	1	1	4
-23	8	1	1	4
-24	10	1	1	-
-25	10	1	1	-
-26	5	1	3	4
-27	11	1	1	-
-28	6	1	1	1
-29	6	1	1	1
-30	-	1	1	7
-31	-	1	5	7
-32	13	1	1	1
-33	13	1	1	1
-81	6	1	1	1
-83	6	1	1	1
-86	6	1	1	4

**OPTION TABLE - IW-1,
24 VDC**

MODEL IW-1 77-62160	Cover Kit <small>(see Section 1.10.6)</small>	Chassis Kit <small>(see Section 1.10.2)</small>	Wire Harness <small>(see Section 1.10.4)</small>	Mount Brackets <small>(see Section 1.10.5)</small>
-15	11	1	2	1
-16	6	1	2	1
-17	6	1	2	1
-18	12	1	1	1
-19	2	1	2	2

**OPTION TABLE - IW-1,
Variable Speed**

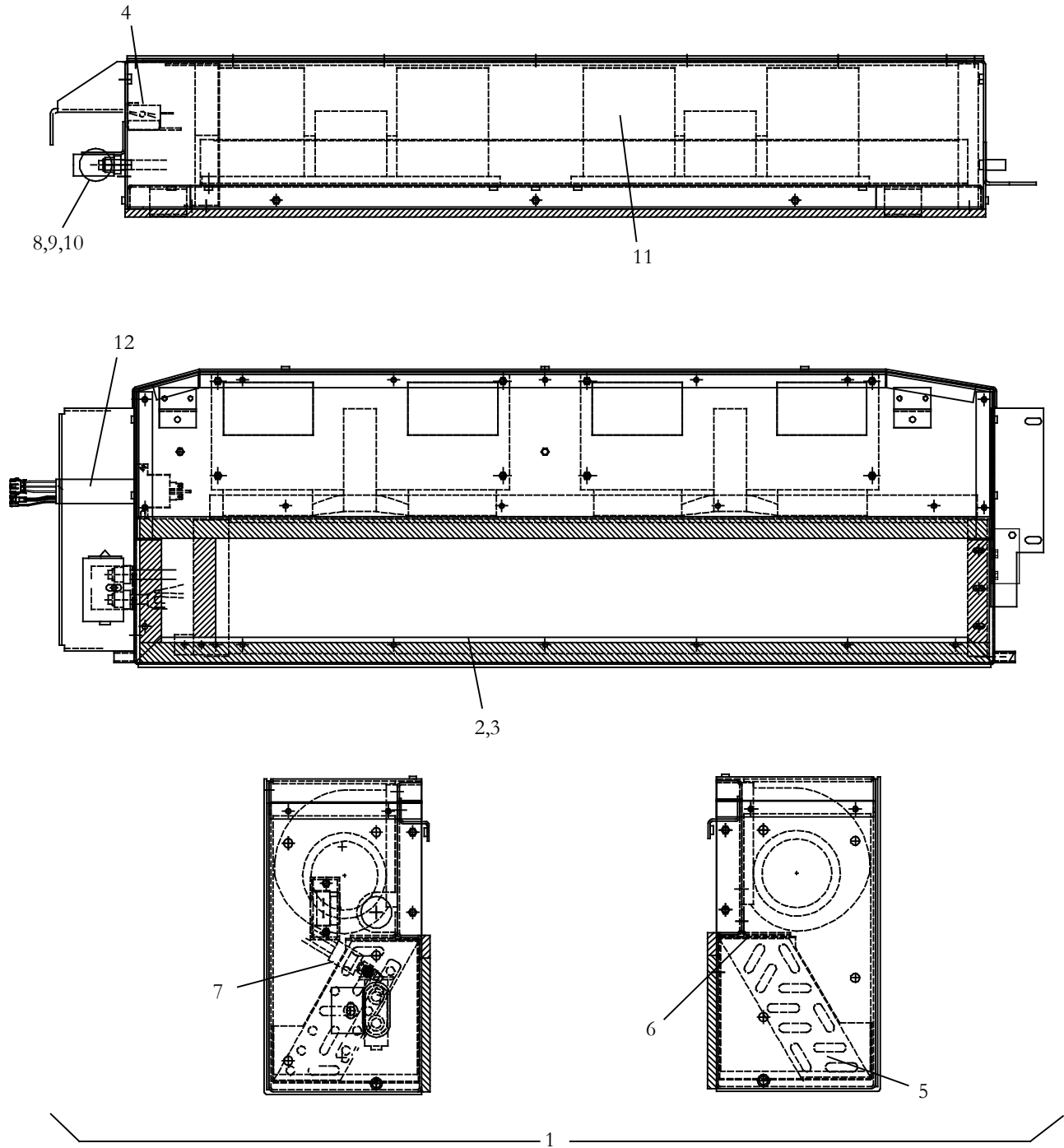
MODEL IW-1 77-62160	Cover Kit <small>(see Section 1.10.6)</small>	Chassis Kit <small>(see Section 1.10.2)</small>	Wire Harness <small>(see Section 1.10.4)</small>	Mount Brackets <small>(see Section 1.10.5)</small>
-09	1	1	4	-

**OPTION TABLE - IW-1,
3 Speed - 12VDC**

MODEL IW-1 Y19-IW101	Cover Kit <small>(see Section 1.10.6)</small>	Chassis Kit <small>(see Section 1.10.2)</small>	Wire Harness <small>(see Section 1.10.4)</small>	Mount Brackets <small>(see Section 1.10.5)</small>
-00	-	1	6	7



1.10.2 EVAPORATOR, IW-1, COMMON PARTS USED ON 77-62160-XX UNITS

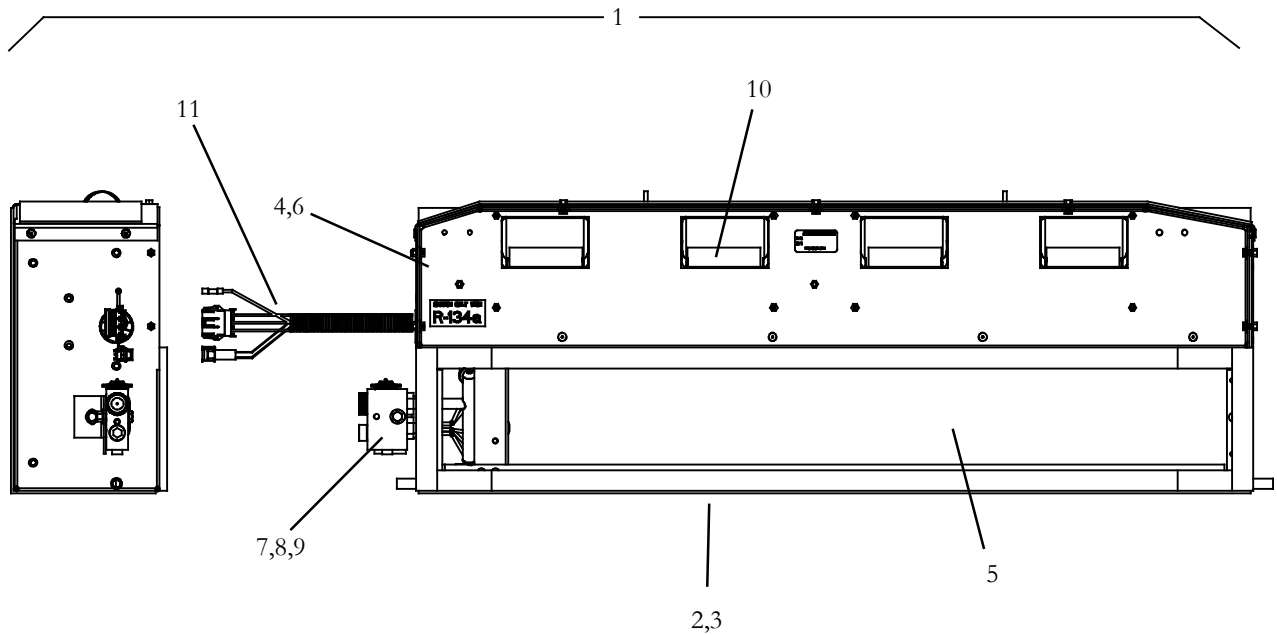




1.10.2 EVAPORATOR ASSEMBLY, IW-1, COMMON PARTS USED ON 77-62160-XX UNITS			
Item	Part Number	Description	Qty
1	77-00303-00	...Evaporator Assy, IW-1, Variable Speed - 12 VDC Includes:	NSI
	77-00303-01	...Evaporator Assy, IW-1, TBB - 12 VDC Includes:	NSI
	77-00303-02	...Evaporator Assy, IW-1 - 12 VDC Includes:	NSI
	77-00303-03	...Evaporator Assy, IW-1 (For use w/ flat cover) - 12 VDC Includes:	NSI
	77-00303-04	...Evaporator Assy, IW-1 - 24 VDC Includes:	NSI
	77-00303-05	...Evaporator Assy, IW-1 - 12 VDC, Enviromate Includes:	NSI
2	86-62460-00Drain Pan Assembly	1
3	022-313-1Baffle, Drain Pan	1
4	12-00685-00Thermostat, Freeze-Up, Non Adjustable	1
5	08-62056-01Coil Assembly, Evaporator, IW-1	1
6	NSIGasket, Coil, .125 Inch Thick X 3 X 34.18	1
7	AC201-412Switch, Pressure, Low	1
8	AC801-202O-Ring, 1/2 Inch HNBR	2
9	14-00397-00Valve, Thermal Expansion, (R134a)	1
10	42-00032-00Tape, Insulation, Prestite	1
11	AC401-202Fan & Motor Assembly, 12 VDC	2
	54-00546-03Fan & Motor Assembly, 24 VDC	2
12	22-62239-00Harness, Wiring, Variable Speed (See Section 1.10.4)	NSI
	22-62282-00Harness, Evaporator, EM/IW, (12VDC) - (See Section 1.10.4)	NSI
	22-62274-00Harness, Evaporator, EM/IW, TBB, (12VDC) - (See Section 1.10.4)	NSI
	22-62299-00Harness, Evaporator, EM/IW, (24 VDC) - (See Section 1.10.4)	NSI
	Y25-00059-00Harness, Evaporator, EM/IW, (12 VDC, Enviromate) - (See Section 1.10.4)	NSI



1.10.3 EVAPORATOR, IW-1, COMMON PARTS USED ON CHASSIS Y73-IW101-00: Option 1

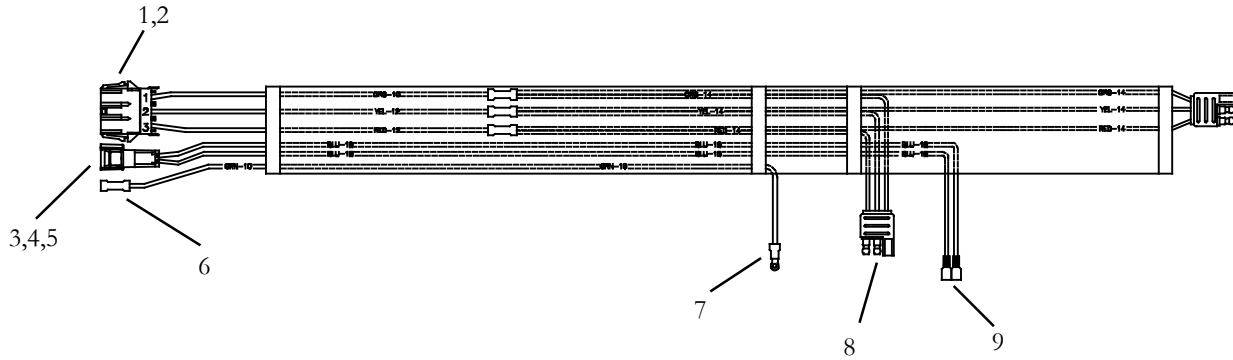


Item	Part Number	Description	Qty
1	Y73-IW101-00	...Evaporator Assy, IW-1, Variable Speed - 12 VDC Includes:	NSI
2	86-62460-00Drain Pan Assembly	1
3	022-313-1Baffle, Drain Pan	1
4	12-00685-00Thermostat, Freeze-Up, Non Adjustable	1
5	08-62056-01Coil Assembly, Evaporator, IW-1	1
6	AC201-412Switch, Pressure, Low	1
7	AC801-202O-Ring, 1/2 Inch HNBR	2
8	14-00397-00Valve, Thermal Expansion, (R134a)	1
9	42-00032-00Tape, Insulation, Prestite	1
10	Y15-00003-00Fan & Motor Assembly, 12 VDC	2
11	Y25-00106-01Harness, Wiring, (See Section 1.10.4)	NSI



NOTE: Complete Wire Harnesses are Non-Stock Items. Replacement Components are Listed and can be cross referenced to supplier part number in manual T-375PL.

1.10.4 EVAPORATOR HARNESS, IW-1 12VDC (22-62282-00): OPTION 1

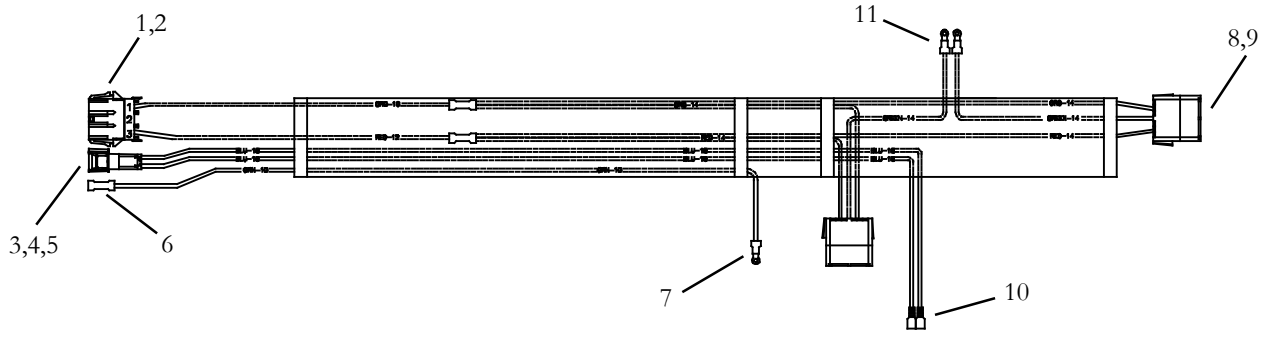


Item	Part Number	Description	Qty
1	22-50099-32	Connector, Plug Housing (3 position)	1
2	22-50099-32A	Terminal, Male, 10/12 AWG	3
3	22-50099-37	Connector, Male Unsealed	1
4	22-50099-37A	Terminal, Male, 16/18 AWG	2
5	22-50099-37D	Lock, Secondary	1
6	22-00066-03	Terminal, Butt Splice, 10/12 AWG	1
7	22-01140-02	Terminal, Ring #10, 10/12 AWG	1
8	22-62002-00	Connector,Electrical	2
9	22-01258-01	Terminal, Female Push-on, 18/22 AWG	2



NOTE: Complete Wire Harnesses are Non-Stock Items. Replacement Components are Listed and can be cross referenced to supplier part number in manual T-375PL.

1.10.4 EVAPORATOR HARNESS, IW-1 24VDC (22-62299-00): OPTION 2

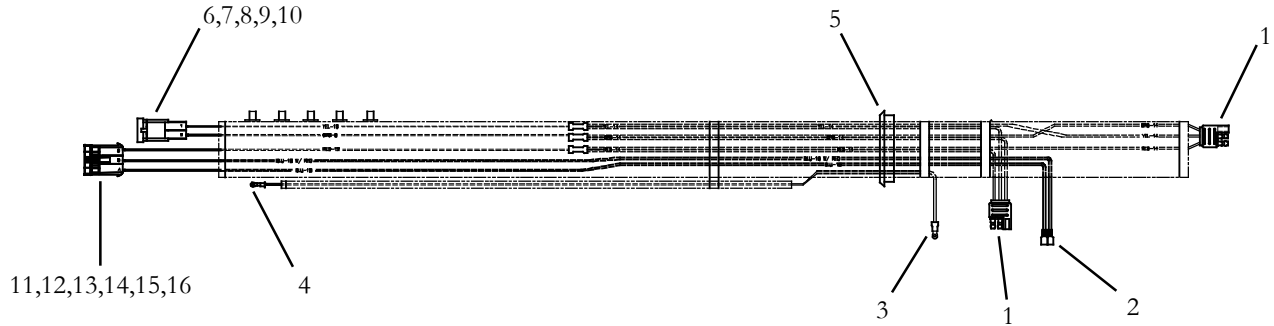


Item	Part Number	Description	Qty
1	22-50099-32	Connector, Plug Housing (3 position)	1
2	22-50099-32A	Terminal, Male, 10/12 AWG	3
3	22-50099-37	Connector, Male Unsealed	1
4	22-50099-37A	Terminal, Male, 16/18 AWG	2
5	22-50099-37D	Lock, Secondary	1
6	22-00066-03	Terminal, Butt Splice, 10/12 AWG	1
7	22-01140-02	Terminal, Ring #10, 10/12 AWG	1
8	22-60254-08	Receptacle Housing, (4 position)	2
9	22-60254-27	Terminal, Female, 14 AWG	6
10	22-01258-01	Terminal, Female Push-on, 18/22 AWG	2
11	22-01139-02	Terminal, Ring #10, 14/16 AWG	2



NOTE: Complete Wire Harnesses are Non-Stock Items. Replacement Components are Listed and can be cross referenced to supplier part number in manual T-375PL.

1.10.4 EVAPORATOR HARNESS, IW-1 12VDC (22-62274-00): OPTION 3

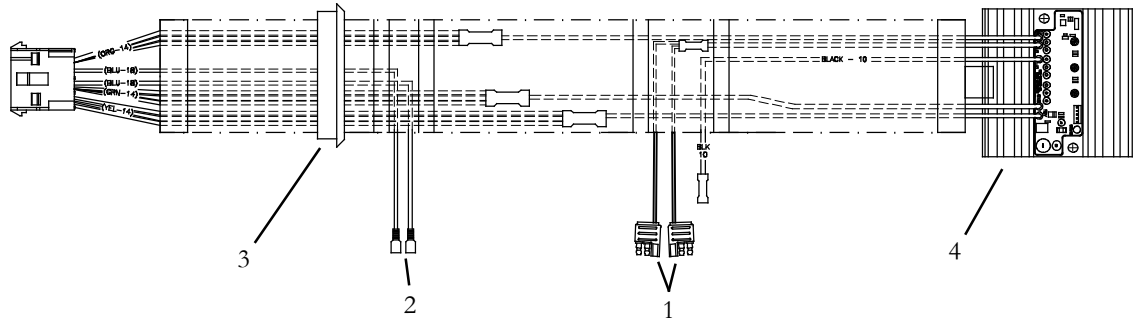


Item	Part Number	Description	Qty
1	22-62002-00	Connector, Plug (Motor)	2
2	22-01258-01	Terminal, Female Push-On, 18/22 AWG	2
3	22-00872-01	Terminal, Ring #10, 8 AWG	1
4	22-00872-03	Terminal, Ring 5/16 , 8 AWG	1
5	58-00661-07	Bushing	1
6	22-50098-67	Connector, Male, 2 position	1
7	22-50098-67B	Terminal, Male, 8 AWG	1
8	22-50098-67D	Cable Seal, 8 AWG	1
9	22-50098-67A	Terminal, Male, 10/12 AWG	1
10	22-50098-67C	Cable Seal, 10/12 AWG	1
11	22-50078-86	Connector, Male, 3 position	1
12	22-50078-49A	Terminal, Male, 18 AWG	2
13	22-50078-53C	Cable Seal, 18 AWG	2
14	22-50078-49C	Terminal, Male, 12 AWG	1
15	22-50078-53D	Cable Seal, 12 AWG	1
16	22-50078-86A	Lock, Secondary	1



NOTE: Complete Wire Harnesses are Non-Stock Items. Replacement Components are Listed and can be cross referenced to supplier part number in manual T-375PL.

1.10.4 EVAPORATOR HARNESS, IW-1, Variable Speed 12VDC (22-62239-00): OPTION 4

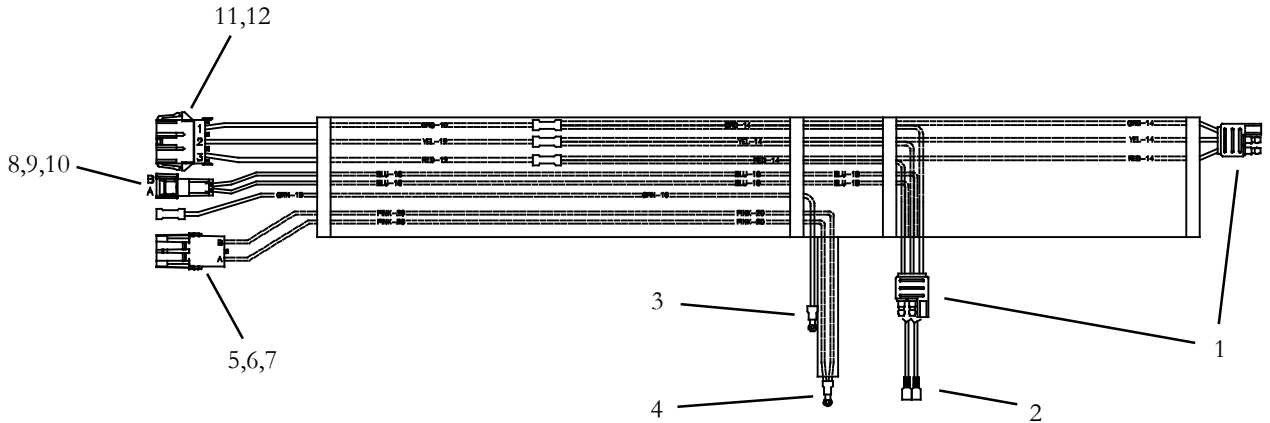


Item	Part Number	Description	Qty
1	22-62002-00	Connector, Plug (Motor)	2
2	22-01258-01	Terminal, Female Push-On, 18/22 AWG	2
3	58-00661-07	Bushing	1
4	12-00533-01	Speed Controller w/Harness	1



NOTE: Complete Wire Harnesses are Non-Stock Items. Replacement Components are Listed and can be cross referenced to supplier part number in manual T-375PL.

1.10.4 EVAPORATOR HARNESS, IW-1, EnviorMATE 12VDC (Y25-00059-00): OPTION 5

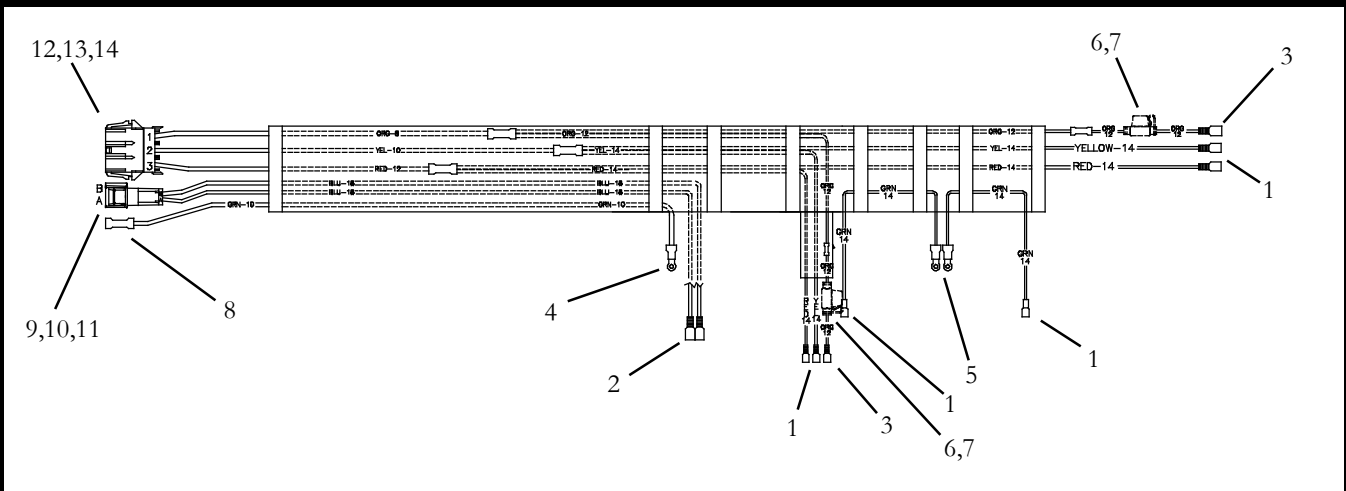


Item	Part Number	Description	Qty
1	22-62002-00	Connector, Plug (Motor)	2
2	22-01258-01	Terminal, Female Push-On, 18/22 AWG	2
3	22-01140-02	Terminal, Ring #10, 12/10 AWG	1
4	12-00495-02SV	Thermistor, Fenwal Ring (Was 12-00305-04, Superseded)	1
5	22-02392-00	Connector, Male, 2 position W/P	1
6	22-02393-01	. . . Terminal, Male, 20/18 AWG	2
7	22-02394-00	. . . Cable Seal	2
8	22-50099-37	Connector, Male, Unsealed	1
9	22-50099-37A	. . . Terminal, Male, 16/18 AWG	2
10	22-50099-37D	. . . TPA	1
11	22-50099-32	Connector, Plug Housing 3 Way	1
12	22-50099-32A	. . . Terminal, Male, 10/12 AWG	3



NOTE: Complete Wire Harnesses are Non-Stock Items. Replacement Components are Listed and can be cross referenced to supplier part number in manual T-375PL.

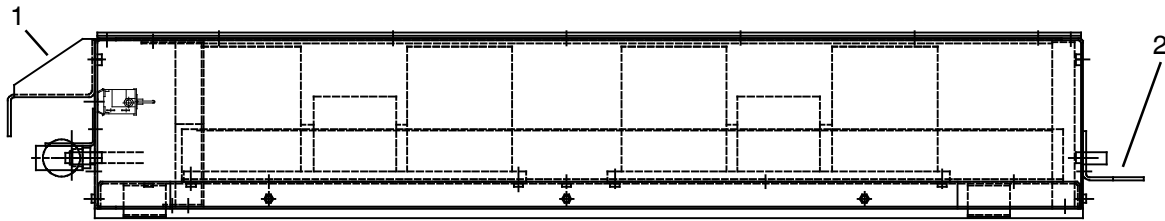
1.10.4 EVAPORATOR HARNESS, IW-1, 12VDC (Y25-00106-01): OPTION 6



Item	Part Number	Description	Qty
1	22-01141-01	Terminal, Female Push-On, 16/14 AWG	6
2	22-01258-01	Terminal, Female Push-On, 18/22 AWG	2
3	31-1247	Terminal, Female Push-On, 12/10 AWG	2
4	22-01140-02	Terminal, Ring #10, 12/10 AWG	1
5	22-01139-02	Terminal, Ring #10, 16/14 AWG	2
6	22-02338-07	Fuse Holder w/Cap	2
7	22-02336-26	Fuse, Mini, 25A	1
8	22-00066-03	Terminal, Butt Splice 12/10 AWG	2
9	22-50099-37	Connector, Male, Unsealed	1
10	22-50099-37A	... Terminal, Male, 16/18 AWG	2
11	22-50099-37D	... TPA	1
12	22-50099-32	Connector, Plug Housing 3 Way	1
13	22-50099-32A	... Terminal, Male, 10/12 AWG	2
14	22-50099-32B	... Terminal, Male, 8 AWG	1

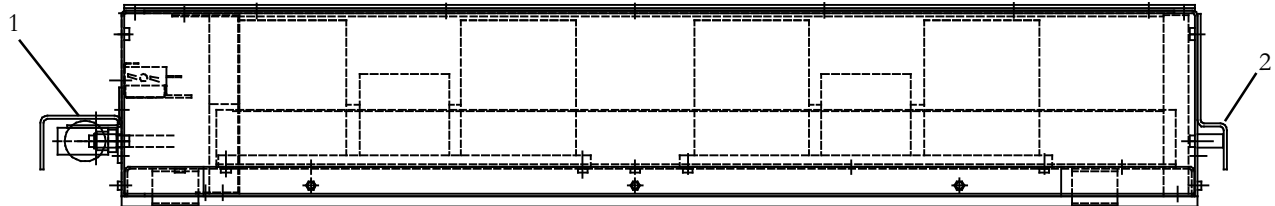


1.10.5 EVAPORATOR, IW-1, BRACKETS (77-62160-00,-03,-04,-05,-07,-15,16,-17,-18,-28,-29,-32,-33,-81,&-83): OPTION 1



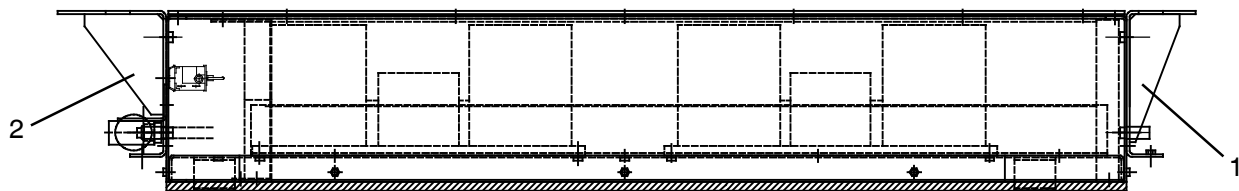
Item	Part Number	Description	Qty
1	68-63416-00Bracket, Hanger, Evaporator Mounting	NSI
2	68-63417-00Bracket, Hanger, Evaporator Mounting	NSI

1.10.5 EVAPORATOR, IW-1, BRACKETS (77-62160-01 & -19): OPTION 2



Item	Part Number	Description	Qty
1	68-63440-00Bracket, Hanger, Evaporator Mounting	NSI
2	68-63441-00Bracket, Hanger, Evaporator Mounting	NSI

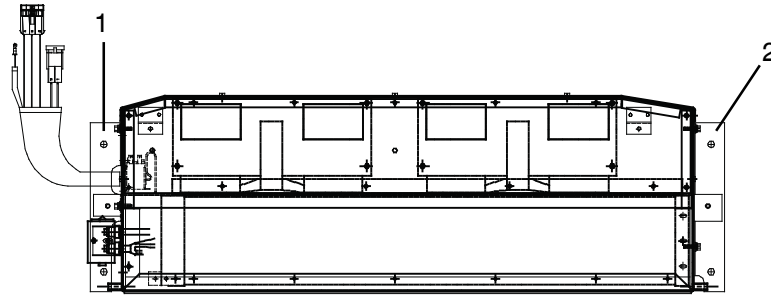
1.10.5 EVAPORATOR, IW-1, BRACKETS (77-62160-06): OPTION 3



Item	Part Number	Description	Qty
1	86-62577-00Weld Assembly, IW-1	NSI
2	86-62437-00Weld Assembly, IW-1	NSI

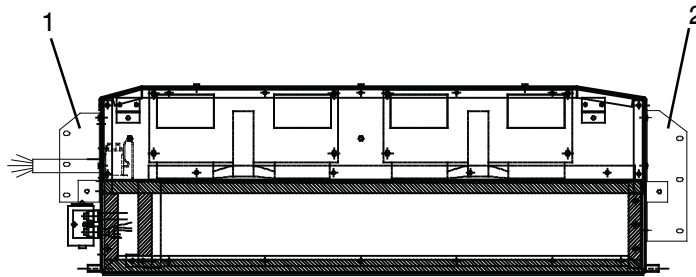


1.10.5 EVAPORATOR, IW-1, BRACKETS (77-62160-10, -11, -22, -23 & -26): OPTION 4



Item	Part Number	Description	Qty
1	68-63756-00Bracket, Mounting	NSI
2	68-63757-00Bracket, Mounting	NSI

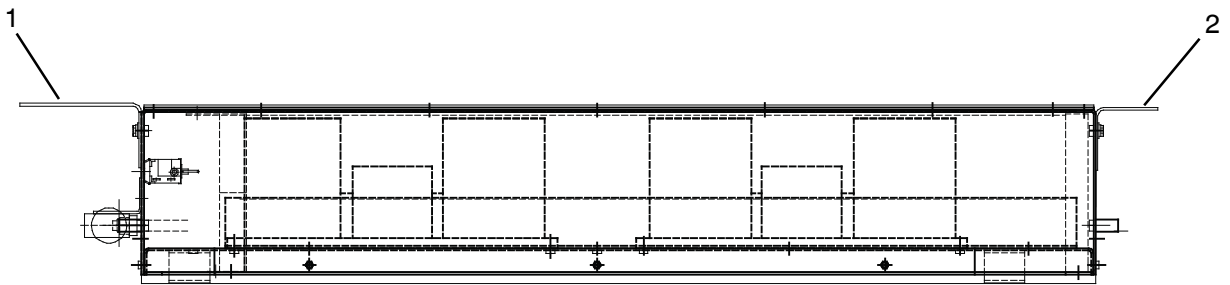
1.10.5 EVAPORATOR, IW-1, BRACKETS (77-62160-12, -13, -20 & -21): OPTION 5



Item	Part Number	Description	Qty
1	68-63763-00Bracket, Mounting	NSI
2	68-63764-00Bracket, Mounting	NSI

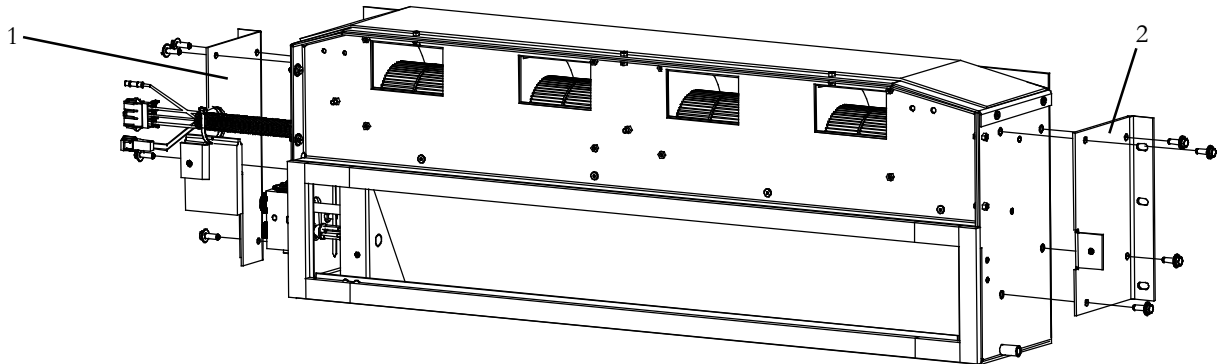


1.10.5 EVAPORATOR, IW-1, BRACKETS (77-62160-14): OPTION 6



Item	Part Number	Description	Qty
1	68-08216-00Bracket, Mounting	NSI
2	68-08217-00Bracket, Mounting	NSI

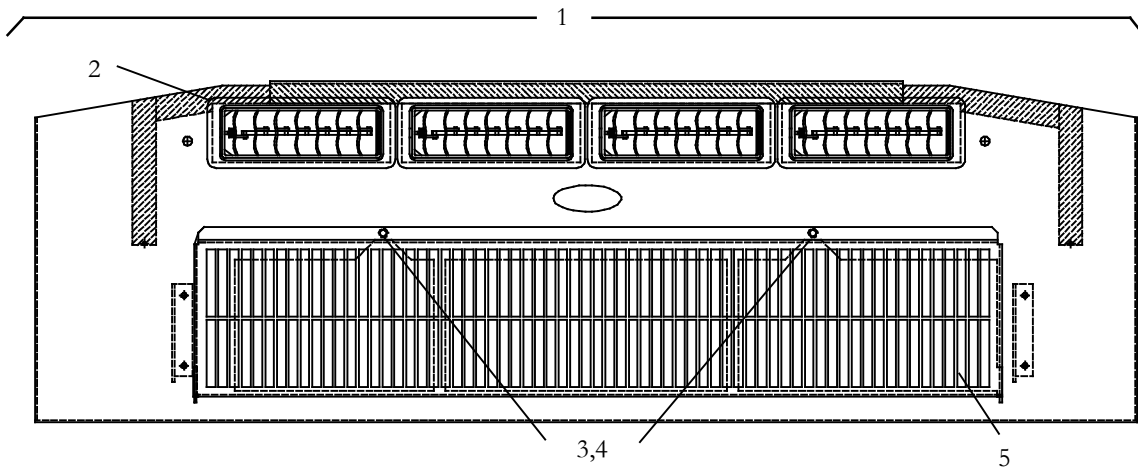
1.10.5 EVAPORATOR, IW-1, BRACKETS (77-62160-30 & -31 and Y19-IW101-00): OPTION 7



Item	Part Number	Description	Qty
1	Y24-00186-00Bracket, Mounting	NSI
2	Y24-00187-00Bracket, Mounting	NSI

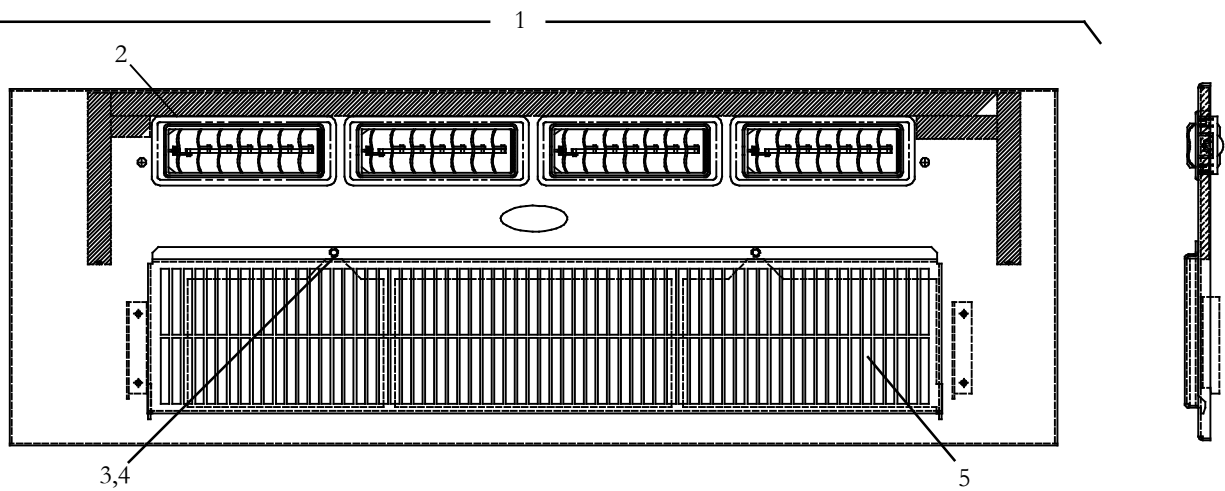


1.10.6 COVER ASSEMBLY, IW-1, LOUVER DIFFUSER - USE WITH 77-62160-00,-09 : OPTION 1



Item	Part Number	Description	Qty
1	79-62088-00	Cover Assembly, IW-1, White, Includes: (-00 & -09)	1
	79-62088-03	Cover Assembly, IW-1, Oyster White, Includes:	1
2	58-62042-00Diffuser, Air, Louver, Rectangular (8.0 X 3.0 Inches)	4
3	N/ANut, Retaining, Chimney Type, 1/4-20	2
4	801-307Screw, Knurled Slotted Head, 1/4-20 x 0.75 Inch Long, Nylon	2
5	38-00573-08Filter, Air, 34.00 X 6.40 X .25, (IW-1)	1

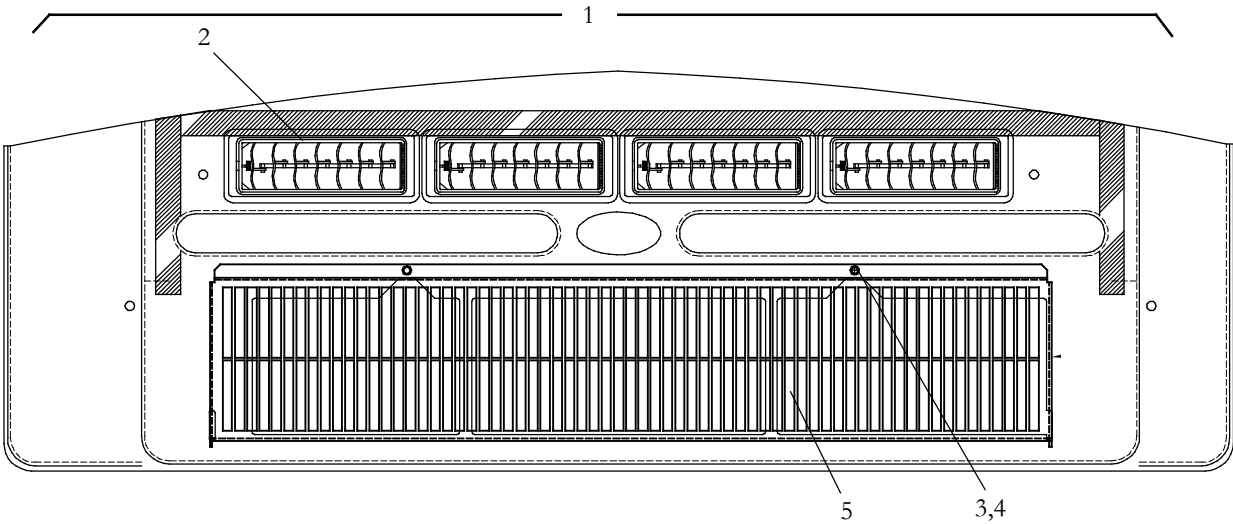
1.10.6 COVER ASSEMBLY, IW-1, LOUVER DIFFUSER - USE WITH 77-62160-01 & -19 : OPTION 2



Item	Part Number	Description	Qty
1	79-62088-02	Cover Assembly, IW-1, White - Includes:	1
2	58-62042-00Diffuser, Air, Louver, Rectangular (8.0 X 3.0 Inches)	4
3	N/ANut, Retaining, Chimney Type, 1/4-20	2
4	801-307Screw, Knurled Slotted Head, 1/4-20 x 0.75 Inch Long, Nylon	2
5	38-00573-08Filter, Air, 34.00 X 6.40 X .25, (IW-1)	1

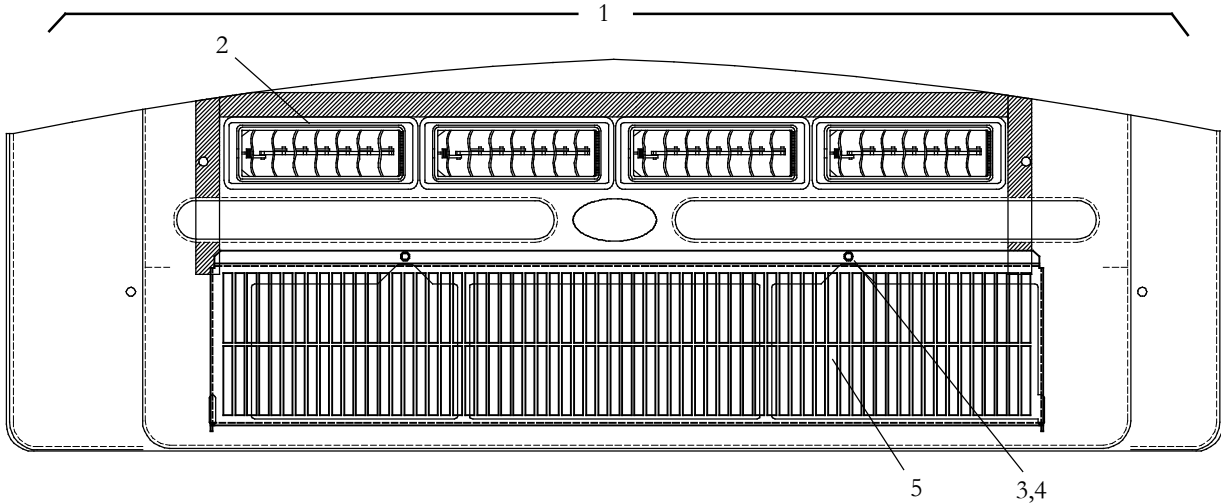


1.10.6 COVER ASSEMBLY, IW-1 - USE WITH 77-62160-04 : OPTION 3



Item	Part Number	Description	Qty
1	79-62096-00	Cover Assembly, IW-1, Grey (TBB FS65) - Includes: (-04)	1
2	58-62042-00Diffuser, Air, Adjustable, (Rectangular)	4
3	N/ANut, Retaining, Chimney Type, 1/4-20	2
4	801-307Screw, Knurled Slotted Head, 1/4-20 x 0.75 Inch Long, Nylon	2
5	38-00573-08Filter, Air, 34.00 X 6.40 X .25 Inch	1

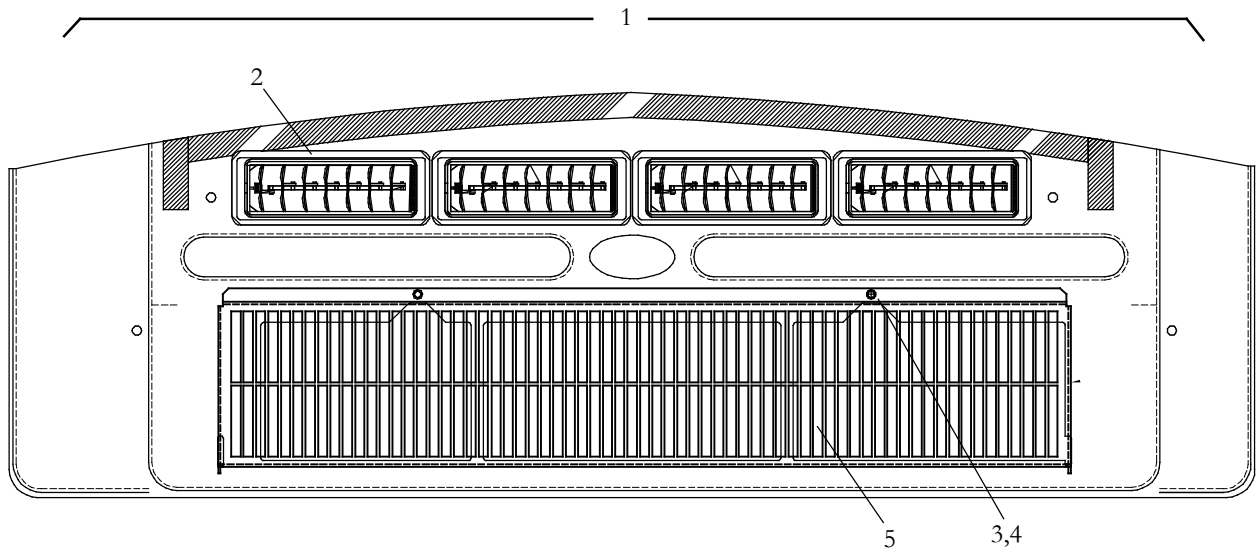
1.10.6 COVER ASSEMBLY, IW-1 - USE WITH 77-62160-06 : OPTION 4



Item	Part Number	Description	Qty
1	79-62096-02	Cover Assembly, IW-1, Grey (TBB FS65) C & D Type - Includes: (-06)	1
2	58-62042-00Diffuser, Air, Adjustable (Rectangular)	4
3	N/ANut, Retaining, Chimney Type, 1/4-20	2
4	801-307Screw, Knurled Slotted Head, 1/4-20 x 0.75 Inch Long, Nylon	2
5	38-00573-08Filter, Air, 34.00 X 6.40 X .25 Inch	1

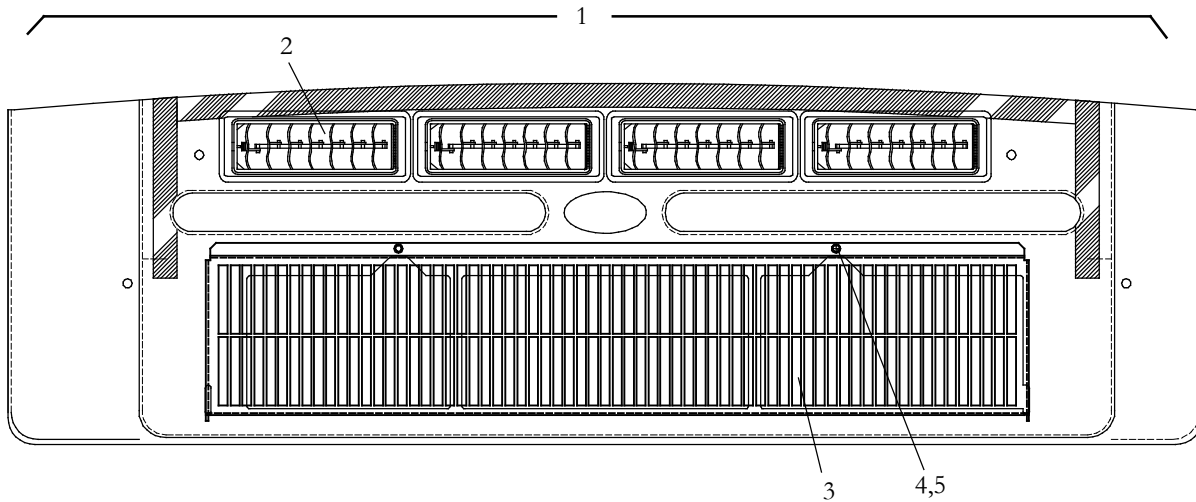


1.10.6 COVER ASSEMBLY, IW-1 - USE WITH 77-62160-05,-07,-11 & -26 : OPTION 5



Item	Part Number	Description	Qty
1	79-62096-04	Cover Assy, IW-1, TBB (C2), Grey, Includes: (-07 & -26)	1
	79-62096-05	Cover Assy, IW-1, TBB (C2), White, Includes: (-11)	1
2	58-62042-00Diffuser, Air, Adjustable (Rectangular)	4
3	N/ANut, Retaining	2
4	AC801-307Screw, Knurled Slotted Head, 1/4 - 20 x 3/4	2
5	38-00573-08Filter, Air, 34.00 X 6.40 X .25 Inch	1

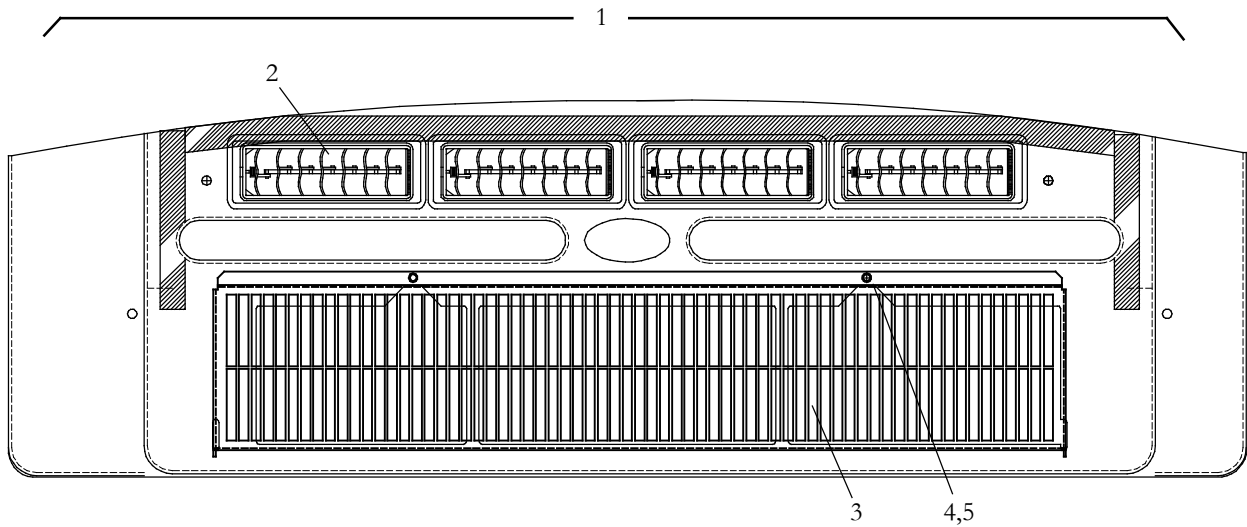
1.10.6 COVER ASSEMBLY, IW-1 - USE WITH 77-62160-10,-14,-16,-17,-28,-29,-81 & -83 : OPTION 6



Item	Part Number	Description	Qty
1	79-62097-00	Cover Assembly, Evaporator, Gray - Includes: (-10, -14, -17 & -83)	1
	79-62097-01	Cover Assy, IW-1, White , Includes: (77-62160-05,-16,-28,-29 & -81)	1
2	58-62042-00Diffuser, Air, Adjustable (Rectangular)	4
3	38-00573-08Filter, Air, 34.00 X 6.40 X .25 Inch	1
4	N/ANut, Retaining, Chimney Type, 1/4-20	2
5	AC801-307Screw, Knurled Slotted Head, 1/4-20 x 0.75 Inch Long, Nylon	2

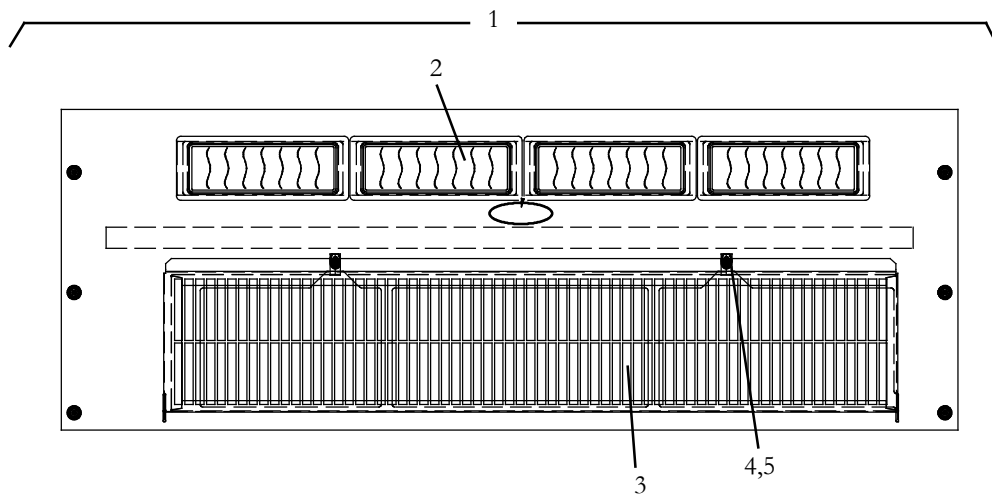


1.10.6 COVER ASSEMBLY, IW-1 - USE WITH 77-62160-12 & -13 : OPTION 7



Item	Part Number	Description	Qty
1	79-62096-06	Cover Assembly, Evaporator, BB (CE), Gray - Includes: (-13)	1
	79-62096-07	Cover Assembly, Evaporator, BB (CE), White - Includes: (-12)	1
2	58-62042-00Diffuser, Air, Adjustable (Rectangular)	4
3	38-00573-08Filter, Air, 34.00 X 6.40 X .25 Inch	1
4	N/ANut, Retaining, Chimney Type, 1/4-20	2
5	AC801-307Screw, Knurled Slotted Head, 1/4-20 x 0.75 Inch Long, Nylon	2

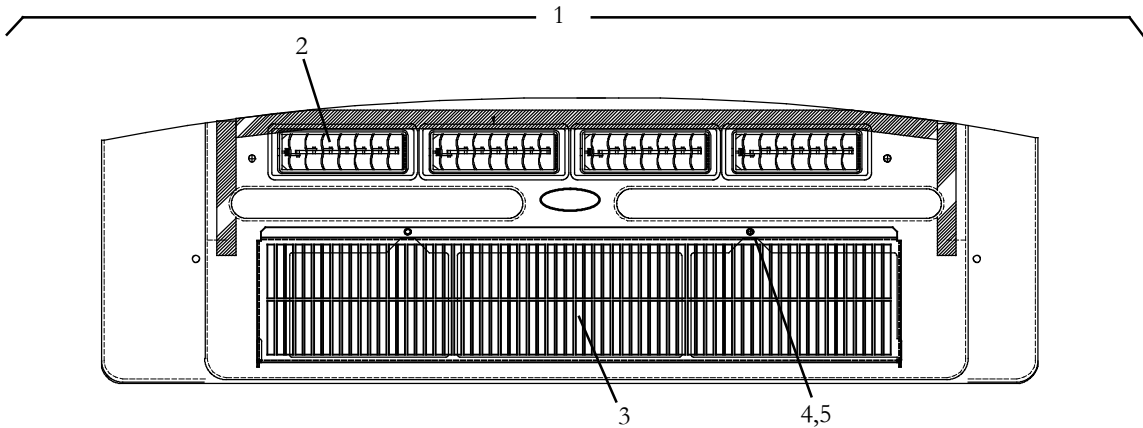
1.10.6 COVER ASSEMBLY, IW-1 - USE WITH MODELS 77-62160-22 & -23 : OPTION 8



Item	Part Number	Description	Qty
1	79-62118-00	Cover Assembly, Evaporator, Gray - Includes: (-22)	1
	79-62118-01	Cover Assembly, Evaporator, White - Includes: (-23)	1
2	58-62042-00Diffuser, Air, Adjustable (Rectangular)	4
3	38-00573-08Filter, Air, 34.00 X 6.40 X .25 Inch	1
4	N/ANut, Retaining, Chimney Type, 1/4-20	2
5	AC801-307Screw, Knurled Slotted Head, 1/4-20 x 0.75 Inch Long, Nylon	2

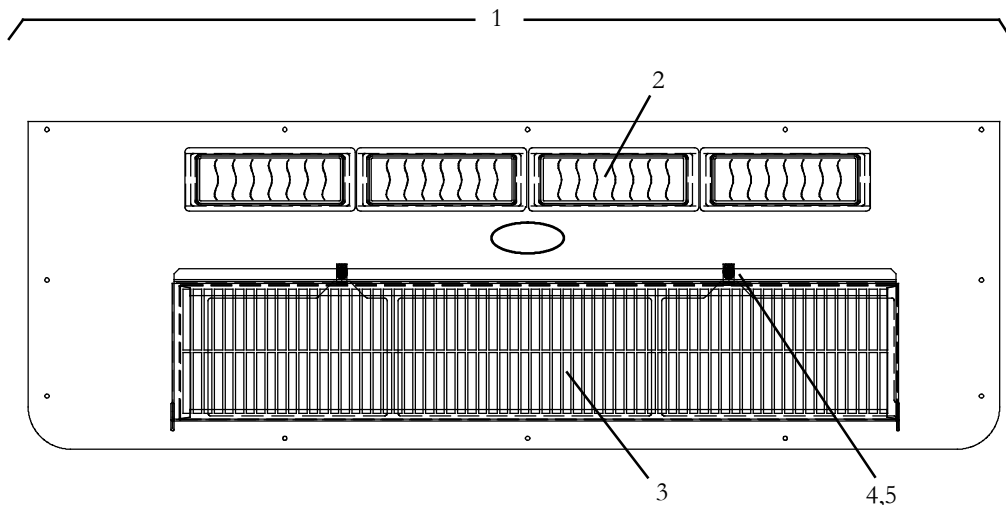


1.10.6 COVER ASSEMBLY, IW-1 - USE WITH MODELS 77-62160-20 & -21 : OPTION 9



Item	Part Number	Description	Qty
1	79-62096-08	Cover Assembly, Evaporator, BB (Microbird), Gray - Includes: (-21)	1
	79-62096-09	Cover Assembly, Evaporator, BB (Microbird), White - Includes: (-20)	1
2	58-62042-00Diffuser, Air, Adjustable (Rectangular)	4
3	38-00573-08Filter, Air, 34.00 X 6.40 X .25 Inch	1
4	N/ANut, Retaining, Chimney Type, 1/4-20	2
5	AC801-307Screw, Knurled Slotted Head, 1/4-20 x 0.75 Inch Long, Nylon	2

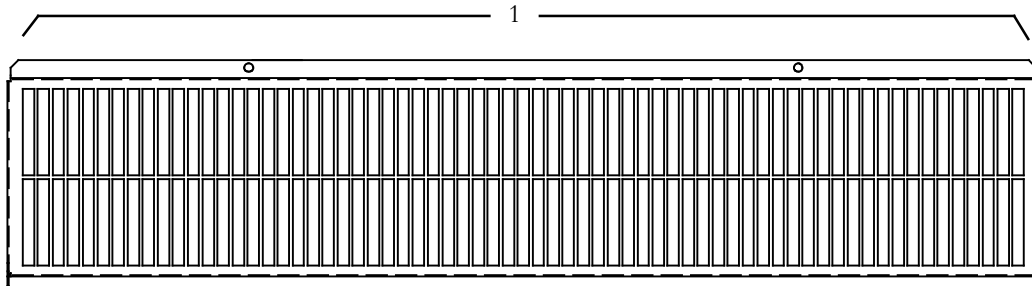
1.10.6 COVER ASSEMBLY, IW-1 - USE WITH MODELS 77-62160-24 & -25 : OPTION 10



Item	Part Number	Description	Qty
1	79-62118-02	Cover Assembly, Evaporator, Girardin, Gray - Includes: (-24)	1
	79-62118-03	Cover Assembly, Evaporator, Girardin, White - Includes: (-25)	1
2	58-62042-00Diffuser, Air, Adjustable (Rectangular)	4
3	38-00573-08Filter, Air, 34.00 X 6.40 X .25 Inch	1
4	N/ANut, Retaining, Chimney Type, 1/4-20	2
5	AC801-307Screw, Knurled Slotted Head, 1/4-20 x 0.75 Inch Long, Nylon	2

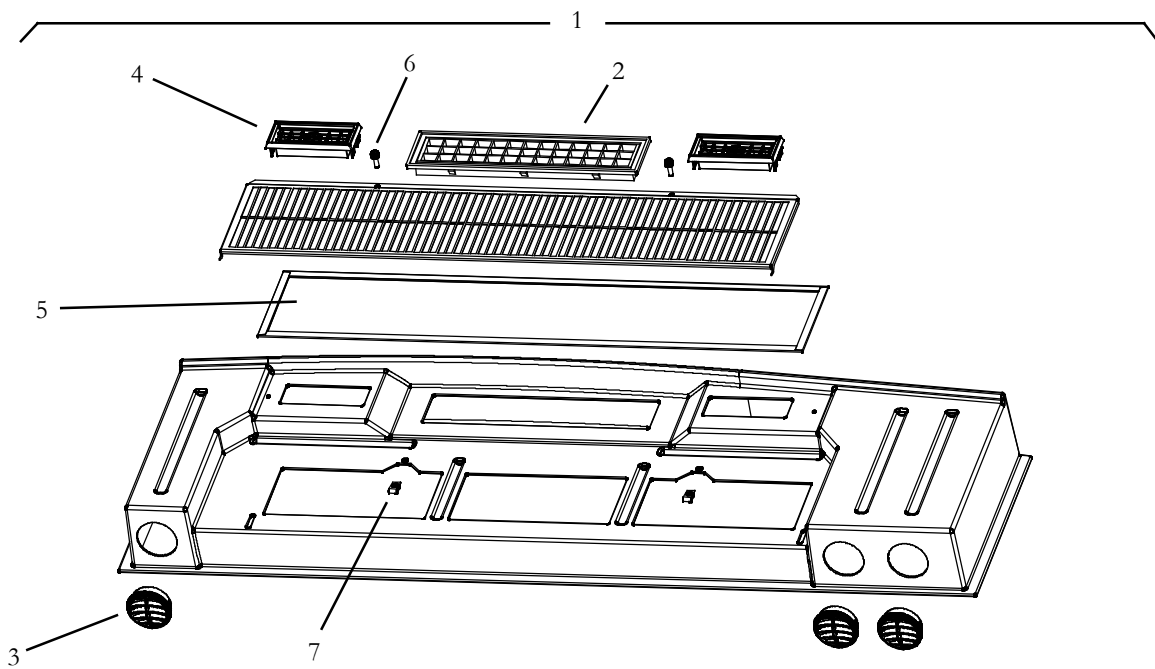


1.10.6 GRILLE, IW-1 - USE WITH MODELS 77-62160-03,-15, & -27 : OPTION 11



Item	Part Number	Description	Qty
1	68-08182-01	Grille, Black	1

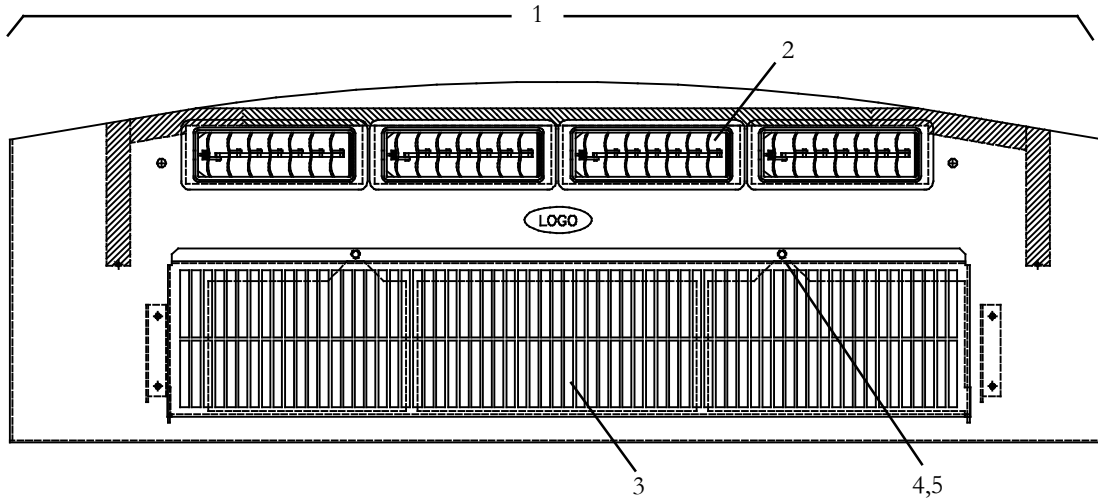
1.10.6 COVER ASSEMBLY, IW-1 - USE WITH 77-62160-18 : OPTION 12



Item	Part Number	Description	Qty
1	Y28-00023-00	Cover Assembly, Evaporator, Beige - Includes:	1
2	58-62209-00Diffuser, Air, Adjustable, (Rectangular)	1
3	Y23-00002-00Louver, Fixed, 2.5" (Round)	3
4	AC401-302Louver, Bezel, 2" x 5.5" (Rectangular)	2
5	38-00573-08Filter, Air, 34.00 X 6.40 X .25 Inch	1
6	N/ANut, Retaining, Chimney Type, 1/4-20	2
7	AC801-307Screw, Knurled Slotted Head, 1/4-20 x 0.75 Inch Long, Nylon	2



1.10.6 COVER ASSEMBLY, IW-1 - USE WITH MODELS 77-62160-32 & -33 : OPTION 13



Item	Part Number	Description	Qty
1	79-62088-04	Cover Assembly, Evaporator, Metal Cover, Oyster White - Includes:	1
2	58-62042-00Diffuser, Air, Adjustable (Rectangular)	4
3	38-00573-08Filter, Air, 34.00 X 6.40 X .25 Inch	1
4	N/ANut, Retaining, Chimney Type, 1/4-20	2
5	AC801-307Screw, Knurled Slotted Head, 1/4-20 x 0.75 Inch Long, Nylon	2



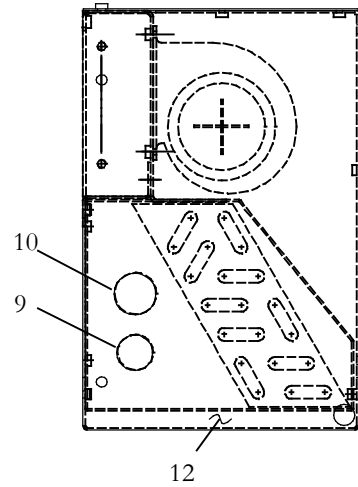
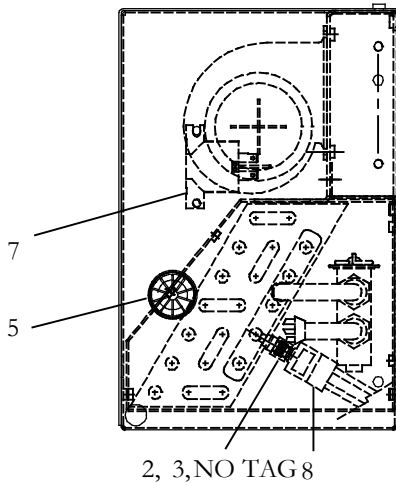
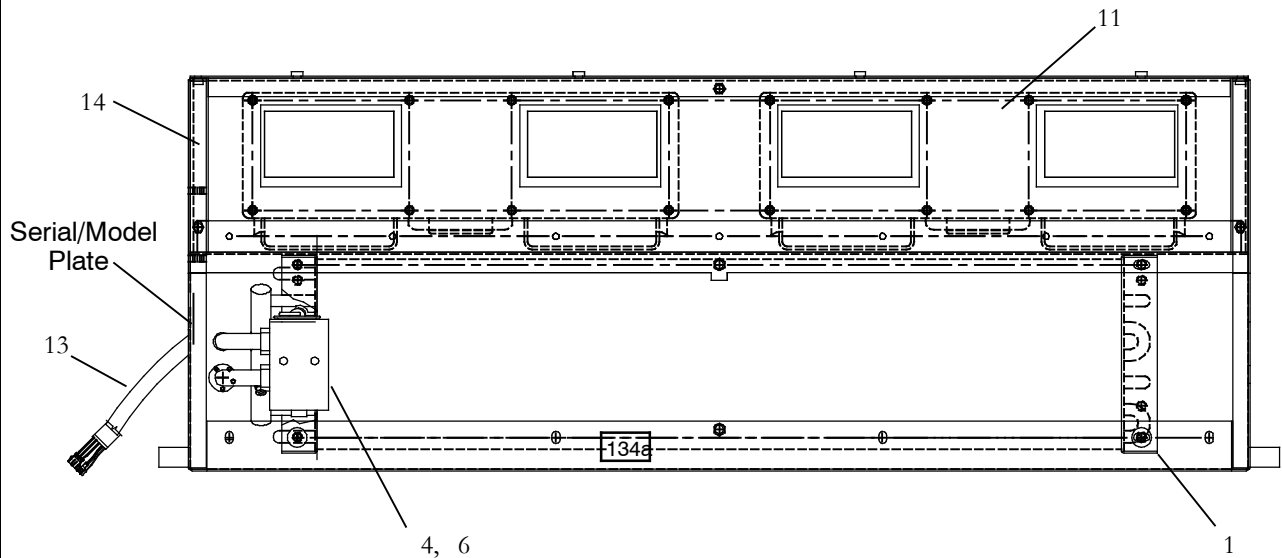
1.11 IW-2 IN-WALL EVAPORATORS

**OPTION TABLE - IW-2,
12 VDC - 3 Speed**

MODEL IW-2 77-62134	Cover Kit <small>(see Section 1.11.4)</small>	Chassis Kit <small>(see Section 1.11.1)</small>	Wire Harness <small>(see Section 1.11.3)</small>	Mount Brackets <small>(see Section 1.11.2)</small>
-00	2	1	1	-
-01	1	1	1	-
-02	2	1	1	1
-03	3	1	1	2
-04	3	1	1	2
-05	3	1	1	-
-06	3	1	1	-
-07	4	1	1	-
-08	4	1	1	-
-11	-	1	1	-
-12	5	1	1	-



1.11.1 EVAPORATOR, IW-2 - 77-62134-XX (All), COMMON PARTS: OPTION 1



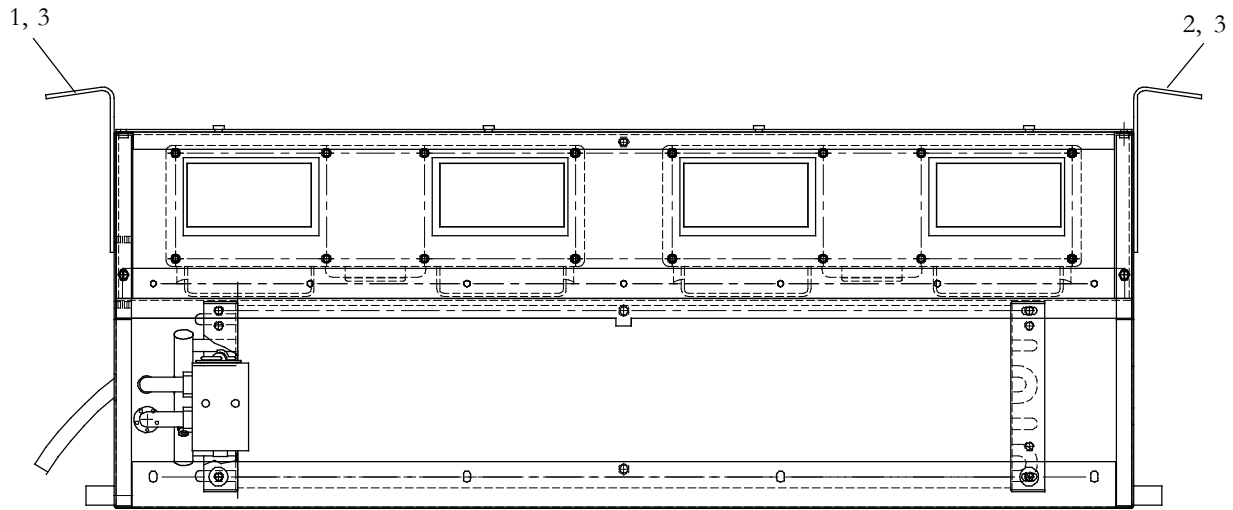
Item	Part Number	Description	Qty
-	NSS	Evaporator Chassis Assembly, IW-2 - Includes:	-
1	08-62045-01	...Coil, Evaporator, IW-2 - Includes:	1
2	40-00124-00Body, Valve, Schrader, Brass, 1/4 SAE Flare - Includes:	1
3	14-00351-00Core, Access Valve (Nickel Plated)	1
4	14-00397-00	...Valve, Thermal Expansion, (R134a)	1
5	58-00661-06	...Bushing, Nylon, 1-3/8 Inch Hole	1
6	AC801-202	...O-Ring, 1/2 Inch HNBR (Package of 10)	2
7	12-00685-00	...Thermostat, Freeze-Up, Non Adjustable	1
8	AC201-412	...Switch, Low Pressure	1



1.11.1 EVAPORATOR, IW-2, 77-62134-XX (All), COMMON PARTS: OPTION 1 (Con't)			
Item	Part Number	Description	Qty
9	58-00065-26	...Grommet, 0.75 I.D. X 1.06 Hole, .06 Inch Groove	2
10	58-00065-83	...Grommet, 1.00 ID X 1.25 Hole, .06 Inch Groove	2
11	AC401-203	...Blower Assembly, 12 VDC	2
12	AC022-313-2	...Baffle, Drain Pan	1
13	22-62282-00	...Harness, Evaporator, (12 VDC) - (SEE SECTION 1.11.3)	1
N.S.	42-00032-00	...Tape, Insulation, Presstite, 2.00 Inch X 30 Feet Long	1
14	AC801-414	...Gasket, Foam, 3/8 X 1 Inch, (25 Foot Roll)	1

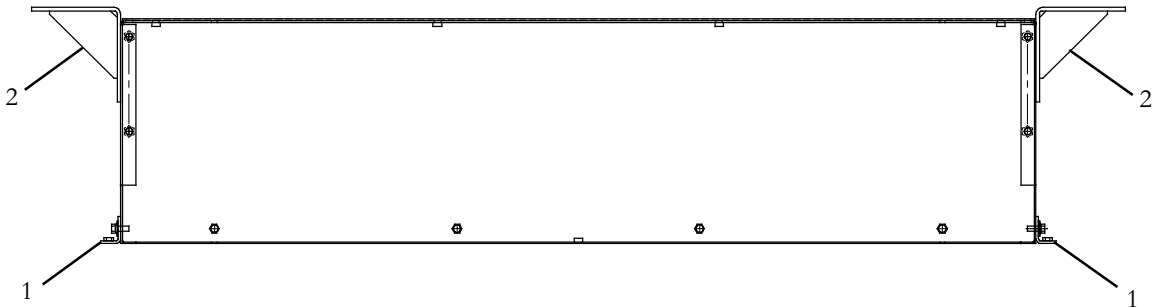


1.11.2 EVAPORATOR, IW-2 MOUNT BRACKETS (Used on 77-62134-02): OPTION 1



Item	Part Number	Description	Qty
1	68-63529-00	...Bracket, Evaporator Mounting	NSI
2	68-63529-01	...Bracket, Evaporator Mounting	NSI
3	N/A	...Screw, Hex Head, With Captive Washer, 1/4-20 X .75 Inch Long, SST	8

1.11.2 EVAPORATOR, IW-2 MOUNT BRACKETS (Used on 77-62134-03 & -04): OPTION 2

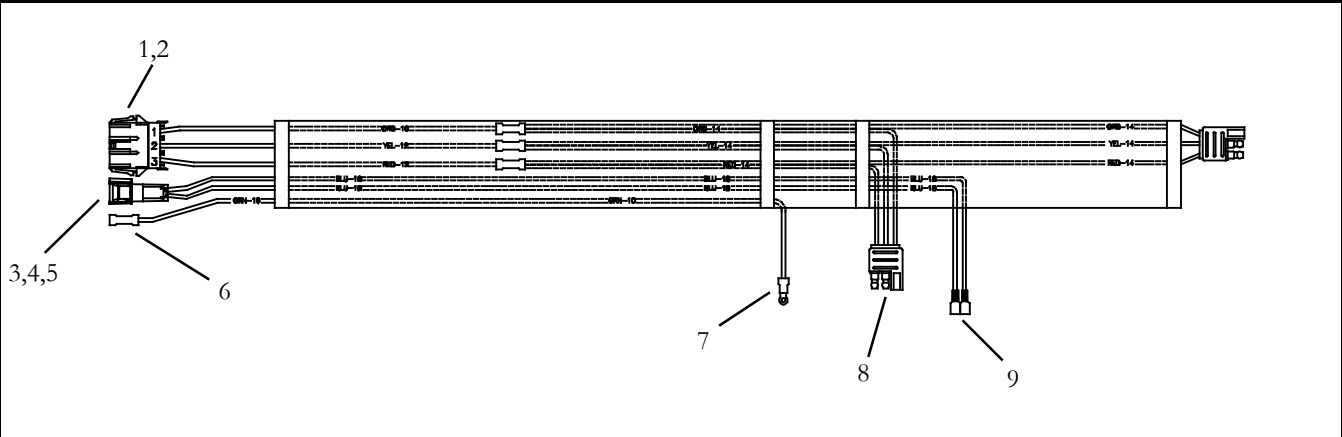


Item	Part Number	Description	Qty
1	68-63617-00	...Angle Assembly, Cover, IW-2	NSI
2	86-62449-00	...Bracket Assembly, Evaporator Mounting, IW-2 TBB SRW	NSI
3	N/A	...Bolt, Hex Head, 5/16-18 X .750 Inch Long, SST	6
4	N/A	...Washer, Split Lock, 5/16, SST	6
5	N/A	...Washer, Flat, 5/16, SST	6



NOTE: Complete Wire Harnesses are Non-Stock Items. Replacement Components are Listed and can be cross referenced to supplier part number in manual T-375PL.

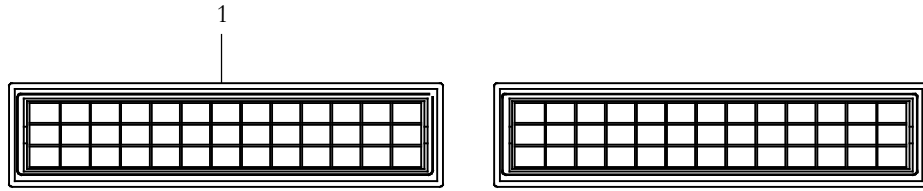
1.11.3 EVAPORATOR HARNESS, IW-2 12VDC (22-62282-00): OPTION 1



Item	Part Number	Description	Qty
1	22-50099-32	Connector, Plug Housing (3 position)	1
2	22-50099-32A	Terminal, Male, 10/12 AWG	3
3	22-50099-37	Connector, Male Unsealed	1
4	22-50099-37A	Terminal, Male, 16/18 AWG	2
5	22-50099-37D	Lock, Secondary	1
6	22-00066-03	Terminal, Butt Splice, 10/12 AWG	1
7	22-01140-02	Terminal, Ring #10, 10/12 AWG	1
8	22-62002-00	Connector,Electrical	2
9	22-01258-01	Terminal, Female Push-on, 18/22 AWG	2

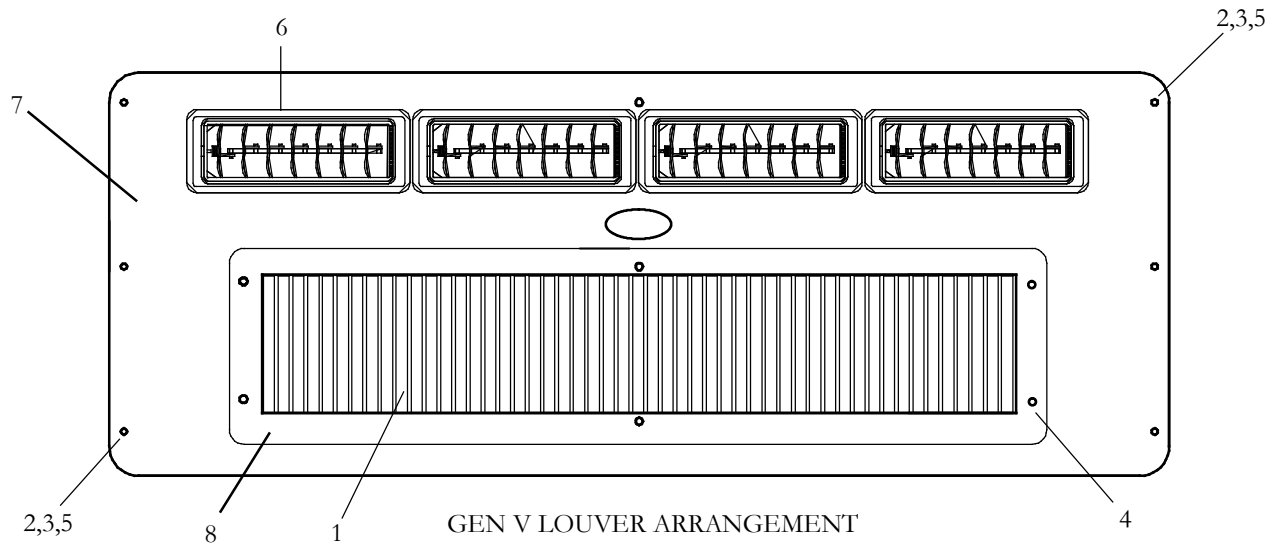


1.11.4 EVAPORATOR, IW-2, 77-62134-01 (GEN IV): OPTION 1



Item	Part Number	Description	Qty
1	AC401-320	Diffuser, Air, Fixed	2

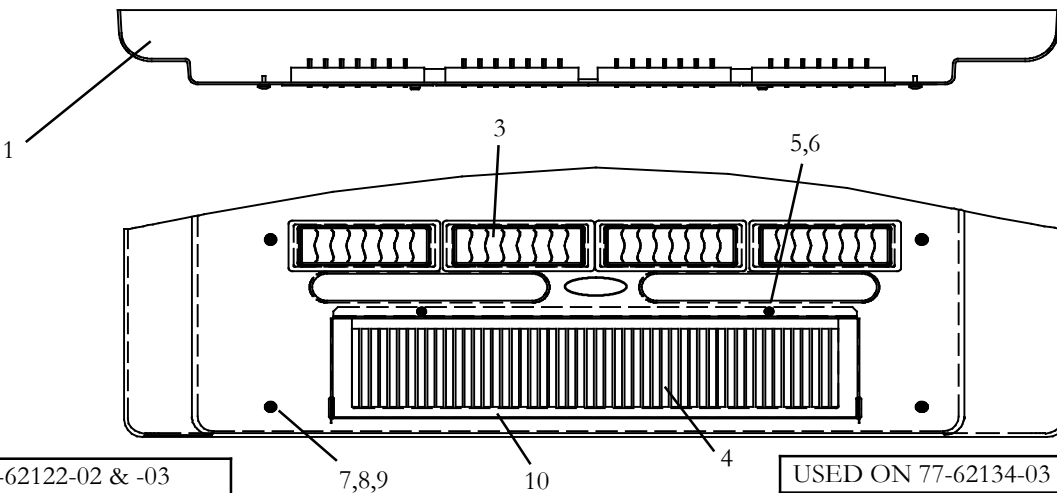
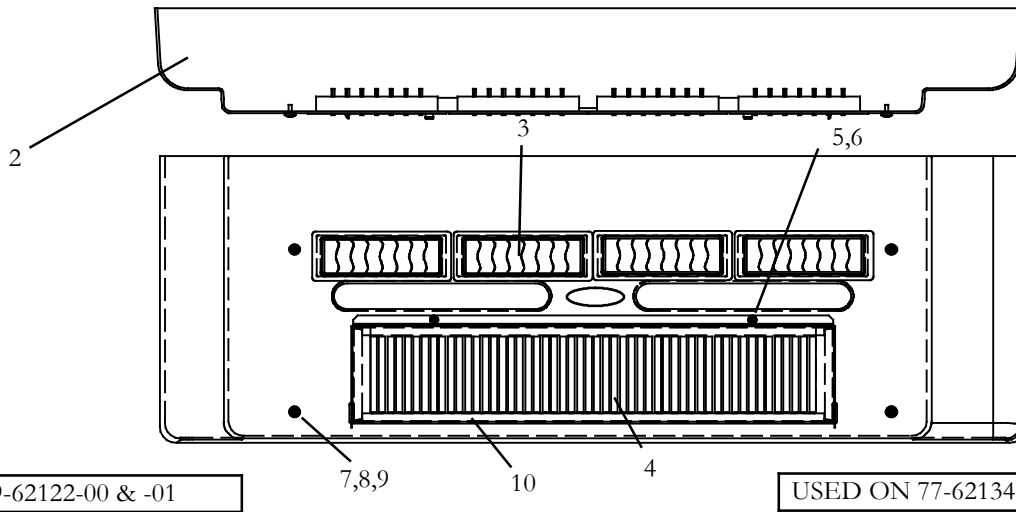
1.11.4 EVAPORATOR, IW-2, 77-62134-00 & -02: OPTION 2



Item	Part Number	Description	Qty
1	38-00573-06	Filter, Air, IW-2 (26.3 in. X 5.75 in.)	1
2	AC801-529	Washer, Snap Cap	13
3	AC801-531	Cap, Snap, White	13
4	N/A	Screw, Pan Head, TF, #10-16 X .63 Inch Long	6
5	N/A	Screw, Pan Head, #10-32 X .50 Inch Long, Zinc	7
6	58-62042-00	Diffuser, Air, Fixed (Rectangular, 3 x 7 Inches), (Used On -02 Assembly Only)	4
7	68-63703-00	Cover	1
8	68-07962-00	Grille	1



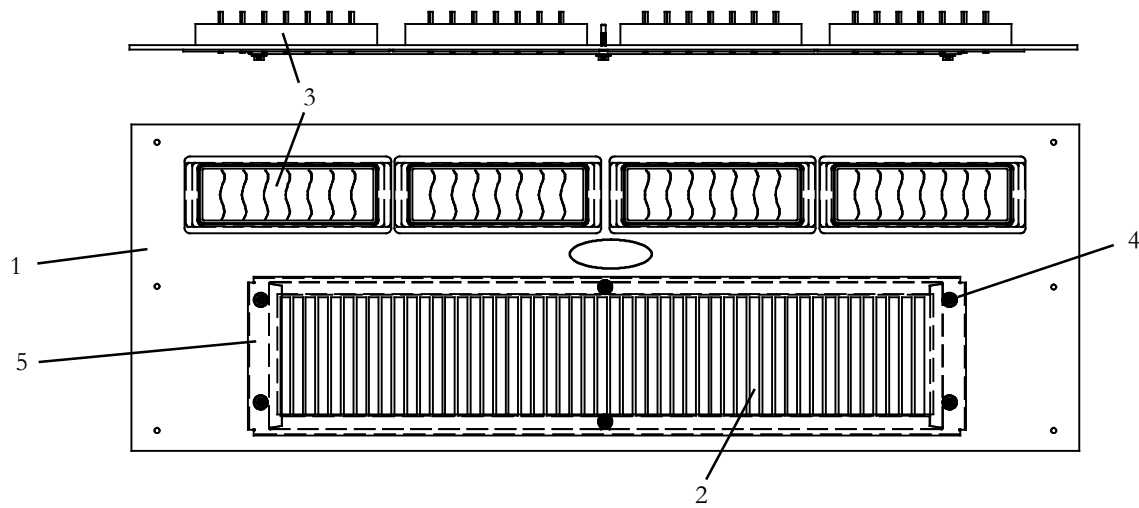
1.11.4 COVER ASSEMBLY, EVAPORATOR, IW-2 (77-62134-03, -04, -05 & -06): OPTION 3



Item	Part Number	Description	Qty
1	79-62122-02	Cover Assembly, IW2 Gray - Includes:	1
	79-62122-03	Cover, Assembly IW2 White - Includes:	1
2	79-62122-00	Cover Assembly, IW2 Gray - Includes:	1
	79-62122-01	Cover Assembly, IW2 White - Includes:	1
3	58-62042-00	Diffuser, Air, Adjustable (Rectangular)	4
4	38-00573-10	Filter, Air, IW-2 (27.88 in. X 5.75 in.)	1
5	N/A	Nut, Retaining, Tapped Hole-Chimney	2
6	AC801-307	Screw, ¼ - 20 Knurled Head	2
7	N/A	Screw, MACH PNHD, #10-32 X ¾ LG	4
8	AC801-529-2	Washer, .25 Dia. Snap Cap	NSI
9	AC801-531	Cap, Snap, White, (79-62122-00 & -02)	4
	AC801-532	Cap, Snap, Gray, (79-62122-01 & -03)	4
10	68-63754-00	Grille, IW2	1

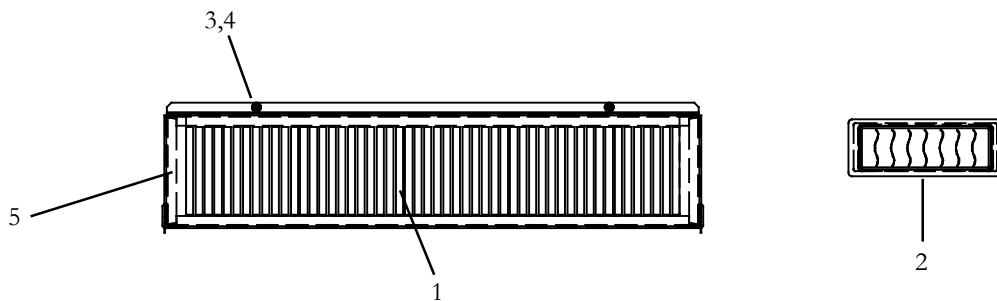


1.11.4 COVER ASSEMBLY, EVAPORATOR, IW-2 (77-62134-07 & -08): OPTION 4



Item	Part Number	Description	Qty
1	79-62117-01	Cover, IW2 Gray - Includes:	1
	79-62117-00	Cover, IW2 White - Includes:	1
2	38-00573-06	Filter, Air, IW-2 (26.3 in. X 5.75 in.)	1
3	58-62042-00	Diffuser, Air, Adjustable Rect.	4
4	N/A	Screw, Hex Washhd, #10 -32 x 1.25	6
5	68-63616-01	Grille, IW2	NSI

1.11.4 COVER ASSEMBLY, EVAPORATOR, IW-2 (77-62134-12) COMPONENTS SUPPLIED: OPTION 5



Item	Part Number	Description	Qty
1	38-00573-10	Filter, Air, IW-2 (27.88 in. X 5.75 in.)	1
2	58-62042-00	Diffuser, Air, Adjustable Rect.	4
3	N/A	Nut, Retaining, Tapped Hole-Chimney	2
4	AC801-307	Screw, 1/4 - 20 Knurled Head	2
N/S	N/A	Screw, Panhd, #10 -16 x .75 Black	6
N/S	AC801-414	Gasket, 3/8 x 1 in. soft	3 ln.ft.
5	68-63754-00	Grille, IW2	1



1.12 IW-4 IN-WALL EVAPORATORS

**OPTION TABLE - IW-4, 77-62230
12 VDC - 3 Speed**

MODEL IW-4 77-62230	Cover Kit <small>(see Section 1.12.3)</small>	Chassis Kit <small>(see Section 1.12.1)</small>	Wire Harness <small>(see Section 1.12.2)</small>
-00	1	1	1
-01	2	1	2

**OPTION TABLE - IW-4, Y19-IW401
12 VDC - 3 Speed**

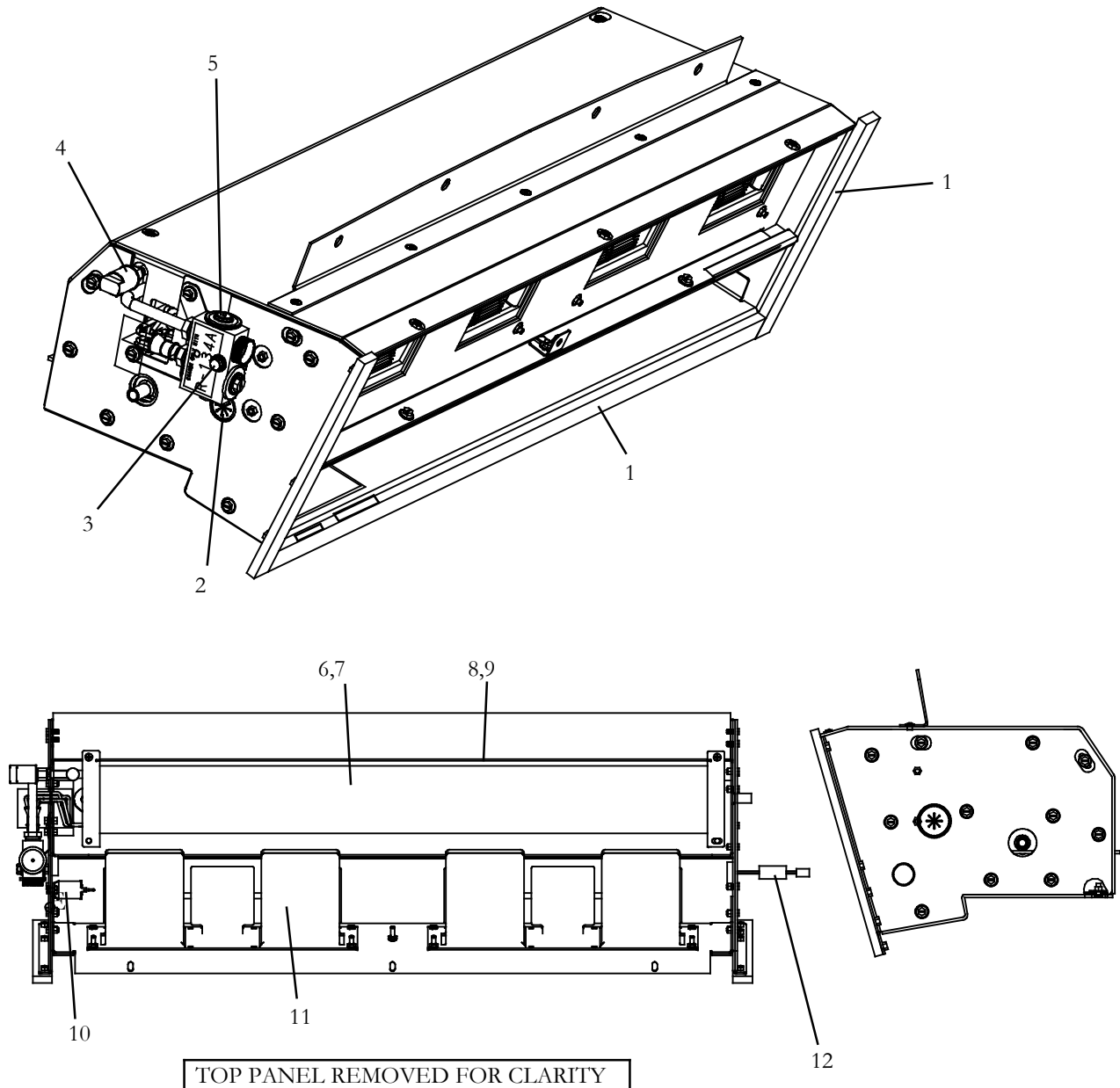
MODEL IW-4 Y19-IW401	Cover Kit <small>(see Section 1.12.3)</small>	Chassis Kit <small>(see Section 1.12.1)</small>	Wire Harness <small>(see Section 1.12.2)</small>
-00	1	2	4
-01	2	2	5
-02	-	2	3

**OPTION TABLE - IW-4, Y19-IW402
24 VDC - 3 Speed**

MODEL IW-4 Y19-IW401	Cover Kit <small>(see Section 1.12.3)</small>	Chassis Kit <small>(see Section 1.12.1)</small>	Wire Harness <small>(see Section 1.12.2)</small>
-00	-	2	3



1.12.1 EVAPORATOR, IW-4 (77-62230-00 & -01) : OPTION 1



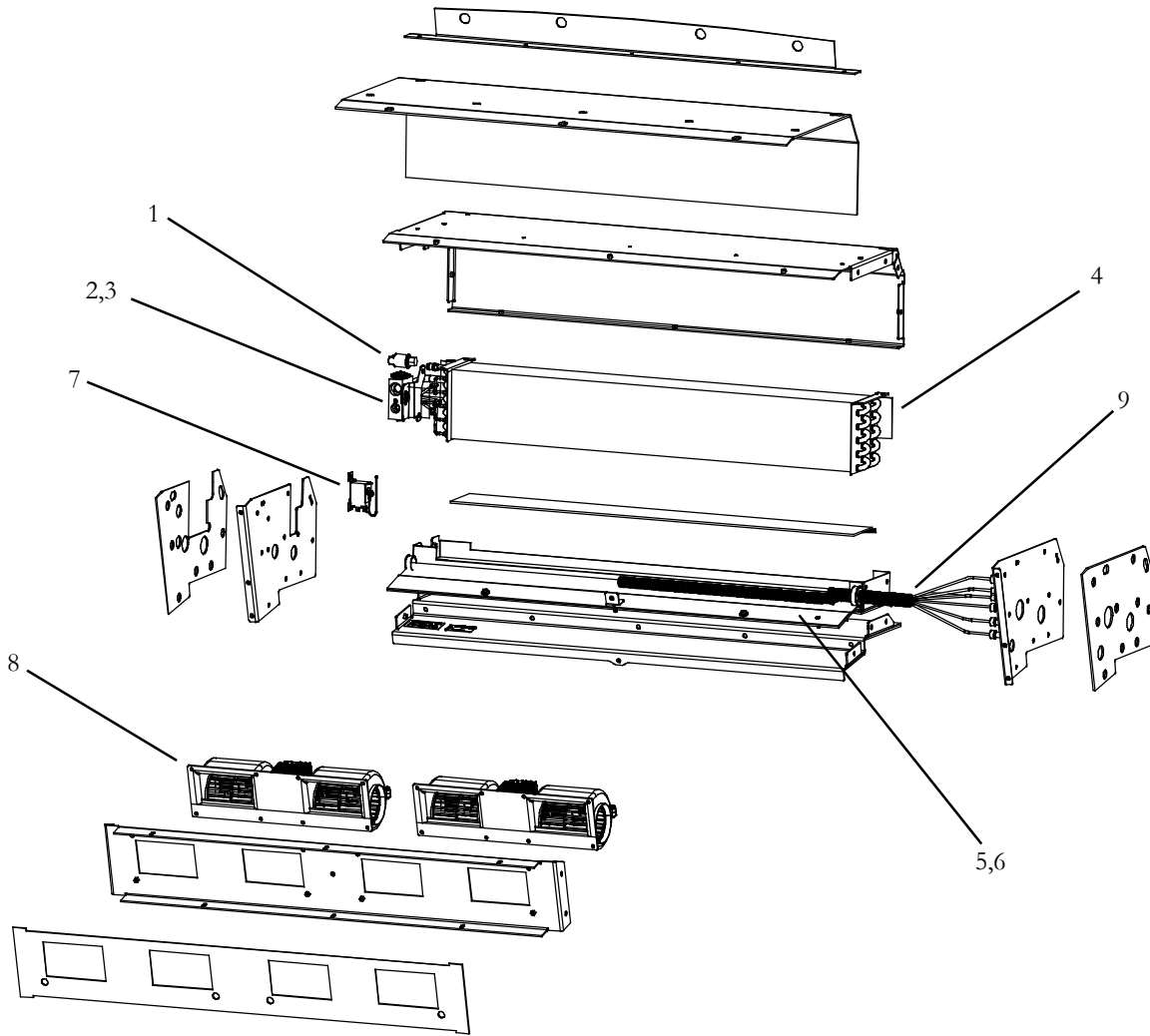
Item	Part Number	Description	Qty
N/S	77-62227-XX	Evaporator Chassis Assembly, IW-4 - Includes:	1
1	AC801-415	...Trim, Flexible	5 ft.
2	58-00661-04	...Bushing, 1.00 DIA Hole	1
3	AC701-101	...Nut, Speed, "J" Type ¼-20	1
4	AC201-412	...Pressure Switch, Low	1
5	14-00397-00	...Valve, Expansion	1
6	08-62080-00	...Coil, Evaporator, IW-4	1
7	AC022-743-9	...Gasket, ½ THK	NSI



1.12.1 EVAPORATOR, IW-4, (77-62230-00 & -01) - Continued: OPTION 1			
Item	Part Number	Description	Qty
8	86-62557-00	...Weld Assembly, Drain Pan	1
9	AC022-313-4	...Baffle, Drain Pan	1
10	12-00685-00	...Thermostat, Freeze Up Non-Adjustable	1
11	AC401-203	...Fan & Motor Assembly, 12 VDC	2
12	22-62294-00	...Harness, Evaporator, (Used on 77-62230-00) (See Section 1.12.2)	NSI
	Y25-00006-00	...Harness, Evaporator, (Used on 77-62230-01) (See Section 1.12.2)	NSI



1.12.1 EVAPORATOR, IW-4, Y19-IW401 and Y19-IW402 MODELS : OPTION 2

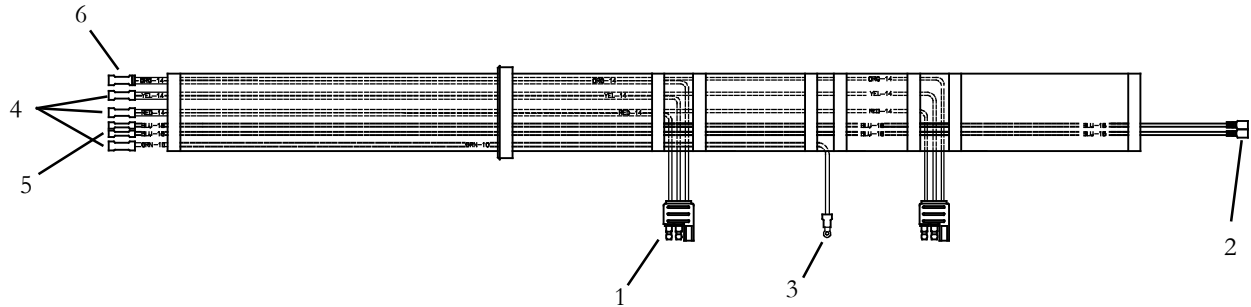


Item	Part Number	Description	Qty
1	201-412	Pressure Switch, Low	1
2	14-00397-00	Valve, Expansion	1
3	801-202	O-Ring, 1/2" HN BR	2
4	08-62080-00	Coil, Evaporator, IW-4	1
5	86-62557-00	Weld Assembly, Drain Pan	1
6	AC022-313-4	Baffle, Drain Pan	1
7	12-00685-00	Thermostat, Freeze Up Non-Adjustable	1
8	Y15-00002-00	Fan & Motor Assembly, 12 VDC	2
	Y15-00002-01	Fan & Motor Assembly, 24 VDC	2
9	NSI	Harness, Evaporator, (See Section 1.12.2)	1



NOTE: Complete Wire Harnesses are Non-Stock Items. Replacement Components are Listed and can be cross referenced to supplier part number in manual T-375PL.

1.12.2 EVAPORATOR HARNESS, IW-4 12VDC (22-62294-00 & Y25-00104-00) : OPTION 1

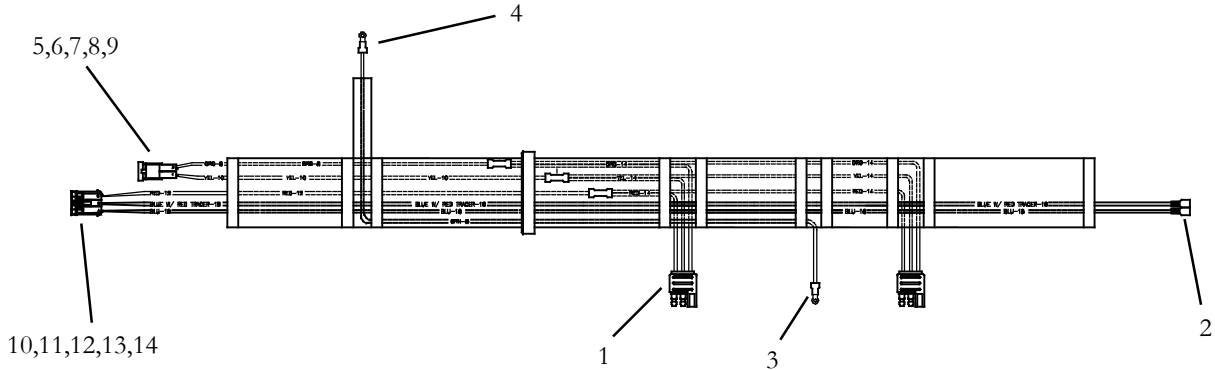


Item	Part Number	Description	Qty
1	22-62002-00	Connector, Plug (Motor)	2
2	22-01258-01	Terminal, Female Push-On, 18/22 AWG	2
3	22-01140-02	Terminal, Ring #10, 12/10 AWG	1
4	22-00066-03	Terminal, Butt Splice, 12/10 AWG	3
5	22-00066-01	Terminal, Butt Splice, 22/18 AWG	2
6	22-62221-02	Terminal, Butt, Step Down 12/10 - 8 AWG	1



NOTE: Complete Wire Harnesses are Non-Stock Items. Replacement Components are Listed and can be cross referenced to supplier part number in manual T-375PL.

1.12.2 EVAPORATOR HARNESS, IW-4 12VDC (Y25-00006-00 & Y25-00105-00): OPTION 2

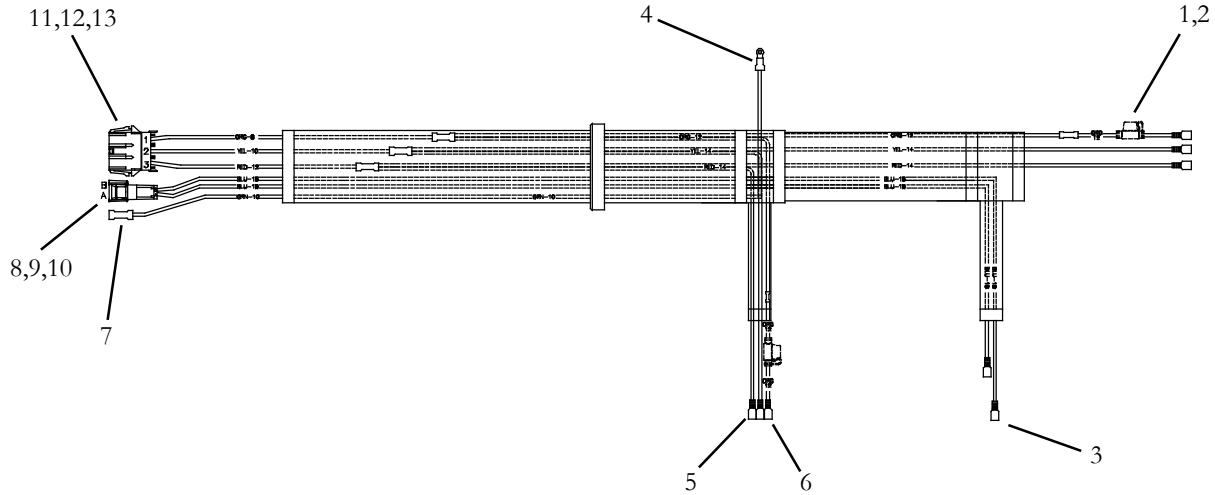


Item	Part Number	Description	Qty
1	22-62002-00	Connector, Plug (Motor)	2
2	22-01258-01	Terminal, Female Push-On, 18/22 AWG	2
3	22-00872-01	Terminal, Ring #10, 8 AWG	1
4	22-00872-03	Terminal, Ring, 5/16, 8 AWG	1
5	22-50098-67	Connector, 2 Pin Male	1
6	22-50098-67A	Terminal, Male, 10 AWG	1
7	22-50098-67B	Terminal, Male, 7-9 AWG	1
8	22-50098-67C	Cable Seal, 10 AWG	1
9	22-50098-67D	Cable Seal, 7-9 AWG	1
10	22-50078-86	Connector, 3 Pin Male	1
11	22-50078-49A	Terminal, Male, 18 AWG	2
12	22-50078-49C	Terminal, Male, 12 AWG	1
13	22-50078-53C	Cable Seal, 18 AWG	2
14	22-50078-53D	Cable Seal, 12 AWG	1



NOTE: Complete Wire Harnesses are Non-Stock Items. Replacement Components are Listed and can be cross referenced to supplier part number in manual T-375PL.

1.12.2 EVAPORATOR HARNESS, IW-4 12VDC (Y25-00115-00): OPTION 3

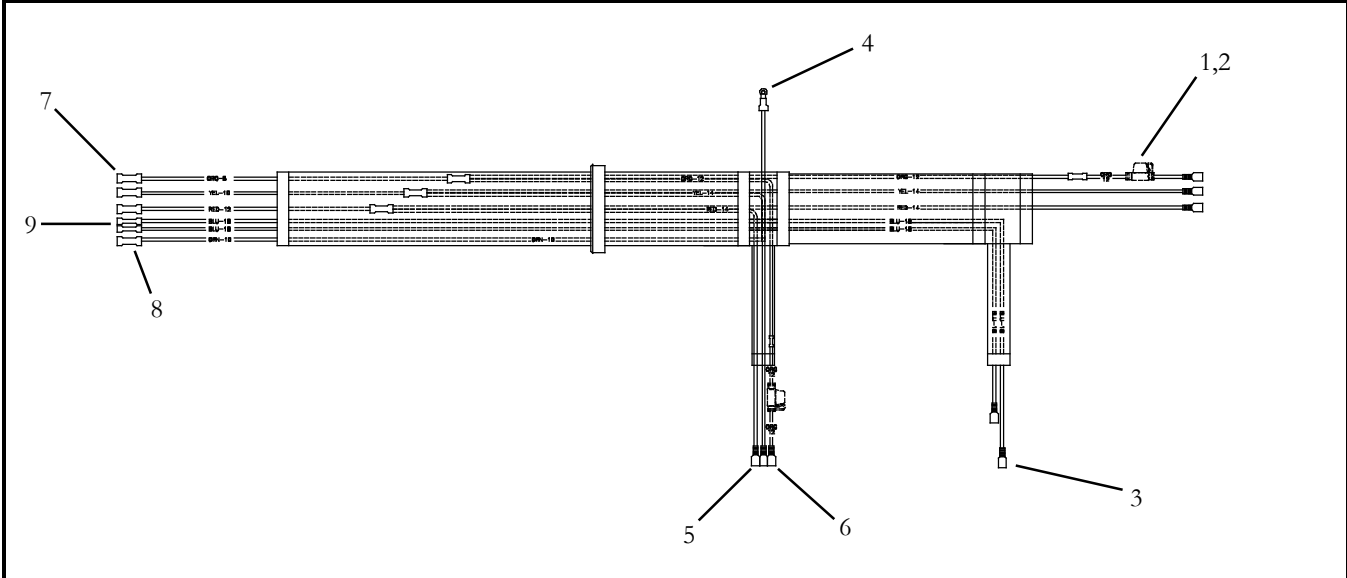


Item	Part Number	Description	Qty
1	22-02338-07	Fuseholder w/Cap	2
2	22-02336-25	Mini-Fuse, 20A	2
3	22-01258-01	Terminal, Female Push-On, 18/22 AWG	2
4	22-01140-02	Terminal, Ring #10, 12-10 AWG	1
5	22-01141-01	Terminal, Female Push-On, 1/4" - 14/16 AWG	4
6	31-1247	Terminal, Female Push-On, 1/4" - 10/12 AWG	2
7	22-00066-03	Terminal, Butt Splice, 12-10AWG	1
8	22-50099-37	Connector, Male, Unsealed, M/P 280 Delphi	1
9	22-50099-37A	Terminal, Male, 16/18AWG	2
10	22-50099-37D	TPA	1
11	22-50099-32	Connector, 3 Way, Molex	1
12	22-50099-32A	Terminal, Male, 10/12AWG	2
13	22-50099-32B	Terminal, Male, 8AWG	1



NOTE: Complete Wire Harnesses are Non-Stock Items. Replacement Components are Listed and can be cross referenced to supplier part number in manual T-375PL.

1.12.2 EVAPORATOR HARNESS, IW-4 12VDC (Y25-00115-02): OPTION 4

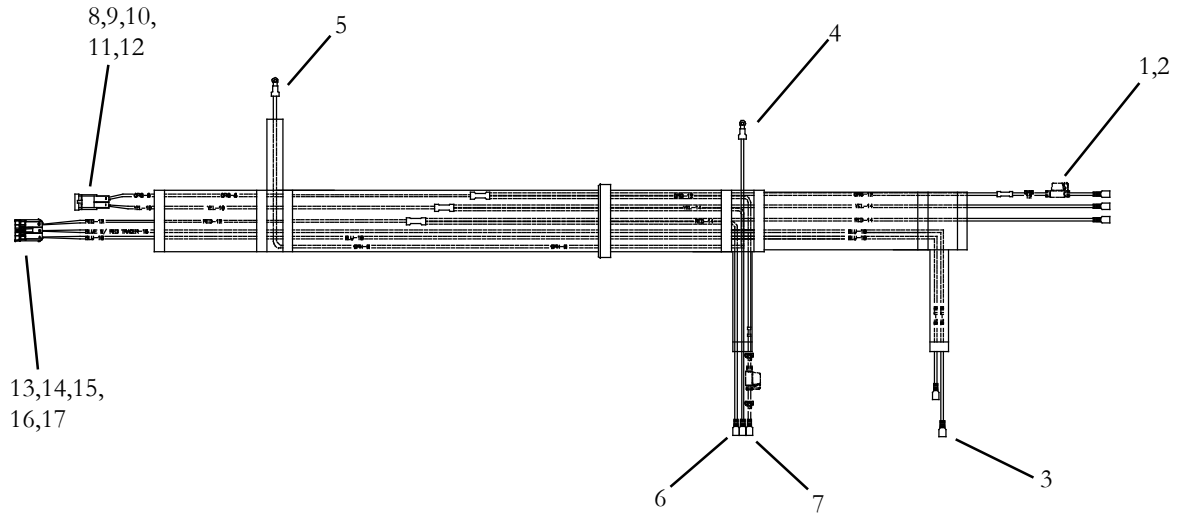


Item	Part Number	Description	Qty
1	22-02338-07	Fuseholder w/Cap	2
2	22-02336-25	Mini-Fuse, 20A	2
3	22-01258-01	Terminal, Female Push-On, 18/22 AWG	2
4	22-01140-02	Terminal, Ring #10, 12-10 AWG	1
5	22-01141-01	Terminal, Female Push-On, 1/4" - 14/16 AWG	4
6	31-1247	Terminal, Female Push-On, 1/4" - 10/12 AWG	2
7	REF	Terminal, Butt Splice, 8AWG, Heat Sealable, (Molex part# 19164-0079)	1
8	REF	Terminal, Butt Splice, 12-10AWG, Heat Sealable, (Molex part# 19164-0056)	3
9	REF	Terminal, Butt Splice, 22-18AWG, Heat Sealable, (Molex part# 19164-0013)	2



NOTE: Complete Wire Harnesses are Non-Stock Items. Replacement Components are Listed and can be cross referenced to supplier part number in manual T-375PL.

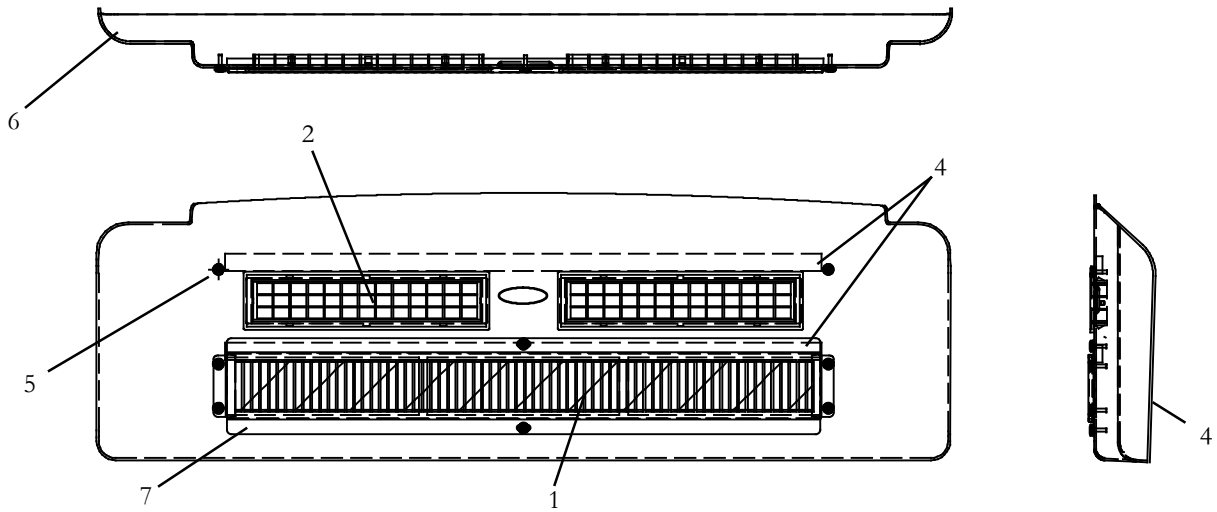
1.12.2 EVAPORATOR HARNESS, IW-4 12VDC (Y25-00115-03): OPTION 5



Item	Part Number	Description	Qty
1	22-02338-07	Fuseholder w/Cap	2
2	22-02336-25	Mini-Fuse, 20A	2
3	22-01258-01	Terminal, Female Push-On, 18/22 AWG	2
4	22-00872-01	Terminal, Ring #10, 8AWG	1
5	22-00872-03	Terminal, Ring 5/16", 8AWG	1
6	22-01141-01	Terminal, Female Push-On, 1/4" - 14/16 AWG	4
7	31-1247	Terminal, Female Push-On, 1/4" - 10/12 AWG	2
8	22-50098-67	Connector, Male, 2 Way, Tyco	1
9	22-50098-67A	Terminal, Male, 10AWG	1
10	22-50098-67C	Cable Seal, 10AWG	1
11	22-50098-67B	Terminal, Male, 7/9AWG	1
12	22-50098-67D	Cable Seal, 7/9AWG	1
13	22-50078-86	Connector, 3 Way, Metripack 630 Series	1
14	22-50078-49A	Terminal, Male, 18AWG	2
15	22-50078-49C	Terminal, Male, 12AWG	1
16	REF	Cable Seal, 18 AWG, (12059259)	2
17	REF	Cable Seal, 12 AWG, (12059260)	1



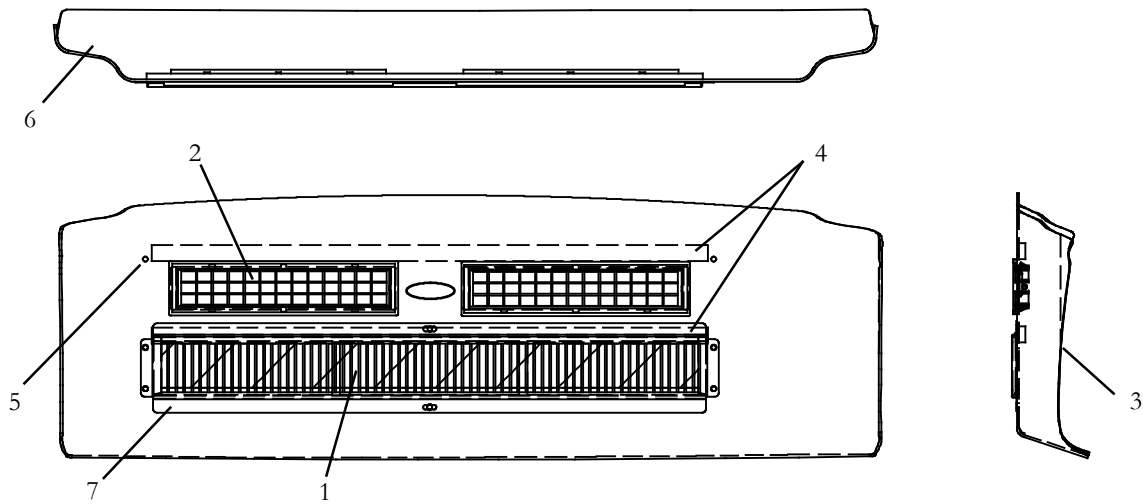
1.12.3 COVER ASSEMBLY, IW-4 USED ON (77-62230-00): OPTION 1



Item	Part Number	Description	Qty
-	79-62119-00	Cover Assembly, IW-4, TBB C2 Aftermarket, INCLUDES:	1
1	38-00573-11	...Filter, Air	1
2	58-62209-00	...Diffuser, Air	2
3	AC801-412	...Trim, Flexible	10.8 ft.
4	AC801-414	...Gasket	5.8 ft.
5	AC-801-529-2	...Washer, .25 DIA. Snap Cap	8
6	58-62156-12	...Cover, White	1
7	68-63808-01	...Grille	1



1.12.3 COVER ASSEMBLY, IW-4 USED ON (77-62230-01): OPTION 2



Item	Part Number	Description	Qty
-	79-62119-01	Cover Assembly, IW-4, TBB C2, OEM, INCLUDES:	1
1	38-00573-11	...Filter, Air	1
2	58-62209-00	...Diffuser, Air	2
3	AC801-412	...Trim, Flexible	10.8 ft.
4	AC801-414	...Gasket	5.8 ft.
5	AC-801-529-2	...Washer, .25 DIA. Snap Cap	8
6	Y28-00014-00	...Cover, Gray	NSI
7	68-63808-01	...Grille	1



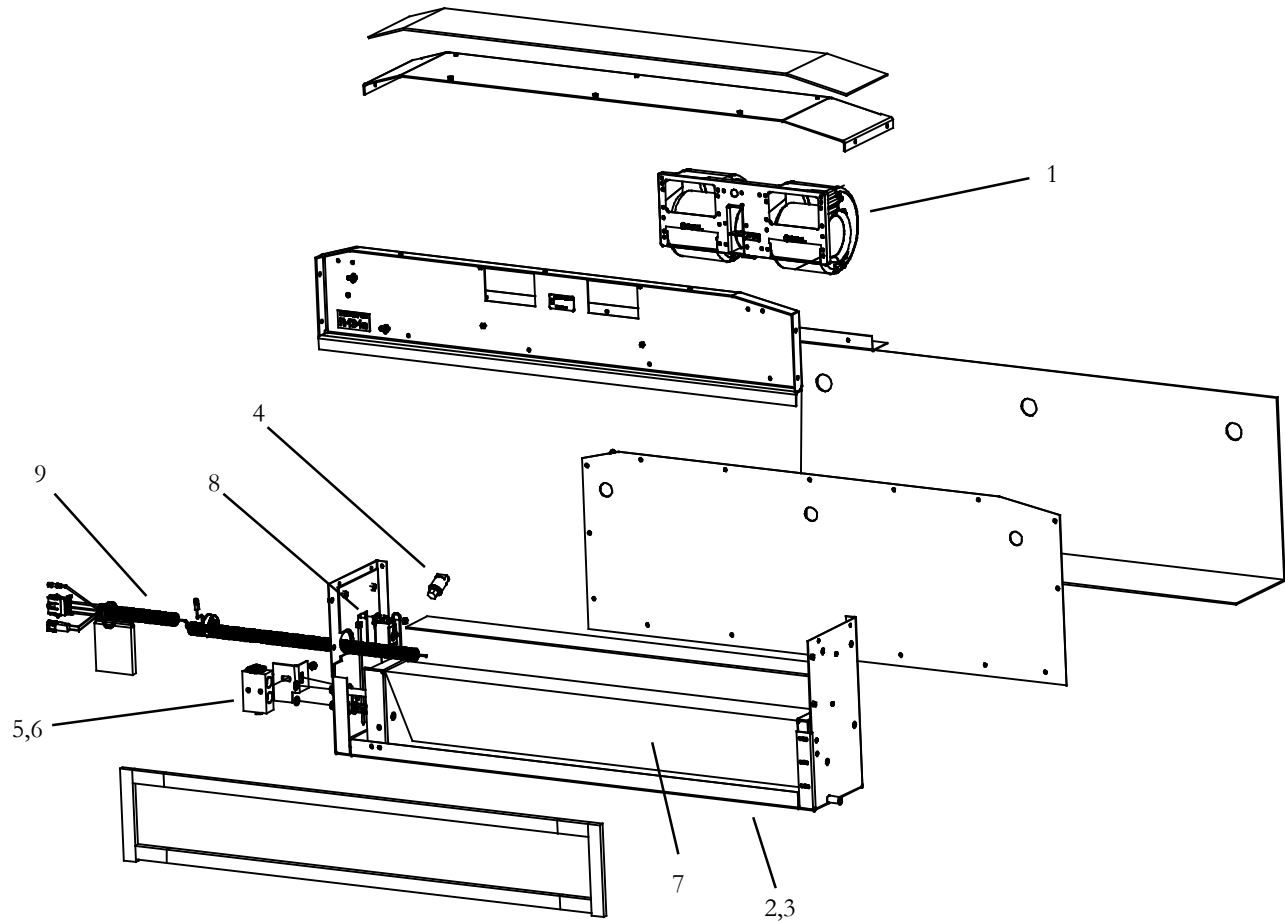
1.13 IW-5 IN-WALL EVAPORATORS

**OPTION TABLE - IW-5,
12 VDC - 3 Speed**

MODEL IW-5 Y19-IW501	Cover Kit <small>(see Section XXX)</small>	Chassis Kit <small>(see Section 1.13.1)</small>	Wire Harness <small>(see Section 1.13.2)</small>	Mount Brackets <small>(see Section 1.13.3)</small>
-00	-	1	1	1
-01	-	1	1	1



1.13.1 EVAPORATOR, IW-5, Y19-IW501-00: OPTION 1



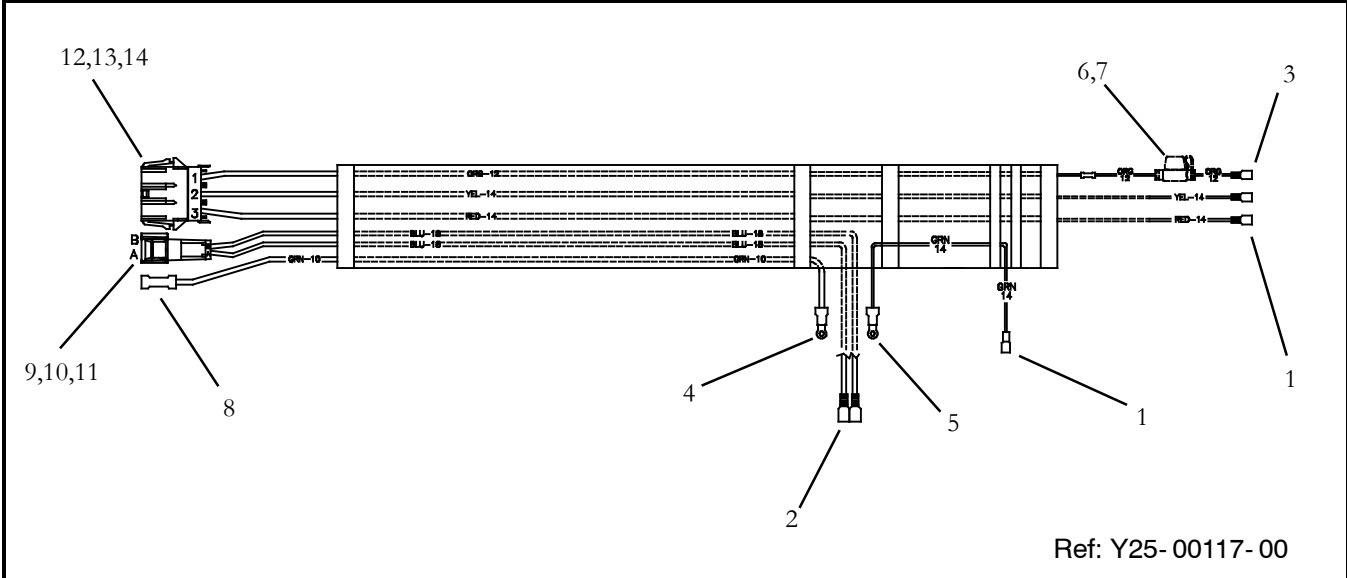
Ref: Y73- IW501- 00, -01 & -10

Item	Part Number	Description	Qty
-	-	Evaporator Chassis Assembly, IW-5 - Includes:	NSI
1	Y15-00003-00	...Blower Assembly, 12V	1
2	86-62460-00	...Drain Pan, Weld Assembly	1
3	022-313-1	...Baffle, Drain Pan	1
4	201-412	...Pressure Switch, Low	1
5	14-00397-00	...Valve, Expansion	1
6	801-202	...O-Rings, 1/2" HNBR	2
7	08-62056-01	...Coil, Evaporator, IW-5	1
8	12-00685-00	...Thermostat, Freeze	1
9	Y25-00117-00	...Wire Harness (See Section 1.13.2)	NSI



NOTE: Complete Wire Harnesses are Non-Stock Items. Replacement Components are Listed and can be cross referenced to supplier part number in manual T-375PL.

1.13.2 EVAPORATOR HARNESS , IW-5: OPTION 1

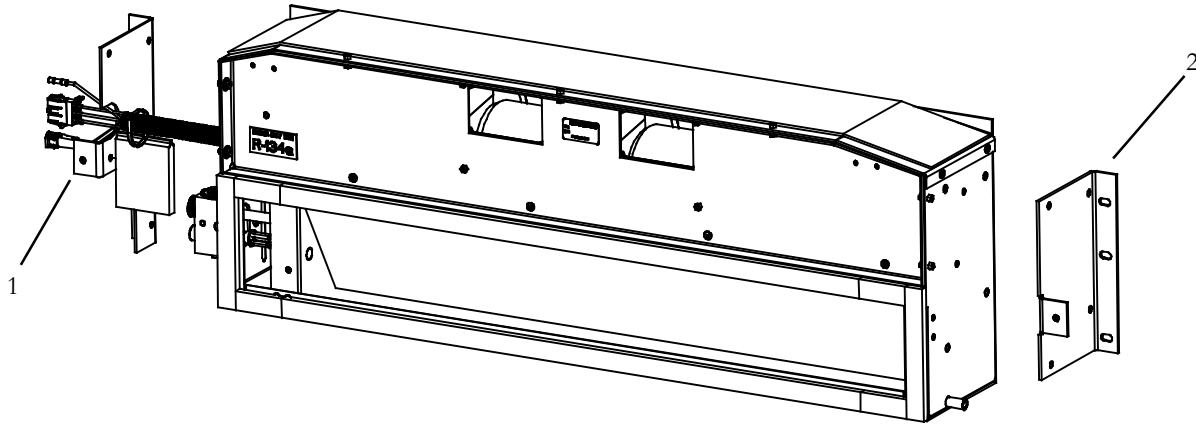


Ref: Y25- 00117- 00

Item	Part Number	Description	Qty
1	22-01141-01	Terminal, Female Push-On, 16/14 AWG	3
2	22-01258-01	Terminal, Female Push-On, 18/22 AWG	2
3	31-1247	Terminal, Female Push-On, 12/10 AWG	1
4	22-01140-02	Terminal, Ring #10, 12/10 AWG	1
5	22-01139-02	Terminal, Ring #10, 16/14 AWG	1
6	22-02338-07	Fuse Holder w/Cap	1
7	22-02336-25	Fuse, Mini, 20A	1
8	22-00066-03	Terminal, Butt Splice 12/10 AWG	1
9	22-50099-37	Connector, Male, Unsealed	1
10	22-50099-37A	... Terminal, Male, 16/18 AWG	2
11	22-50099-37D	... TPA	1
12	22-50099-32	Connector, Plug Housing 3 Way	1
13	Y31-00033-01	... Terminal, Male, 10/12 AWG	1
14	Y31-00033-02	... Terminal, Male, 14/16 AWG	2



1.13.3 EVAPORATOR MOUNTING BRACKETS, IW-5: OPTION 1



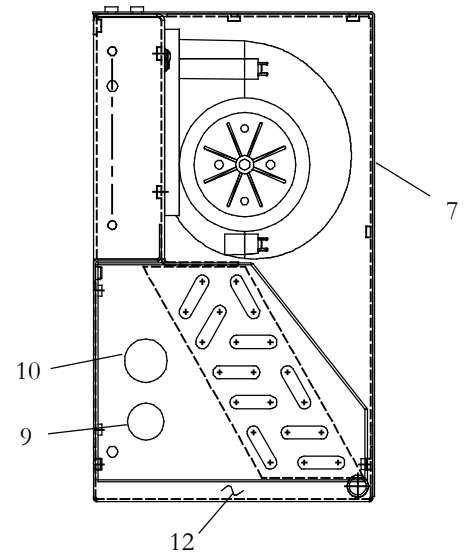
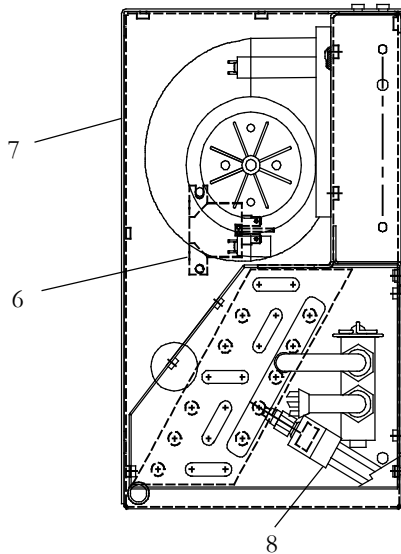
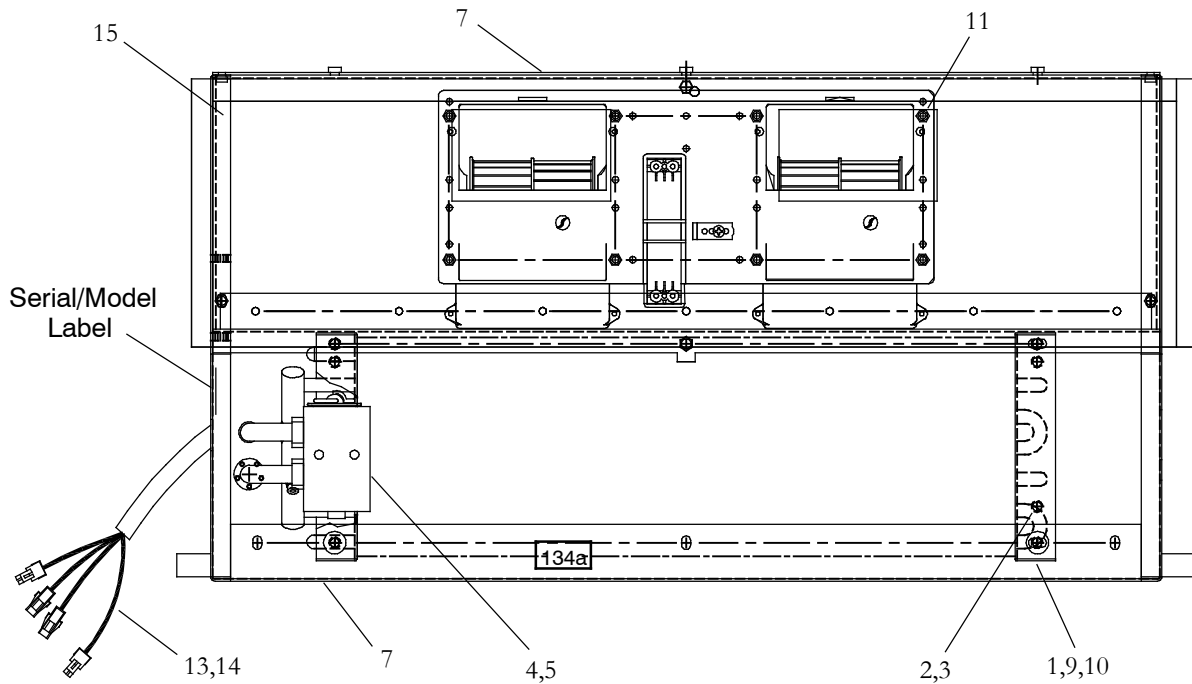
Ref: Y73- IW501- 10

Item	Part Number	Description	Qty
1	Y24-00186-00	Bracket, Mounting, BB-CV/T3	NSI
2	Y24-00187-00	Bracket, Mounting, BB-CV/T3	NSI



1.14 IW-7 IN-WALL EVAPORATORS

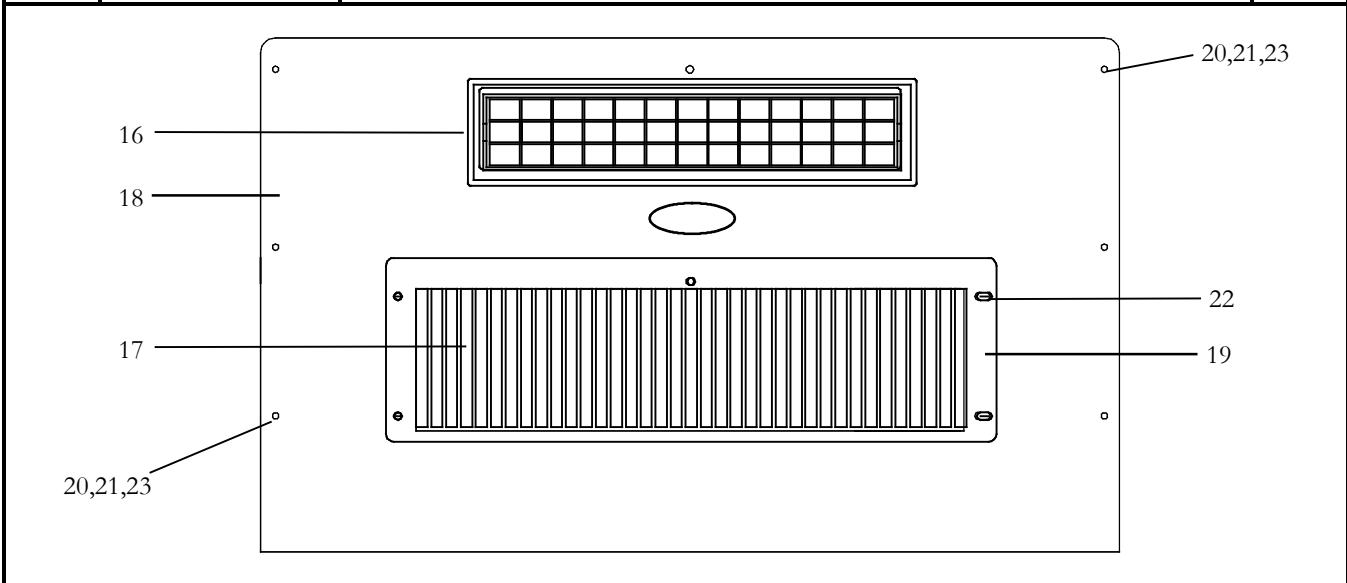
1.14.1 EVAPORATOR, IW-7 (77-62131-00)



Item	Part Number	Description	Qty
-	NSS	Evaporator Chassis Assembly, IW-7 - Includes:	1
1	08-62045-00	...Coil, Evaporator, IW-7 - Includes:	1
2	40-01124-00Body, Valve, Schrader, Brass, 1/4 SAE Flare - Includes:	1



1.14.1 EVAPORATOR, IW-7, (77-62131-00) - Continued:			
Item	Part Number	Description	Qty
3	14-00351-00Core, Access Valve, (Nickel Plated)	1
4	14-00397-00	...Valve, Thermal Expansion Block, (R134a)	1
5	AC801-202	...O-Ring, 1/2 Inch HNBR	2
6	12-00547-00	...Thermostat, Freeze-Up, Non Adjustable	1
7	AC801-416	...Gasket, Foam, 1/8 X 12-3/4 Inch (25 Ft. Roll)	1
8	AC201-412	...Switch, Low Pressure	1
9	58-00065-26	...Grommet, 3/4 Inch I.D.	2
10	58-00065-83	...Grommet, 1 Inch I.D.	2
11	54-00606-00	...Fan & Motor Assembly, Permanent Magnet, 12 VDC	1
12	AC022-313-3	...Baffle, Drain Pan	1
13	22-62175-00	...Harness, Evaporator, IW-7, Includes:	NSI
14	AC201-600Diode, 6 Amp, 250 Volt	1
N/S	42-00032-01	...Tape, Insulation, Presstite, 2.00 X 48.00 Inches Long	1
15	AC801-414	...Gasket, Foam, 3/8 X 1.00 Inch, (25 Foot Roll)	1
16	AC401-320	Diffuser, Air, EM-1/2/3/6, GEN 3 (Used With OEM Supplied Grill Assy)	1
17	38-00573-05	Filter, Air, IW-7, (5.5 X 19. Inches) (Used With OEM Supplied Grill Assy)	1
18	68-07965-00	Cover	1
19	68-07965-00	Grille	1
20	AC801-529	Washer, Snap Cap	12
21	AC801-531	Cap, Snap, White	12
22	N/A	Screw, Pan Head, TF, #10-16 X .63 Inch Long	6
23	N/A	Screw, Pan Head, #10-32 X .50 Inch Long, Zinc	6





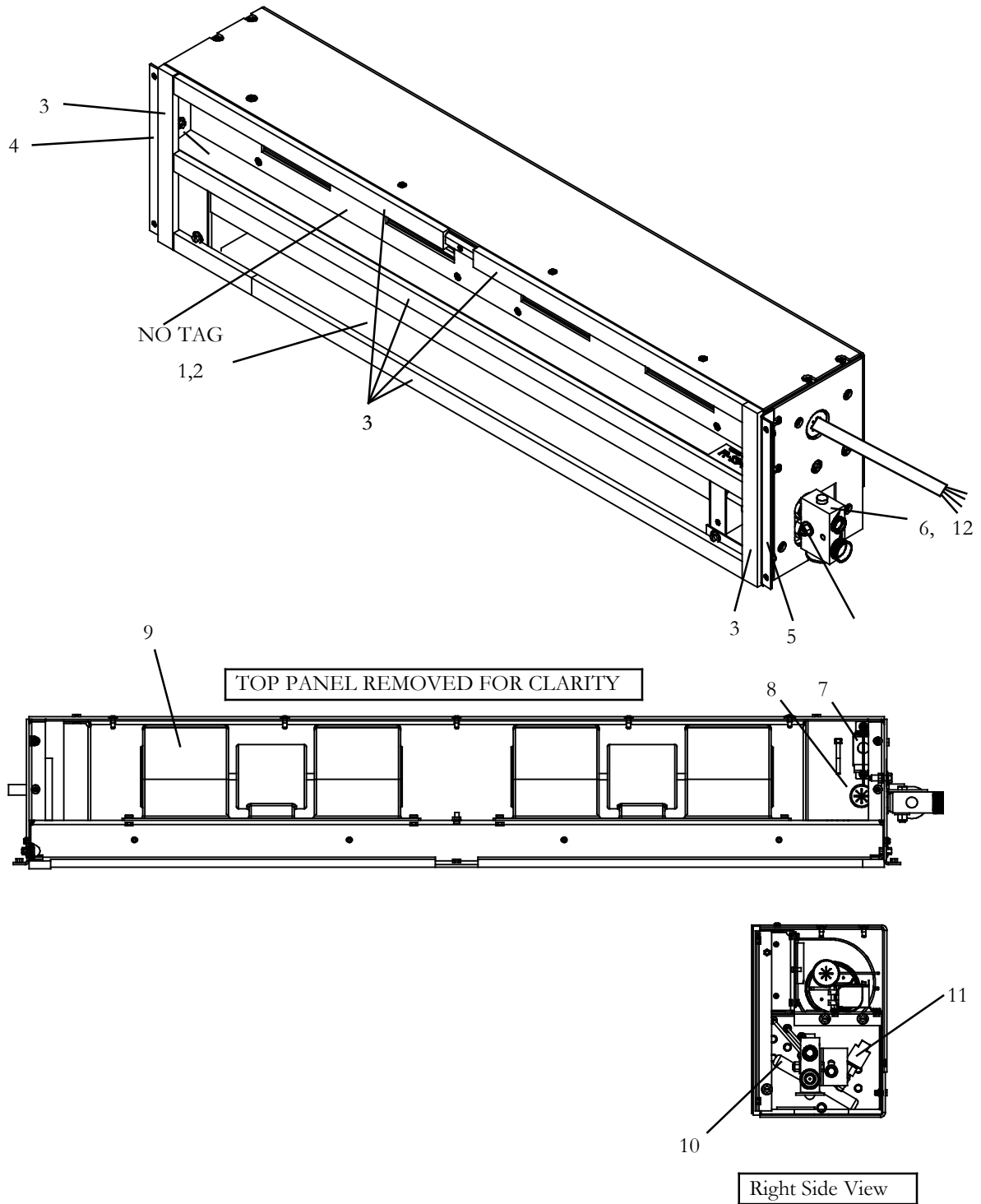
1.15 IW-10 IN-WALL EVAPORATORS

**OPTION TABLE - IW-10,
12 VDC - 3 Speed**

MODEL IW-10 77-62233	Cover Kit <small>(see Section 1.15.4)</small>	Chassis Kit <small>(see Section 1.15.1)</small>	Wire Harness <small>(see Section 1.15.3)</small>	Mount Brackets <small>(see Section 1.15.2)</small>
-00	5	2	1	1
-01	5	2	1	1
-02	-	2	1	1
-03	2	2	1	1
-04	2	2	2	2
-05	3	2	1	1
-06	4	2	1	1
-07	6	2	1	1



1.15.1 EVAPORATOR, Chassis Kit (77-62200-00), IW-10, (INACTIVE): OPTION 1

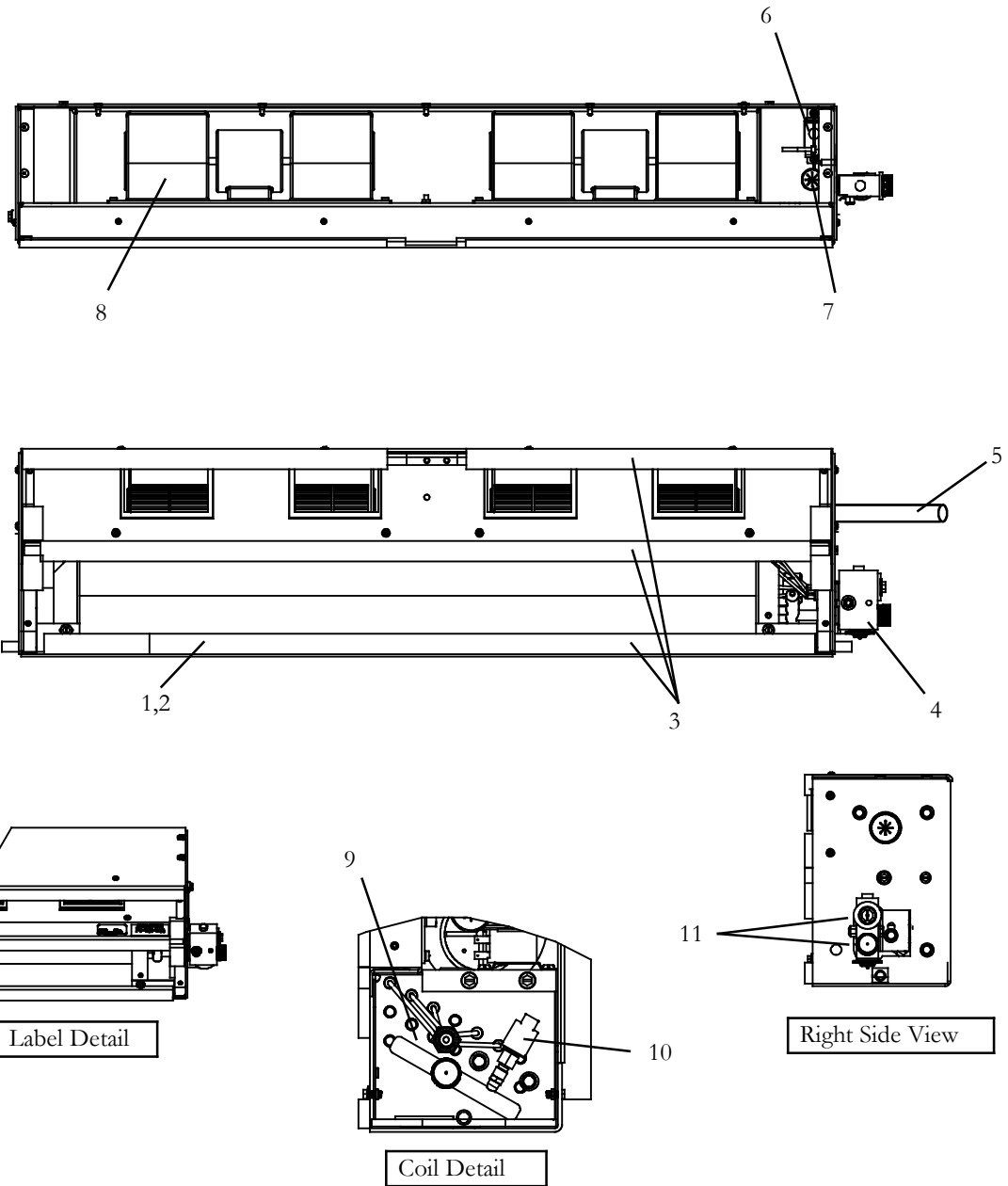




1.15.1 EVAPORATOR, Chassis Kit (77-62200-00), IW-10, (INACTIVE) Continued: OPTION 1			
Item	Part Number	Description	Qty
-	NSS	Evaporator Chassis Assembly, IW-10 - Includes:	1
1	86-62509-00	...Weld Assembly, Bottom (Drain Pan w/Side Panels)	1
2	AC022-313-5	...Baffle, Drain Pan	1
3	AC801-414	...Gasket, 3/8 x 1 in. Soft	12 ft
4	68-08250-00	...Bracket, Mounting, LH, (NSI)	1
5	68-08211-00	...Bracket, Mounting, RH, (NSI)	1
6	14-00397-00	...Valve, Expansion (TXV)	1
7	12-00685-00	...Thermostat, Freeze Up, Non-Adjustable	1
8	58-00661-04	...Bushing, 1.00 in. DIA. Hole	1
9	AC401-203	...Fan & Motor Assembly	2
10	08-62076-00	...Coil Assembly, Evaporator	1
11	AC201-412	...Pressure Switch, Low	1
12	AC801-202	...O-Ring,	2



1.15.1 EVAPORATOR, Chassis Kit (77-62200-02 & -03), IW-10 : COMMOM PARTS: OPTION 2





1.15.1 EVAPORATOR, Chassis Kit (77-62200-02 & -03), IW-10 : COMMOM PARTS : OPTION 2 (Continued)			
Item	Part Number	Description	Qty
-	77-62200-XX	Evaporator Chassis Assembly, IW-10 - Includes:	1
1	86-62587-00	...Weld Assembly, Bottom (Drain Pan w/Side Panels)	1
2	AC022-313-5	...Baffle, Drain Pan	1
3	AC801-414	...Gasket, 3/8 x 1 in. Soft	12 ft
4	14-00397-00	...Valve, Expansion (TXV)	1
5	22-62297-00	...Harness, Evaporator, See Section 1.15.3	1
	Y25-00000-00	...Harness, Evaporator, See Section 1.15.3	1
6	12-00685-00	...Thermostat, Freeze Up, Non-Adjustable	1
7	58-00661-04	...Bushing, 1.00 in. DIA. Hole	1
8	AC401-203	...Fan & Motor Assembly	2
9	08-62076-00	...Coil Assembly, Evaporator	1
10	AC201-412	...Pressure Switch, Low	1
11	AC801-202	...O-Ring,	2

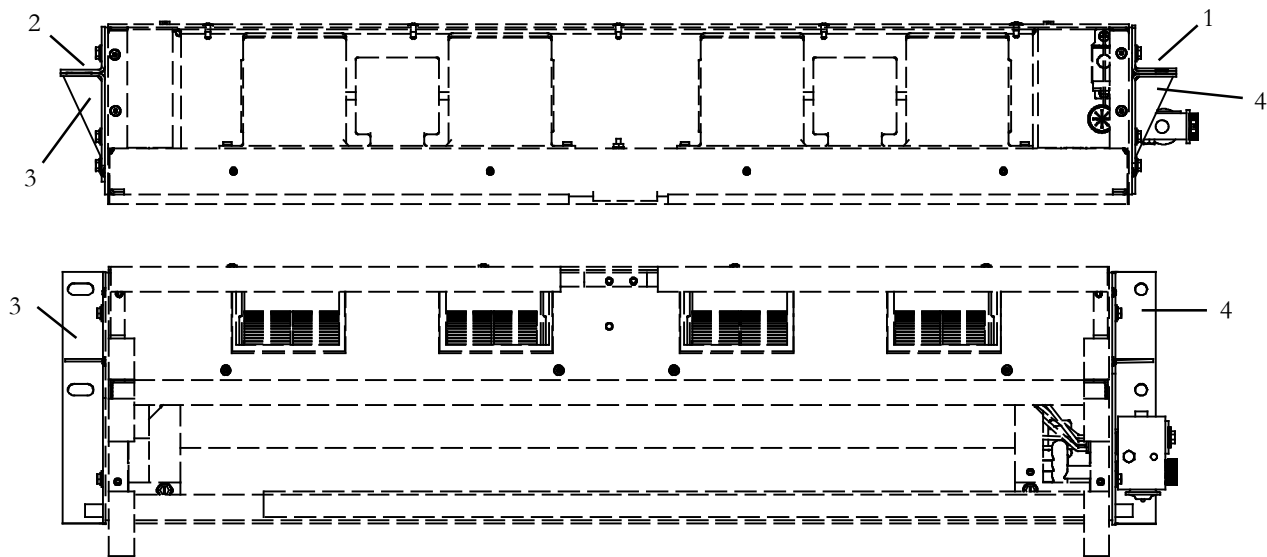


1.15.2 EVAPORATOR, Mounting Brackets, IW-10 : OPTION 1



Item	Part Number	Description	Qty
1	86-62588-00	...Weld Assembly, Mounting, RH Side	NSI
2	86-62589-00	...Weld Assembly, Mounting, LH Side	NSI

1.15.2 EVAPORATOR, Mounting Brackets, IW-10 : OPTION 2

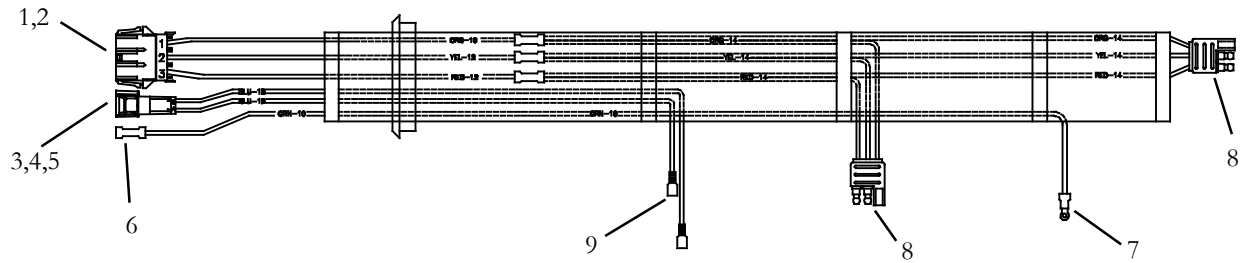


Item	Part Number	Description	Qty
1	Y24-00021-00	...Bracket, Mounting, RH Side	NSI
2	Y24-00022-00	...Bracket, Mounting, LH Side	NSI
3	Y24-00023-00	...Weld Assembly, Mounting, LH Side	NSI
4	Y24-00024-00	...Weld Assembly, Mounting, RH Side	NSI



NOTE: Complete Wire Harnesses are Non-Stock Items. Replacement Components are Listed and can be cross referenced to supplier part number in manual T-375PL.

1.15.3 EVAPORATOR HARNESS, IW-10 12VDC (22-62297-00): OPTION 1

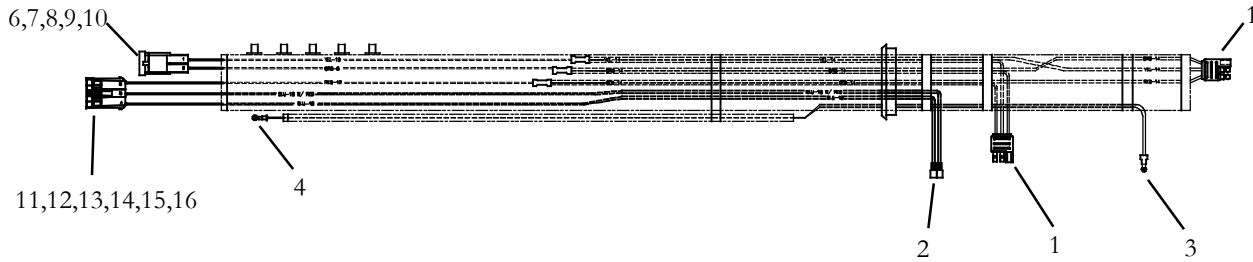


Item	Part Number	Description	Qty
1	22-50099-32	Connector, Plug Housing (3 position)	1
2	22-50099-32A	Terminal, Male, 10/12 AWG	3
3	22-50099-37	Connector, Male Unsealed	1
4	22-50099-37A	Terminal, Male, 16/18 AWG	2
5	22-50099-37D	Lock, Secondary	1
6	22-00066-03	Terminal, Butt Splice, 10/12 AWG	1
7	22-01140-02	Terminal, Ring #10, 10/12 AWG	1
8	22-62002-00	Connector, Electrical, Motor	2
9	22-01258-01	Terminal, Female Push-on, 18/22 AWG	2



NOTE: Complete Wire Harnesses are Non-Stock Items. Replacement Components are Listed and can be cross referenced to supplier part number in manual T-375PL.

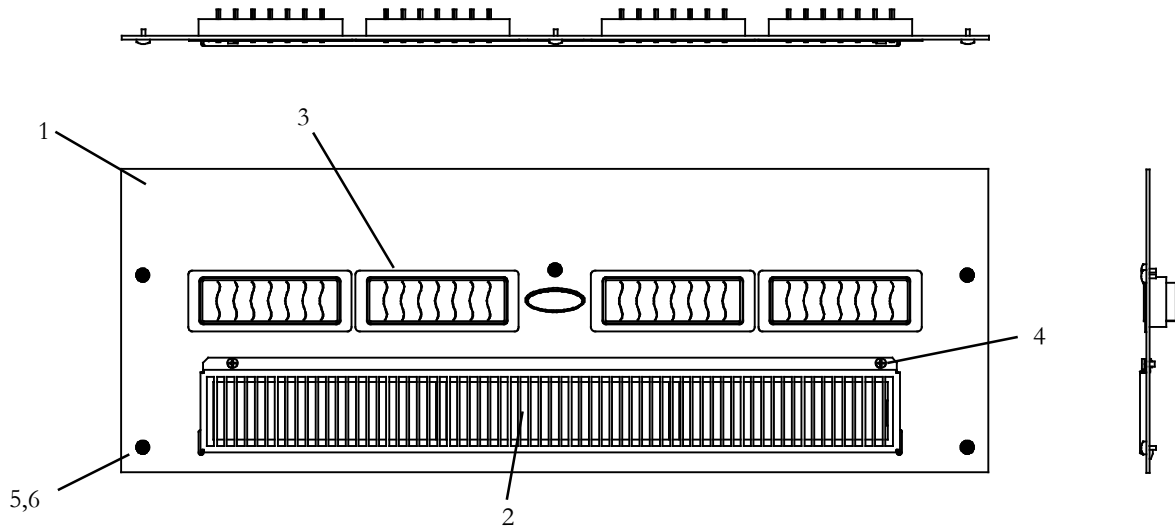
1.15.3 EVAPORATOR HARNESS, IW-10 12VDC (Y25-00000-00): OPTION 2



Item	Part Number	Description	Qty
1	22-62002-00	Connector, Plug (Motor)	2
2	22-01258-01	Terminal, Female Push-On, 18/22 AWG	2
3	22-00872-01	Terminal, Ring #10, 8 AWG	1
4	22-00872-03	Terminal, Ring 5/16 , 8 AWG	1
5	58-00661-07	Bushing	1
6	22-50098-67	Connector, Male, 2 position	1
7	22-50098-67B	Terminal, Male, 8 AWG	1
8	22-50098-67D	Cable Seal, 8 AWG	1
9	22-50098-67A	Terminal, Male, 10/12 AWG	1
10	22-50098-67C	Cable Seal, 10/12 AWG	1
11	22-50078-86	Connector, Male, 3 position	1
12	22-50078-49A	Terminal, Male, 18 AWG	2
13	22-50078-53C	Cable Seal, 18 AWG	2
14	22-50078-49C	Terminal, Male, 12 AWG	1
15	22-50078-53D	Cable Seal, 12 AWG	1
16	22-50078-86A	Lock, Secondary	1



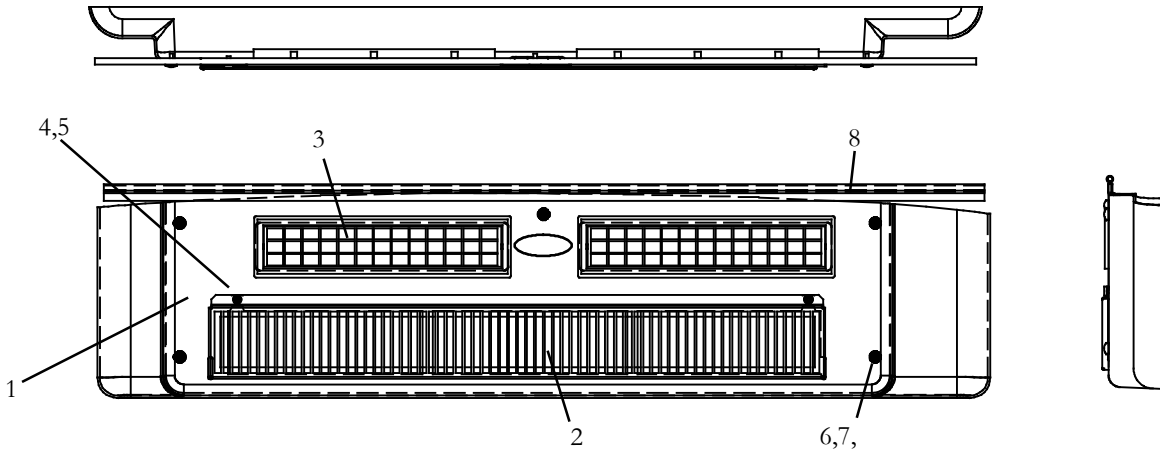
1.15.4 COVER ASSEMBLY, EVAPORATOR, IW-10: OPTION 1



Item	Part Number	Description	Qty
1	79-62125-00	Cover Assembly, White,	1
	79-62125-01	Cover Assembly, Light Gray,	1
2	38-00573-12	...Filter, Air, IW-10 (34.28 in. X 3.84 in.)	1
3	58-62042-00	...Diffuser, Air, Adjustable Rectangle	4
4	AC701-106-2	...Nut, Speed 'U', 1/4 - 20 x .19 Grip	NSI
5	AC801-529-1	...Washer, .15 DIA. Snap Cap	5
6	AC801-531	...Cap, Snap, White	5
	AC801-532	...Cap, Snap, Gray	5

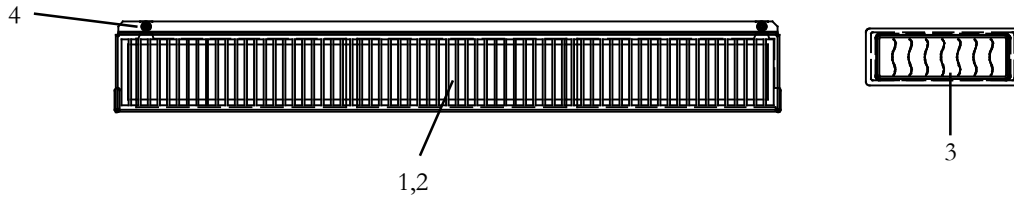


1.15.4 COVER ASSEMBLY, EVAPORATOR, IW-10: OPTION 2



Item	Part Number	Description	Qty
1	79-62125-03	...Cover, Gray, Formed, TBB Aftermarket, (Used On 77-62233-03)	1
	79-62125-04	...Cover, Gray, Formed, TBB OEM, (Used On 77-62233-04)	1
2	38-00573-12	...Filter, Air, IW-10 (34.28 in. X 3.84 in.)	1
3	58-62209-00	...Diffuser, Air, Adjustable Rectangle	2
4	AC701-106-2	...Nut, Speed 'U', ¼ - 20 x .19 Grip	NSI
5	AC801-307	...¼" - 20 x ¾" Screw, Nylon, Knurled Head	2
6	AC801-529-1	...Washer, .15 DIA. Snap Cap	5
7	AC801-531	...Cap, Snap, White	5
	AC801-532	...Cap, Snap, Gray	5
8	42-00264-63	...Seal, Trim, Black PVC/Neoprene	10 ft

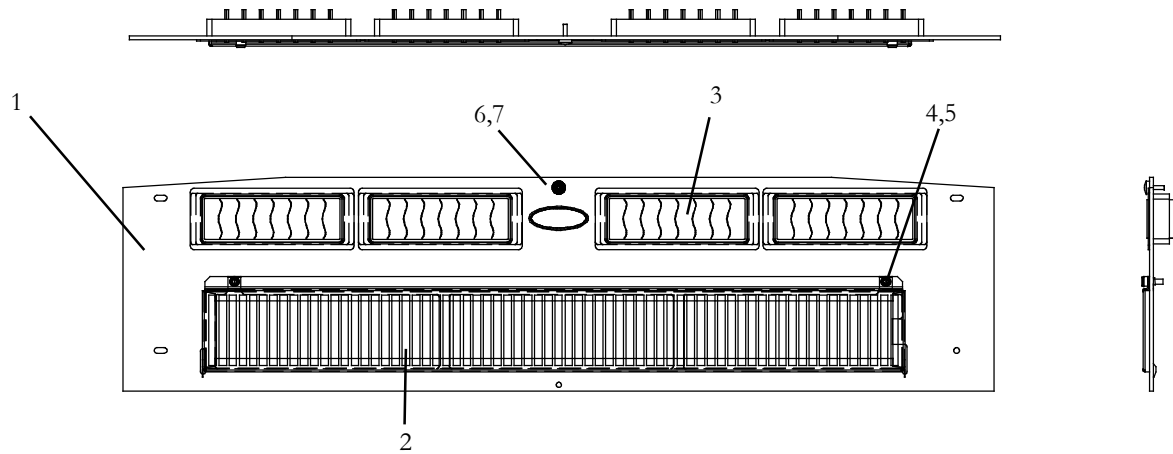
1.15.4 COVER ASSEMBLY, EVAPORATOR, IW-10: OPTION 3



Item	Part Number	Description	Qty
1	68-63737-00	Grille, Evaporator, IW-10	1
2	38-00573-12	Filter, Air, IW-10 (34.28 in. X 3.84 in.)	1
3	58-62042-00	Diffuser, Air, Adjustable Rect.	4
4	AC701-106-2	Nut, Speed 'U', ¼-20 x .19 Grip	NSI

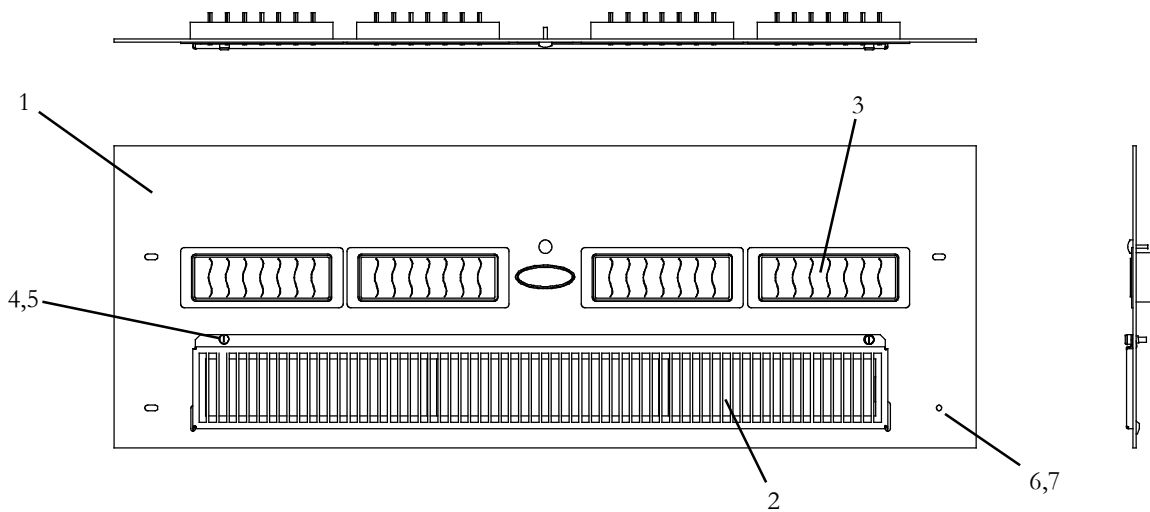


1.15.4 COVER ASSEMBLY, EVAPORATOR, IW-10: OPTION 4



Item	Part Number	Description	Qty
1	79-62125-05	...Cover, White,	1
2	38-00573-12	...Filter, Air, IW-10 (34.28 in. X 3.84 in.)	1
3	58-62042-00	...Diffuser, Air, Adjustable Rectangle	4
4	AC701-106-2	...Nut, Speed 'U', ¼ - 20 x .19 Grip	NSI
5	AC801-307	...¼" - 20 x ¾" Screw, Nylon, Knurled Head	2
6	AC801-529-1	...Washer, .15 DIA. Snap Cap	5
7	AC801-531	...Cap, Snap, White	5

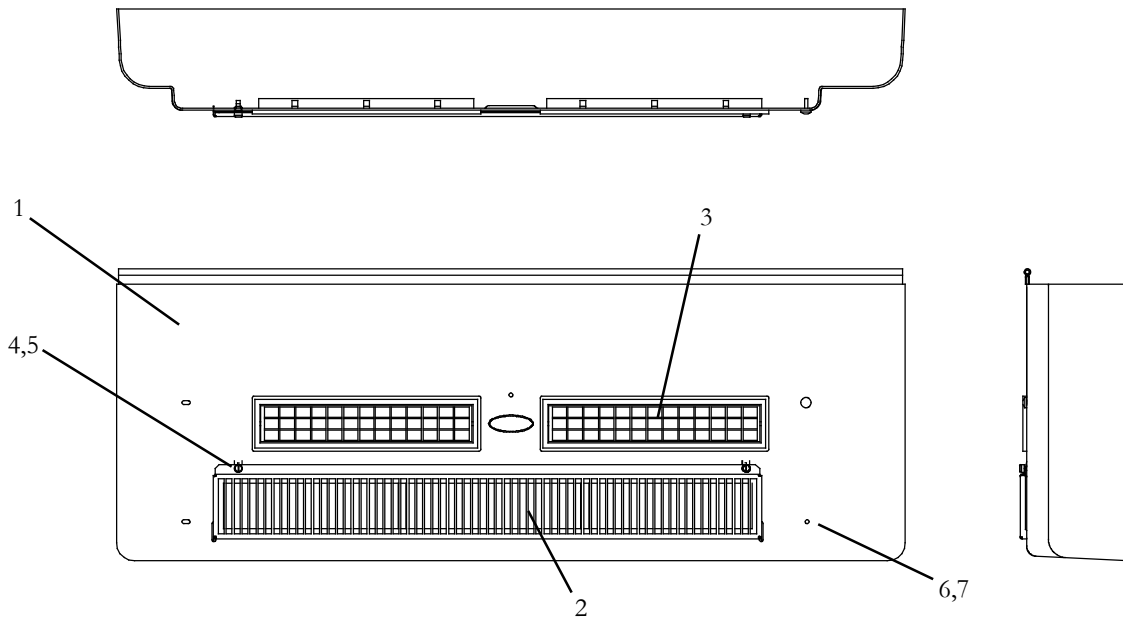
1.15.4 COVER ASSEMBLY, EVAPORATOR, IW-10: OPTION 5



Item	Part Number	Description	Qty
1	79-62125-06	...Cover, White,	1
	79-62125-07	...Cover, Gray	1
2	38-00573-12	...Filter, Air, IW-10 (34.28 in. X 3.84 in.)	1
3	58-62042-00	...Diffuser, Air, Adjustable Rectangle	4
4	AC701-106-2	...Nut, Speed 'U', ¼ - 20 x .19 Grip	NSI
5	AC801-307	...¼" - 20 x ¾" Screw, Nylon, Knurled Head	2
6	AC801-529-1	...Washer, .15 DIA. Snap Cap	5
7	AC801-531	...Cap, Snap, White	5



1.15.4 COVER ASSEMBLY, EVAPORATOR, IW-10: OPTION 6

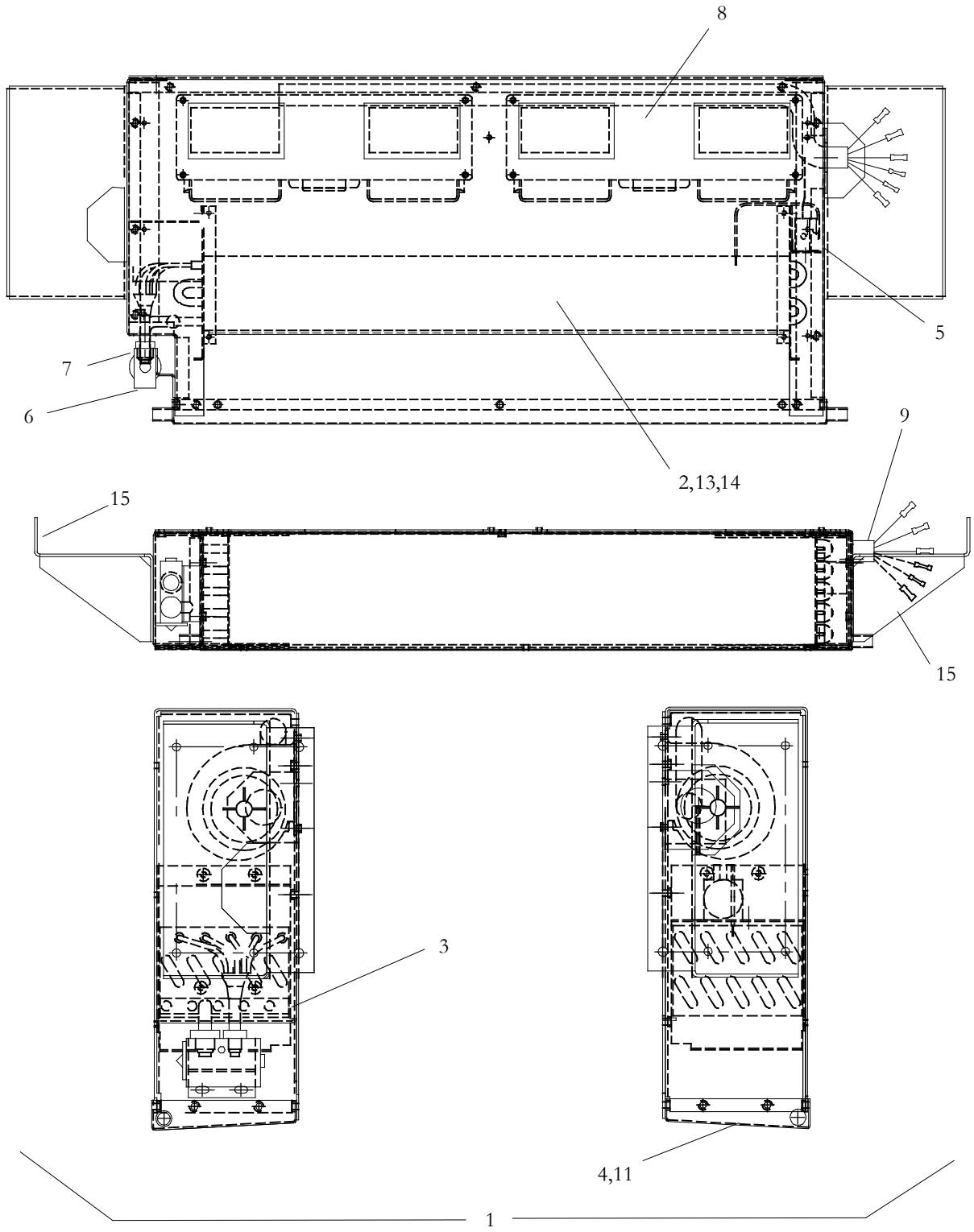


Item	Part Number	Description	Qty
1	79-62125-09	...Cover, White,	1
2	38-00573-12	...Filter, Air, IW-10 (34.28 in. X 3.84 in.)	1
3	58-62209-00	...Diffuser, Air, Adjustable Rectangle	2
4	NSI	...Nut, Tapped Hole	2
5	AC801-307	...1/4" - 20 x 3/4" Screw, Nylon, Knurled Head	2
6	AC801-529-1	...Washer, .15 DIA. Snap Cap	5
7	AC801-531	...Cap, Snap, White	5



1.16 IW-14 IN-WALL EVAPORATORS

1.16.1 EVAPORATOR, IW-14, (77-62080-00)

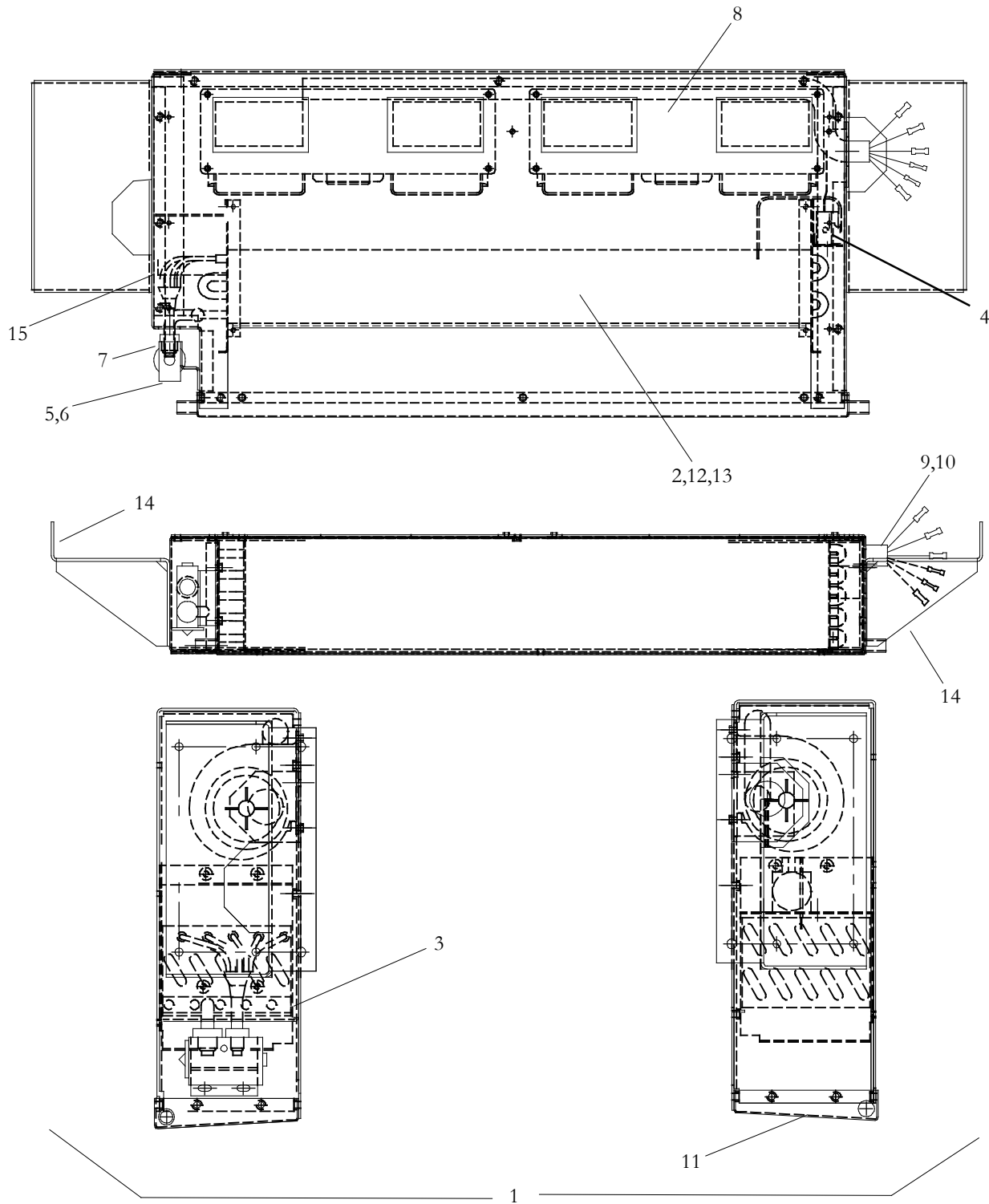




1.16.1 EVAPORATOR, IW-14, (77-62080-00) - Continued:			
Item	Part Number	Description	Qty
1	NSS	Chassis Assembly, Evaporator, IW-14 - Includes:	1
2	08-62064-00	...Coil Assembly, 4 Row, W/O Reheat	1
3	AC801-416	...Gasket, Foam, 1/8 X 12-3/4 Inch (300Ft. Roll)	1
4	AC022-746-1	...Gasket, Drain Pan, .50 Thick X 5.50 X 33.25	1
5	12-00685-00	...Thermostat, Freeze-Up, Non Adjustable	1
6	14-00397-00	...Valve, Thermal Expansion Block, (R134a)	1
7	AC801-202	...O-Ring, 1/2 Inch HNBR	2
8	AC401-203Blower Assembly, EM-14, 12 VDC	2
9	AC022-744Harness, Evaporator, EM-14, (12/24 VDC) - Includes:	1
10	22-62002-00Connector, Molded Plug With 60.00 Inch leads	2
11	86-62262-00	...Panel Assembly, Drain Pan	1
12	42-00032-00	...Tape, Insulation, Presstite, 2.00 Inch X 30 Feet Long	1
13	AC801-414	...Gasket, Foam, 3/8 X 1 Inch X 25 Foot Roll	1
14	AC022-743	...Gasket, Foam, 0.12 Thick X 3.50 Wide X 26.25 Inches Long	NSI
15	68-63268-00	...Bracket, Mounting	NSI



1.16.2 EVAPORATOR, IW-14, WITH LP SWITCH (77-62080-01)

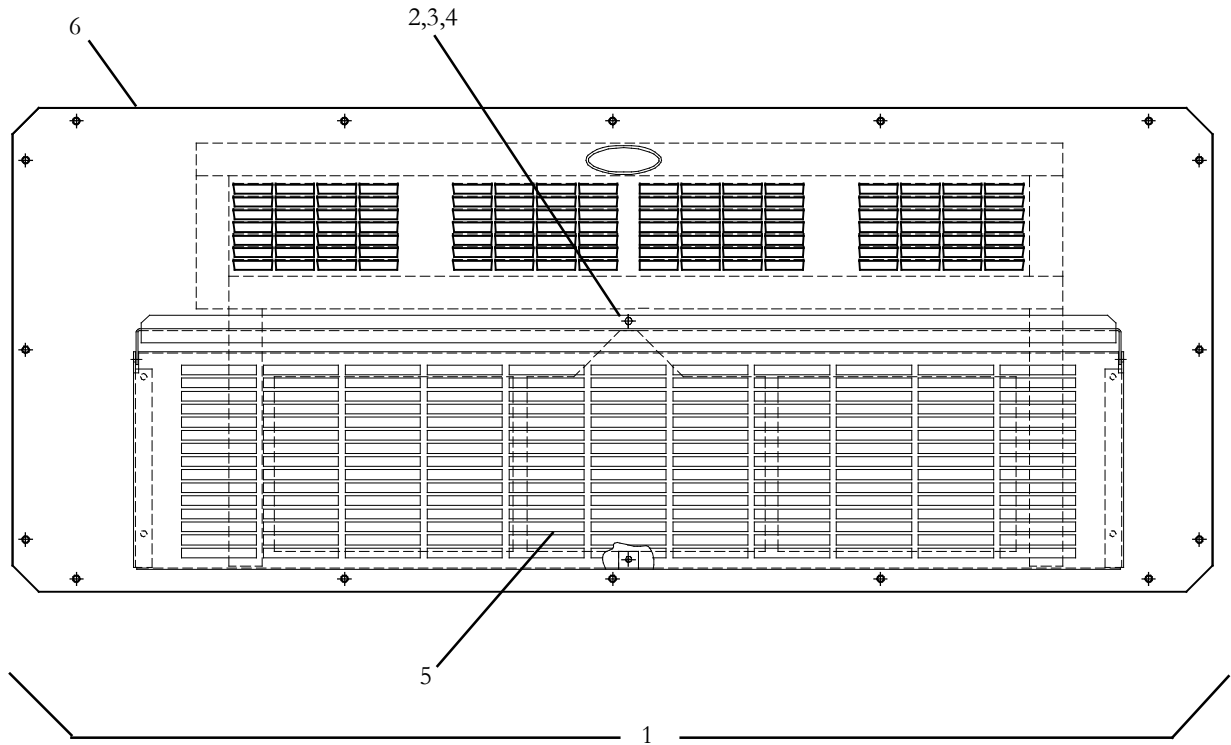




1.16.2 EVAPORATOR, IW-14, WITH LP SWITCH (77-62080-01) - Continued:			
Item	Part Number	Description	Qty
1	NSS	Chassis Assembly, Evaporator, IW-14 - Includes:	1
2	08-62064-00	...Coil Assembly, 4 Row - Includes:	1
3	AC801-416	...Gasket, Foam, 1/8 X 12-3/4 Inch x 25 Feet Roll	1
4	12-00685-00	...Thermostat, Freeze-Up, Non Adjustable	1
5	14-00397-00	...Valve, Thermal Expansion Block, (R134a)	1
6	42-00032-00	...Tape, Insulation, Presstite, 2.00 Inch X 30 Feet Long	1
7	AC801-202	...O-Ring, 1/2 Inch HNBR	2
8	AC401-203Blower Assembly, EM-14, 12 VDC	2
9	22-62240-01Harness, Evaporator, EM-14, (12/24 VDC) - Includes:	1
10	22-62002-00Connector, Molded Plug With 60.00 Inch leads	2
11	86-62497-00	...Drain Pan Assembly,	1
12	AC801-414	...Gasket, Foam, 3/8 X 1 Inch X 25 Foot Roll	1
13	AC022-743	...Gasket, Foam, 0.12 Thick X 3.50 Wide X 26.25 Inches Long	NSI
14	68-63268-00	...Bracket, Mounting	NSI
15	AC201-412	...Switch, Low Pressure	1



1.16.3 GRILL ASSEMBLY, EVAPORATOR, IW-14, (77-62080-00 & -01)



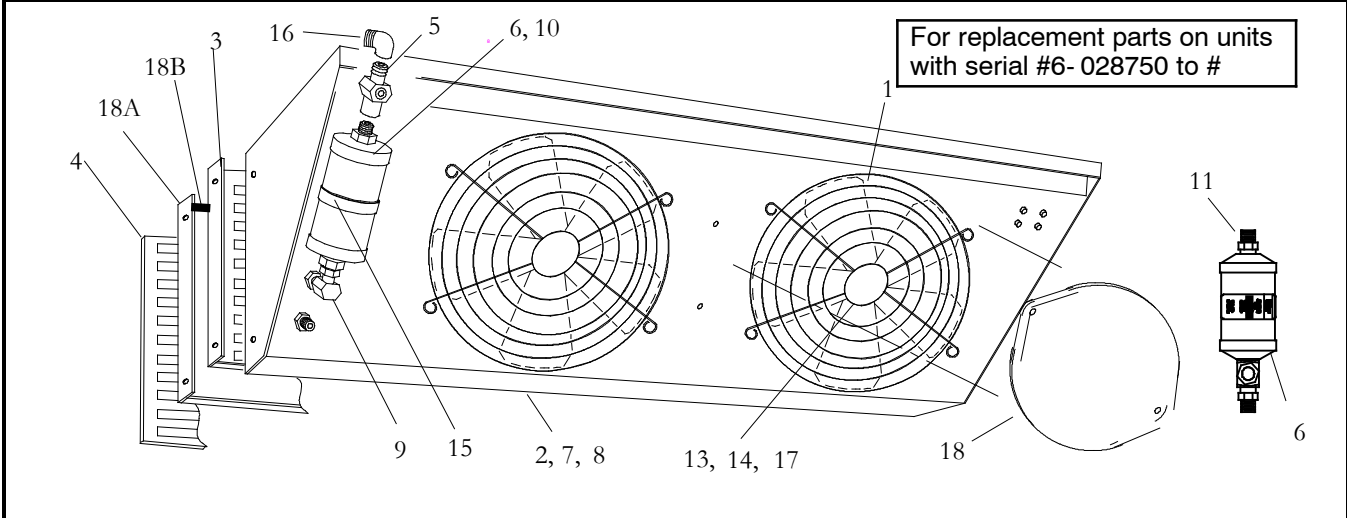
Item	Part Number	Description	Qty
1	79-62064-00	Grill Assembly IW-14, Includes:	1
2	34-62019-00Receptable, 1/4 Turn	1
3	34-62020-00Stud, 1/4 Turn, .25 Grip Range	1
4	34-06169-01Washer, Retaining	1
5	38-00573-01Filter, Air, 36.5 X 9 X .12 Inch (EM-1 GEN 5)	1
6	AC801-403Gasket, Foam, 1-1/4 X 1-1/4 Inch (25 Foot Roll)	1



SECTION 2 - CONDENSERS

SECTION 2.1 CM-2 CONDENSERS

2.1.1 CONDENSER, CM-2, GEN 4



Item	Part Number	Description	Qty
1	AC030-234	Guard, Fan (Not used with 54-00618-01)	2
2	AC033-219	Coil Assembly, With Pressure Switches, (Before serial #6-050555)	1
	08-62035-00	Coil Assembly (Beginning serial #6-050555)	1
3	AC033-134P	Grill, Condenser Mounted	1
4	AC033-136	Grill, Bus Skirt Mounted	1
5	AC101-200	Sightglass	1
6	AC101-312	Filter Drier, 16 Cubic Inch, 1/2 Inch MFO (Before serial #6-050555)	1
	14-00288-00	Filter Drier/Sightglass Combination, (Beginning with serial #6-050555)	1
7	AC201-414	Switch, High Pressure	1
8	AC201-412	Switch, Low Pressure	1
9	AC301-441	Fitting, Swivel Union, 1/2 Inch Female Flare X 1/2 Inch Female Flare	1
	40-62036-00	Fitting, Swivel Union, 1/2 Inch Female O-Ring X 1/2 Inch Female O-Ring	1
10	AC801-220	O-Ring, 1/2 Inch MF-O, (Old)	2
11	AC801-202	O-Ring, 1/2 Inch HNBR, (New)	2
12	54-00618-01	Fan & Motor Asy., Vector, 12V, W/Fuse, 11 In. (No Repl. Motor) Includes:	2
12A	22-02336-25Fuse, 20 Amp	1
13	AC401-110	Assembly, Fan, 12 VDC - Includes:	2
	54-50080-00	...Motor, Fan, 12 VDC	1
	44-50024-00	...Clip, Fan Blade	1
14	CM205-197	Assembly, Fan, 24 VDC	2
15	AC701-269	Clamp, Worm Gear, (Filter Drier)	1
16	-	Fitting, 90°, 1/2 Inch Male Flare X 1/2 Inch Female Flare	NSI
17	22-62123-00	Harness, Condenser, CM-2	1
-	AC033-146	Kit, Winterization, Consisting Of:	1
18	AC033-145Cover, Fan, (Winterguard)	2
18A	AC033-142Cover, Coil, (Winterguard)	1
18B	AC801-412F25Gasket, Trim Seal, Black (25 Ft. Roll)	1

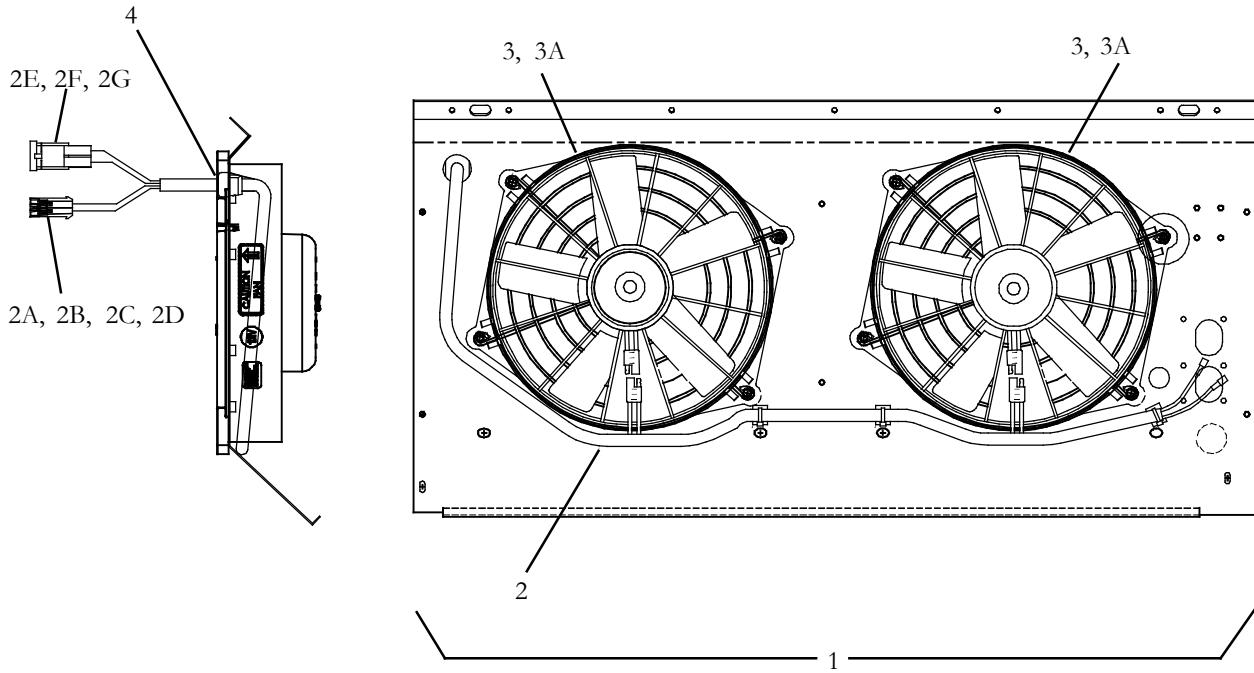


OPTION TABLE CM2 MCHX 77-01299 UNITS

MODEL CM2 MCHX (Top Level) 77-01299-XX	Chassis Kit (See Section 2.1.4)	Venturi Panel (See Section 2.1.2)	Grill (See Section 2.1.8)
-00	1	5	N/A
-11	1	5	1
-12	1	2	1
-16	1	1	N/A
-20	1	5	2
-21	1	3	3
-22	1	3	3
-30	1	5	2
-40	1	5	4
-60	1	4	1
-61	1	4	2
-62	1	4	4
-96	1	5	2



2.1.2 CONDENSER, CM-2, MCHX, VENTURI ASSEMBLY: OPTION 1

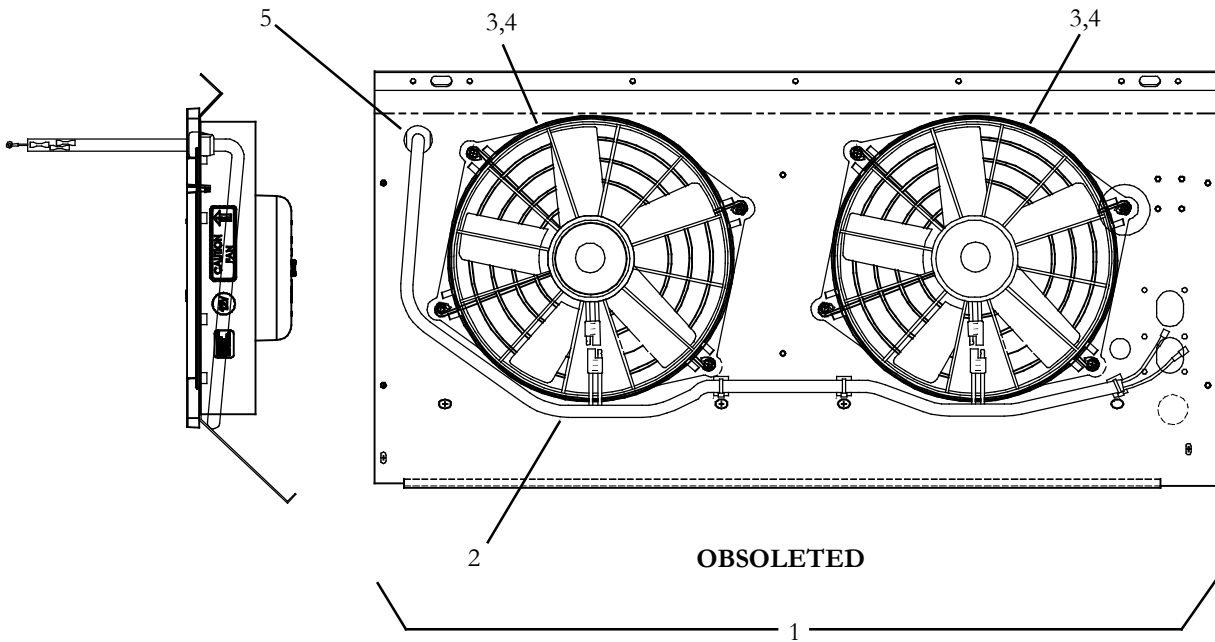


REFERENCE KIT 77-01286-00 A

Item	Part Number	Description	Qty
1	-	Venturi Assembly, CM-2 12VDC - Includes:	NSI
2	22-62206-00	...Harness, Connector, CM-2 - Includes:	NSI
2A	22-50078-72Connector, Male	1
2B	22-50078-46ATerminal, Male	2
2C	22-50078-50ASeal, Cable	2
2D	22-50078-72ALock, Secondary	1
2E	22-50098-67Connector, 2 Pin Black	1
2F	22-50098-67BTerminal, Male	2
2G	22-50098-67DSeal, Cable	2
3	54-00618-01	...Fan & Motor Assembly, Vector, 12V W/Fuse (No Repl. Motor) Includes:	2
3A	22-02336-25Fuse, 20 Amp	1
4	58-62019-00	...Bushing, Strain Relief	1



2.1.2 CONDENSER, CM-2, MCHX, VENTURI ASSEMBLY: OPTION 2

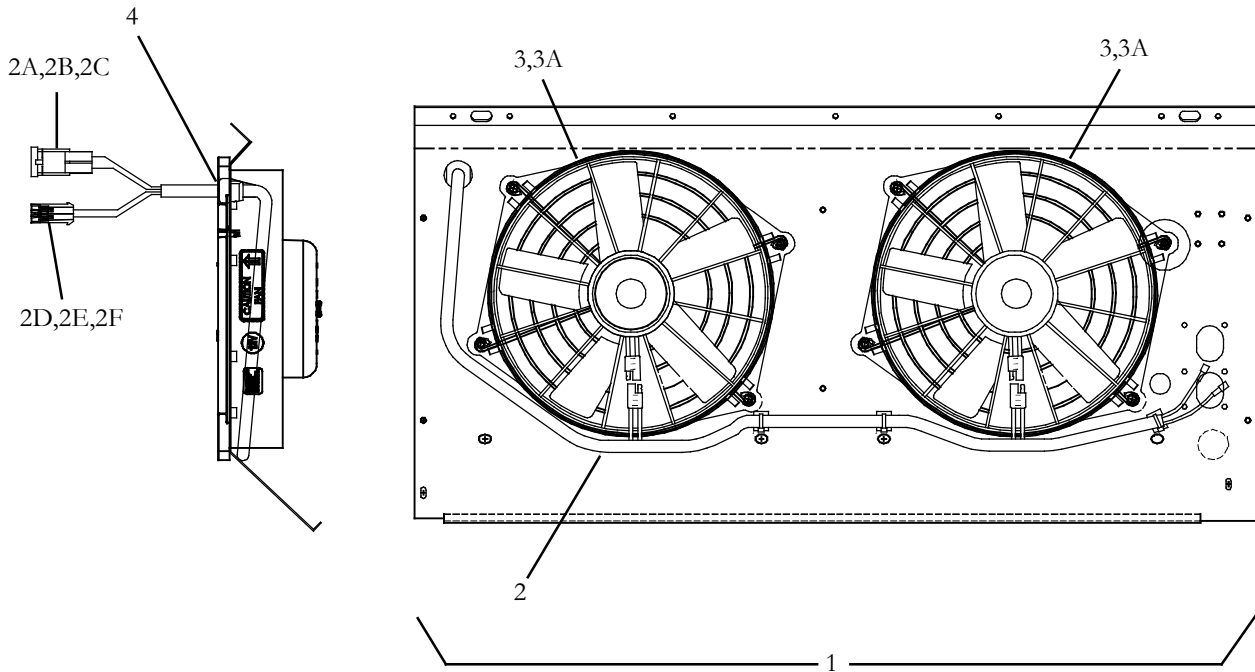


REFERENCE KIT 77-01286-01 A

Item	Part Number	Description	Qty
1	-	Venturi Assembly, CM-2 12VDC - Includes:	NSI
2	22-62123-00	...Harness, Condenser, CM-2	NSI
3	54-00618-01	...Fan & Motor Assembly, Vector, 12V, W/Fuse (No Repl. Motor) Includes:	2
4	22-02336-25Fuse, 20 Amp	1
5	58-62019-00	...Bushing, Strain Relief	1



2.1.2 CONDENSER, CM-2, MCHX, VENTURI ASSEMBLY: OPTION 3

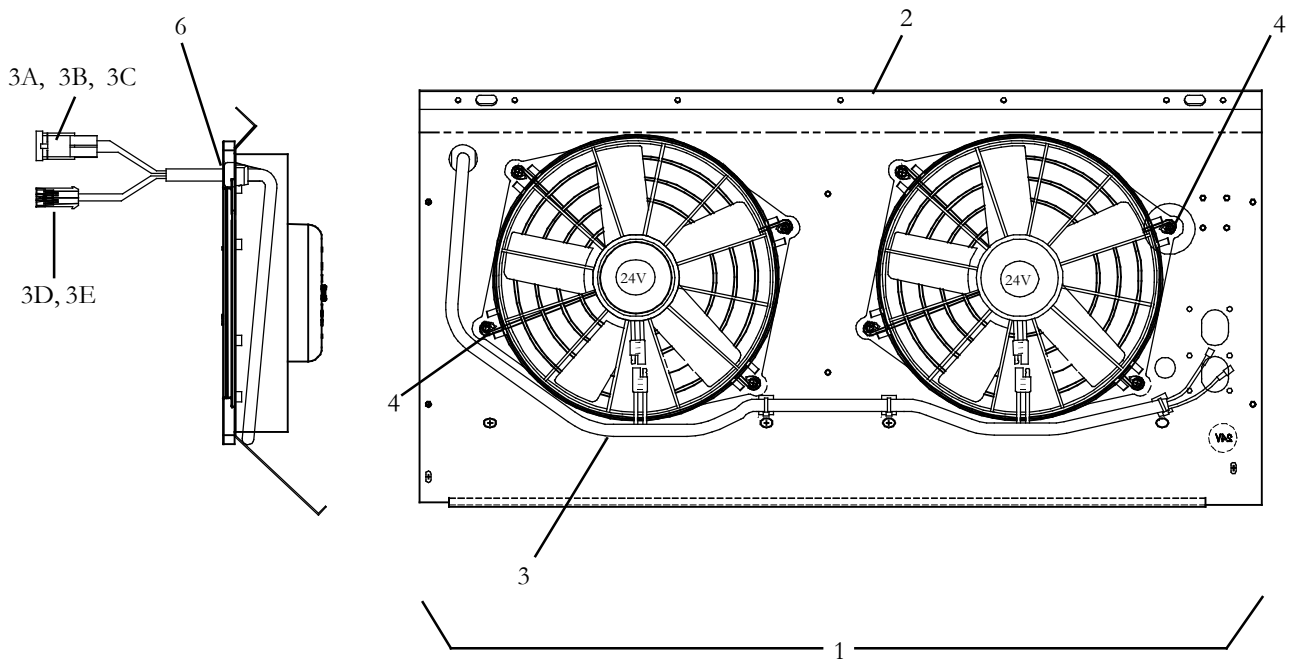


REFERENCE KIT 77-01286-03 D

Item	Part Number	Description	Qty
1	-	Venturi Assembly, CM-2 12VDC - Includes:	NSI
2	22-62260-00	...Harness, Condenser, CM-2 - Includes:	NSI
2A	22-02392-00Connector, Male, 2 Pin Black	1
2B	22-02393-01Terminal, Male, (18-20 AWG)	2
2C	22-02394-00Seal, Cable, Gray	2
2D	22-50078-40Connector, 2 Pin, Female, Black	1
2E	22-50098-67BTerminal, Female, (10 AWG)	2
2F	22-50098-67DSeal, Cable, Orange	2
3	54-00618-01	...Fan & Motor Assembly, Vector, 12V W/Fuse (No Repl. Motor) Includes:	2
3A	22-02336-25Fuse, 20 Amp	1
4	58-62019-00	...Bushing, Strain Relief	1



2.1.2 CONDENSER, CM-2, MCHX, VENTURI ASSEMBLY (24V): OPTION 4

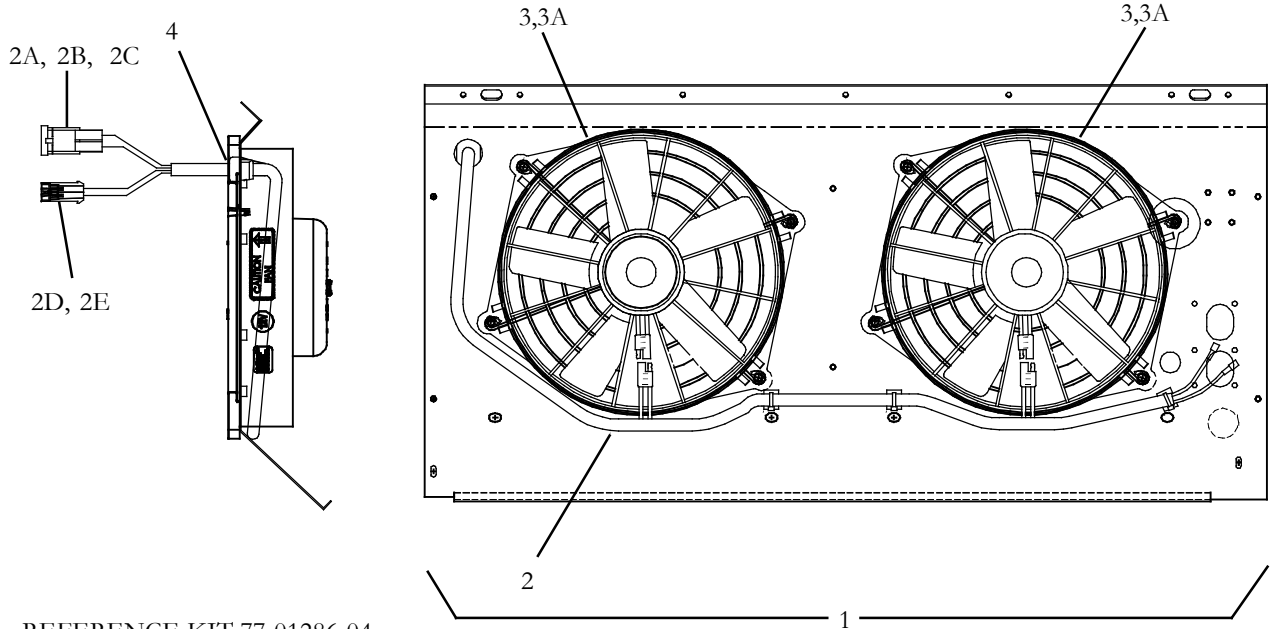


REFERENCE KIT 77-01286-60

Item	Part Number	Description	Qty
1	-	Venturi Assembly, CM-2 24VDC - Includes:	NSI
2	AC030-234	...Guard, Fan, Condenser	2
3	22-62273-00	...Harness, Condenser, CM-2 - Includes:	NSI
3A	22-02392-00Connector, 2 Pin, Black	1
3B	22-02393-01Terminal, Male, (18-20 AWG)	2
3C	22-02394-00Seal, Cable, Gray	2
3D	22-50371-00Connector, 2 Pin	1
3E	22-50372-00Terminal, Male (8 AWG)	2
4	54-00545-00	...Fan & Motor Assembly, 24V	2
5	66U1-3882	...Wire Tie, Self-Locking, 7.00 Inches, Black	3
6	58-62019-00	...Bushing, Strain Relief	1



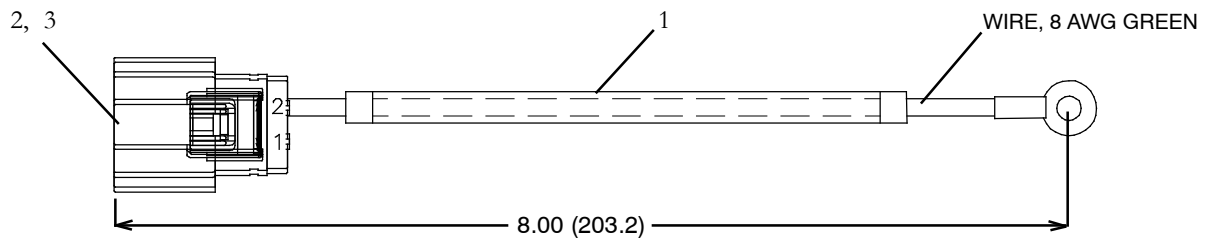
2.1.2 CONDENSER, CM-2, MCHX, VENTURI ASSEMBLY (12V): OPTION 5



REFERENCE KIT 77-01286-04

Item	Part Number	Description	Qty
1	-	Venturi Assembly, CM-2 12VDC - Includes:	NSI
2	22-62273-00	...Harness, Condenser, CM-2 - Includes:	NSI
2A	22-02392-00Connector, Male, 2 Pin Black	1
2B	22-02393-01Terminal, Male, (18-20 AWG)	2
2C	22-02394-00Seal, Cable, Gray	2
2D	22-50371-00Connector, 2 Pin	1
2E	22-50372-00Terminal, Male, (10 AWG)	2
3	54-00618-01	...Fan & Motor Assembly, Vector, 12V, W/Fuse (No Repl. Motor) Includes:	2
3A	22-02336-25Fuse, 20 Amp	1
4	66U1-3882	...Wire Tie, Self-Locking, 7.00 Inches, Black	3
5	58-62019-00	...Bushing, Strain Relief	1

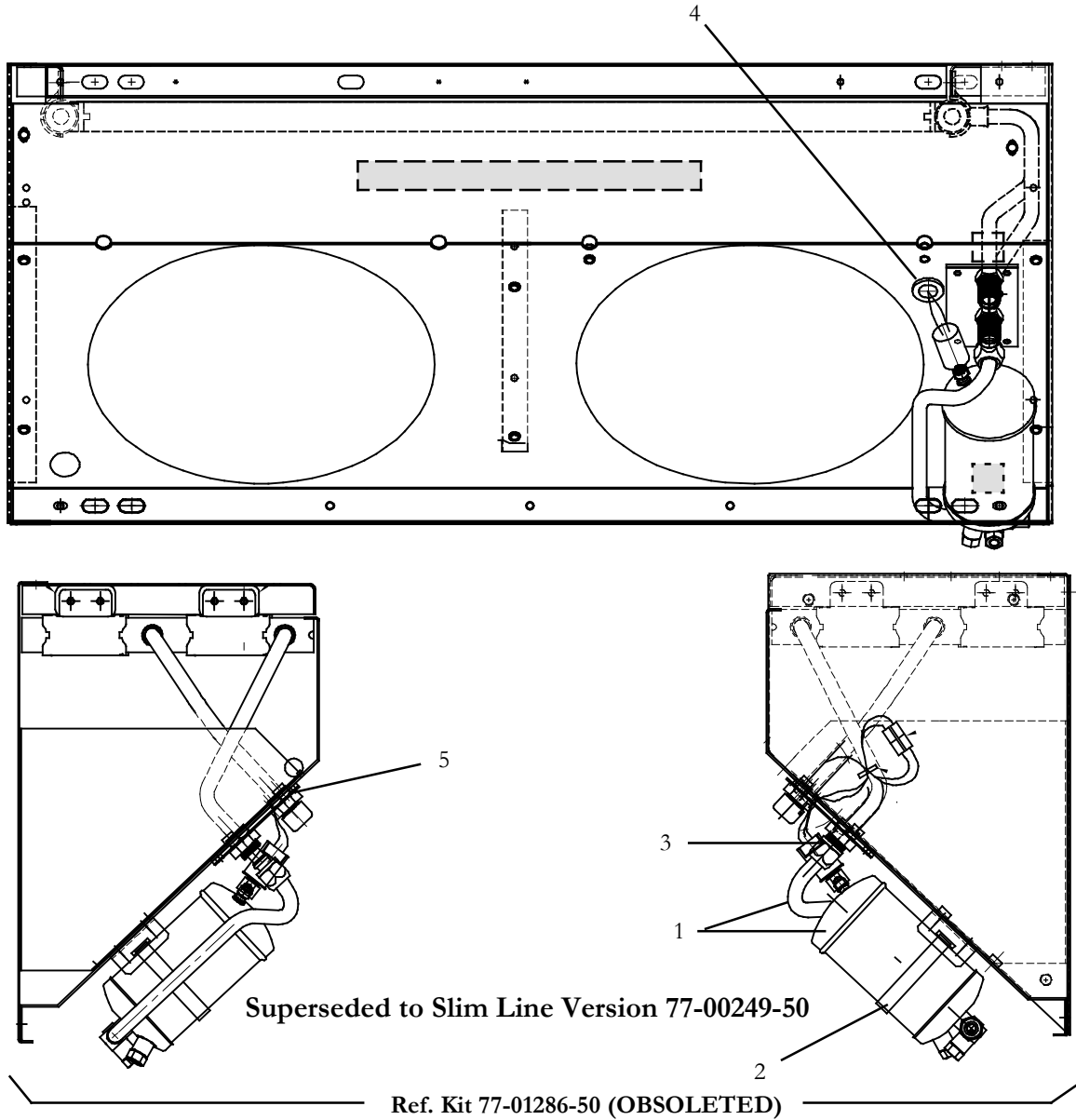
2.1.3 CM-2, CONDENSER GROUND/POWER HARNESS



Item	Part Number	Description	Qty
1	22-62277-00	Harness, Condenser - Includes:	NSI
2	22-50099-28	...Housing, Receptacle, 2 Pin, Black	1
3	22-50099-28A	...Terminal, Female (8 AWG)	1



2.1.4 CONDENSER COIL REPLACEMENT KIT, CM-2, MICRO-CHANNEL (MCHX) : OPTION 1



Item	Part Number	Description	Qty
-	N/A	CM-2 Service Chassis Kit - Includes: (Supersedes to 77-00249-50)	1
1	65-00193-00	...Receiver, With Filter Drier	1
2	44-00045-19	...Clamp, Hose, Worm Type, Range: 2.56-3.50 Inches	1
3	AC201-414	...Switch, High Pressure, 400 - 300	1
4	58-04764-00	...Grommet, .25 ID x .84 Groove	1
5	34-06088-07	...Nut, Hex, Jam, 3/4-16	2

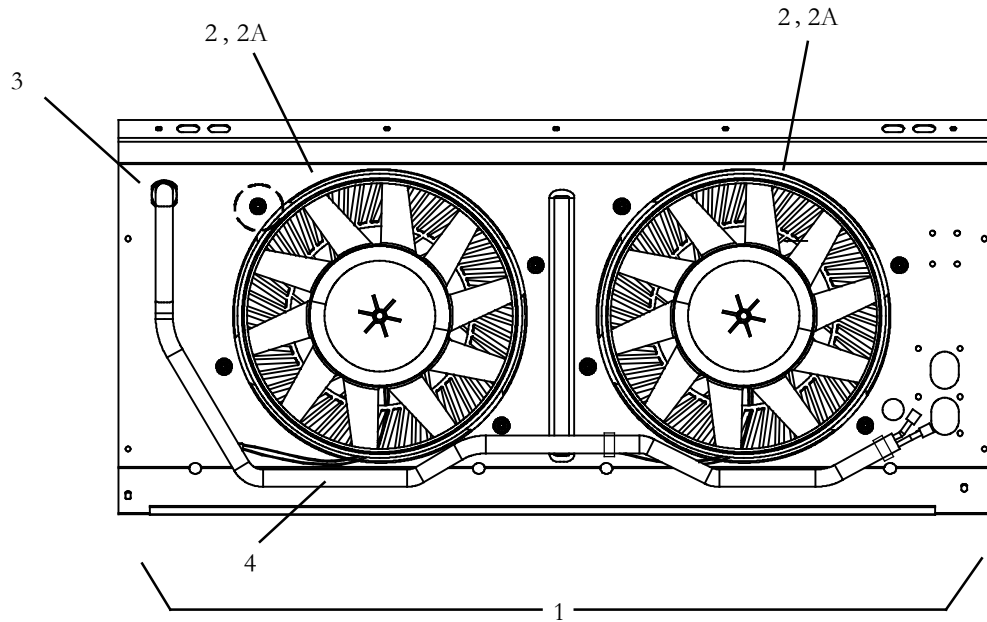


OPTION TABLE CM2 MCHX 77-00273 UNITS

MODEL CM2 MCHX (Top Level) 77-00273-XX	Venturi Panel Common Parts (See Section 2.1.5)	Elec. Harness (See Section 2.1.6)	Grill (See Section 2.1.8)	Chassis Kit (See Section 2.1.7)
-00	1	1	N/A	1
-11	1	1	1	1
-12	1	1	1	1
-16	1	3	N/A	1
-20	1	1	2	1
-21	1	2	5	1
-22	1	2	5	1
-23	1	2	1	1
-30	1	1	2	1
-35	1	1	2	1
-40	1	1	4	1
-60	2	1	1	1
-61	2	1	2	1
-62	2	1	4	1



2.1.5 CONDENSER, CM-2 SLIM LINE MCHX, (12VDC) COMMON PARTS: OPTION 1



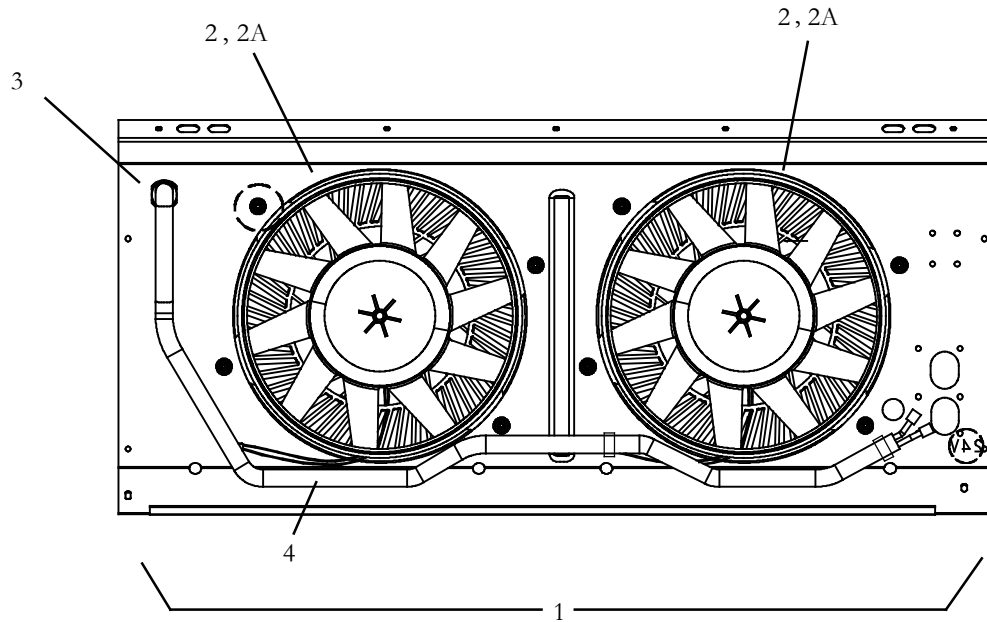
USED ON UNITS 77-00273-00, -11, -16, -20, -21, -22, -23, -30, -35 & -40

REFERENCE CHASSIS KITS 77-00249-00, 01, 02 & -03

Item	Part Number	Description	Qty
1	-	Venturi Assembly, CM-2 12VDC - Includes:	NSI
2	54-00618-01	...Fan & Motor Assembly, Vector, 12V, W/Fuse (No Repl. Motor) Includes:	2
2A	22-02336-25Fuse, 20 Amp	1
3	58-62019-00	...Bushing, Strain Relief	1
4	22-62273-XX	Refer to Matrix and Section 2.1.6 for proper harness	1



2.1.5 CONDENSER, CM-2 SLIM LINE MCHX, (24VDC) COMMON PARTS: OPTION 2



USED ON UNITS 77-00273-60, -61 & -62

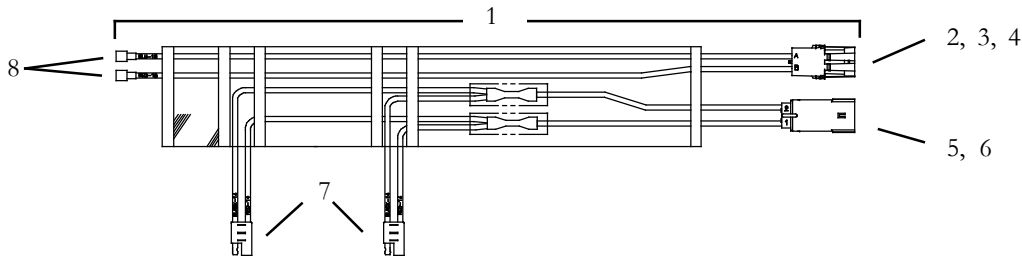
REFERENCE CHASSIS KITS 77-00249-60

Item	Part Number	Description	Qty
1	-	Venturi Assembly, CM-2- 24VDC - Includes:	NSI
2	54-00618-02	...Fan & Motor Assembly, Vector, 24V, W/Fuse (No Repl. Motor) Includes:	2
2A	22-02336-26Fuse, 25 Amp	1
3	58-62019-00	...Bushing, Strain Relief	1
4	22-62273-XX	Refer to Matrix and Section 2.1.6 for proper harness	1



NOTE: Complete Wire Harnesses are Non-Stock Items. Replacement Components are Listed and can be cross referenced to supplier part number in manual T-375PL.

2.1.6 CM-2, CONDENSER HARNESS 22-62273-00: OPTION 1

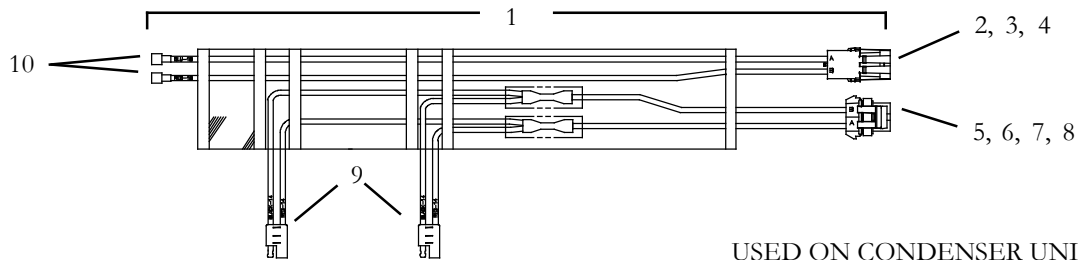


USED ON CONDENSER UNITS

77-00273-00, -11, -12, -20, -30, -35, -40, -60, -61 & -62

Item	Part Number	Description	Qty
1	22-62273-00	Harness, Condenser - Includes:	NSI
2	22-02392-00	...Connector, Male 2 Pin	1
3	22-02393-01	...Terminal, Male (18 AWG)	2
4	22-02394-00	...Cable Seal (18 AWG)	2
5	22-50099-27	...Housing, Plug, 2 Pin	1
6	22-50099-27A	...Terminal, Male (8 AWG)	2
7	AC201-905	...Condenser Motor Harness	2
8	22-01502-00	...Terminal, Male, Insulated Push On (18 AWG)	2

2.1.6 CM-2, CONDENSER HARNESS 22-62260-00: OPTION 2



USED ON CONDENSER UNITS

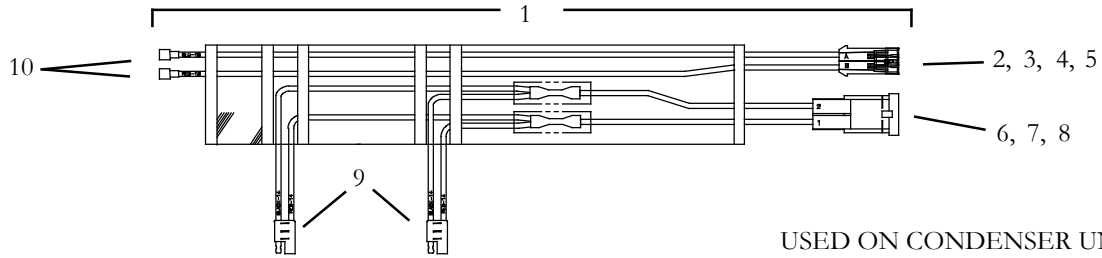
77-00273-21, -22 & -23

Item	Part Number	Description	Qty
1	22-62260-00	Harness, Condenser - Includes:	NSI
2	22-02392-00	...Connector, Male, 2 Pin	1
3	22-02393-01	...Terminal, Male (18 AWG)	2
4	22-02394-00	...Cable Seal (18 AWG)	2
5	22-50078-40	...Connector, Female, 2 Pin	1
6	22-50078-48G	...Terminal, Female (10 AWG)	2
7	22-50078-52E	...Cable Seal (10 AWG)	2
8	22-50078-39A	...Lock, Secondary	2
9	AC201-905	...Condenser Motor Harness	2
10	22-01502-00	...Terminal, Male Nylon, Insulated Push On (18 AWG)	2



NOTE: Complete Wire Harnesses are Non-Stock Items. Replacement Components are Listed and can be cross referenced to supplier part number in manual T-375PL.

2.1.6 CM-2, CONDENSER HARNESS 22-62206-00: OPTION 3

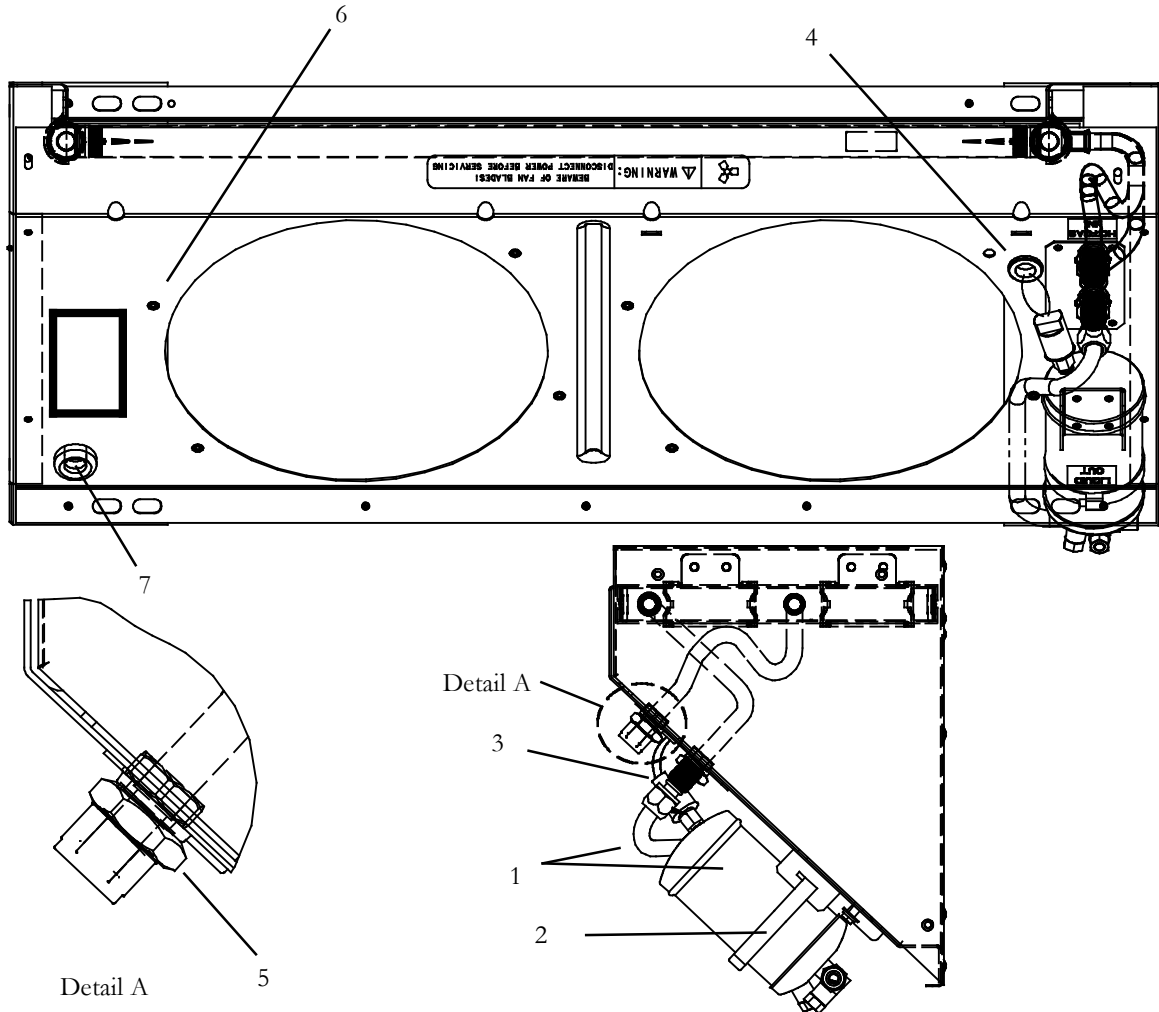


USED ON CONDENSER UNIT
77-00273-16

Item	Part Number	Description	Qty
1	22-62206-00	Harness, Condenser - Includes:	NSI
2	22-50078-72	...Connector, Male, 2 Pin	1
3	22-50078-46A	...Terminal, Male (18 AWG)	2
4	22-50078-50A	...Cable Seal (18 AWG)	2
5	22-50078-72A	...Lock, Secondary	2
6	22-50098-67	...Connector, Male, 2 Pin	1
7	22-50098-67B	...Terminal, Female (8 AWG)	2
8	22-50098-67D	...Cable Seal (8 AWG)	2
9	AC201-905	...Condenser Motor Harness	2
10	22-01502-00	...Terminal, Male Nylon, Insulated Push On (18 AWG)	2



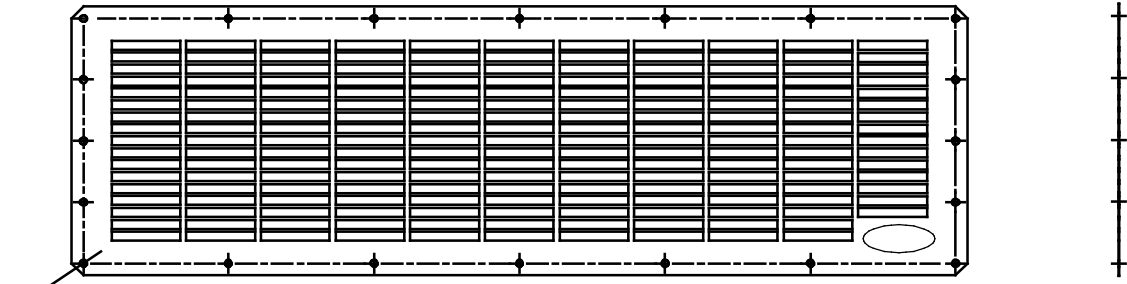
2.1.7 CONDENSER COIL REPLACEMENT KIT, CM-2 , SLIM LINE MICRO-CHANNEL (MCHX) : ALL 77-00273-XX



Item	Part Number	Description	Qty
-	77-00249-50	CM-2 Service Chassis Kit - Includes:	1
1	65-00193-00	...Receiver, With Filter Drier	1
2	44-00045-19	...Clamp, Hose, Worm Type, Range: 2.56-3.50 Inches	1
3	AC201-414	...Switch, High Pressure, 400 - 300	1
4	58-04764-00	...Grommet, .25 ID x .84 Groove	1
5	34-06088-07	...Nut, Hex, Jam, 3/4-16	2
6	N/A	...1/4-20 X 1" (Provided In Bag)	-
7	58-62019-00	...Bushing, Strain Relief (Provided In Bag)	1



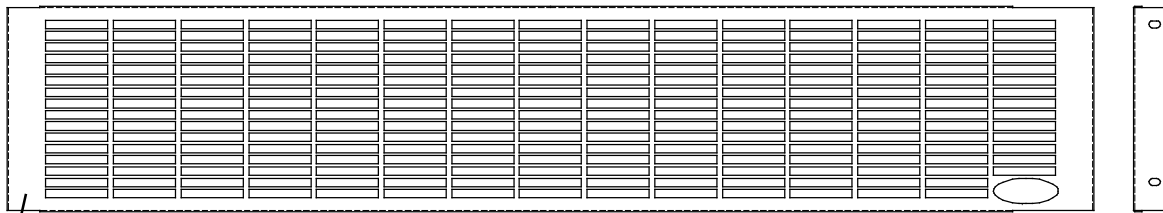
2.1.8 CONDENSER, CM-2, MCHX, GRILL ASSEMBLY: OPTION 1



Ref. Kit 77-01299-11 & -60
 Ref. Kit 77-00273-11, -12 & -60

Item	Part Number	Description	Qty
1	68-08122-01	Grill, Skirt Mounted, 37.50 x 11.25 Inches (Black Smooth)	1
	68-08122-02	Grill, Skirt Mounted, 37.50 x 11.25 Inches (White Textured)	1

2.1.8 CONDENSER, CM-2, MCHX, GRILL ASSEMBLY: OPTION 2

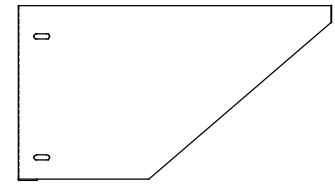
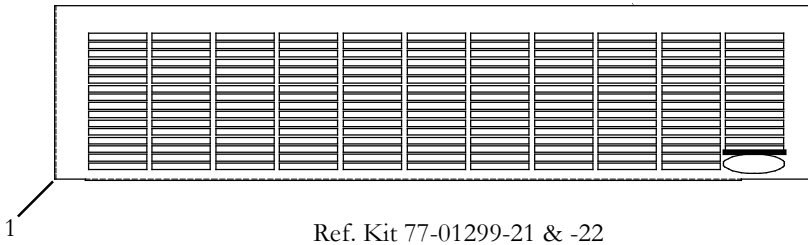


Ref. Kit 77-01299-20, -30 & -61
 Ref. Kit 77-00273-20, -30, -35 & -61

Item	Part Number	Description	Qty
1	68-08124-00	Grill Assembly, Condenser	1



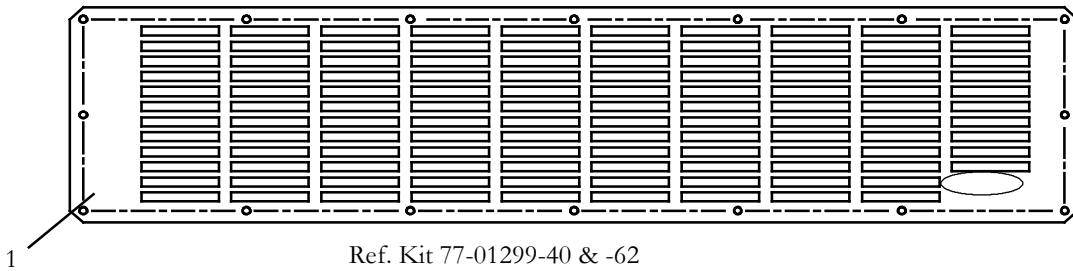
2.1.8 CONDENSER, CM-2, MCHX, GRILL ASSEMBLY: OPTION 3



Ref. Kit 77-01299-21 & -22

Item	Part Number	Description	Qty
1	68-62494-00	...Wrapper, Condenser, White	1

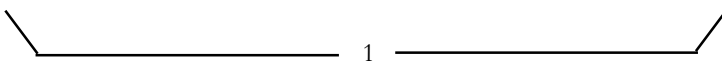
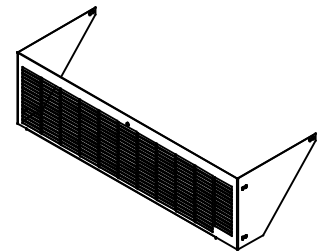
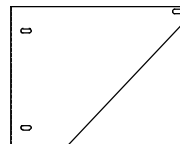
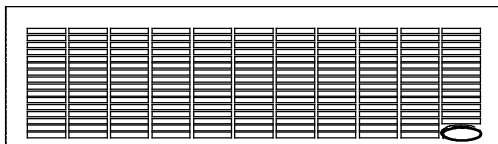
2.1.8 CONDENSER, CM-2, MCHX, GRILL ASSEMBLY: OPTION 4



Ref. Kit 77-01299-40 & -62
Ref. Kit 77-00273-40 & -62

Item	Part Number	Description	Qty
1	AC033-150	...Grille, Condenser, Painted	1

2.1.8 CONDENSER, CM-2, MCHX, GRILL ASSEMBLY; OPTION 5



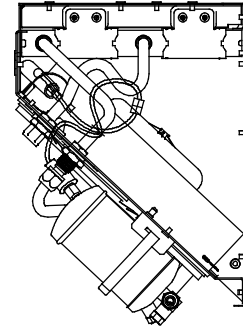
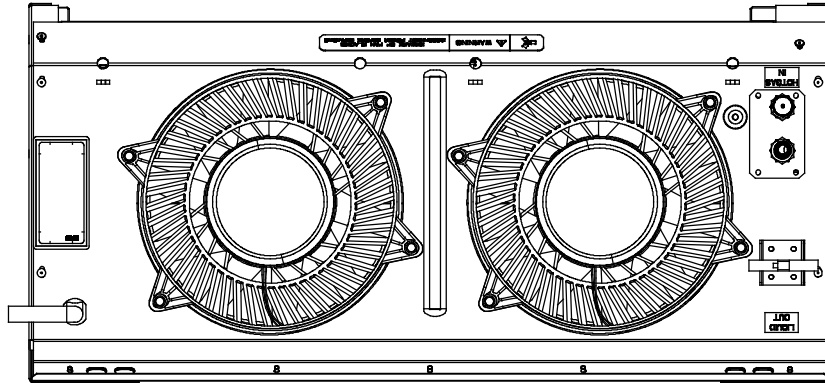
Ref. Kit 77-00273-21 & -22

Reference Only

Item	Part Number	Description	Qty
1	68-08277-00	...Wrapper, Condenser, White	1



2.1.9 CONDENSER, CM-2 HEAVY DUTY MCHX, CHASSIS KIT (12V) COMMON PARTS



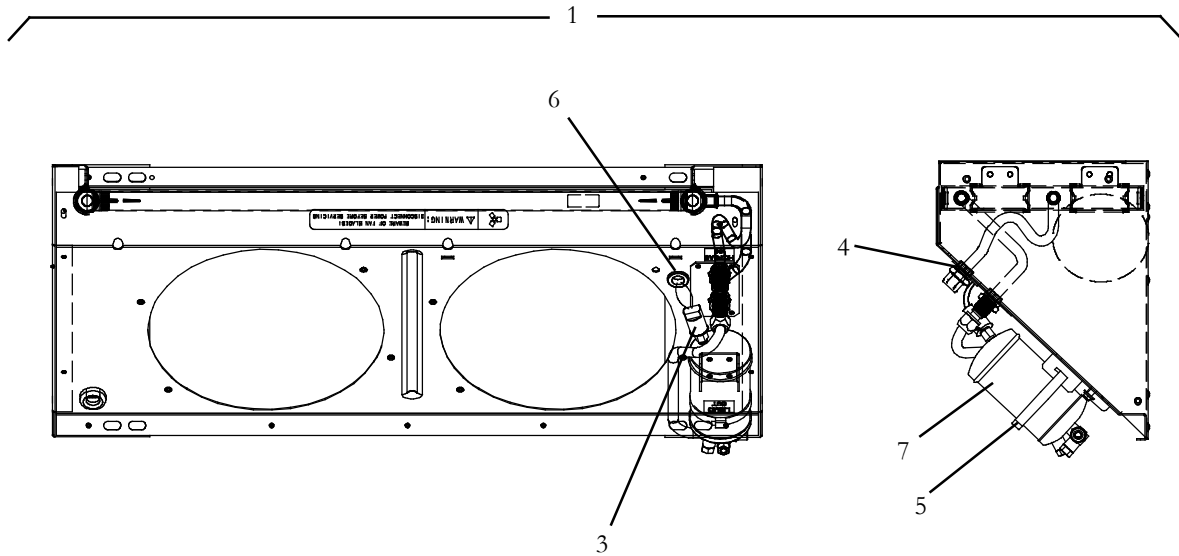
USED ON UNITS Y19-CM201-11 & -20

REFERENCE CHASSIS KITS Y24-CM201-00 & -01

Item	Part Number	Description	Qty
1	54-00618-03	Fan & Motor Assembly, 11" Vector, 12VDC W/Fuse	2
2	22-02336-25	. . . Fuse, 20A	1
3	12-00299-23	Switch, Pressure (Opens 390-410 psig - Close 290-310 psig)	1
4	34-06088-07	Nut, #8 ORS	2
5	44-00045-19	Clamp, Hose	1
6	58-04764-00	Grommet, Boot Type	1
7	58-62019-00	Bushing, Strain Relief	1
8	65-00193-00	Receiver/Filter Drier	1
9	-	Harness, CM-3, Butt Splice Interface (See Section 2.2.10)	NSI
10	68-08122-01	Grill, Skirt Mounted, (Used with Y19-CM201-11 Only) (See Section 2.1.8)	1
11	68-08124-00	Grill, Chassis Mounted, (Used with Y19-CM201-20 Only) (See Section 2.1.8)	1



2.1.9 CONDENSER, CM-2 HEAVY DUTY MCHX, SERVICE REPLACEMENT CHASSIS (12V)



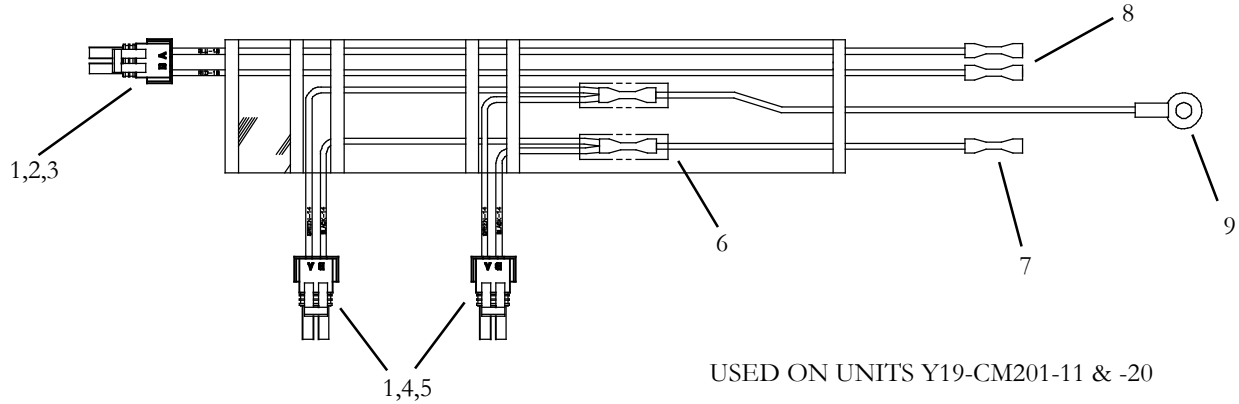
USED ON UNITS Y19-CM201-11 & -20
 REFERENCE CHASSIS KITS Y24-CM201-00 & -01

Item	Part Number	Description	Qty
1	Y74-CM201-50	Replacement Chassis Kit: Includes	1
2	NSS	. . . Coil, Condenser, MCHX (E-Coating)	1
3	12-00299-23	. . . Switch, Pressure (Opens 390-410 psig - Close 290-310 psig)	1
4	34-06088-07	. . . Nut, #8 ORS	2
5	44-00045-19	. . . Clamp, Hose	1
6	58-04764-00	. . . Grommet, Boot Type	1
7	65-00193-00	. . . Receiver/Filter Drier	1



NOTE: Complete Wire Harnesses are Non-Stock Items. Replacement Components are Listed and can be cross referenced to supplier part number in manual T-375PL.

2.1.10 CM-2, CONDENSER HARNESS , HEAVY DUTY MCHX, 12 VDC (Y24-00080-00)



USED ON UNITS Y19-CM201-11 & -20
REFERENCE CHASSIS KITS Y24-CM201-00 & -01

Item	Part Number	Description	Qty
1	22-01585-00	Connector, Female, 2 -Way	4
2	22-01566-01	Terminal, Female, 18-20 AWG	2
3	22-02394-02	Seal, Cable	2
4	22-01566-00	Terminal, Female, 14-16 AWG	4
5	22-02394-00	Seal, Cable	4
6	N/A	Butt Connector, Step Down, 12-10 AWG W/Heat Shrink	2
7	N/A	Butt Splice, W/Heat Shrink, 8 AWG	1
8	N/A	Butt Splice, W/Heat Shrink, 18 AWG	2
9	N/A	Ring Terminal, W/Heat Shrink, 8 AWG - 1/4" Ring	1

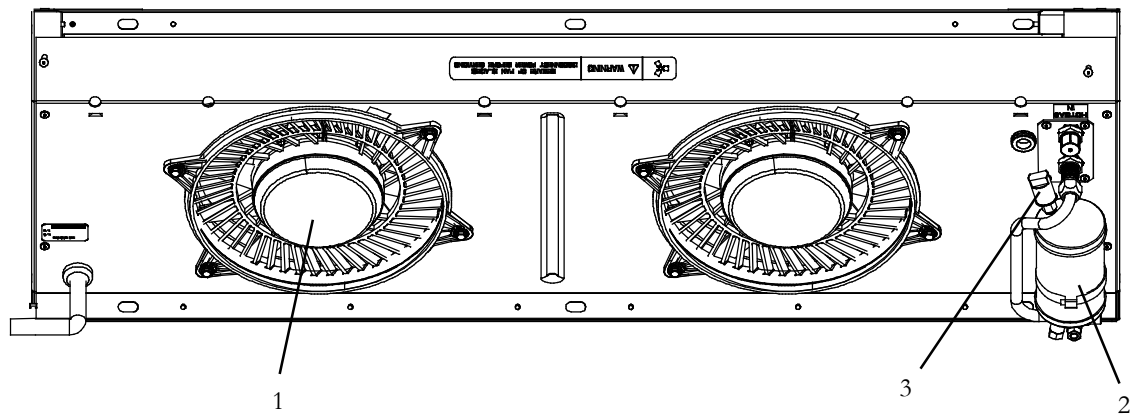
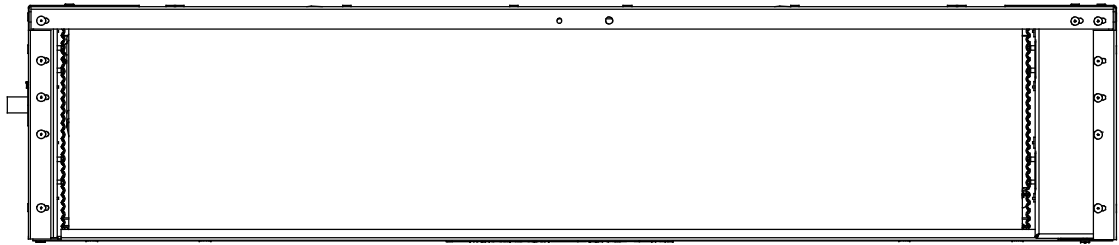


OPTION TABLE CM2L MCHX Y19-CM2L1 UNITS

MODEL CM2 MCHX (Top Level) Y19-CM2L1-XX	Chassis Kit (See Section 2.1.11)	Elec. Harness (See Section 2.1.12)	Grill Options (See Section 2.1.13)
-00	1	1	N/A
-11	1	1	2
-20	1	1	1
-40	1	1	3



2.1.11 CONDENSER, CM2 (Long) , CHASSIS KIT (ALL)



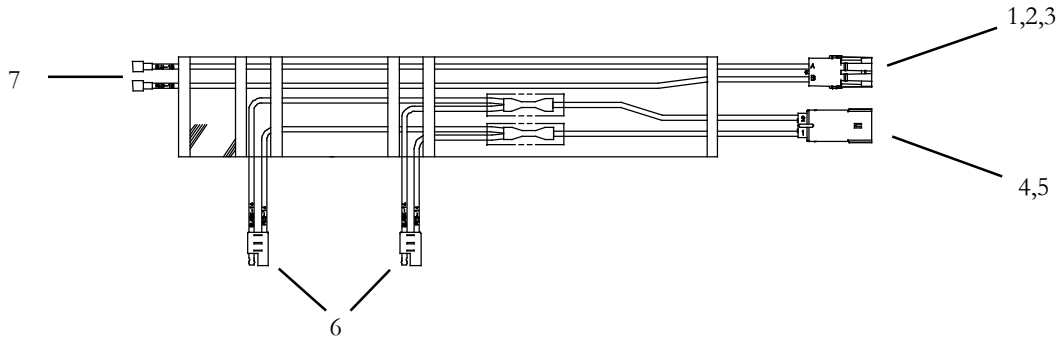
REF: Y24-CM2L1-00 & -02

Item	Part Number	Description	Qty
1	54-00618-01	Fan & Motor Assembly, 11" Vector w/Fuse, 12VDC	2
2	65-00193-00	Receiver, w/Filter Drier	1
3	201-414	Pressure switch, 400-300 psig	1
4	NSI	Harness, Electrical (See Section 2.1.12)	1



NOTE: Complete Wire Harnesses are Non-Stock Items. Replacement Components are Listed and can be cross referenced to supplier part number in manual T-375PL.

2.1.12 CONDENSER, CM2 (Long), HARNESS , ELECTRICAL (ALL)

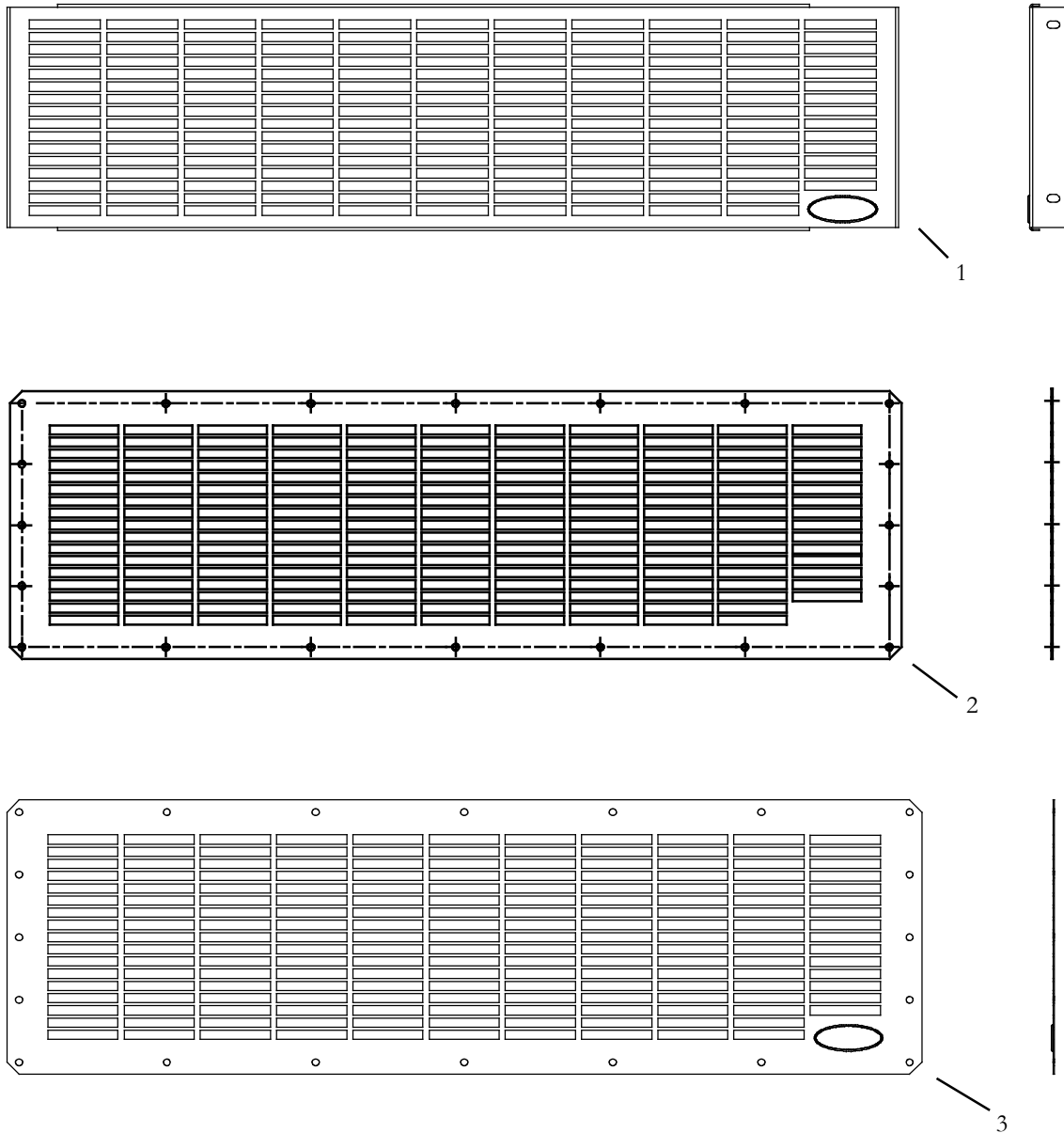


REF: 22-62273-00

Item	Part Number	Description	Qty
-	NSI	Harness, Condenser- Includes:	
1	22-02392-00Connector, 2 Pin, Black	1
2	22-02393-01Terminal, Male, (18-20 AWG)	2
3	22-02394-00Seal, Cable, Gray	2
4	22-50099-27	...Housing, Plug, 2 Pin	1
5	22-50099-27A	...Terminal, Male (8 AWG)	2
6	AC201-905	...Condenser Motor Harness	2
7	22-01502-00	...Terminal, Male, Insulated Push On (18 AWG)	2



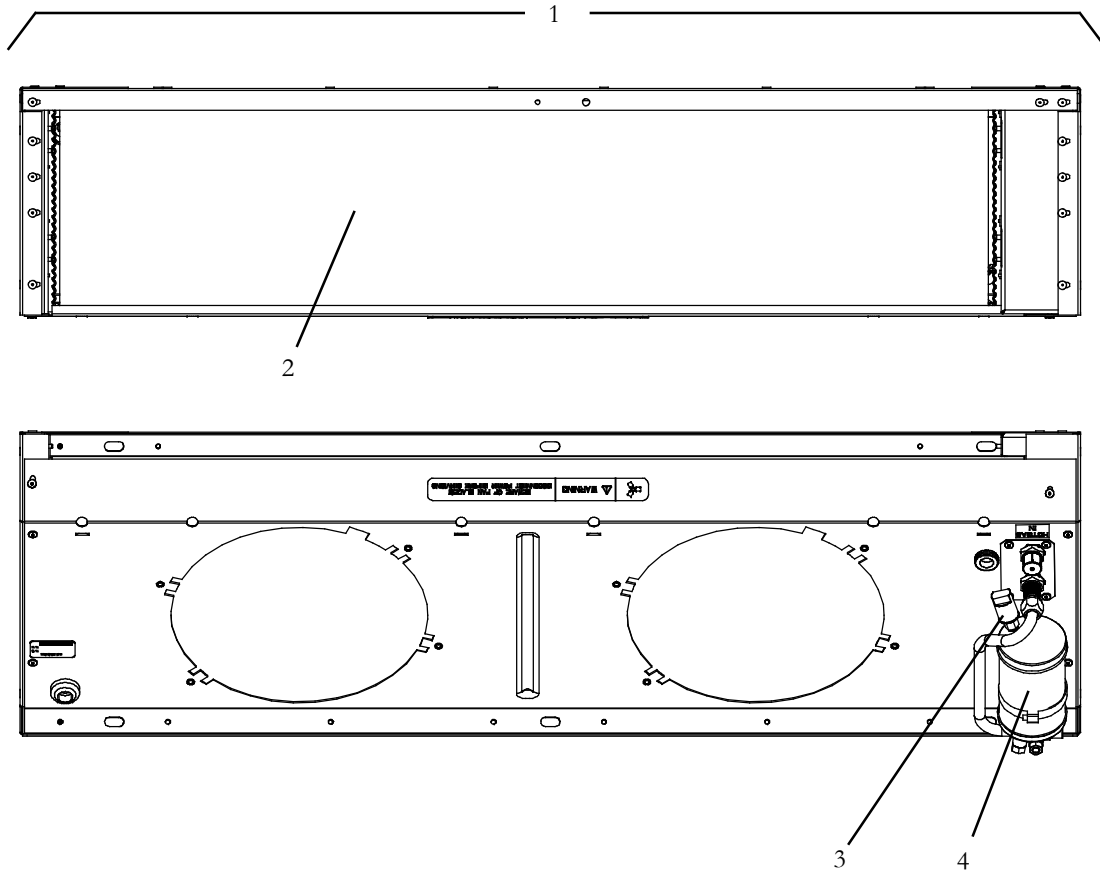
2.1.13 CONDENSER, CM2 (Long) , GRILLE, OPTIONS 1,2 & 3



Item	Part Number	Description	Qty
1	79-62014-30	Grille Assembly, BLK TXT MTD (Grille mounted): OPTION 1	1
2	68-08121-01	Grille, (Skirt Mounted) BLK Smooth: OPTION 2	1
3	79-62014-34	Grille Assembly, BLK TXT Short (Skirt mounted): OPTION 3	1



2.1.14 CONDENSER, CM2 (Long) , SERVICE REPLACEMENT CHASSIS



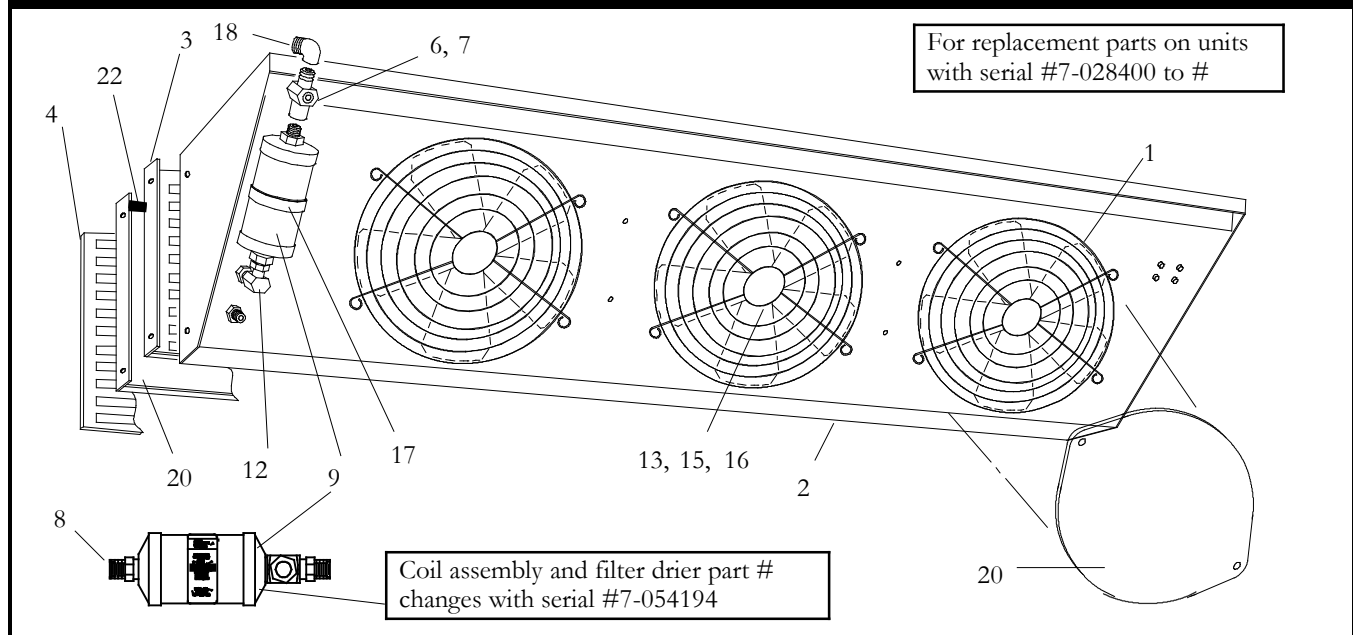
REF: Y24-CM2L1-50

Item	Part Number	Description	Qty
1	Y74-CM2L1-50	Replacement Chassis Kit: Includes:	1
2	NSS	. . . Coil, Condenser, MCHX	1
3	201-414	. . . Switch, Pressure	1
4	65-00193-00	. . . Receiver/Filter Drier	1



SECTION 2.2 CM-3 CONDENSERS

2.2.1 CONDENSER, CM-3, GEN 4



Item	Part Number	Description	Qty
1	AC030-234	Guard, Fan (Not used with 54-00618-01)	3
2	AC033-220	Coil Assembly, With Pressure Switches, (Before serial #7-054194)	1
	08-62035-01	Coil Assembly (Beginning w/serial #7-054194)	1
3	AC033-133P	Grill, Condenser Mounted, Black	1
	68-15461-00	Grill, Condenser Mounted, Black (MCHX)	1
4	AC033-135	Grill, Bus Skirt Mounted	1
5	AC033-144	Assembly, Tab, (Used with Condenser Mounted Grill)	1
6	AC101-200	Sightglass	1
7	AC801-220	O-Ring, 1/2 Inch MF-O, (Old)	2
8	AC801-202	O-Ring, 1/2 Inch HNBR, (New)	2
9	AC101-312	Filter Drier, 16 Cubic Inch, 1/2 Inch MFL-O, (Before serial #7-054194)	1
	14-00288-00	Filter Drier/Sightglass Combination, (Beginning with serial #7-054194)	1
10	AC201-414	Switch, High Pressure	1
11	AC201-412	Switch, Low Pressure	1
12	AC301-441	Fitting, Swivel Union, 1/2 Inch Female Flare X 1/2 Inch Female Flare (Old)	1
	40-62036-00	Fitting, Swivel Union, 1/2 Inch Female O-Ring X 1/2 Inch Female O-Ring	1
13	54-00618-01	Fan & Motor Assy, Vector, 12V W/Fuse, (No Repl. Motor) Includes:	3
	AC401-110	Assembly, Fan, 12 VDC - Includes:	3
13A	22-02336-25	...Fuse, 20 Amp	1
14	54-50080-00	...Motor, Fan, 12 VDC	1
	44-50024-00	...Clip, Fan Blade	1
15	CM205-197	Assembly, Fan, 24 VDC	3
16	22-62124-00	Harness, Condenser, CM-3	1
17	AC701-269	Clamp, Worm Gear, (Filter Drier)	1
18	-	Fitting, 90°, 1/2 Inch Male Flare X 1/2 Inch Female Flare, (Brass)	NSI



2.2.1 CONDENSER, CM-3, GEN 4 (Continued)			
Item	Part Number	Description	Qty
19	AC033-147	Kit, Winterization, Consisting Of:	1
20	AC033-145Cover, Fan, (Winterguard)	3
21	AC033-143Cover, Coil, (Winterguard)	1
22	AC801-412F25Gasket, Trim Seal, Black (25 Ft. Roll)	1

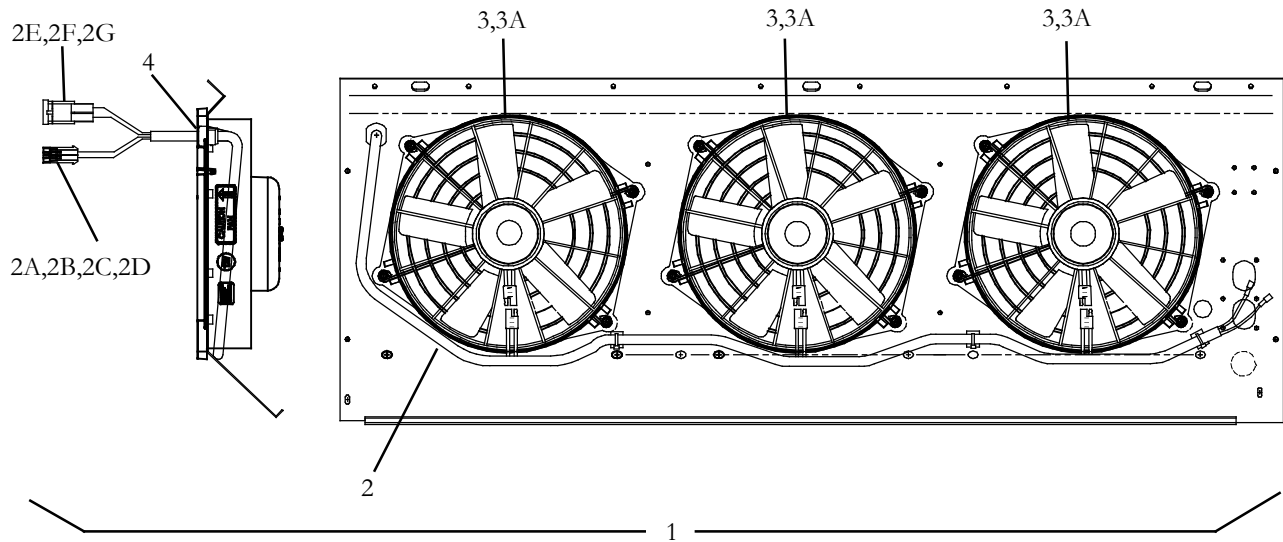


OPTION TABLE CM3 MCHX 77-01288 UNITS

MODEL CM3 MCHX (Top Level) 77-01288-XX	Chassis Kit (See Section 2.2.4)	Venturi Panel (See Section 2.2.2)	Elec. Harness (See Section 2.2.6)	Grill (See Section 2.2.8)
-00	1	5	3	N/A
-11	1	5	3	1
-12	1	2	-	-
-16	1	1	1	N/A
-20	1	5	3	2
-21	1	3	2	3
-22	1	3	2	3
-30	1	5	3	2
-40	1	5	3	4
-60	1	4	3	1
-61	1	4	3	2
-62	1	4	3	4
-96	1	5	3	2



2.2.2 CONDENSER, CM-3, MCHX, VENTURI ASSEMBLY: OPTION 1

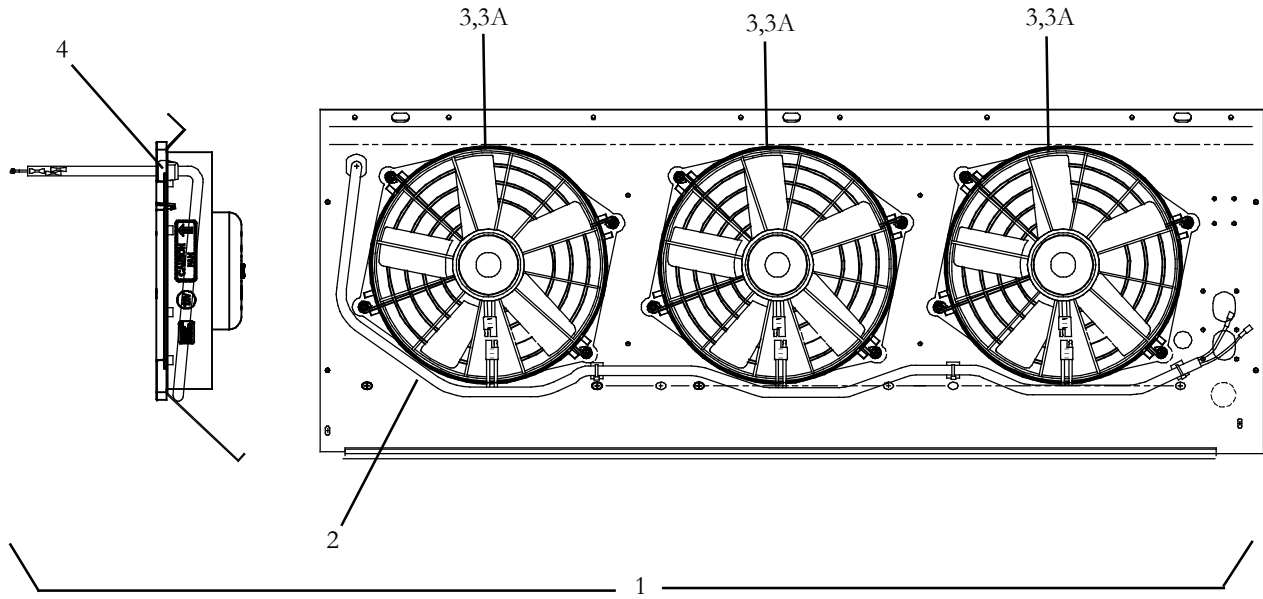


REFERENCE CHASSIS KIT 77-01277-00 C

Item	Part Number	Description	Qty
1	-	Venturi Assembly, CM-3 12VDC - Includes:	NSI
2	22-62205-00	...Harness, Connector, CM-3 - Includes:	NSI
2A	22-50078-72Connector, Male	1
2B	22-50078-46ATerminal, Male	2
2C	22-50078-50ASeal, Cable	2
2D	22-50078-72ALock, Secondary	1
2E	22-50098-67Connector, 2 Pin Black	1
2F	22-50098-67BTerminal, Male	2
2G	22-50098-67DSeal, Cable	2
3	54-00618-01	...Fan & Motor Assembly, Vector, 12V W/Fuse (No Repl. Motor) Includes:	3
3A	22-02336-25Fuse, 20 Amp	1
4	58-62019-00	...Bushing, Strain Relief	1



2.2.2 CONDENSER, CM-3, MCHX, VENTURI ASSEMBLY: OPTION 2

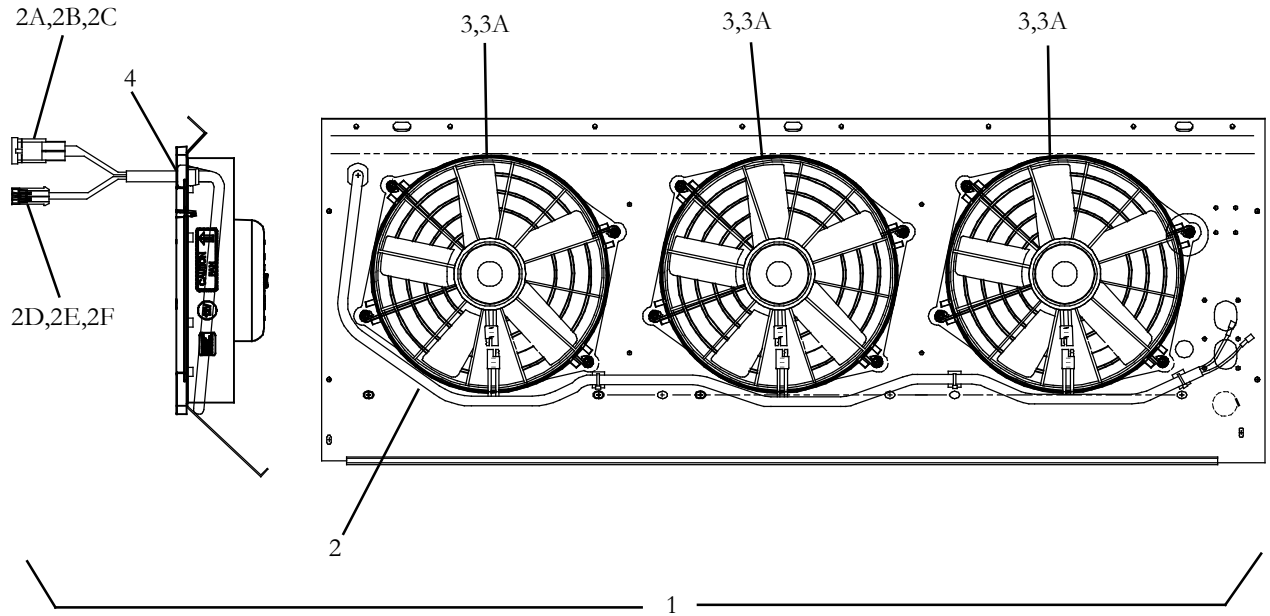


REFERENCE CHASSIS KIT 77-01277-02

Item	Part Number	Description	Qty
1	-	Venturi Assembly, CM-3 12VDC - Includes:	NSI
2	22-62124-00	...Harness, Connector, CM-3	NSI
3	54-00618-01	...Fan & Motor Assembly, Vector, 12V W/Fuse (No Repl. Motor) Includes:	3
3A	22-02336-25Fuse, 20 Amp	1
4	58-62019-00	...Bushing, Strain Relief	1



2.2.2 CONDENSER, CM-3, MCHX, VENTURI ASSEMBLY: OPTION 3

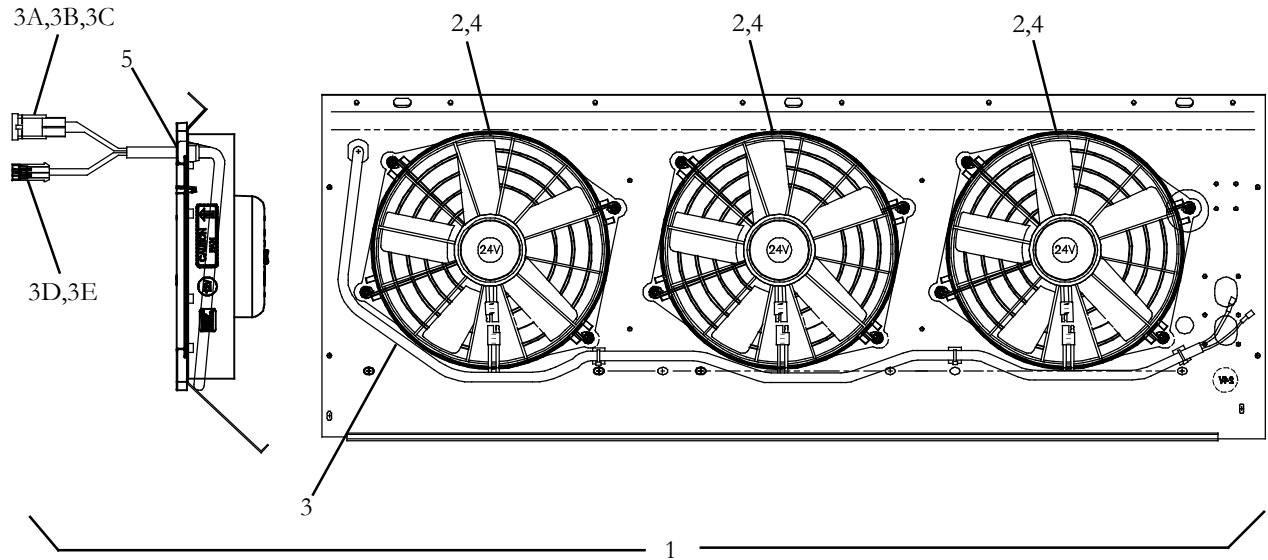


REFERENCE CHASSIS KIT 77-01277-04

Item	Part Number	Description	Qty
1	-	Venturi Assembly, CM-3 12VDC - Includes:	NSI
2	22-62258-00	...Harness, Connector, CM-3 - Includes:	NSI
2A	22-02392-00Connector, Male, 2 Pin Black	1
2B	22-02393-01Terminal, Male, (18-20 AWG)	2
2C	22-02394-00Seal, Cable, Gray	2
2D	22-50078-40Connector, 2 Pin, Female, Black	1
2E	22-50078-48GTerminal, Female, (10 AWG)	2
2F	22-50078-52ESeal, Cable, Orange	2
3	54-00618-01	...Fan & Motor Assembly, Vector, 12V/Fuse (No Repl. Motor) Includes:	3
3A	22-02336-25Fuse, 20 Amp	1
4	58-62019-00	...Bushing, Strain Relief	1



2.2.2 CONDENSER, CM-3, MCHX, VENTURI ASSEMBLY: OPTION 4

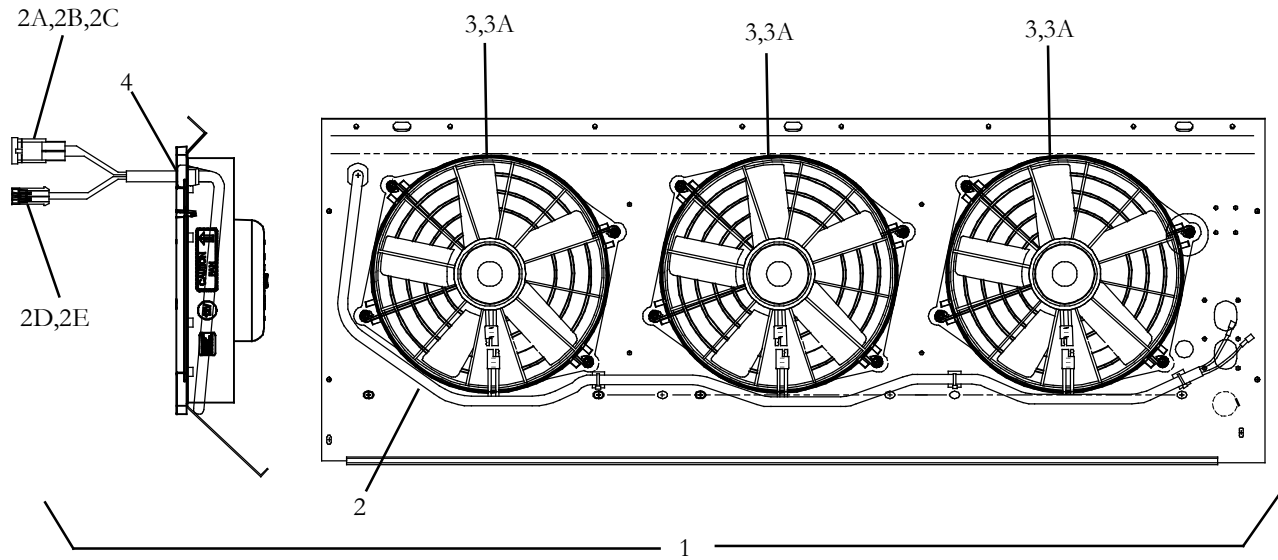


REFERENCE CHASSIS KIT 77-01277-60 F

Item	Part Number	Description	Qty
1	-	Venturi Assembly, CM-3 24VDC - Includes:	NSI
2	AC030-234	...Guard, Fan, Condenser	3
3	22-62272-00	...Harness, Connector, CM-3 - Includes:	NSI
3A	22-02392-00Connector, 2 Pin, Black	1
3B	22-02393-01Terminal, Male, (18-20 AWG)	2
3C	22-02394-00Seal, Cable, Gray	2
3D	22-50371-00Connector, 2 Pin	1
3E	22-50372-00Terminal, Male (8 AWG)	2
4	54-00545-00	...Fan & Motor Assembly, 24V	3
5	58-62019-00	...Bushing, Strain Relief	1



2.2.2 CONDENSER, CM-3, MCHX, VENTURI ASSEMBLY: OPTION 5

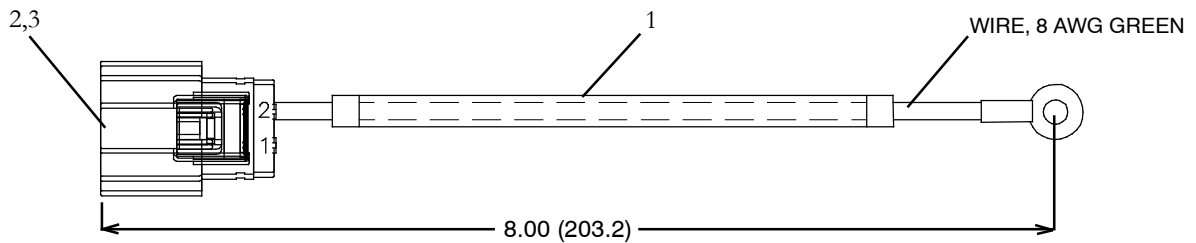


REFERENCE CHASSIS KIT 77-01277-05 F

Item	Part Number	Description	Qty
1	-	Venturi Assembly, CM-3 12VDC - Includes:	NSI
2	22-62272-00	...Harness, Connector, CM-3 - Includes:	NSI
2A	22-02392-00Connector, 2 Pin, Black	1
2B	22-02393-01Terminal, Male, (18-20 AWG)	2
2C	22-02394-00Seal, Cable, Gray	2
2D	22-50371-00Connector, 2 Pin	1
2E	22-50372-00Terminal, Male, (8 AWG)	2
3	54-00618-01	...Fan & Motor Assembly, Vector, 12V W/Fuse (No Repl. Motor) Includes:	3
3A	22-02336-25Fuse, 20 Amp	1
4	58-62019-00	...Bushing, Strain Relief	1

NOTE: Complete Wire Harnesses are Non-Stock Items. Replacement Components are Listed and can be cross referenced to supplier part number in manual T-375PL.

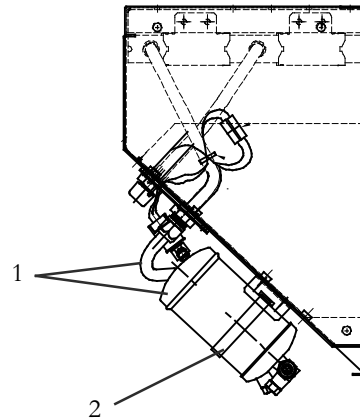
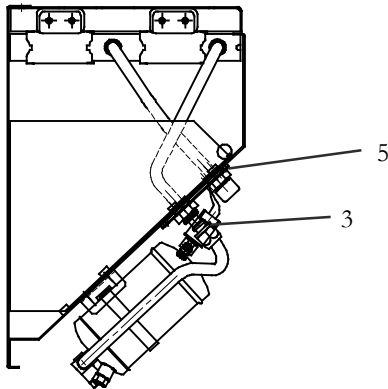
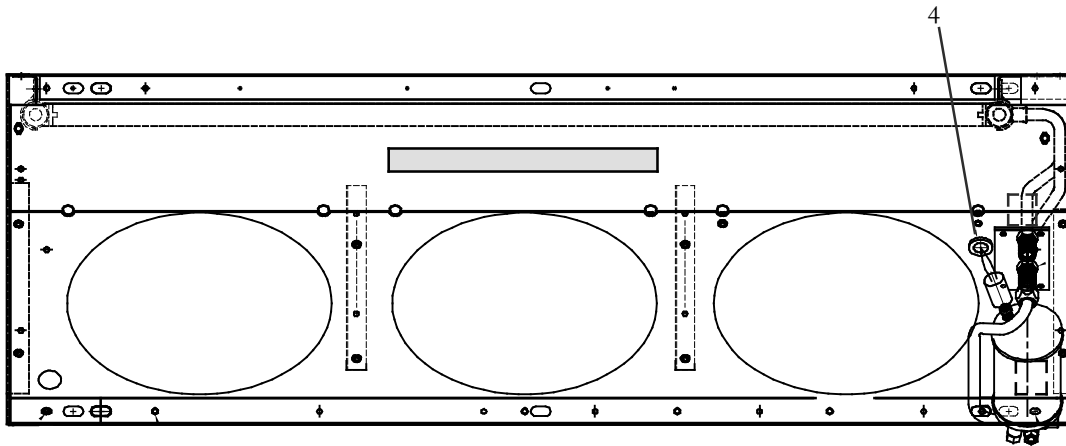
2.2.3 CM-3, CONDENSER GROUND/POWER HARNESS



Item	Part Number	Description	Qty
1	-	Harness, Condenser - Includes:	NSI
2	22-50099-28	...Housing, Receptacle, 2 Pin, Black	1
3	22-50099-28A	...Terminal, Female (8 AWG)	1



2.2.4 CONDENSER, CM-3, MCHX, REPLACEMENT CHASSIS (77-01277-50)



Superseded to Slim Line Version 77-00250-50

Item	Part Number	Description	Qty
-	N/A	CM-3 Service Chassis Kit - Includes: (Superseded to 77-00250-50)	1
1	65-00193-00	...Receiver, With Filter Drier	1
2	44-00045-19	...Clamp, Hose, Worm Type, Range: 2.56-3.50 Inches	1
3	AC201-414	...Switch, High Pressure, 400 - 300	1
4	58-04764-00	...Grommet, .25 ID x .84 Groove	1
5	34-06088-07	...Nut, Hex, Jam, 3/4-16	2

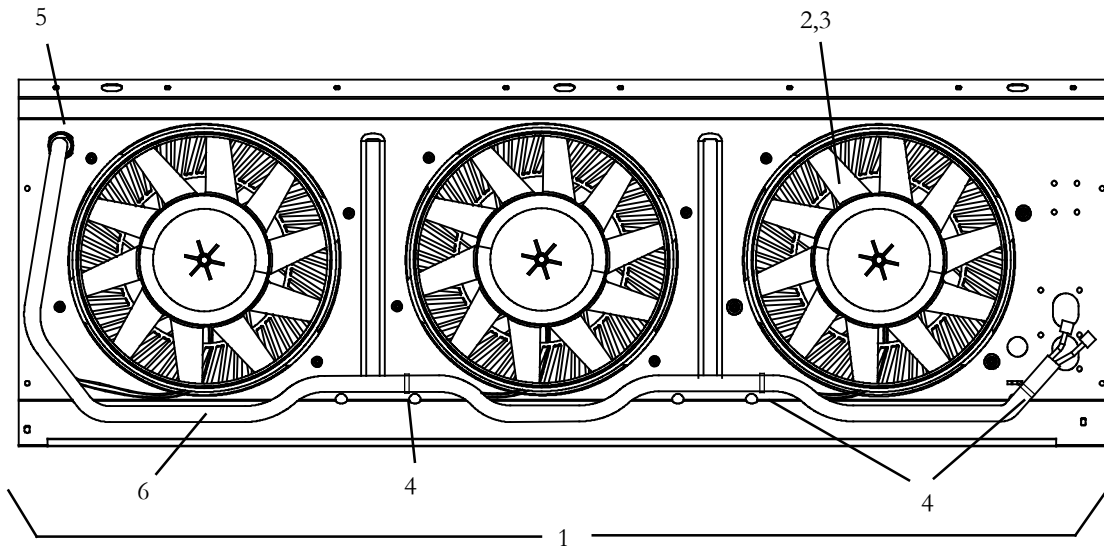


OPTION TABLE CM3 MCHX 77-00274 UNITS

MODEL CM3 MCHX (Top Level) 77-00274-XX	Chassis Kit (See Section 2.2.7)	Venturi Panel (See Section 2.2.5)	Elec. Harness (See Section 2.2.6)	Grill (See Section 2.2.8)
-00	1	1	3	N/A
-11	1	1	3	1
-12	1	1	3	1
-16	1	1	1	N/A
-20	1	1	3	2
-21	1	1	2	5
-22	1	1	2	5
-23	1	1	2	1
-30	1	1	3	2
-35	1	1	3	2
-40	1	1	3	4
-60	1	2	3	1
-61	1	2	3	2
-62	1	2	3	4



2.2.5 CONDENSER, CM-3 SLIM LINE MCHX, VENTURI ASSEMBLY (12V) COMMON PARTS: OPTION 1



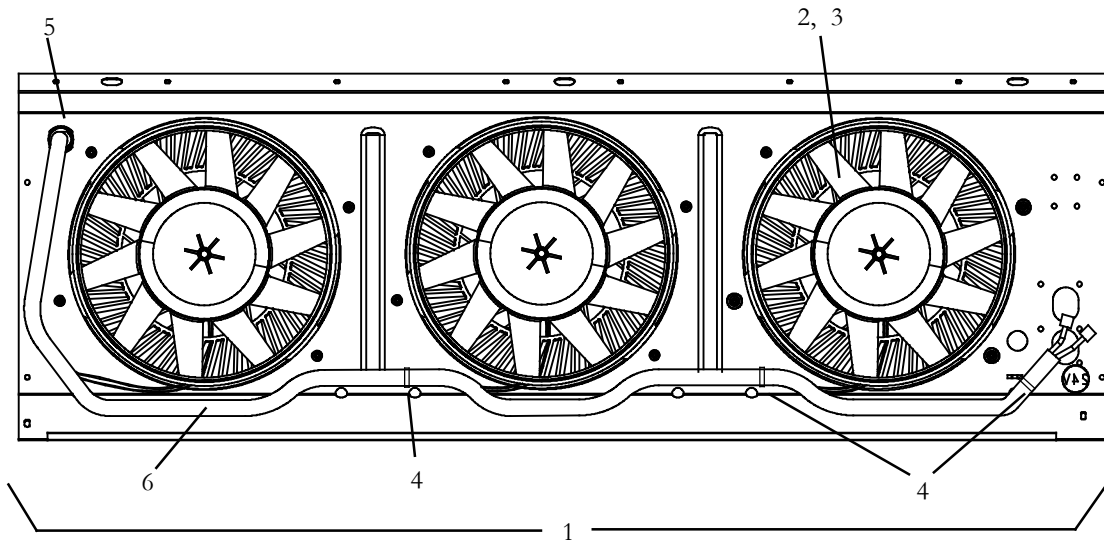
USED ON UNITS 77-00274-00, -11, -16, -20, -21, -22, -30 & -40

REFERENCE CHASSIS KITS 77-00250-00, 01, 02 & -03

Item	Part Number	Description	Qty
1	-	Venturi Assembly, CM-3 12VDC - Includes:	NSI
2	54-00618-01	...Fan & Motor Assembly, Vector, 12V, W/Fuse (No Repl. Motor) Includes:	3
3	22-02336-25Fuse, 20 Amp	1
4	58-00079-02	...Sta-Strap, 0-1.75" Dia. Cable	3
5	58-62019-00	...Bushing, Strain Relief	1
6	22-62273-XX	Refer to Sections 2.2.11 thru 2.2.13 for proper harness	1



2.2.5 CONDENSER, CM-3 SLIM LINE MCHX, VENTURI ASSEMBLY (24V) COMMON PARTS: OPTION 2



USED ON UNITS 77-00274-60, -61 & -62

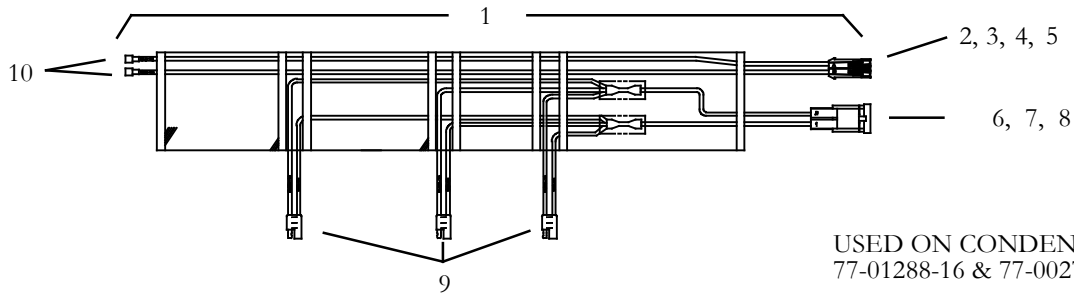
REFERENCE CHASSIS KITS 77-00250-60

Item	Part Number	Description	Qty
1	-	Venturi Assembly, CM-3-24VDC - Includes:	NSI
2	54-00618-02	...Fan & Motor Assembly, Vector, 24V, W/Fuse (No Repl. Motor) Includes:	3
3	22-02336-26Fuse, 25 Amp	1
4	58-00079-02	...Sta-Strap, 0-1.75" Dia. Cable	3
5	58-62019-00	...Bushing, Strain Relief	1
6	22-62273-XX	Refer to Sections 2.2.11 thru 2.2.13 for proper harness	1



NOTE: Complete Wire Harnesses are Non-Stock Items. Replacement Components are Listed and can be cross referenced to supplier part number in manual T-375PL.

2.2.6 CM-3, CONDENSER HARNESS 22-62205-00: OPTION 1



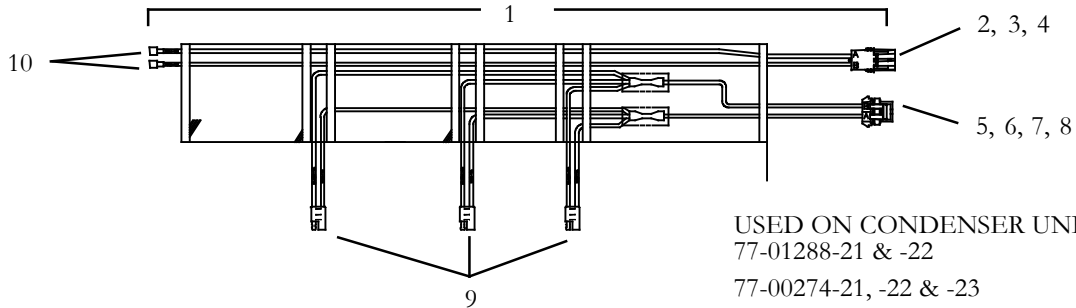
USED ON CONDENSER UNITS
77-01288-16 & 77-00274-16

Item	Part Number	Description	Qty
1	-	Harness, Condenser - Includes:	NSI
2	22-50078-72	...Connector, Male, 2 Pin	1
3	22-50078-46A	...Terminal, Male (18 AWG)	2
4	22-50078-50A	...Cable Seal (18 AWG)	2
5	22-50078-72A	...Lock, Secondary	2
6	22-50098-67	...Connector, Male, 2 Pin	1
7	22-50098-67B	...Terminal, Female (8 AWG)	2
8	22-50098-67D	...Cable Seal (8 AWG)	2
9	AC201-905	...Condenser Motor Harness	3
10	22-01502-00	...Terminal, Male Nylon, Insulated Push On (18 AWG)	2
N.S.	76-62308-00	Mating Connector and Parts for OEM Interface	1



NOTE: Complete Wire Harnesses are Non-Stock Items. Replacement Components are Listed and can be cross referenced to supplier part number in manual T-375PL.

2.2.6 CM-3, CONDENSER HARNESS 22-62258-00: OPTION 2

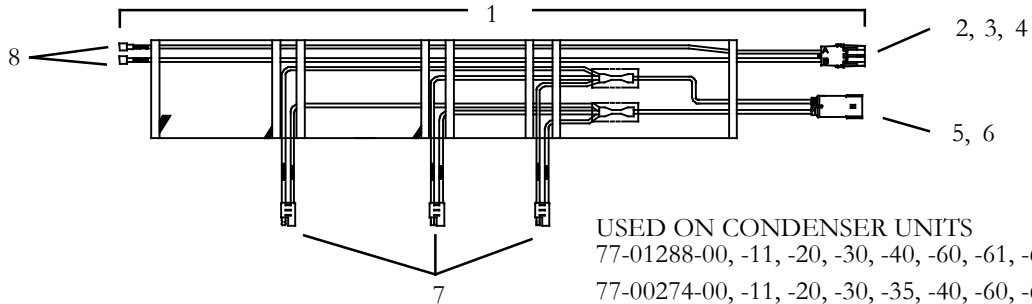


Item	Part Number	Description	Qty
1	-	Harness, Condenser - Includes:	NSI
2	22-02392-00	...Connector, Male, 2 Pin	1
3	22-02393-01	...Terminal, Male (18 AWG)	2
4	22-02394-00	...Cable Seal (18 AWG)	2
5	22-50078-40	...Connector, Female, 2 Pin	1
6	22-50078-48G	...Terminal, Female (10 AWG)	2
7	22-50078-52E	...Cable Seal (10 AWG)	2
8	22-50078-39A	...Lock, Secondary	2
9	AC201-905	...Condenser Motor Harness	3
10	22-01502-00	...Terminal, Male Nylon, Insulated Push On (18 AWG)	2
N.S.	76-62308-00	Mating Connector and Parts for OEM Interface	1



NOTE: Complete Wire Harnesses are Non-Stock Items. Replacement Components are Listed and can be cross referenced to supplier part number in manual T-375PL.

2.2.6 CM-3, CONDENSER HARNESS 22-62272-00: OPTION 3

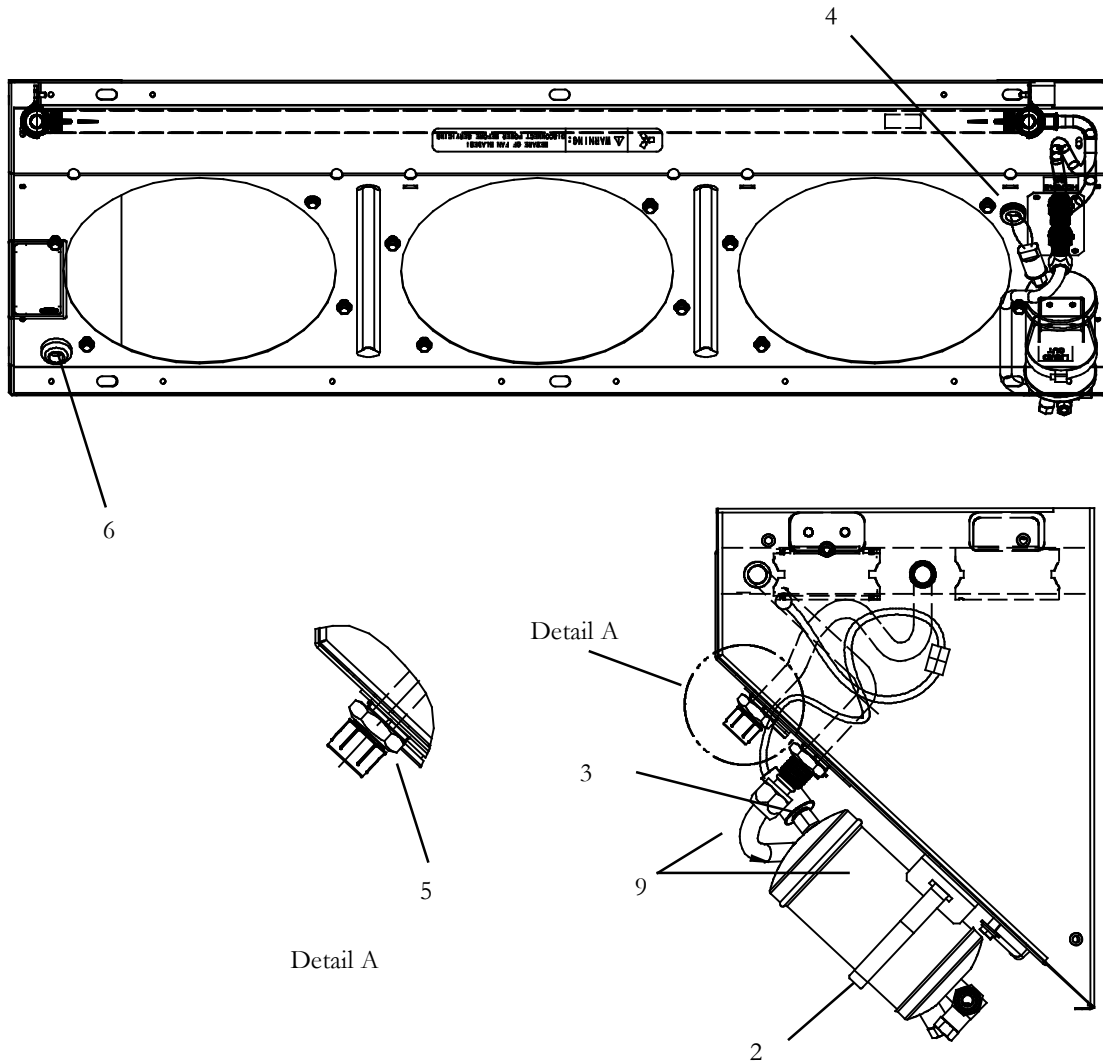


USED ON CONDENSER UNITS
 77-01288-00, -11, -20, -30, -40, -60, -61, -62 & -96
 77-00274-00, -11, -20, -30, -35, -40, -60, -61 & -62

Item	Part Number	Description	Qty
1	-	Harness, Condenser - Includes:	NSI
2	22-02392-00	...Connector, Male 2 Pin	1
3	22-02393-01	...Terminal, Male (18 AWG)	2
4	22-02394-00	...Cable Seal (18 AWG)	2
5	22-50099-27	...Housing, Plug, 2 Pin	1
6	22-50099-27A	...Terminal, Male (8 AWG)	2
7	AC201-905	...Condenser Motor Harness	3
8	22-01502-00	...Terminal, Male, Insulated Push On (18 AWG)	2
N/S	76-62308-00	Mating Connector and Parts for OEM Interface	1



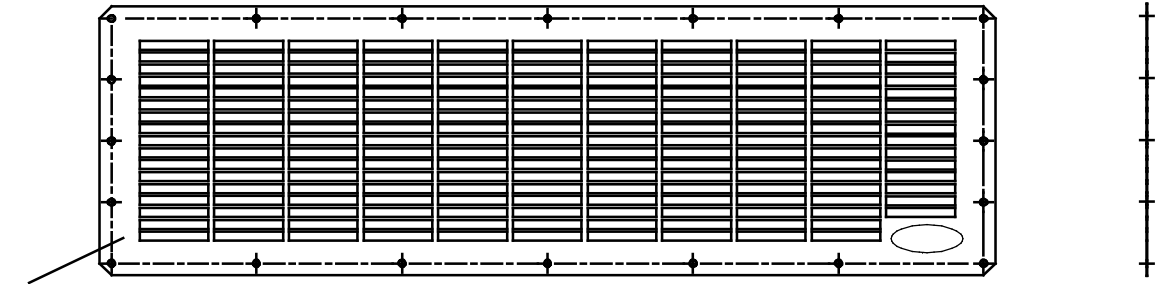
2.2.7 CONDENSER COIL REPLACEMENT KIT, CM-3 SLIM LINE, MICRO-CHANNEL (MCHX) : OPTION 1



Item	Part Number	Description	Qty
-	77-00250-50	CM-3 Service Chassis Kit - Includes:	1
1	65-00193-00	...Receiver, With Filter Drier	1
2	44-00045-19	...Clamp, Hose, Worm Type, Range: 2.56-3.50 Inches	1
3	AC201-414	...Switch, High Pressure, 400 - 300	1
4	58-04764-00	...Grommet, .25 ID x .84 Groove	1
5	34-06088-07	...Nut, Hex, Jam, 3/4-16	2
6	58-62019-00	... Bushing, Strain Relief	1



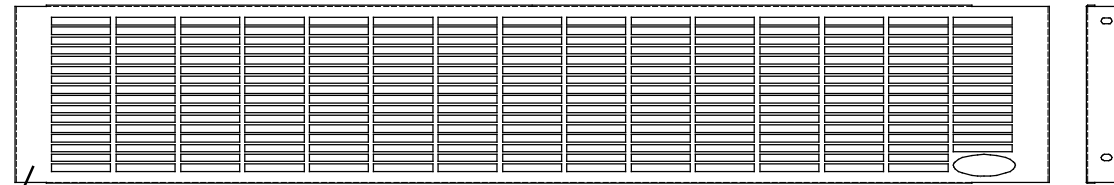
2.2.8 CONDENSER, CM-3, MCHX, GRILL ASSEMBLY: OPTION 1



Ref. Kit 77-01288-11 & -60 Ref. Kit Y19-CM301-11
 Ref. Kit 77-00274-11 & -60 Ref. Kit Y19-CM303-11

Item	Part Number	Description	Qty
1	68-08121-01	Grill, Skirt Mounted, (Black Smooth)	1
	68-08121-02	Grill, Skirt Mounted, (White Textured)	1

2.2.8 CONDENSER, CM-3, MCHX, GRILL ASSEMBLY (CHASSIS MOUNTED): OPTION 2

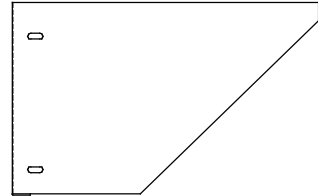
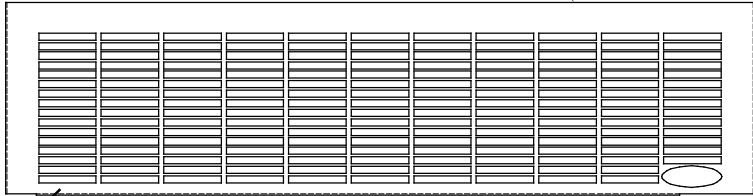


Ref. Kit 77-01288-20, -30 & 61 Ref. Kit Y19-CM301-20
 Ref. Kit 77-00274-20, -30 & 61 Ref. Kit Y19-CM303-20

Item	Part Number	Description	Qty
1	68-08123-00	...Grill, Condenser, Black Tecture	1



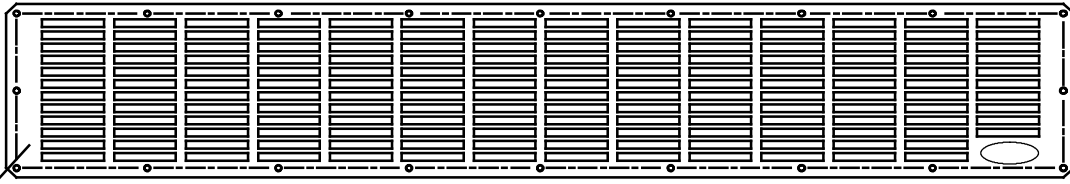
2.2.8 CONDENSER, CM-3, MCHX, GRILL ASSEMBLY (CHASSIS MOUNTED): OPTION 3



1 Ref. Kit 77-01288-21

Item	Part Number	Description	Qty
1	68-62495-00	...Wrapper, Condenser, White	1

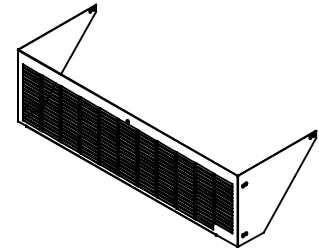
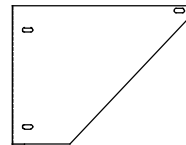
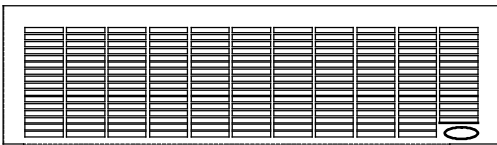
2.2.8 CONDENSER, CM-3, MCHX, GRILL ASSEMBLY: OPTION 4



1 Ref. Kit 77-01288-40 & -62 Ref. Kit Y19-CM303-40
Ref. Kit 77-00274-40 & -62

Item	Part Number	Description	Qty
1	AC033-151	...Grill, Black, Textured	1

2.2.8 CONDENSER, CM-3, MCHX, GRILL ASSEMBLY: OPTION 5



1

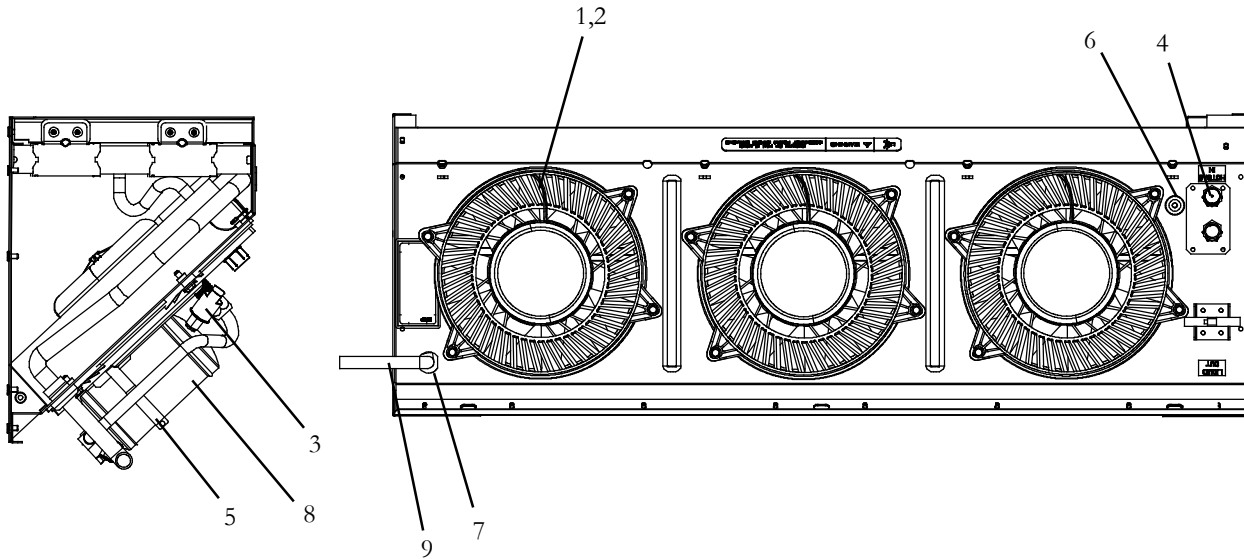
Ref. Kit 77-00274-21 & -22

Reference Only

Item	Part Number	Description	Qty
1	68-08278-00	...Wrapper, Condenser, White	1



2.2.9 CONDENSER, CM-3 HEAVY DUTY MCHX (E-Coated), CHASSIS KIT (12V) COMMON PARTS



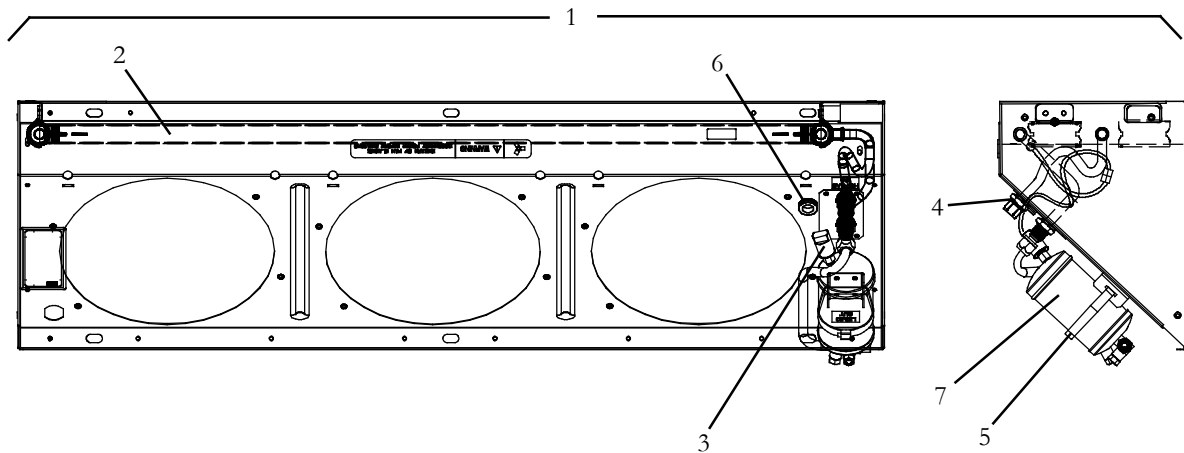
USED ON UNITS Y19-CM301-11 & -20

REFERENCE CHASSIS KITS Y74-CM301-00 & -01

Item	Part Number	Description	Qty
1	54-00618-03	Fan & Motor Assembly, 11" Vector, 12VDC W/Fuse	3
2	22-02336-25	. . . Fuse, 20A	1
3	12-00299-23	Switch, Pressure (Opens 390-410 psig - Close 290-310 psig)	1
4	34-06088-07	Nut, #8 ORS	2
5	44-00045-19	Clamp, Hose	1
6	58-04764-00	Grommet, Boot Type	1
7	58-62019-00	Bushing, Strain Relief	1
8	65-00193-00	Receiver/Filter Drier	1
9	-	Harness, CM-3, Butt Splice Interface (See Section 2.2.10)	NSI
NS	68-08121-01	Grill, Skirt Mounted, (Used with Y19-CM301-11 Only) (See Section 2.2.8)	1
10	68-08123-00	Grill, Chassis Mounted, (Used with Y19-CM301-20 Only) (See Section 2.2.8)	1



2.2.9 CONDENSER, CM-3 HEAVY DUTY MCHX, SERVICE REPLACEMENT CHASSIS (12V)



USED ON UNITS Y19-CM301-11 & -20

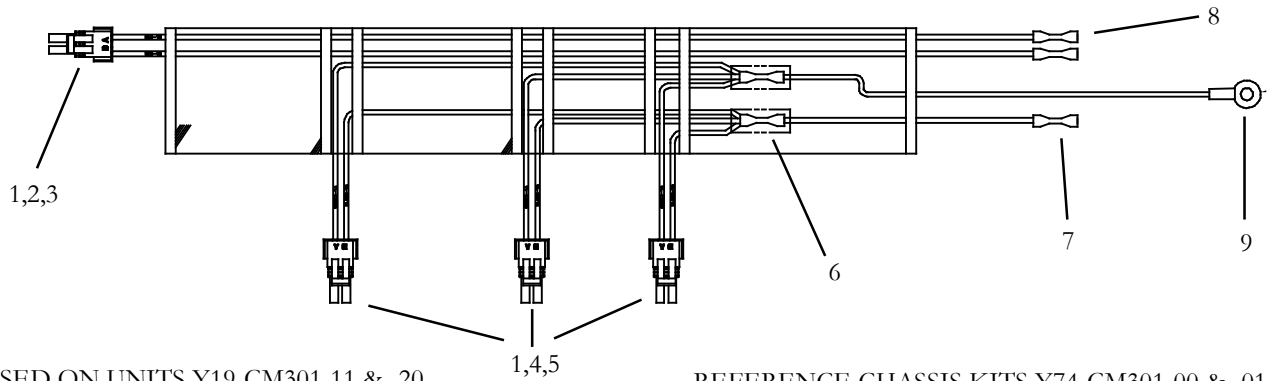
REFERENCE CHASSIS KITS Y74-CM301-00 & -01

Item	Part Number	Description	Qty
1	Y74-CM301-50	Replacement Chassis Kit: Includes	1
2	NSS	. . . Coil, Condenser, MCHX (E-Coating)	1
3	12-00299-23	. . . Switch, Pressure (Opens 390-410 psig - Close 290-310 psig)	1
4	34-06088-07	. . . Nut, #8 ORS	2
5	44-00045-19	. . . Clamp, Hose	1
6	58-04764-00	. . . Grommet, Boot Type	1
7	65-00193-00	. . . Receiver/Filter Drier	1



NOTE: Complete Wire Harnesses are Non-Stock Items. Replacement Components are Listed and can be cross referenced to supplier part number in manual T-375PL.

2.2.10 CM-3, CONDENSER HARNESS , HEAVY DUTY MCHX, 12 VDC (Y25-00079-00)



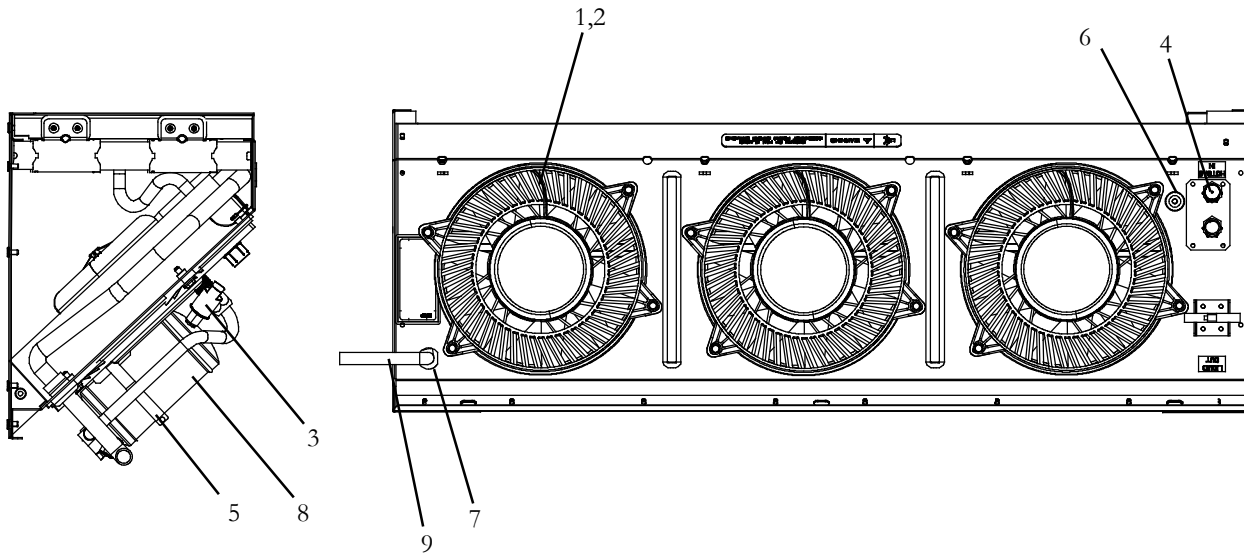
USED ON UNITS Y19-CM301-11 & -20
USED ON UNITS Y19-CM303-11, -20 & -40

REFERENCE CHASSIS KITS Y74-CM301-00 & -01
REFERENCE CHASSIS KITS Y74-CM303-00 & -01

Item	Part Number	Description	Qty
1	22-01585-00	Connector, Female, 2 -Way	4
2	22-01566-01	Terminal, Female, 18-20 AWG	2
3	22-02394-02	Seal, Cable	2
4	22-01566-00	Terminal, Female, 14-16 AWG	6
5	22-02394-00	Seal, Cable	6
6	N/A	Butt Connector, Step Down, 12-10 AWG W/Heat Shrink	2
7	N/A	Butt Splice, W/Heat Shrink, 8 AWG	1
8	N/A	Butt Splice, W/Heat Shrink, 18 AWG	2
9	N/A	Ring Terminal, W/Heat Shrink, 8 AWG - 1/4" Ring	1



2.2.11 CONDENSER, CM-3 HEAVY DUTY MCHX (Heavy Duty Fins), CHASSIS KIT (12V) COMMON PARTS



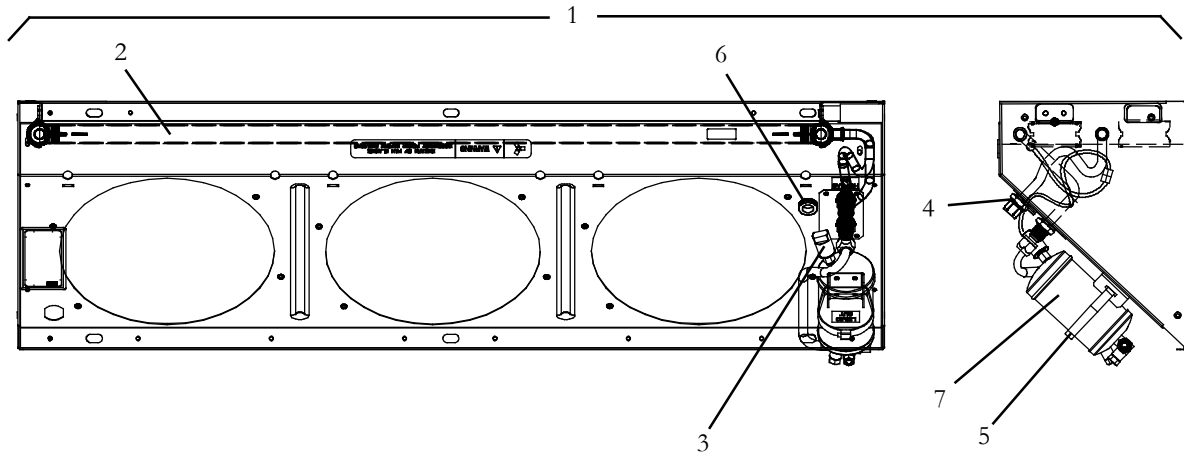
USED ON UNITS Y19-CM303-11, -20 & -40

REFERENCE CHASSIS KITS Y74-CM303-00 & -01

Item	Part Number	Description	Qty
1	54-00618-03	Fan & Motor Assembly, 11" Vector, 12VDC W/Fuse	3
2	22-02336-25	. . . Fuse, 20A	1
3	12-00299-23	Switch, Pressure (Opens 390-410 psig - Close 290-310 psig)	1
4	34-06088-07	Nut, #8 ORS	2
5	44-00045-19	Clamp, Hose	1
6	58-04764-00	Grommet, Boot Type	1
7	58-62019-00	Bushing, Strain Relief	1
8	65-00193-00	Receiver/Filter Drier	1
9	-	Harness, CM-3, Butt Splice Interface (See Section 2.2.10)	NSI
N.S.	68-08121-01	Grill, Skirt Mounted, (Used with Y19-CM303-11 Only) (See Section 2.2.8)	1
N.S.	AC033-151	Grill, Skirt Mounted, Short (Used with Y19-CM303-40 Only) (See Section 2.2.8)	1
N.S.	68-08123-00	Grill, Chassis Mounted, (Used with Y19-CM303-20 Only) (See Section 2.2.8)	1



2.2.9 CONDENSER, CM-3 HEAVY DUTY MCHXX (Heavy Duty Fins) , SERVICE REPLACEMENT CHASSIS (12V)

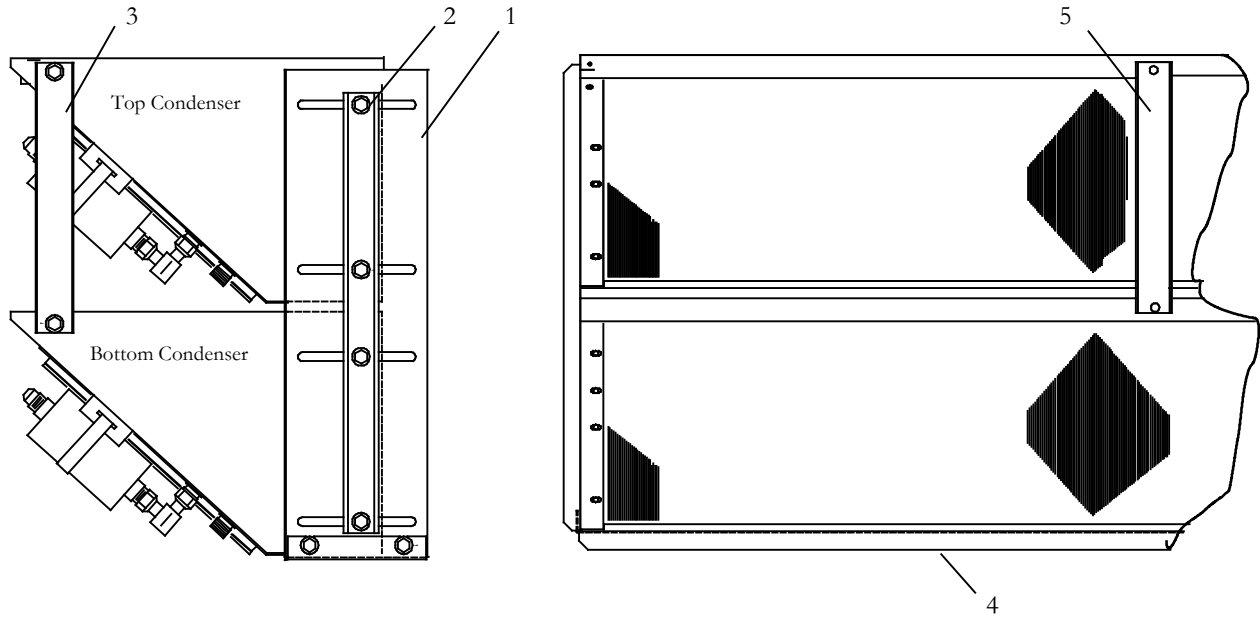


USED ON UNITS Y19-CM303-11, -20 & -40
 REFERENCE CHASSIS KITS Y74-CM303-00 & -01

Item	Part Number	Description	Qty
1	Y74-CM303-50	Replacement Chassis Kit: Includes	1
2	NSS	. . . Coil, Condenser, MCHX (E-Coating)	1
3	12-00299-23	. . . Switch, Pressure (Opens 390-410 psig - Close 290-310 psig)	1
4	34-06088-07	. . . Nut, #8 ORS	2
5	44-00045-19	. . . Clamp, Hose	1
6	58-04764-00	. . . Grommet, Boot Type	1
7	65-00193-00	. . . Receiver/Filter Drier	1



2.2.12 CONDENSER, STACKED, CM-2/CM-3



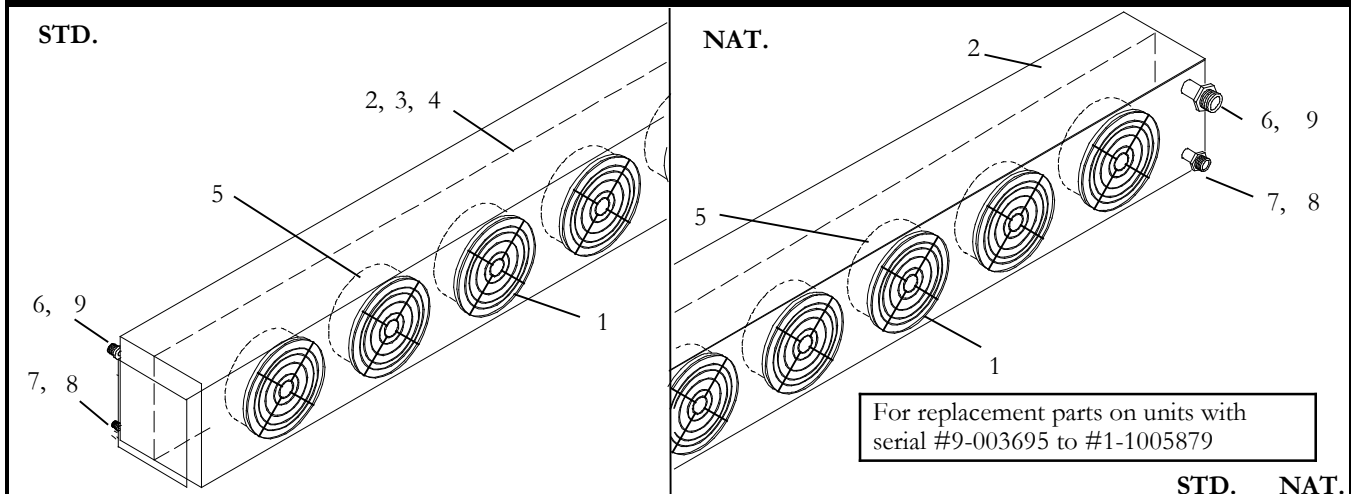
AC033-162 - KIT, CM-2 STACKED WITH BOTTOM SKIRTING (NSI)
 AC033-163 - KIT, CM-3 STACKED WITH BOTTOM SKIRTING (NSI)

Item	Part Number	Description	Qty
1	AC033-154	Bracket, Air Inlet, Stacked Condenser, Painted	NSI
2	AC033-158	Stiffner, Air Inlet, Stacked Condenser, Painted	NSI
3	AC033-155	Bracket, Air Outlet, Stacked Condenser, Painted	NSI
4	AC033-156	Plate, Block-Off, Stacked Condenser, Painted, 3 Fan Only	NSI
	AC033-157	Plate, Block-Off, Stacked Condenser, Painted, 2 Fan Only	NSI
5	AC033-160	Bracket, Front, Painted, (3 Fan Only)	NSI



SECTION 2.3 CM-5 CONDENSER

2.3.1 CONDENSER, CM-5

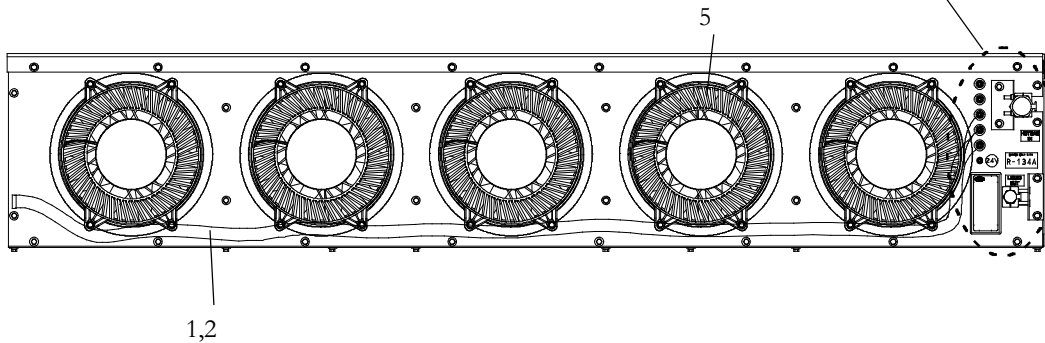
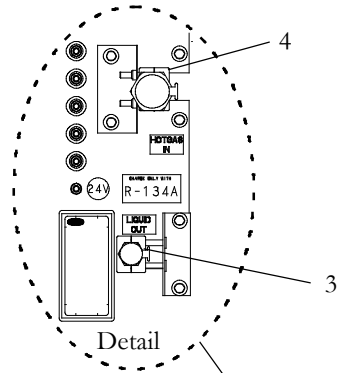
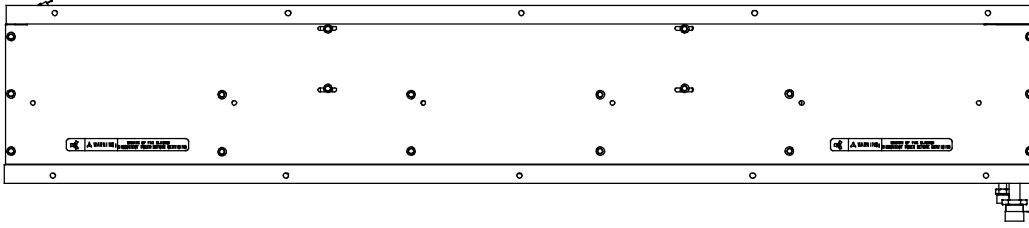


Item	Part Number	Description	STD. Qty	NAT. Qty
1	AC030-234	Guard, Fan	5	5
2	AC030-340	Coil Assembly	N/A	1
	81-62062-00	Coil Assembly - Includes:	1	N/A
3	08-62005-00	...Coil	1	N/A
4	14-00029-07	...Check Valve	1	N/A
N/S	22-02336-06	Fuse, 15 AMP	5	5
N/S	22-50078-23	Cover, Fuse	5	5
N/S	22-50078-22	Holder, Fuse	5	5
N/S	22-50078-49L	Terminal, Fuse	10	10
5	AC030-313	Assembly, Fan, 12 VDC	5	N/A
	AC030-314	Assembly, Fan, 24 VDC	5	N/A
	AC030-315	Assembly, Fan, 24 VDC, (2-Speeds)	5	5
N/S	10-00300-00	Solenoid, (Normally Open)	N/A	1
N/S	12-00299-11	Switch, Pressure-CFS/R134a	N/A	1
N/S	12-01132-00	Switch, Temperature (LATH)	1	N/A
6	40-00491-00	Fitting, ORS, (Discharge)	1	1
7	40-00491-09	Fitting, ORS, (Liquid)	1	1
N/S	AC201-615	Resistor, .25 OHM, With Mounting Brackets	N/A	1
8	42-00243-00	O-Ring, ORS, #16	1	1
9	42-00243-03	O-Ring, ORS, #10	1	1



2.3.2 CONDENSER, CM-5, FRONT and TOP VIEWS, 77-62001-00, -01 & -02

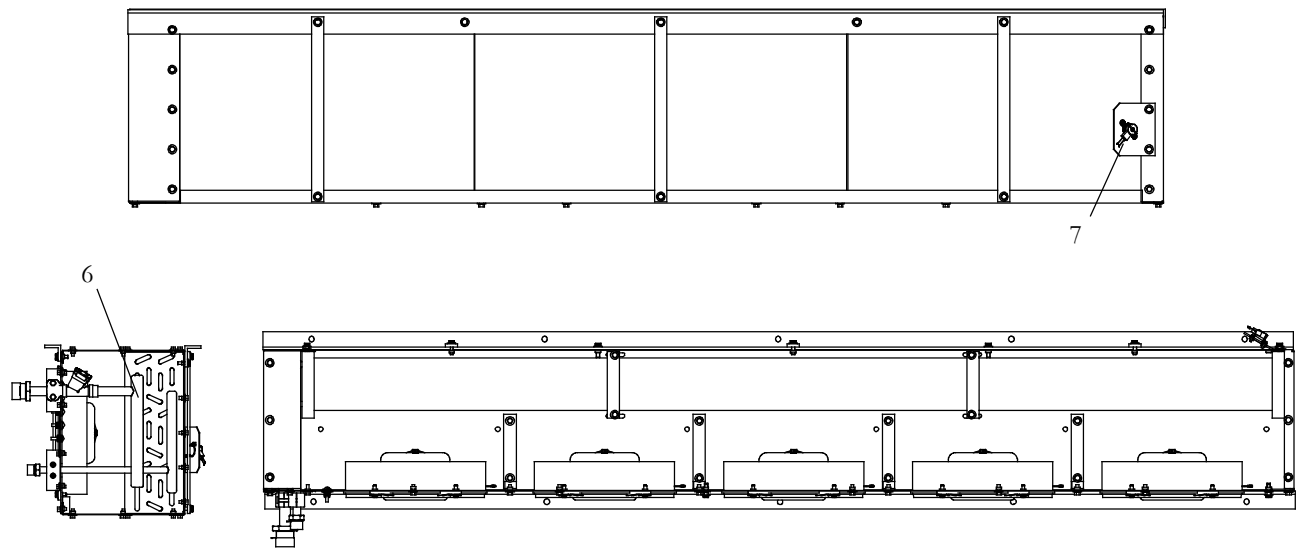
Top Panel Reference



Item	Part Number	Description	Qty
1	58-00079-02	Sta-Strap, 0-1.75 Dia. Cable	15
2	22-62012-00	Wire Harness, CM5 (See Section 2.3.4)	NSI
3	44-00285-82	Clamp, Tube, 5/8 in. O.D.	1
4	44-00285-83	Clamp, Tube, 7/8 in. O.D.	1
5	54-00618-02	Fan and Motor, 11 in. Vector, 24V W/Fuse	5



2.3.3 CONDENSER, CM-5, BACK, SIDE and BOTTOM VIEWS, 77-62001-00 , -01 & -02

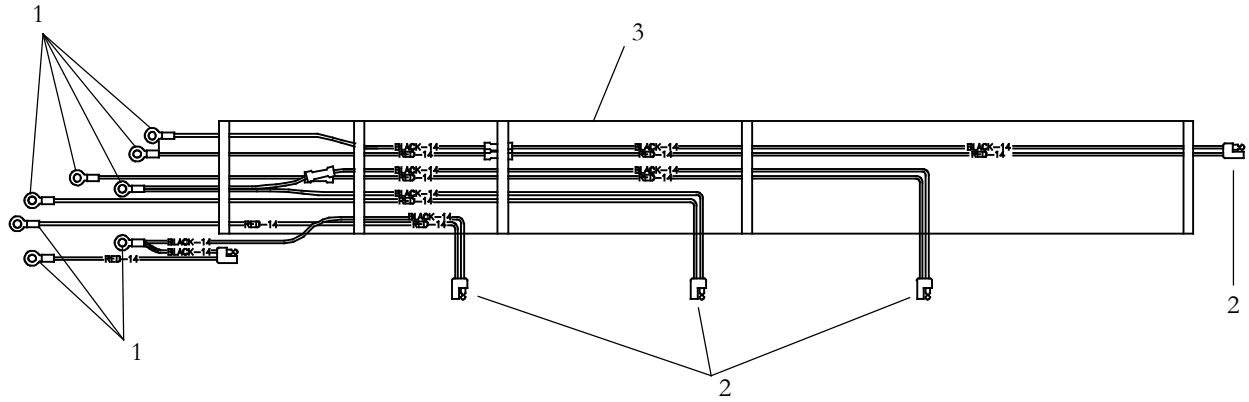


Item	Part Number	Description	Qty
6	81-62062-00	Coil Assembly - Includes:	1
	08-62005-00Coil	1
	14-00029-07Discharge Check Valve	1
7	12-01132-00	Switch, Temperature	1



NOTE: Complete Wire Harnesses are Non-Stock Items. Replacement Components are Listed and can be cross referenced to supplier part number in manual T-375PL.

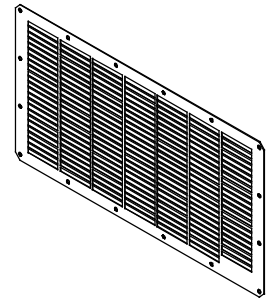
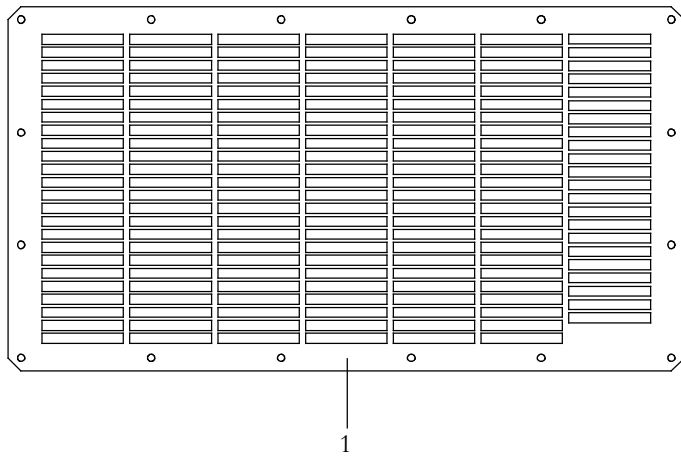
2.3.4 CONDENSER, CM-5, HARNESS ASSEMBLY - 22-62012-00



Used with CM5 Part # 77-62001-00

Item	Part Number	Description	Qty
1	22-01502-01	Terminal, Ring 1/4	8
2	22-01139-03	Connector, Male, Push On	4
3	58-00850-00	Split Loom, 1 in., Black	1

2.3.5 CONDENSER, CM-5, SKIRT MOUNTED GRILL

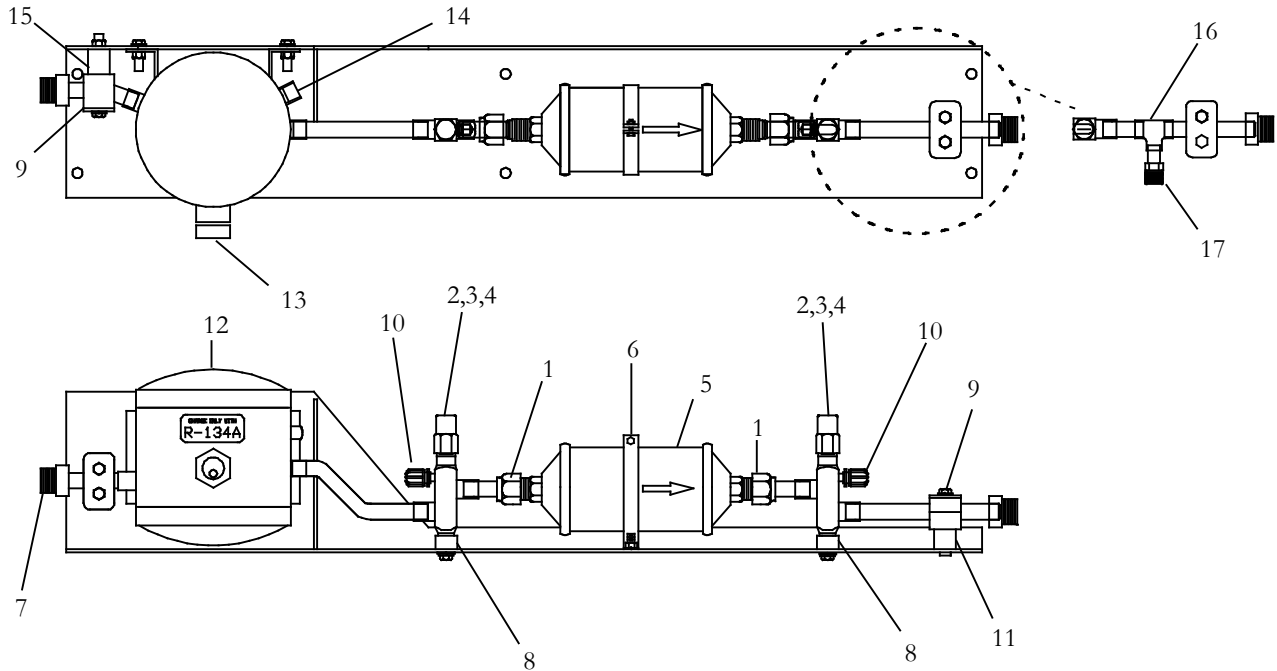


Reference Only

Item	Part Number	Description	Qty
1	68-62071-00	Grill, Condenser, SKT Mounted, 26 in. X 14 in.	3



2.3.6 LIQUID LINE ASSEMBLY, CM-5, CM-14, & C4RE, (REMOTE)

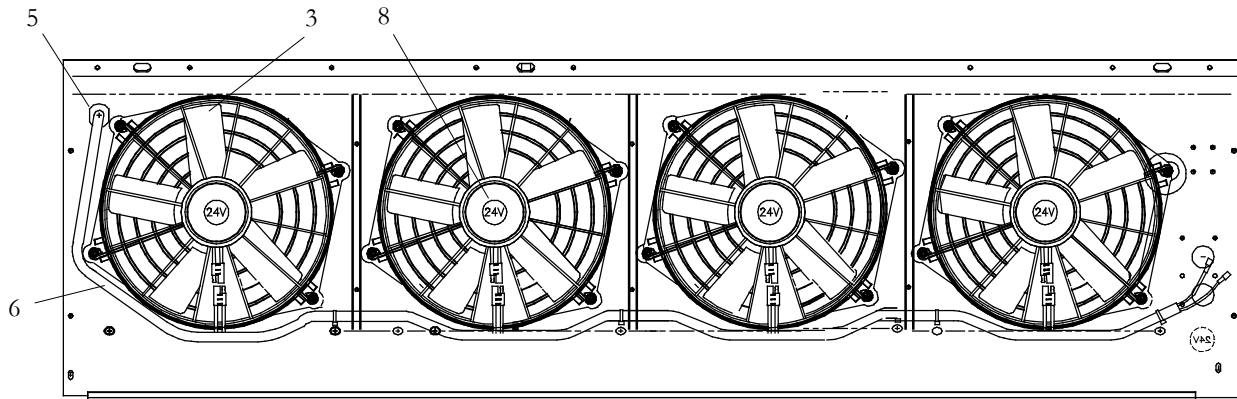


Item	Part Number	Description	Qty
1	40-00097-10	Nut, Flare, 5/8 Short	2
2	40-00501-05	Valve, King	2
3	14-00351-00	. . . Core, Schrader Valve	2
4	40-00501-50	. . . Cap, King Valve, Service Part	2
5	14-00200-00	Filter Drier, 41 Cubic Inch	1
6	AC701-243	Clamp, Conduit, 3 Inch, SST	1
7	40-00491-09	Fitting, 5/8 ODF x 1.00 ORS	2
8	AC601-609	Spacer, 7/8 X 1/2 X 9/16 Inch	2
9	44-00285-82	Clamp, Tube, 5/8 OD	2
10	40-00501-50	Cap, King Valve, Service Part	2
11	AC601-615	Spacer, 7/8 X 1/2 X 15/16 Inch	NSI
12	65-01035-01	Receiver Assembly	1
13	AC101-203	Sightglass, Moisture Indicator, 7/8-14	1
14	14-01032-01	Plug, Fusible, 3/8 MPT	1
15	AC601-618	Spacer, 7/8 X 1/2 X 1-1/8 Inch	2
16	40-00169-33	Tee, Reducing, 5/8 X 5/8 X 1/2 , (C4RE Only)	1
17	40-62032-02	Nut, Swivel Fitting, #8 MIO X 1/2 Tube, (C4RE Only)	1

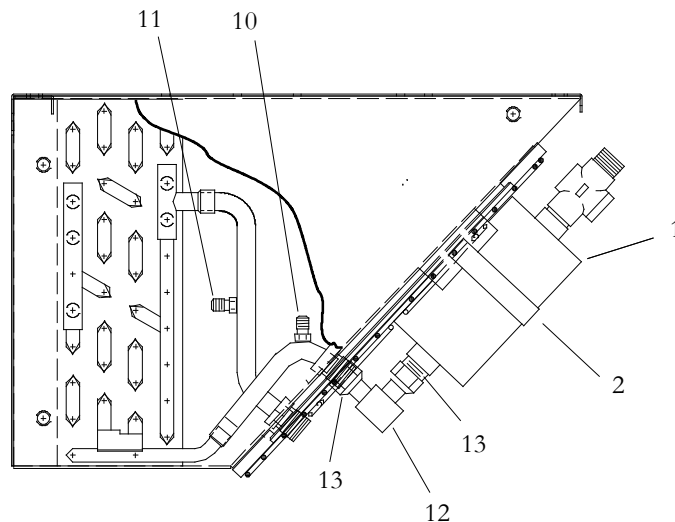
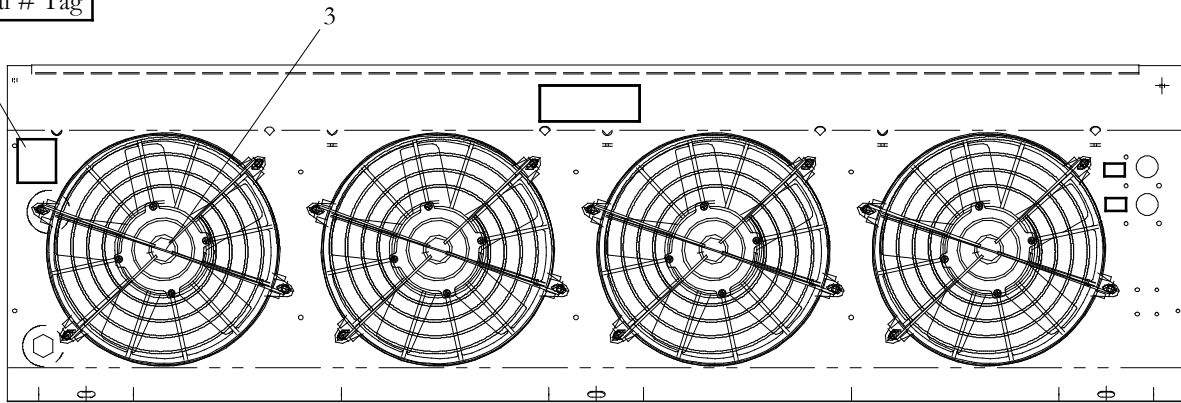


SECTION 2.4 CM-14 CONDENSER SERIES

2.4.1 CONDENSER, CM-14 STANDARD MODEL (77-62083-02, -04, -08, -09, -10 & -11)



Serial # Tag

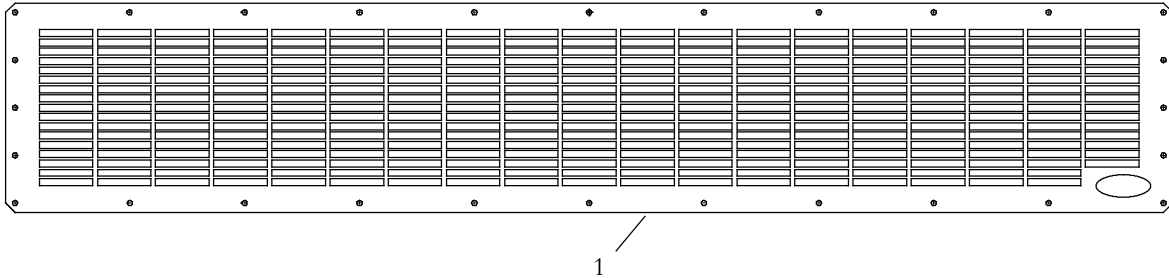




2.4.1 CONDENSER, CM-14 STANDARD MODEL (77-62083-02, -04, -08, -09, -10 & -11) - Continued :			
Item	Part Number	Description	Qty
1	14-00288-00	Filter Drier/Sight Glass Assembly	1
2	AC701-269	Clamp, 2-1/16 Inch to 3 Inch	1
3	54-00618-01	...Fan & Motor Assembly, Vector, 12V W/Fuse, (No Repl. Motor) Includes:	4
3A	22-02336-25Fuse, 20 Amp	1
4	66U1-3882	...Wire Tie, Self-Locking, 7.00 Inches, Black	A/R
5	58-62019-00	...Bushing, Strain Relief	1
6	-	...Harness Assembly, Staged Fans, Standard 12 VDC - Includes:	NSI
6A	22-02392-00Connector, 2 Pin, Black	1
6B	22-02393-01Terminal, Male (18-20 AWG)	2
6C	22-02394-00Seal, Cable, Gray	2
6D	22-50371-00Connector, 2 Pin	1
6E	22-50372-00Terminal, Male (8 AWG)	2
7	AC030-234	...Guard, Fan, Condenser	4
8	54-00545-00	...Fan & Motor Assembly, 24 VDC	4
	54-00618-02	...Fan & Motor Assembly, 11" Vector, 24 VDC w/Fuse	4
4	66U1-3882	...Wire Tie, Self-Locking, 7.00 Inches, Black	A/R
5	58-62019-00	...Bushing, Strain Relief	1
6	22-62275-00	...Harness Assembly, Staged Fans, CM-14, Standard, 24V - Includes:	1
6A	22-02392-00Connector, 2 Pin, Black	1
6B	22-02393-01Terminal, Male (18-20 AWG)	2
6C	22-02394-00Seal, Cable, Gray	2
6D	22-50371-00Connector, 2 Pin	1
6E	22-50372-00Terminal, Male (8 AWG)	2
9	08-62036-00	...Coil Assembly, Condenser (CM-14)	1
10	AC201-414	...Switch, Pressure, High	1
11	AC201-412	...Switch, Pressure, Low	1
12	40-62036-00	Fitting, 90 Degree, 1/2 Inch F.O.R. X 1/2 Inch F.O.R.	1
13	AC801-202	O-Ring, 1/2 Inch, HNBR	4

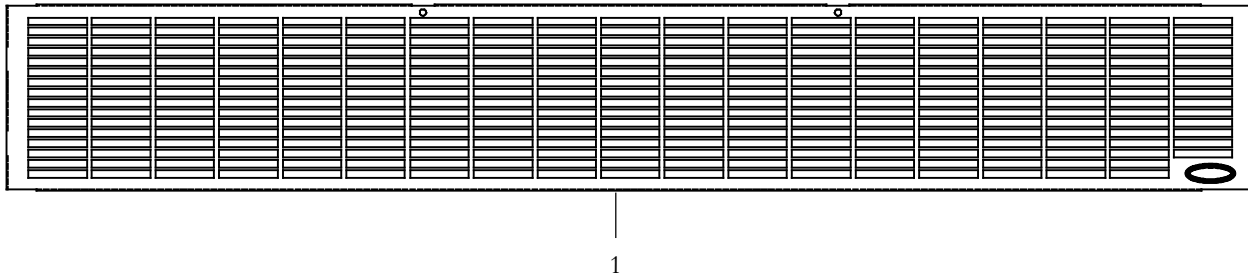


2.4.2 CONDENSER, CM-14, GRILL, STANDARD MODEL, (77-62083-02 & -04)



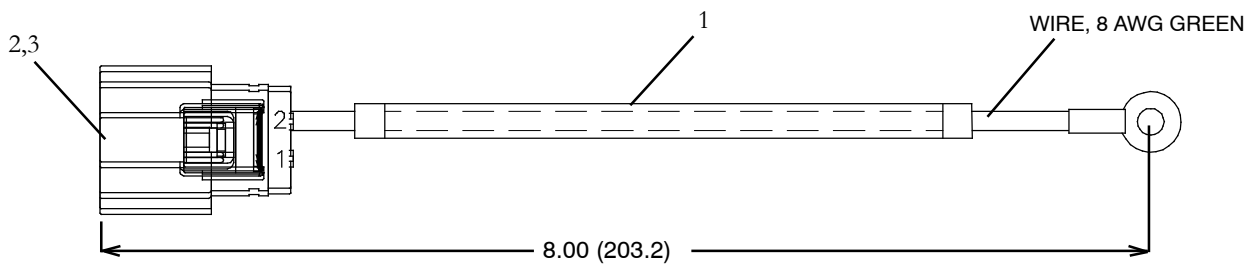
1	68-63265-00	Grill, Skirt Mounted, CM-14	1
---	-------------	-----------------------------	---

2.4.2 CONDENSER, CM-14, GRILL, CHASSIS MOUNTED - (77-62083-08 & -09)



1	68-63566-00	Grill, Condenser, Chassis Mounted, Painted	1
---	-------------	--	---

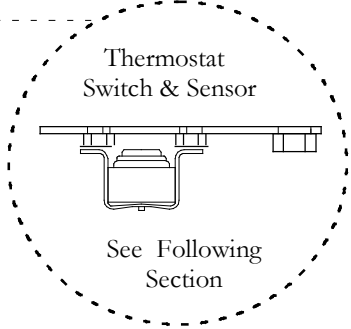
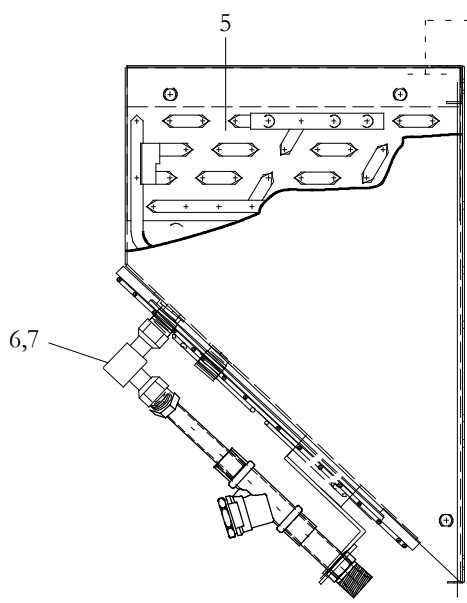
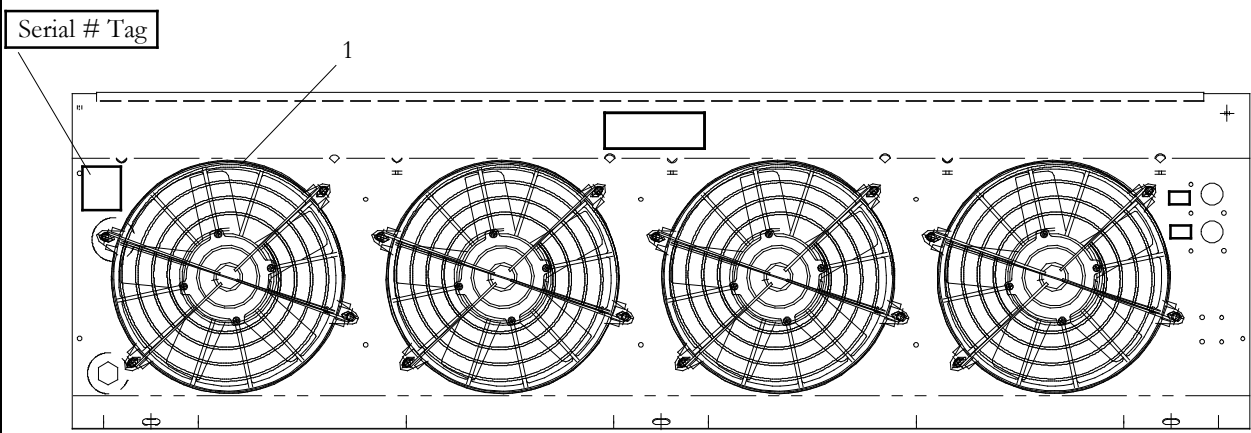
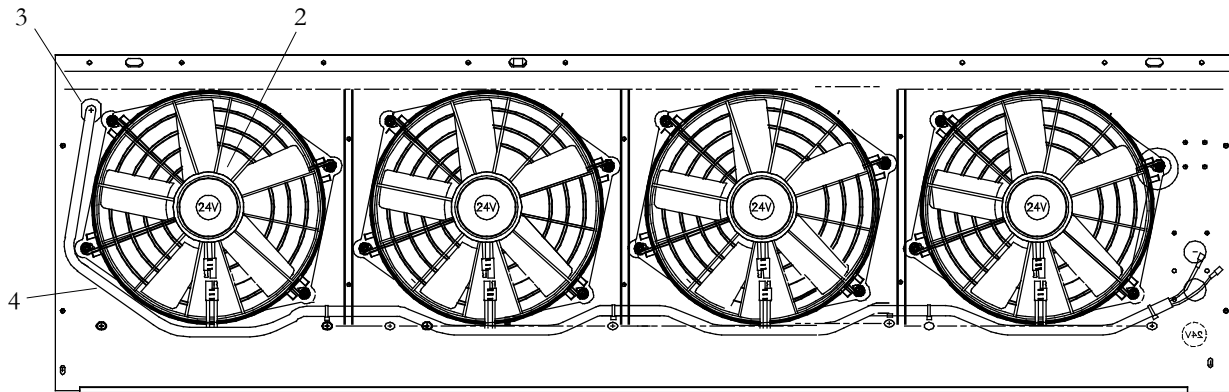
2.4.3 CM-14, CONDENSER GROUND/POWER HARNESS (FOR 77-62083-02, -04, -08, -09)



Item	Part Number	Description	Qty
1	22-62277-00	Harness, Condenser - Includes:	NSI
2	22-50099-28	...Housing, Receptacle, 2 Pin, Black	1
3	22-50099-28A	...Terminal, Female (8 AWG)	1



2.4.4 CONDENSER, CM-14 C4RE MODEL (77-62083-00)

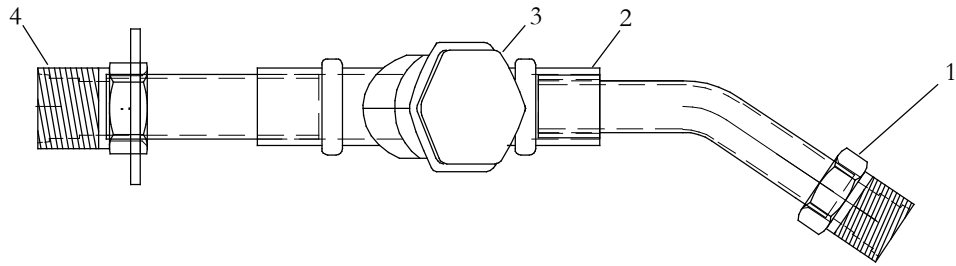




2.4.4 CONDENSER, CM-14 C4RE MODEL (77-62083-00) - Continued :

Item	Part Number	Description	Qty
1	AC030-234Guard, Fan, Condenser	4
2	54-00545-00Fan & Motor Assembly, 24 VDC	4
3	58-62019-00Bushing, Strain Relief	1
4	22-62163-00Harness Assembly, Staged Fans, CM-14, C4RE	1
5	08-62036-00	Assembly, Coil, CM-14	1
6	40-62036-00	Fitting, 90 Degree, 1/2 Inch F.O.R. X 1/2 Inch F.O.R.	1
7	AC801-202	O-Ring, 1/2 Inch, HNBR	2

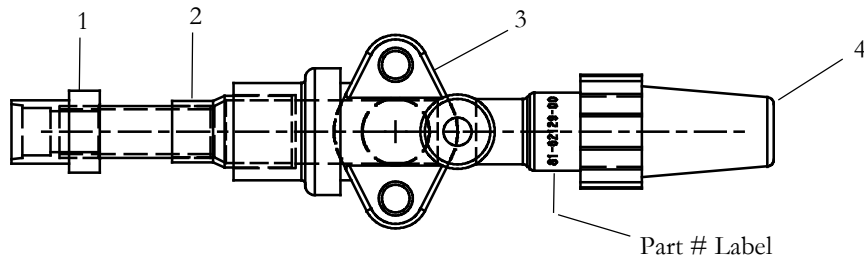
2.4.4 CONDENSER, CM-14 C4RE, CHECK VALVE & TUBE ASSEMBLY



-	81-62122-00	Check Valve & Tube Assembly - Includes:	NSI
1	40-62032-02Nut, Swivel, #8 MIO X 1/2 ODF.	1
2	40-00201-04Bushing, Flush, 5/8 ODM X 1/2 ODF	1
3	14-00029-04Valve, Check, 5/8 ODF	1
4	40-62032-01Nut, Swivel Fitting, #10 MIO X 5/8 ODF	1

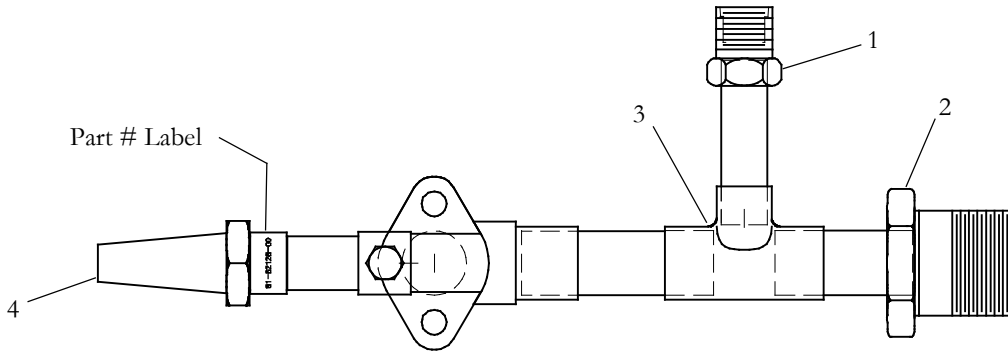


2.4.4 CONDENSER, CM-14 C4RE, DISCHARGE VALVE ASSEMBLY (BB)



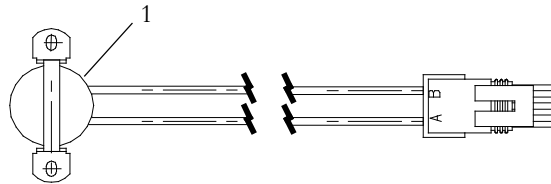
-	81-62129-00	Discharge Valve Assembly - Includes:	NSI
1	40-62032-01Nut, Swivel Fitting, #10 MIO X 5/8 ODF	1
2	40-00490-12Reducer, Copper	1
3	14-01042-08Valve, Compressor Shut-Off, (For 7/8 Tubing)	1
4	17-10812-01Cap, Valve, Plastic	1

2.4.4 CONDENSER, CM-14 C4RE, SUCTION VALVE ASSEMBLY (BB)



-	81-62128-00	Suction Valve Assembly - Includes:	NSI
1	40-62032-01Nut, Swivel Fitting, #10 MIO X 5/8 ODF	1
2	40-00491-18Fitting, ORS, Brass, 1-11/16-12 Thread (For 7/8 Tubing)	1
3	40-00169-13Tee, Reducing, Copper (7/8 X 7/8 X 5/8)	1
4	17-10812-01Cap, Valve, Plastic	1

2.4.4 CONDENSER, CM-14 C4RE LOW AMBIENT THERMOSTAT SWITCH



1	10-00317-01	Switch, Thermostat, Low Ambient (C4RE Only)	1
---	-------------	---	---

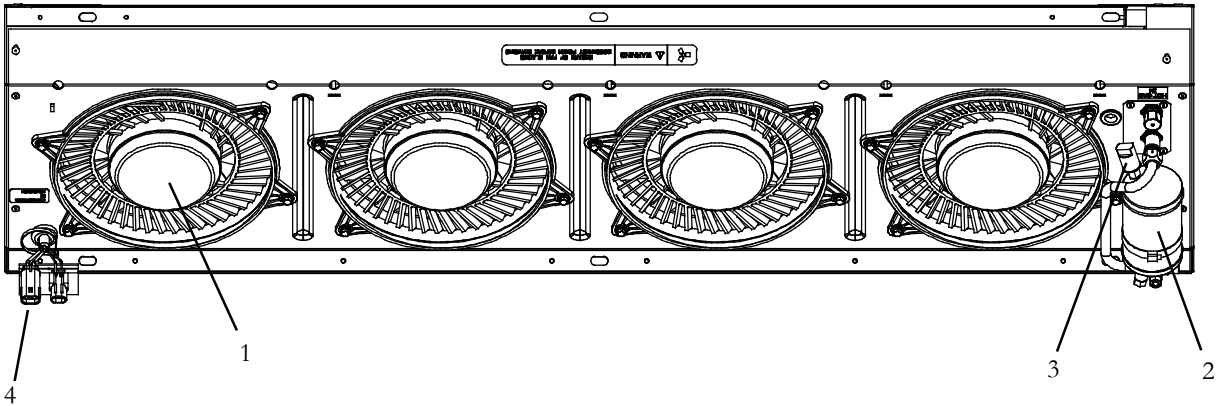
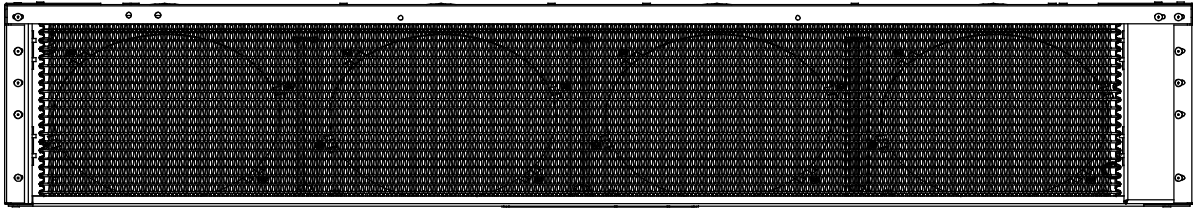


OPTION TABLE CM-14 MCHX Y19-CM141 UNITS

MODEL CM2 MCHX (Top Level) Y19-CM141-XX	Chassis Kit (See Section 2.4.5)	Elec. Harness (See Section 2.4.6)	Grill Options (See Section 2.4.7)
-00	1	1	N/A
-11	1	1	2
-20	1	1	1
-40	1	1	3



2.4.5 CONDENSER, CM-14 MCHX, CHASSIS KIT (ALL)



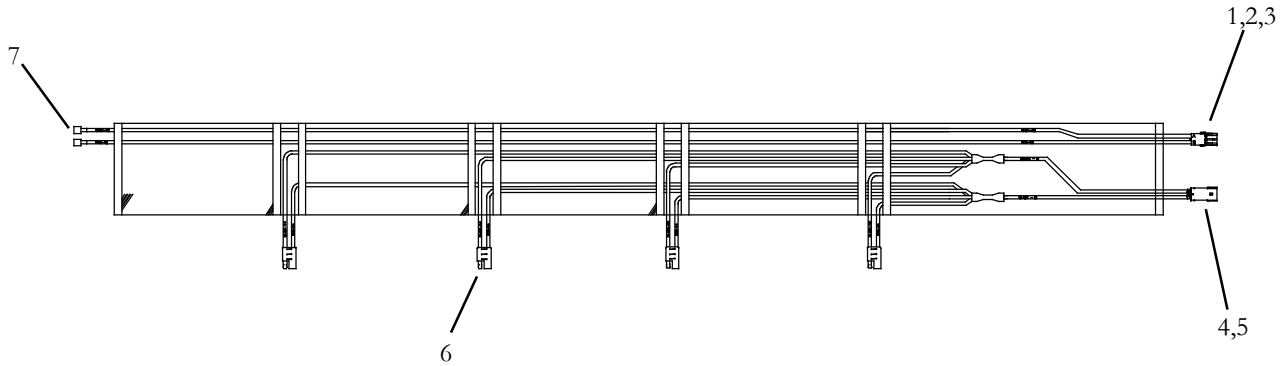
REF: Y24-CM141-00 & -01

Item	Part Number	Description	Qty
1	54-00618-01	Fan & Motor Assembly, 11" Vector w/Fuse, 12VDC	4
2	65-00193-00	Receiver, w/Filter Drier	1
3	201-414	Pressure switch, 400-300 psig	1
4	NSI	Harness, Electrical (See Section 2.1.12)	1



NOTE: Complete Wire Harnesses are Non-Stock Items. Replacement Components are Listed and can be cross referenced to supplier part number in manual T-375PL.

2.4.6 CONDENSER, CM-14 MCHX, HARNESS , ELECTRICAL (ALL)

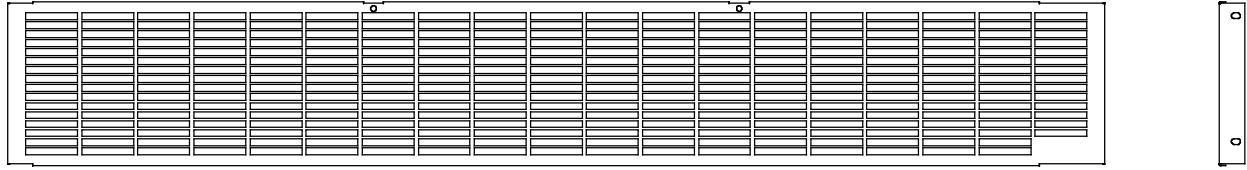


REF: Y25-00129

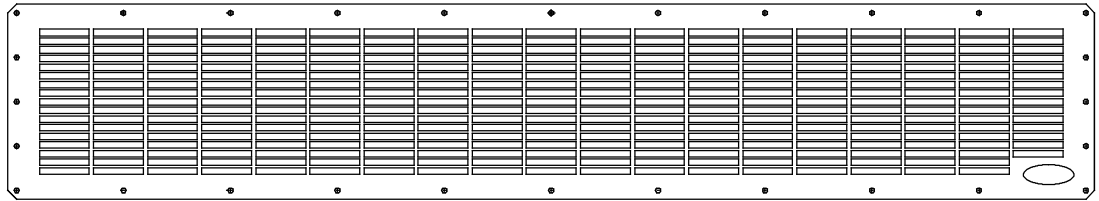
Item	Part Number	Description	Qty
-	NSI	Harness, Condenser- Includes:	
1	22-02392-00Connector, 2 Pin, Black	1
2	22-02393-01Terminal, Male, (18-20 AWG)	2
3	22-02394-00Seal, Cable, Gray	2
4	22-50099-27	...Housing, Plug, 2 Pin	1
5	22-50099-27A	...Terminal, Male (8 AWG)	2
6	AC201-905	...Condenser Motor Harness	4
7	22-01502-00	...Terminal, Male, Insulated Push On (18 AWG)	2



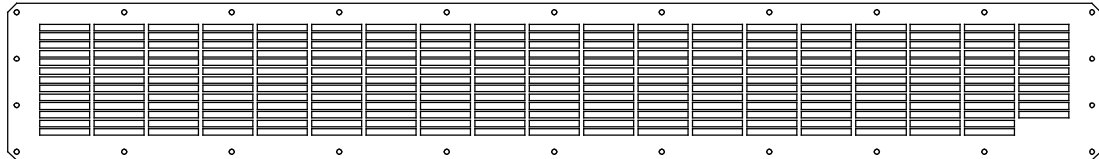
2.4.7 CONDENSER, CM-14 MCHX , GRILLE, OPTIONS 1,2 & 3



1



2

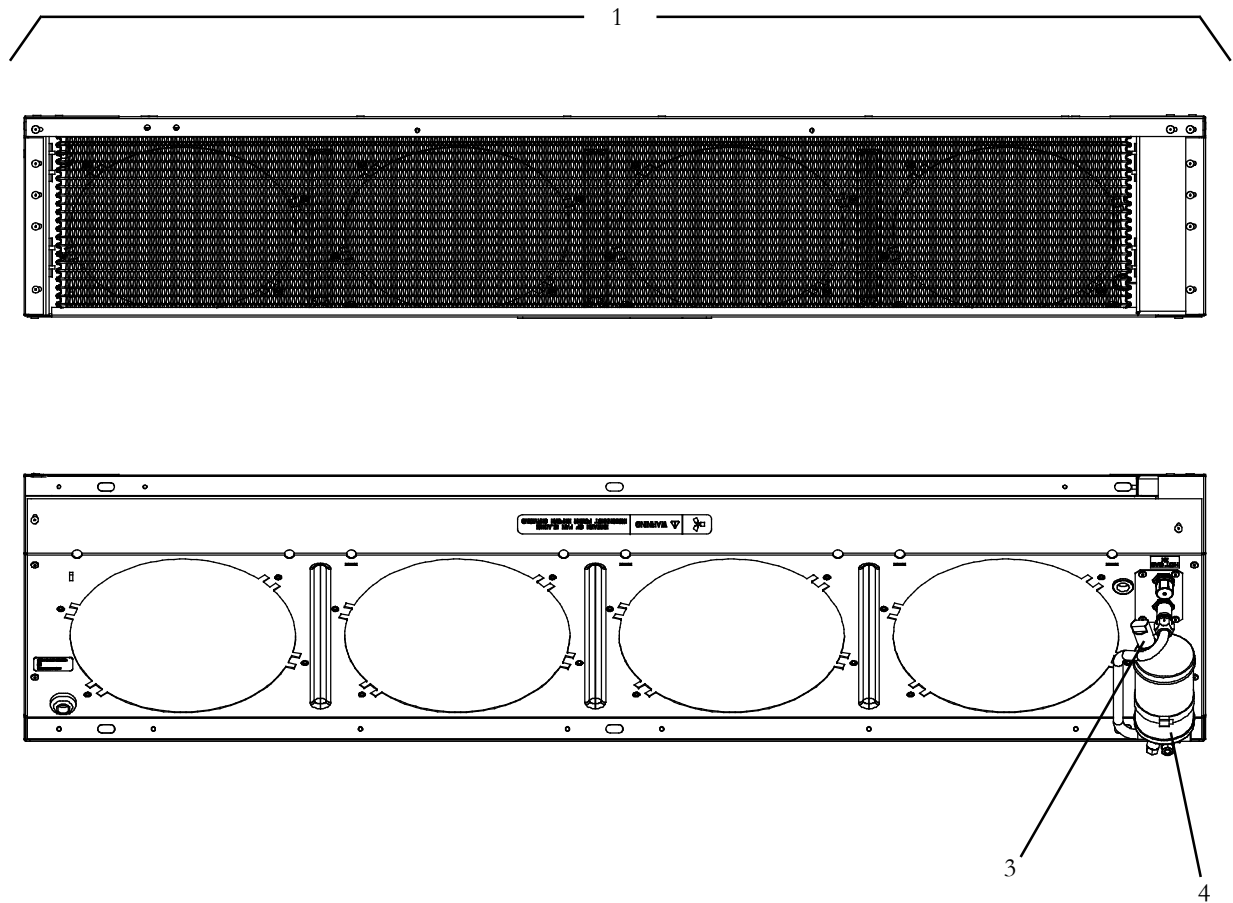


3

Item	Part Number	Description	Qty
1	Y24-00642-00	Grille Assembly, BLK TXT MTD (Grille mounted): OPTION 1	1
2	68-63265-00	Grille, (Skirt Mounted) BLK Smooth: OPTION 2	1
3	Y24-00653-00	Grille Assembly, BLK TXT Short (Skirt mounted): OPTION 3	1



2.4.8 CONDENSER, CM-14 MCHX , SERVICE REPLACEMENT CHASSIS



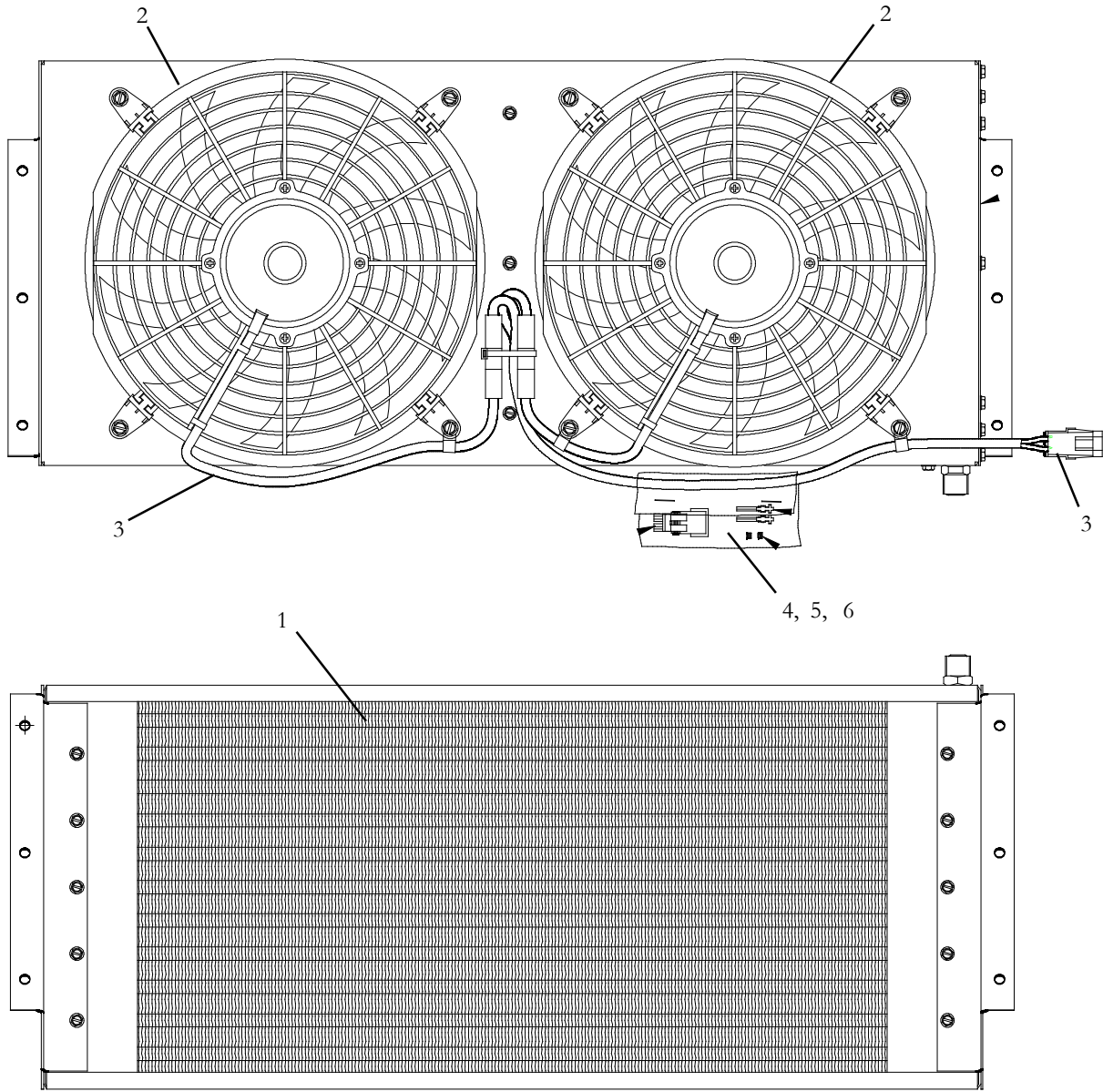
REF: Y24-CM141-50

Item	Part Number	Description	Qty
1	Y74-CM141-50	Replacement Chassis Kit: Includes:	1
2	NSS	. . . Coil, Condenser, MCHX	1
3	201-414	. . . Switch, Pressure	1
4	65-00193-00	. . . Receiver/Filter Drier	1



SECTION 2.5 CM-15 CONDENSER SERIES

2.5.1 CONDENSER, CM-15 (77-62175-00)

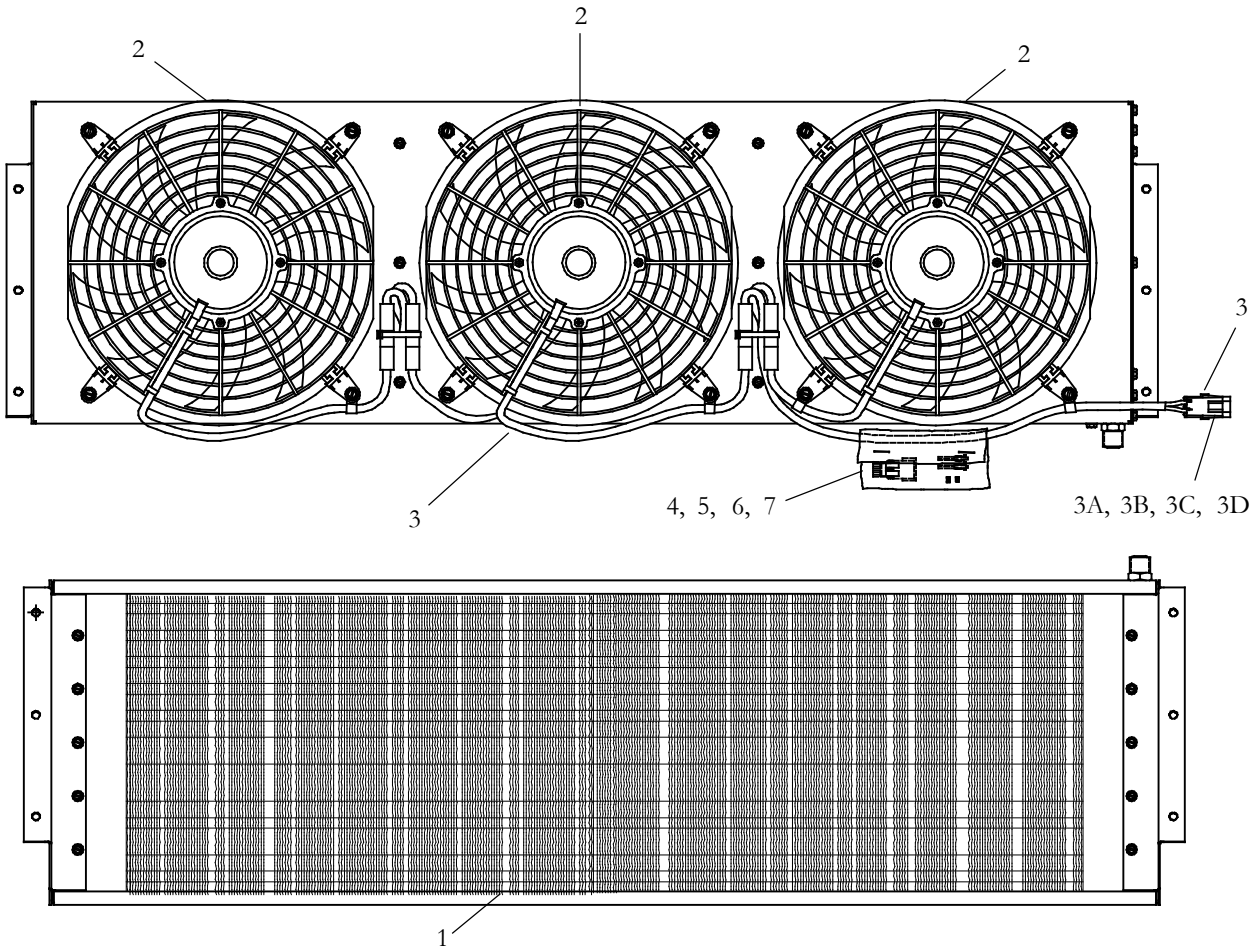


Item	Part Number	Description	Qty
1	08-50018-00	Coil Assembly, Two Fan Condenser	1
2	54-50108-00	Fan & Motor Assembly, Condenser, 12 VDC	2
3	22-50343-00	Harness, Two Fan Condenser	NSI
4	22-01585-00SK	Connector, Male, 2 Pin, Black	1
5	22-50078-58H	Terminal, Female (12 AWG)	2
6	22-02394-01	Seal, Cable, Blue	2



SECTION 2.6 CM-16 CONDENSER SERIES

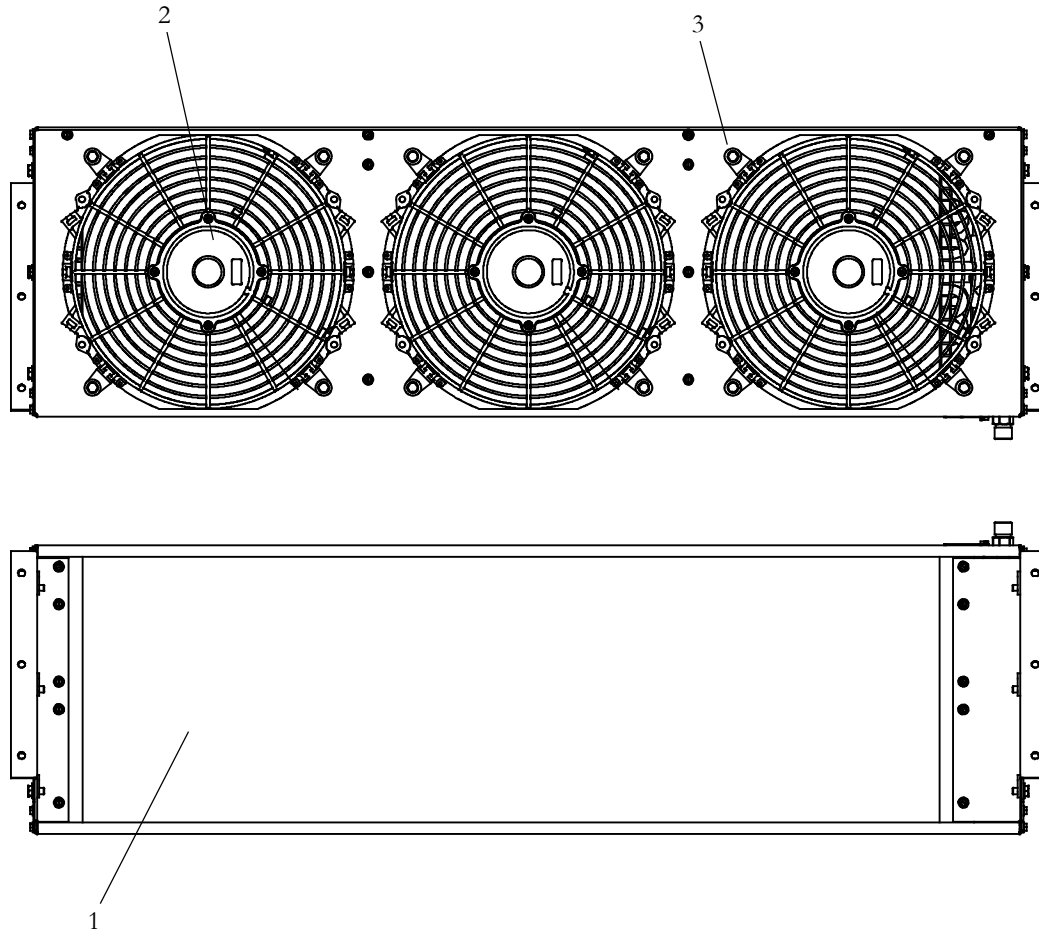
2.6.1 CONDENSER, CM-16 (77-62201-00)



Item	Part Number	Description	Qty
1	N/A	Coil Assembly, Three Fan Condenser	1
2	54-50108-00	Fan & Motor Assembly, Condenser, 12 VDC	3
3	22-50358-00	Harness, Three Fan Condenser - Includes:	NSI
3A	22-50078-01	...Connector, Male, 2 Pin, Black	1
3B	22-50078-47B	...Terminal, Male (12-14 AWG)	2
3C	22-02394-00	...Seal, Cable, Gray	2
3D	22-50078-01A	...Lock, Secondary	1
4	22-50078-02	Connector, Female, 2 Pin, Black	1
5	22-50078-47E	Terminal, Female (12-14 AWG)	2
6	22-02394-00	Seal, Cable, Gray	2
7	22-50078-01A	Lock, Secondary	1



2.6.2 CONDENSER, CM-16 (14-5101)

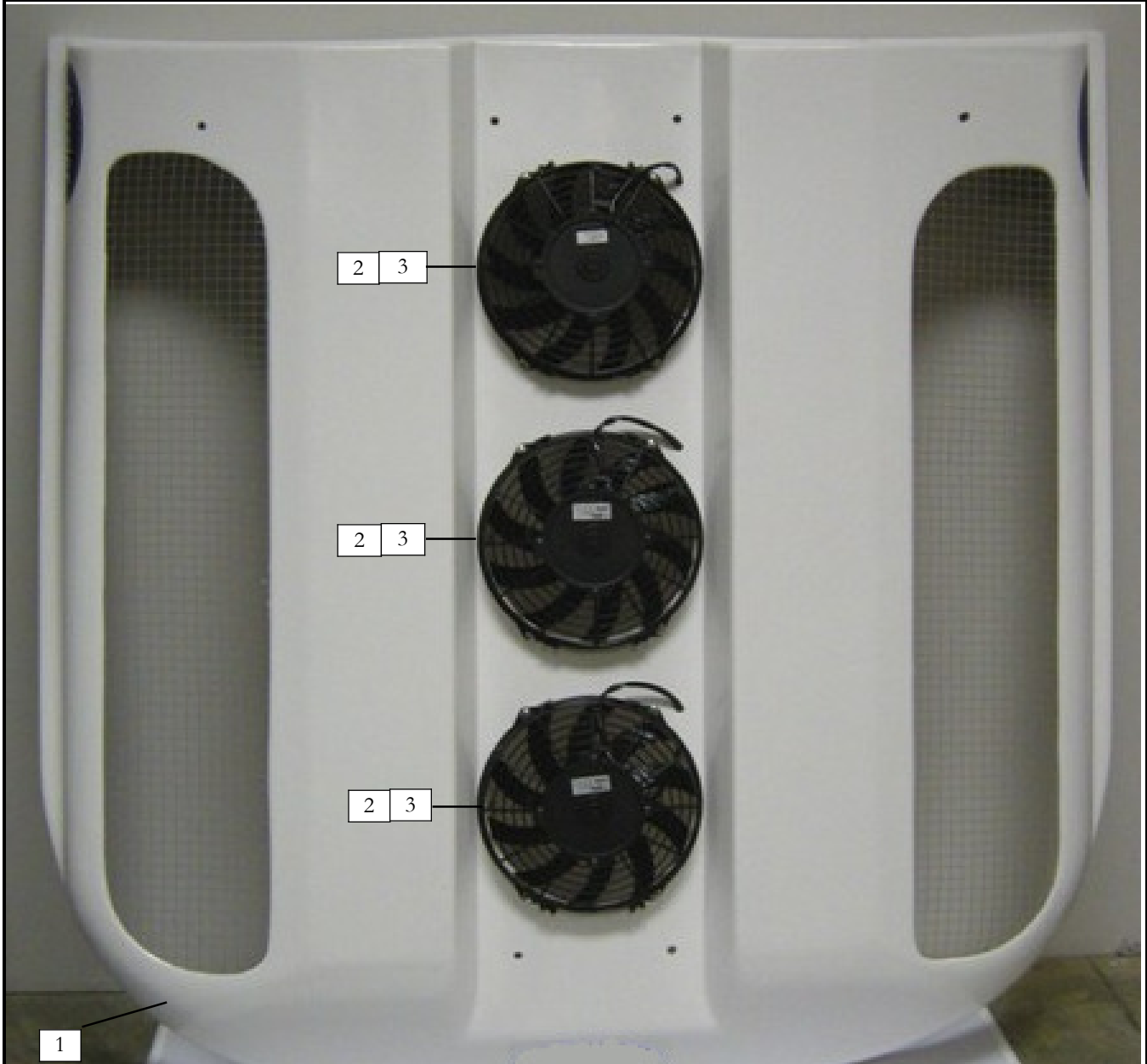


Item	Part Number	Description	Qty
1	21-1954	Coil Assembly, Three Fan Condenser	1
2	15-8731	Fan & Motor Assembly, Condenser, 12 VDC	3
3	25-0977	Fan Mount	12
N/S	25-3290	Wire Harness	NSI



SECTION 2.7 K410 CONDENSER SERIES

2.7.1 CONDENSER, K410, 3 MOTOR, 12V (SPAIN) 02-94-10-101-00



Item	Part Number	Description	Qty
1	SES132236	Cover, Condenser, K410	1
2	N/A	Fan & Motor Assembly, Condenser, 12 VDC	-
3	N/A	Spade, Terminal, Male	-



2.7.1 CONDENSER, K410, 3 MOTOR, 12V (SPAIN) - Continued:



Item	Part Number	Description	Qty
4	N/A	Coil Assembly, Condenser, K410, Complete	-
5	N/A	Receiver Tank/Tube Assembly	-
6	N/A	Valve, Safety, 3/8	-
7	22-62303-00	Harness Assembly, Electrical	NSI
8	N/A	Switch, High Pressure	-
9	N/A	Clamp, Hose, 50/70S	-

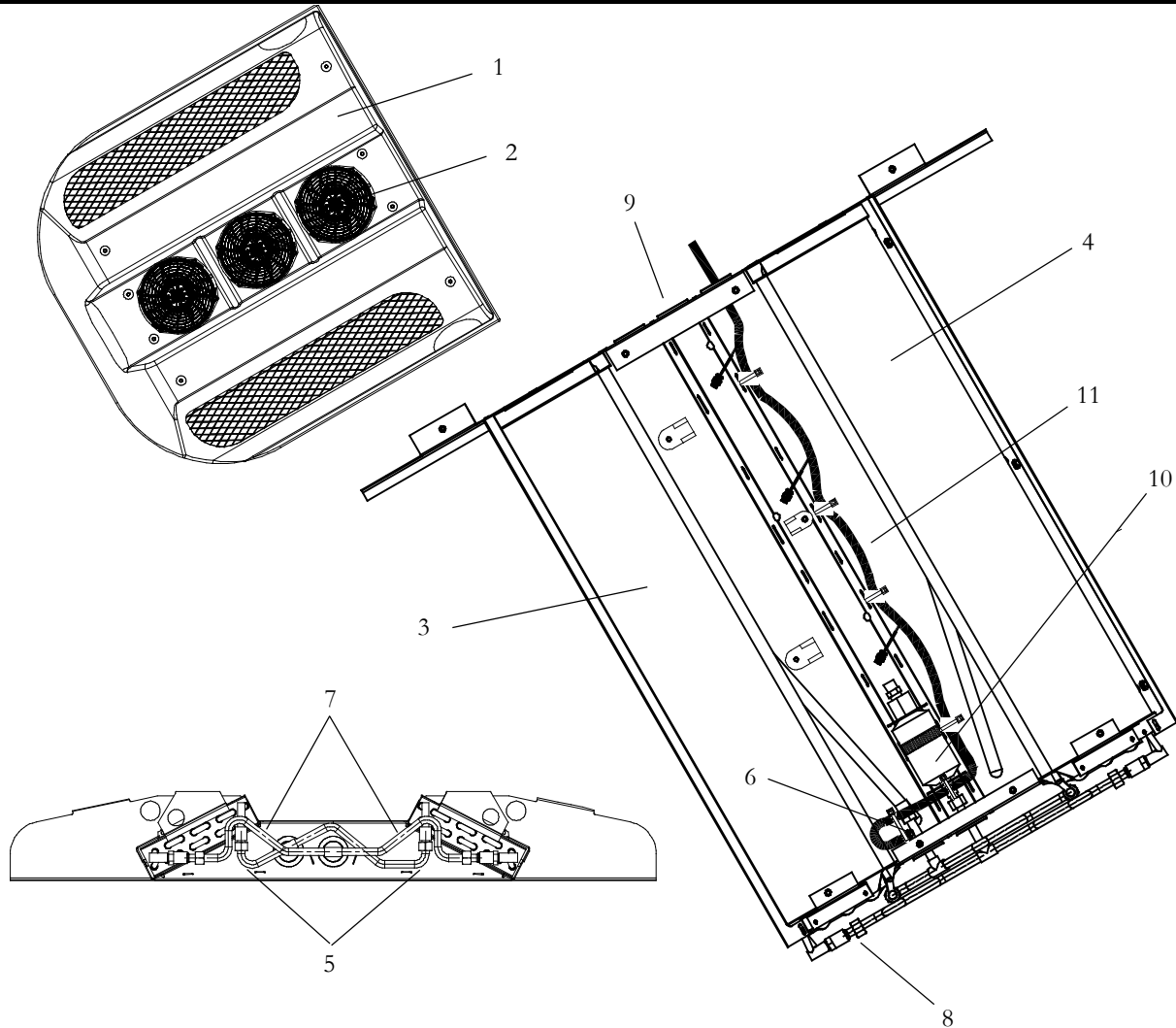


2.7.1 CONDENSER, K410, 3 MOTOR, 12V (SPAIN) - Continued:





2.7.2 CONDENSER, K410, 3 MOTOR, 12V (NORTH AMERICAN VERSION)

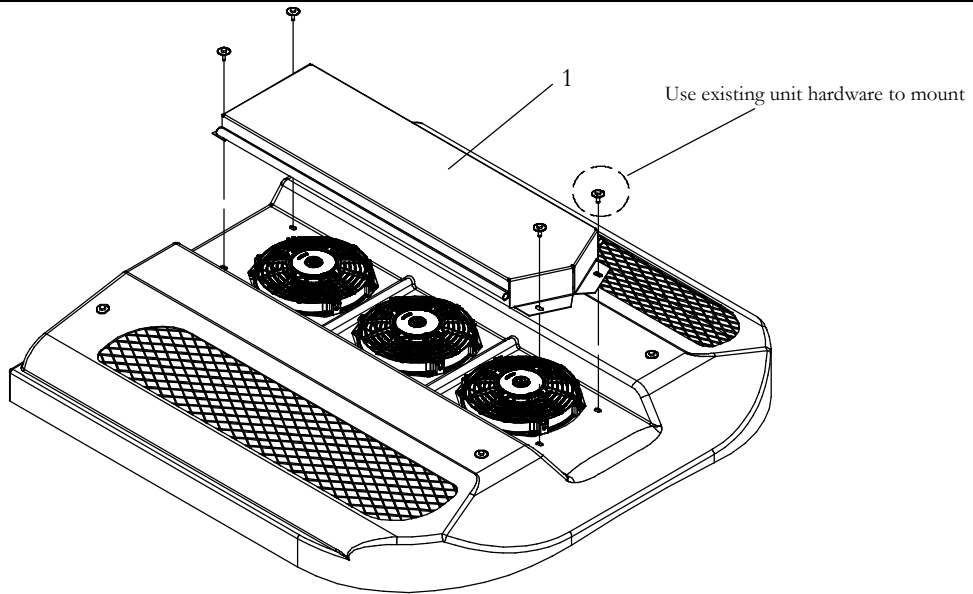


REF. UNIT #'s 77-62251-00, -01, -21, -22, -23, -24, -25, -26, -27

Item	Part Number	Description	Qty
1	79-62136-00	Cover Assembly, NA 7071MM (Used w/ units 77-62251-00,-21,-23,-24, -25)	1
	79-62136-01	Cover Assembly, NA 3000MM (Used w/ units 77-62251-01, -22, -26, -27)	
2	54-00643-00	Condenser Fan Assembly	3
3	08-62081-00	Condenser Coil Assembly, Curbside	1
4	08-62081-01	Condenser Coil Assembly, Roadside	1
5	81-62169-00	Tube Assembly, Hot Gas In	1
6	AC201-414	Pressure switch, High (400-300 psig)	1
7	81-62170-00	Tube Assembly, Liquid Out	1
8	AC801-202	O-Ring, (1/2" HN BR)	5
9	58-62223-00	Grommet	5
10	14-00288-00	Filter Drier, (16 cu.in. w/Sightglass)	1
11	22-62312-00	Wire Harness, Butt Splice Interface	NSI
	22-62312-01	Wire Harness, Connector Interface	



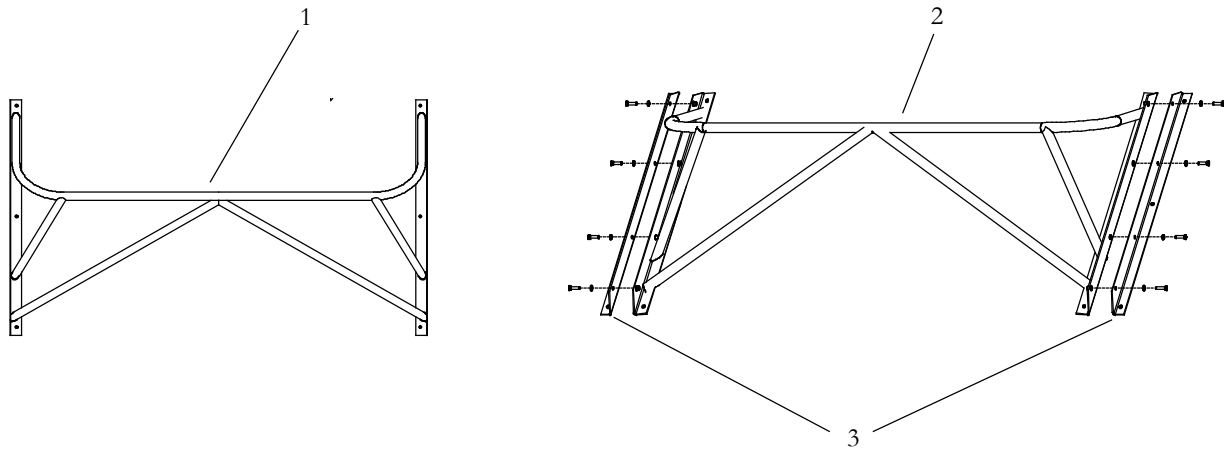
2.7.3 CONDENSER, K410 WINTERGUARD KIT (NORTH AMERICAN VERSION)



FOR UNIT #'s 77-62251-XX (ALL N.A. VERSIONS)

Item	Part Number	Description	Qty
1	76-62362-00	Winterguard Kit	1

2.7.4 CONDENSER, K410 BRUSH GUARD KIT (NORTH AMERICAN VERSION) KIT #



Item	Part Number	Description	Qty
1	86-62565-00	Weld Assembly, Branch Guard (6° Angle Integrated Mounting Foot)	1
2	86-62565-01	Weld Assembly, Branch Guard (6° Angle & Universal Mounting Foot)	1
3	Y24-00185-00	Universal Mounting Bracket, Branch Guard	2



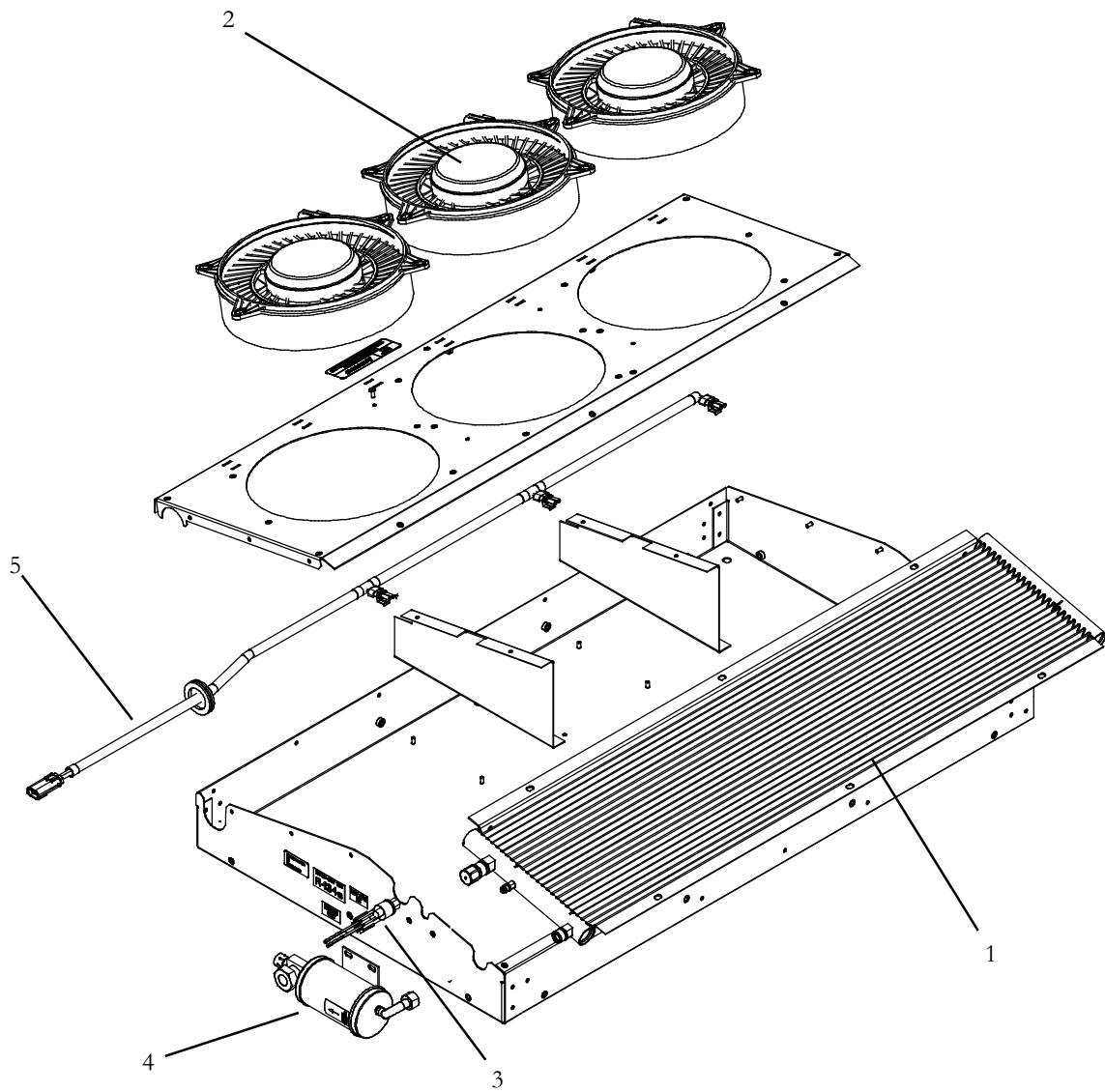
SECTION 2.8 CR410 CONDENSER SERIES

OPTION TABLE CR410 MCHX Y19-41001 UNITS

MODEL CR410 MCHX (Top Level) Y19-41001-XX	Chassis Kit (See Section 2.8.1)	Cover Assembly (See Section 2.8.2)	Elec. Harness (See Section 2.8.3)	
-00	1	1	1	
-01	1	3	1	
-02	1	2	1	
-03	1	4	1	
-04	1	3	1	
-05	1	1	1	
-20	1	3	1	
-30	1	1	1	
-40	1	4	1	
-50	1	4	1	
-60	1	3	1	



2.8.1 CHASSIS KIT , CR410 : OPTION (ALL)

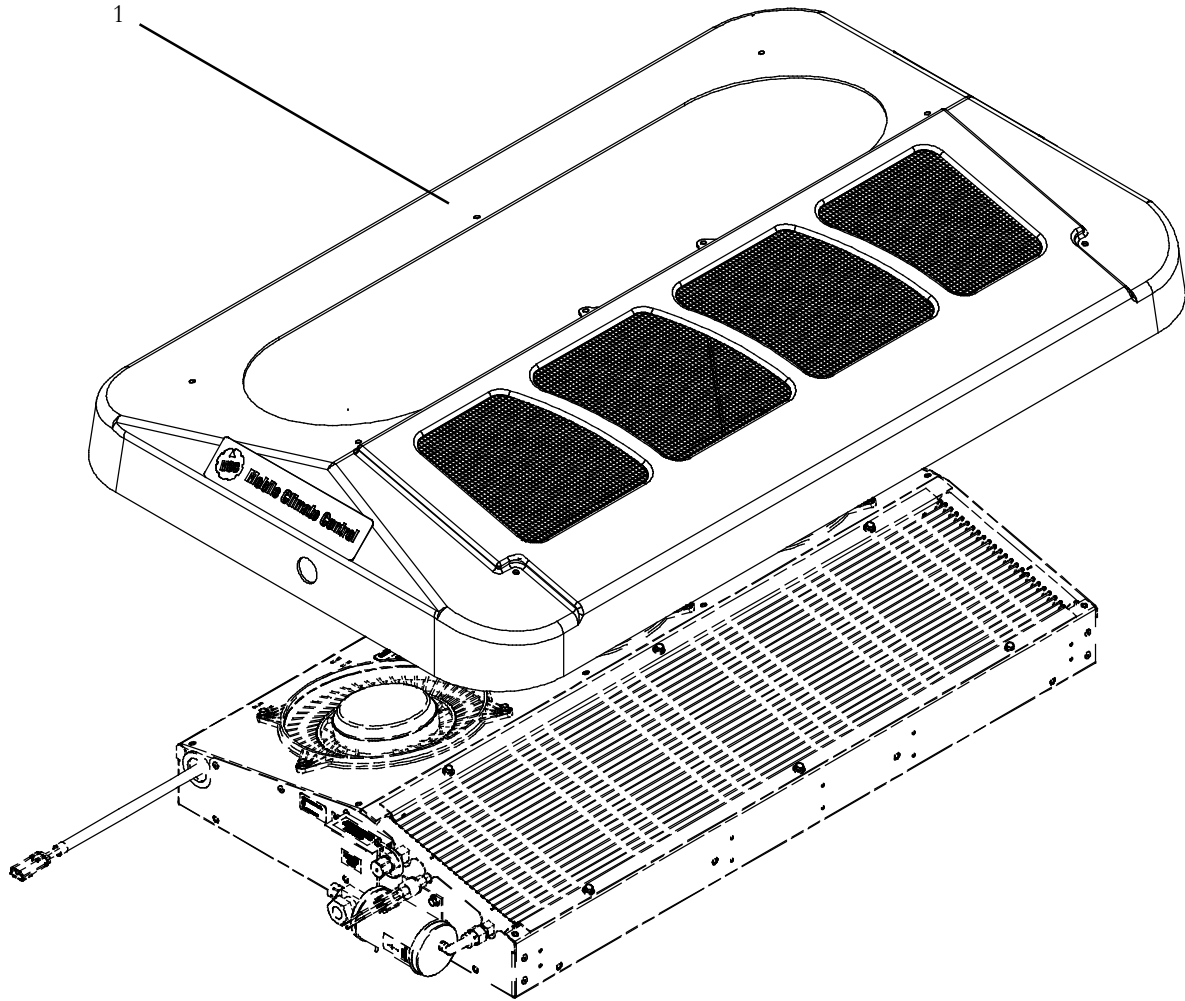


REF: Y74-41002

Item	Part Number	Description	Qty
1	T41-0018-00	Condenser Coil	1
2	54-00618-03	Fan & Motor Assembly, 11" Vector , 12VDC	3
	54-00618-04	Fan & Motor Assembly, 11" Vector , 24VDC	3
3	12-00299-23	Pressure Switch, Open 390-410 psig/Close 290-310 psig	1
4	Y26-00084-00	Filter/Drier receiver (Not used on -02 and -03 Chassis)	1
5	NSI	Wire Harness, Condenser 3-11" Fans (See Section 2.8.3)	



2.8.2 COVERS, CR410 : OPTIONS 1 thru 4



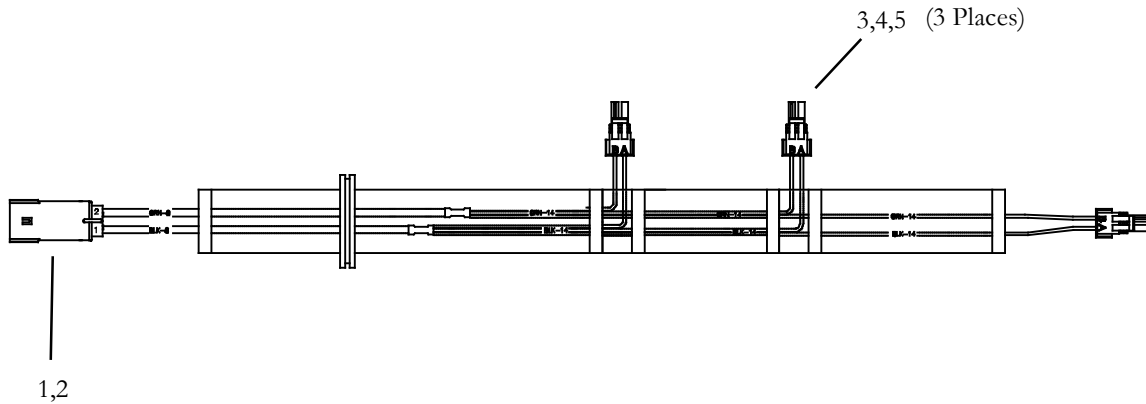
REF: Y28-00064

Item	Part Number	Description	Qty
1	Y28-00064-00	Cover Assembly, Flat Roof, Option 1	1
	Y28-00064-01	Cover Assembly, Narrow, R307 (8M), Option 2	1
	Y28-00064-02	Cover Assembly, Narrow, R134 (3.4M), Option 3	1
	Y28-00064-03	Cover Assembly, Wide, R388 (9.8M), Option 4	1



NOTE: Complete Wire Harnesses are Non-Stock Items. Replacement Components are Listed and can be cross referenced to supplier part number in manual T-375PL.

2.8.3 WIRE HARNESS, CONDENSER 3 - 11" FANS : OPTION (ALL)



Item	Part Number	Description	Qty
1	22-50099-27	Connector, Male, Molex MX150L, 2 Way Sealed	1
2	22-50099-27A	Terminal, Male 8 AWG	2
3	22-01585-00	Connector, WP Tower, 2 Position	3
4	22-01566-00	Terminals, Female 14/16 AWG	6
5	22-02394-00	Cable Seals	6

REF: Y25-00116



SECTION 2.9 CONDENSER, CR430 Condensers

INTRODUCTION

The Mobile Climate Control model CR430 series condensers are of lightweight frame construction, designed to be installed on the vehicle roof.

CONFIGURATION IDENTIFICATION

Unit identification information is provided on a plate located inside the condenser. The plate provides the unit model number, the unit serial number. The model number identifies the overall unit configuration listed in the options table to identify the replacement parts.

This section provides a description of and a tabular listing of unit model numbers to assist the reader in identifying the equipment supplied and any required service parts.

OPTION DESCRIPTION

Various options may be factory or field equipped to the base unit. These options are listed in the tables and described in the following subparagraphs.

Skins Kit

The top cover is designed to allow for different mounting arrangements on high roof radius or low roof radius configurations.

Refrigeration Kit

The unit may be fitted with a single or dual loop refrigeration system

Electrical Kit

The unit may be fitted with 12 or 24 volt fan motors.

Frame Kit

The condenser may be fitted with one of two different base assemblies. The assemblies differ dependent on single or dual loop refrigerant system configuration.

OPTION LEGEND CR430

Skins Kit CR430, 4001 & 4002 Series	
1	Top Cover - Radius 4.6M
2	Top Cover - Radius 7.8M
3	Top Cover - Radius 2.7M
Chassis (Coil) Kit CR430, 4001 & 4002 Series	
1	Dual Loop
2	Single Loop
Refrigeration Piping Kit CR430, 4001 & 4002 Series	
1	Dual Loop
2	Single Loop
3	Dual Loop (Less Filter Driers)
Fan & Motor Kit CR430, 4001 & 4002 Series	
1	3 Fan 12 VDC W/PM Motors
2	2 Fan 12 VDC W/PM Motors
3	3 Fan 24 VDC W/PM Motors
Electrical Kit CR430, 4001 & 4002 Series	
1	Single Loop 3 Fan, W/P
2	Dual Loop 3 Fan, W/P
3	Dual Loop 2 Fan, W/P
4	Single Loop, 3 Fan, 24 vdc,W/P, Circuit Protect
5	Single Loop, 2 Fan, 12 vdc,Molex, Circuit Protect
6	Single Loop, 3 Fan, 12 vdc,Molex, Circuit Protect
7	Dual Loop, 2 Fan, 12 vdc,Molex, Circuit Protect
8	Dual Loop, 3 Fan, 12 vdc,Molex, Circuit Protect
9	Dual Loop, 2 Fan, 24 vdc,Molex, Circuit Protect
10	Dual Loop, 3 Fan, 24 vdc,Molex, Circuit Protect



OPTION TABLE CR430 - Single Circuit

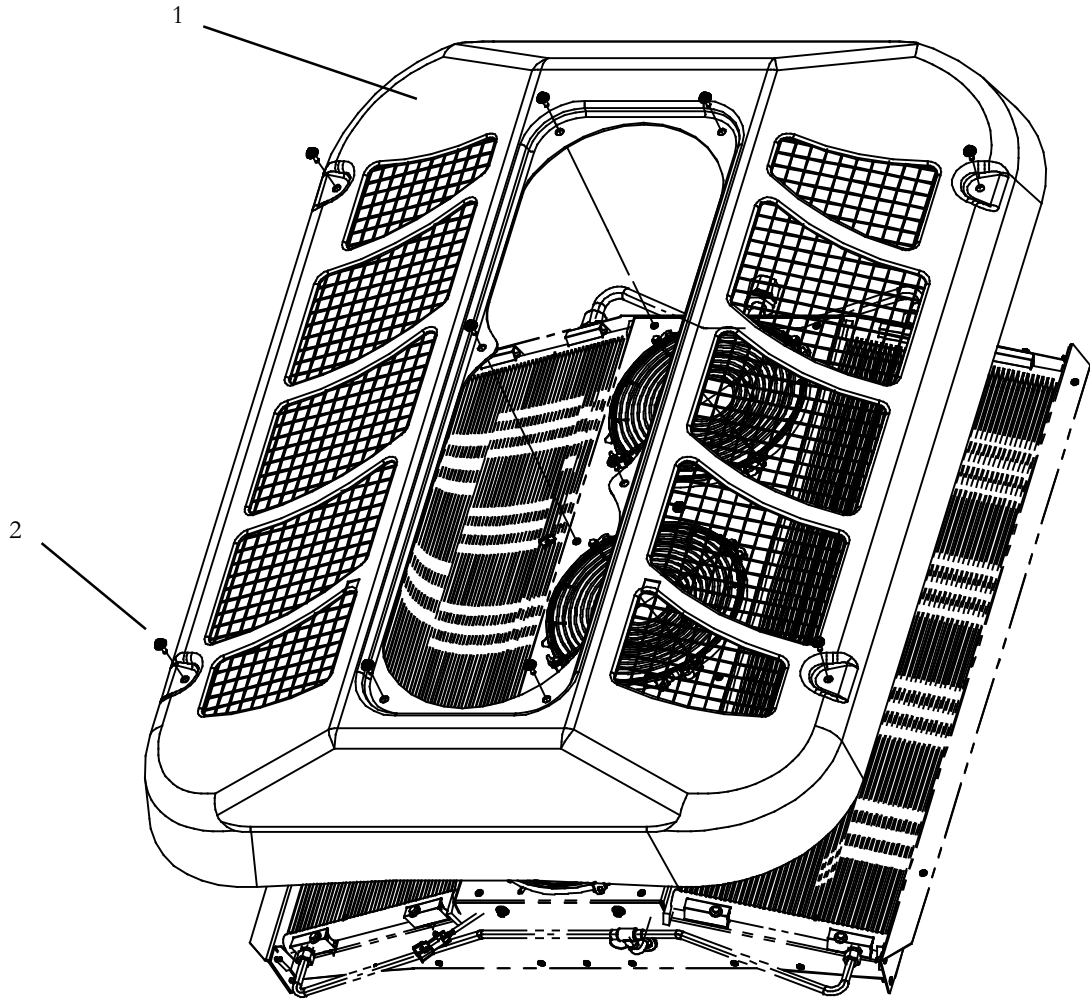
MODEL CR430 Y74 -43001-	Cover Kit (See Section 2.9.1)	Chassis Kit (See Section 2.9.2)	Piping Kit (See Section 2.9.3)	Fan & Motor Kit (See Section 2.9.4)	Electrical Kit (See Section 2.9.5)
-00	1	2	2	3	1
-01	2	2	2	3	1
-02	1	2	2	1	6
-03	2	2	2	1	6
-04	3	2	2	3	1
-05	1	2	2	1	1

OPTION TABLE CR430 - Dual Circuit

MODEL CR430 Y74 -43002-	Cover Kit (See Section 2.9.1)	Chassis Kit (See Section 2.9.2)	Piping Kit (See Section 2.9.3)	Fan & Motor Kit (See Section 2.9.4)	Electrical Kit (See Section 2.9.5)
-00	1	1	1	2	7
-01	2	1	1	1	7
-02	1	1	1	2	8
-03	2	1	1	1	8
-04	1	1	3	2	7
-05	2	1	3	2	7
-06	1	1	3	1	8
-07	2	1	3	1	8
-08	3	1	1	2	7
-09	3	1	1	1	8
-10	1	1	1	1	8
-11	1	1	1	1	8
-12	1	1	1	2	7
-13	1	1	1	2	7
-14	1	1	1	4	7
-15	2	1	1	4	7
-16	1	1	1	3	8
-17	2	1	1	3	8



2.9.1 CONDENSER SKINS (COVERS), CR430- OPTIONS 1 & 2 & 3

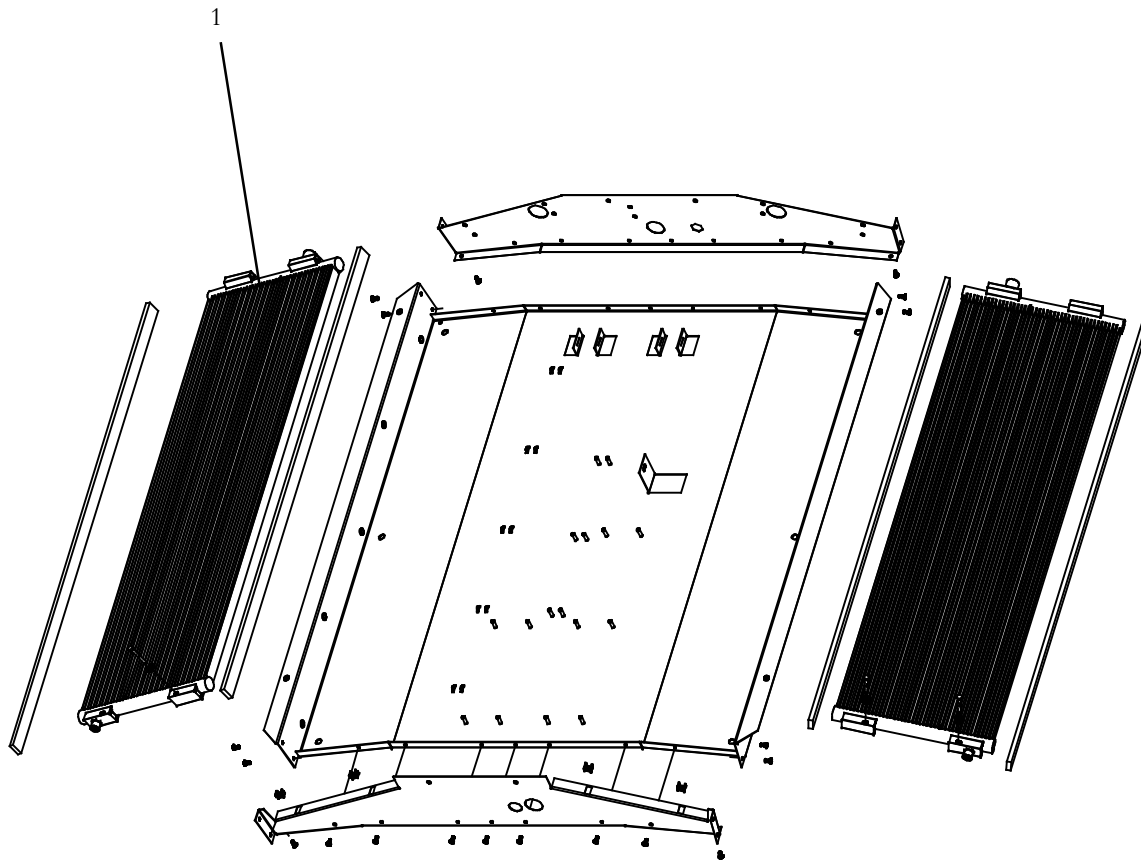


REF: Y19-43001-00 , -01 & -03

Item	Part Number	Description	Qty
1	Y28-00037-00	Cover, CR430 Radius, 4.6M- Option 1	1
	Y28-00037-01	Cover, CR430 Radius, 4.6M- Option 2	1
	Y28-00037-02	Cover, CR430 Radius, 2.7M- Option 3	1
2	-	Screw, Hex HD SEMS, (Metric) M6 - 1.0 x 20 MM (ALL)	NSI



2.9.2 CHASSIS Kit (Coils), CR430- OPTIONS 1 & 2

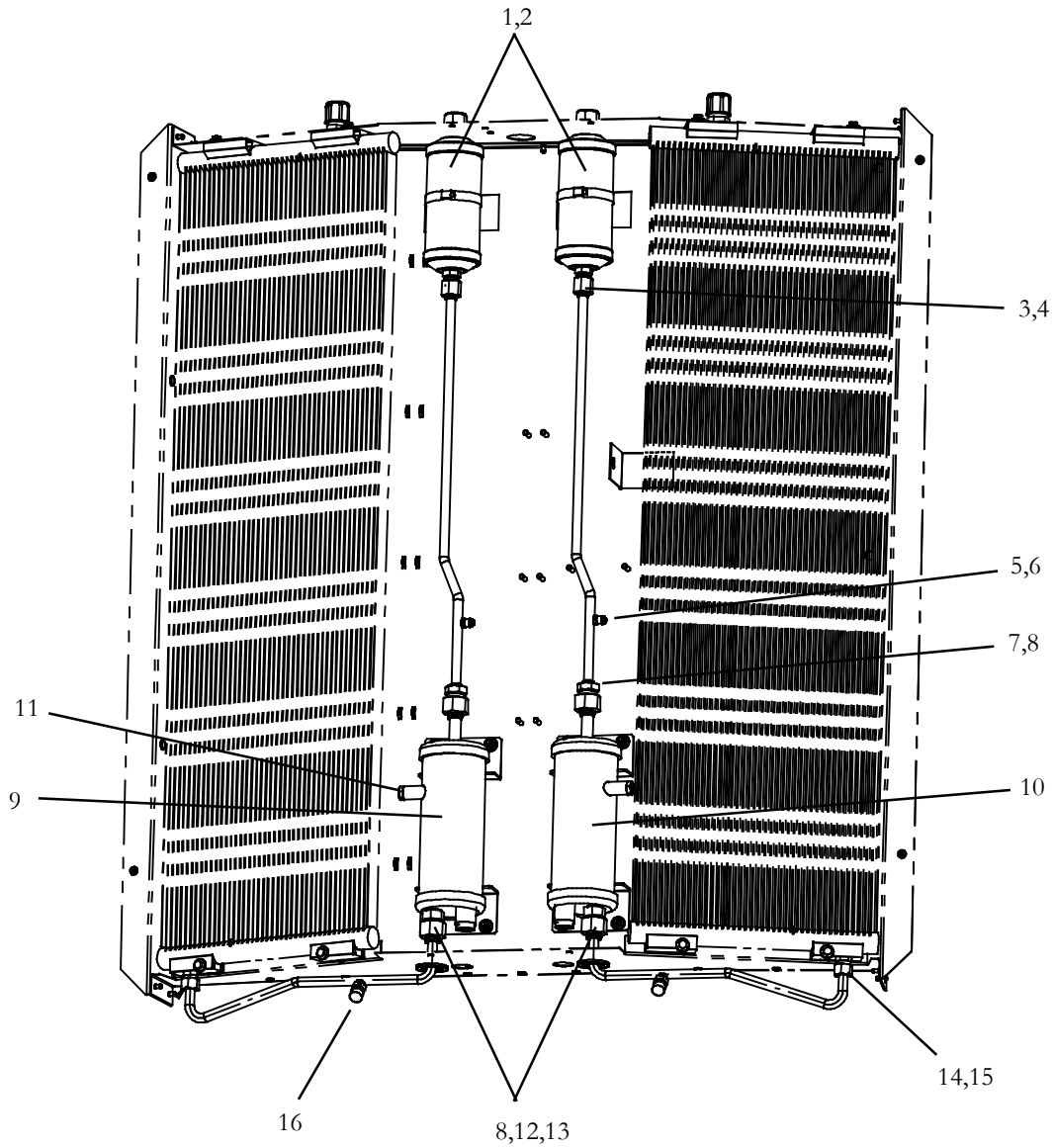


REF: Y19-43002-00 & 01

Item	Part Number	Description	Qty
1	Y21-00004-01	Coil ,Condenser, MCHX - Options 1 & 2	2



2.9.3 REFRIGERATION PIPING KIT, CR430, DUAL LOOP- OPTION 1



REF: Y19-43004-00

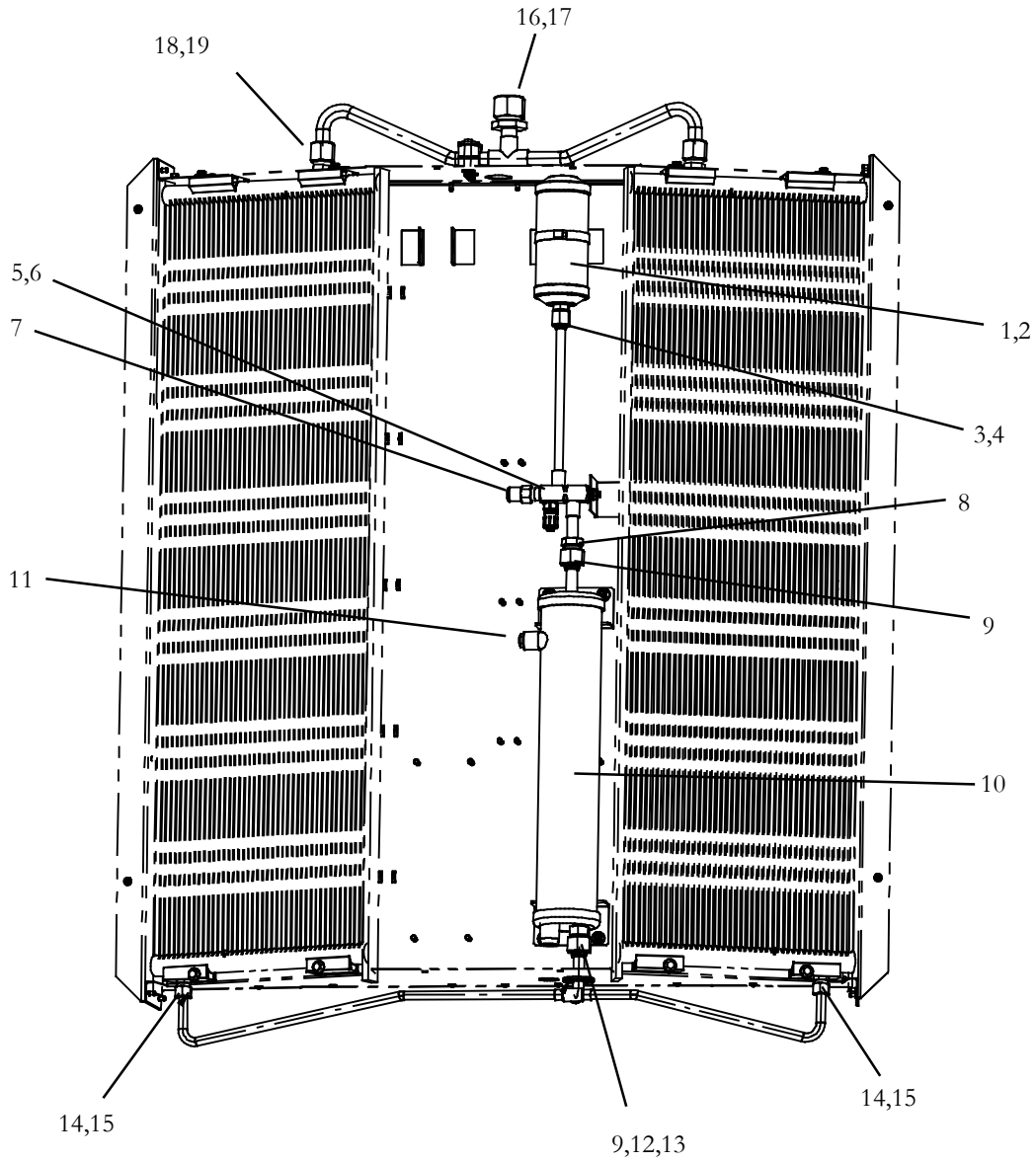
Item	Part Number	Description	Qty
1	14-00326-05	Filter Drier	2
2	42-00243-04	O-Ring, 0.489 ID x 0.070 THK	4
3	40-60008-03	Shoulder, ORS #8 x 1/2" OD Tube	2
4	40-60009-03	Hex Nut, ORS #8 x 1/2" OD Tube	2
5	40-01124-00	Valve Body, Access Port	2
6	14-00351-00	Core, Schrader Valve	2
7	40-00491-09	Fitting, ORS Ref. Conn. 1" - 14	2
8	42-00243-03	O-Ring, 0.614 ID x 0.070 THK	4
9	Y26-00054-00	Receiver Tank	1
10	Y26-00054-01	Receiver Tank	1



2.9.3 REFRIGERATION PIPING KIT, CR430, DUAL LOOP- OPTION 1 (Continued)			
Item	Part Number	Description	Qty
11	14-01032-01	Fusible Plug	2
12	40-60008-04	Shoulder, ORS #10 x 5/8" OD Tube	2
13	40-60009-04	Hex Nut, ORS #10 x 5/8" OD Tube	2
14	40-62125-08	Adaptor Nut, Female Insert O-Ring	2
15	42-00243-12	O-Ring, 0.426 ID x 0.070 THK	2
16	40-60042-01	Coupling, M8, R134a	2



2.9.3 REFRIGERATION PIPING KIT, CR430 SINGLE LOOP- OPTION 2



REF: Y19-43005-00

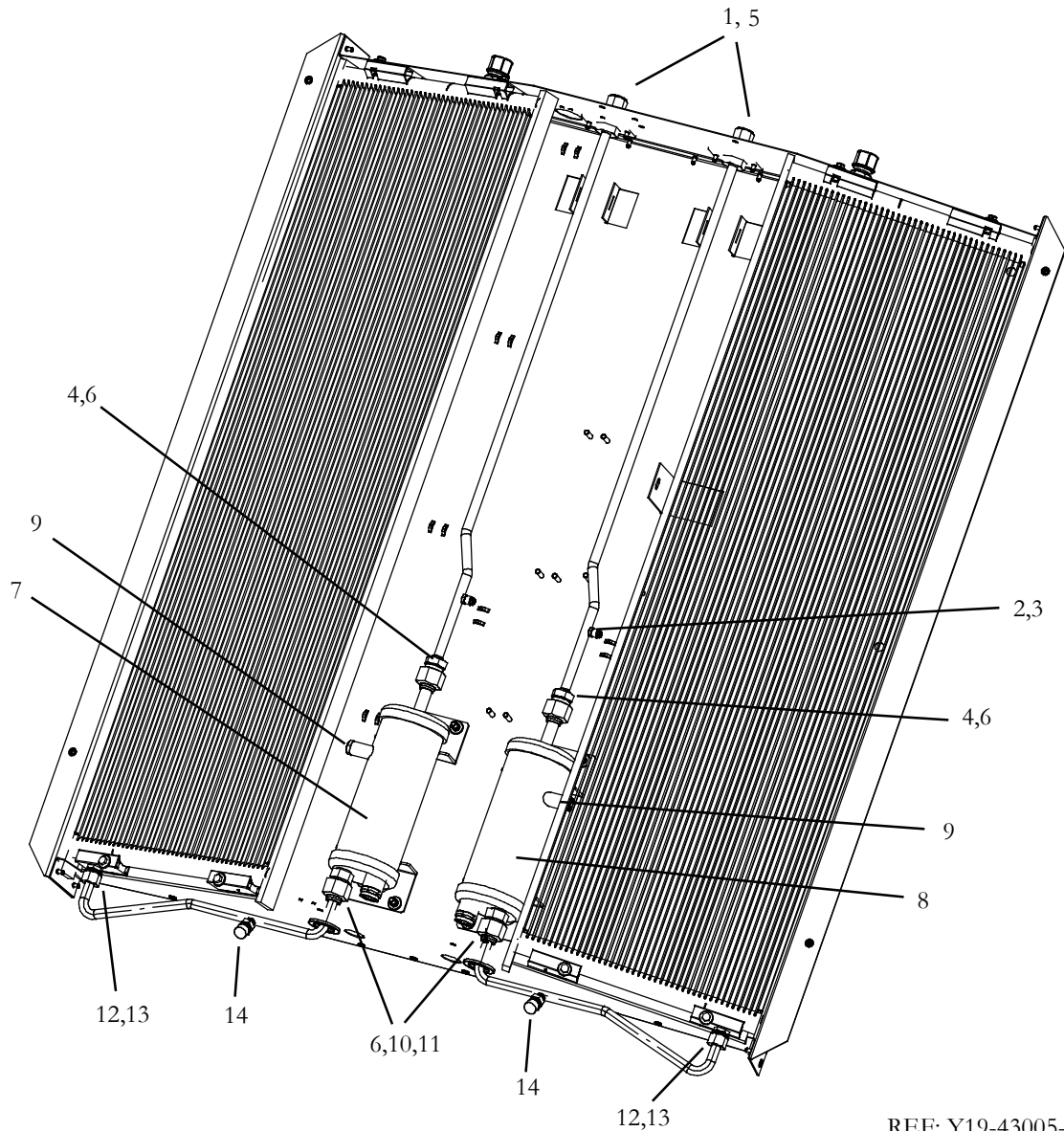
Item	Part Number	Description	Qty
1	14-00326-05	Filter Drier	1
2	42-00243-04	O-Ring, 0.489 ID x 0.070 THK	2
3	40-60008-03	Shoulder, ORS #8 x 1/2" OD Tube	2
4	40-60009-03	Hex Nut, ORS #8 x 1/2" OD Tube	2
5	40-00501-05	Valve, King	1
6	14-00351-00	... Core, Schrader Valve	2
7	40-00501-50	... Cap, King Valve, Service Part	2
8	40-00491-09	Fitting, ORS Ref. Conn. 1" - 14	1
9	42-00243-03	O-Ring, 0.614 ID x 0.070 THK	2
10	Y26-00054-02	Receiver Tank	1
11	14-01032-01	Fusible Plug	2



2.9.3 REFRIGERATION PIPING KIT, CR430 SINGLE LOOP- OPTION 2 (Continued)			
Item	Part Number	Description	Qty
12	40-60008-04	Shoulder, ORS #10 x 5/8" OD Tube	1
13	40-60009-04	Hex Nut, ORS #10 x 5/8" OD Tube	1
14	40-62125-08	Adaptor Nut, Female Insert O-Ring	2
15	42-00243-12	O-Ring, 0.426 ID x 0.070 THK	2
16	40-00491-00	Fitting, ORS Ref. Conn. , 1-7/16" - 12 x 7/8" ODF	1
17	42-00243-00	O-Ring, 0.921 ID x 0.139 THK	1
18	40-67014-03	Nut, Hex, ORP	2
19	42-00243-11	O-Ring, 0.739 ID x 0.070 THK	2



2.9.3 REFRIGERATION PIPING KIT, CR430 DUAL LOOP (Less Filter Driers) - OPTION 3



REF: Y19-43005-01

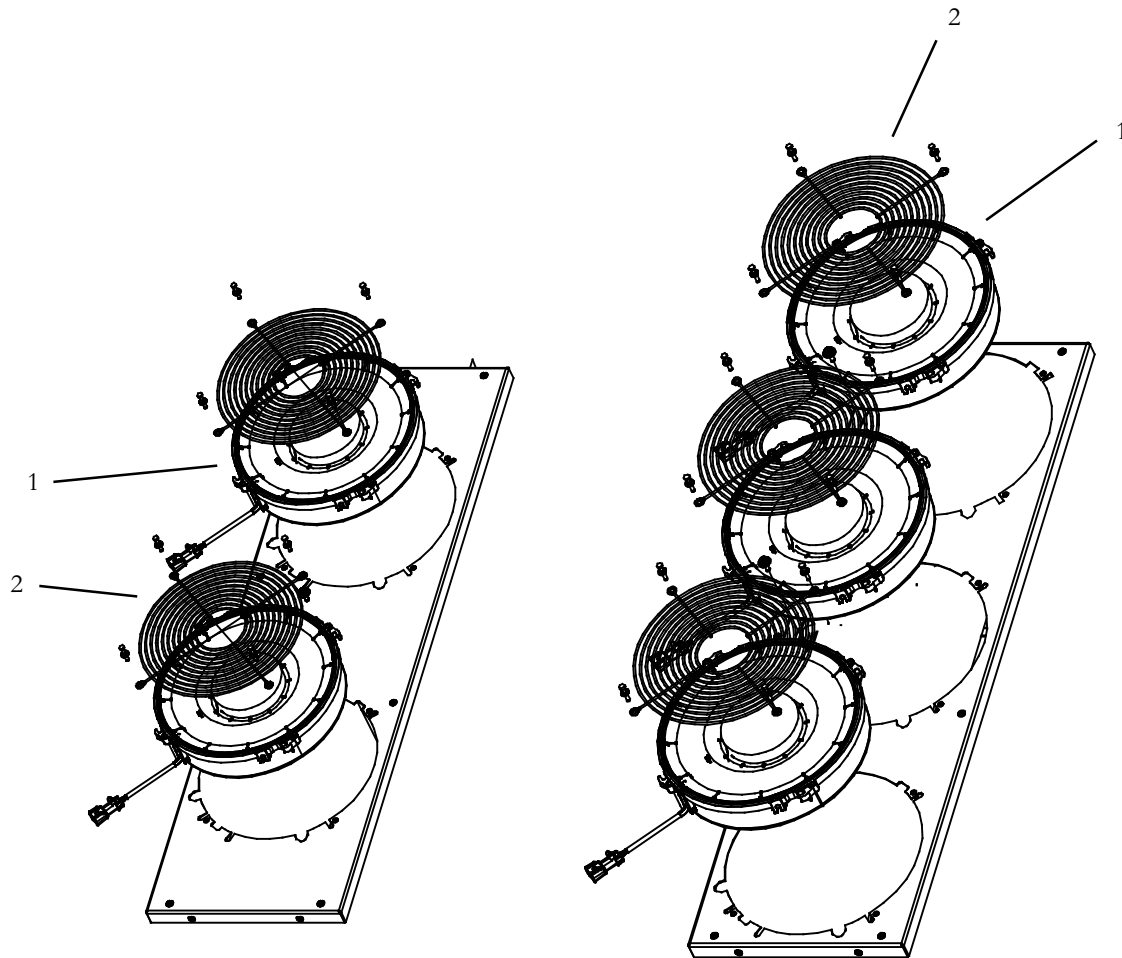
Item	Part Number	Description	Qty
1	42-00243-04	O-Ring, 0.489 ID x 0.070 THK	2
2	40-01124-00	Valve Body, Access Port	2
3	14-00351-00	Core, Schrader Valve	2
4	40-00491-09	Fitting, ORS Ref. Conn. 1" - 14	2
5	40-00491-10	Fitting, ORS Ref. Conn. 13/16" - 16	2
6	42-00243-03	O-Ring, 0.614 ID x 0.070 THK	4
7	Y26-00054-00	Receiver Tank	1
8	Y26-00054-01	Receiver Tank	1
9	14-01032-01	Fusible Plug	2



2.9.3 REFRIGERATION PIPING KIT, CR430 DUAL LOOP (Less Filter Driers) - OPTION 3 (Continued)			
10	40-60008-04	Shoulder, ORS #10 x 5/8" OD Tube	2
11	40-60009-04	Hex Nut, ORS #10 x 5/8" OD Tube	2
12	40-62125-08	Adaptor Nut, Female Insert O-Ring	2
13	42-00243-12	O-Ring, 0.426 ID x 0.070 THK	2
14	40-60042-01	Coupling, M8, R134a	2



2.9.4 FAN & MOTOR KITS, CR430 OPTION 1, 2 & 3



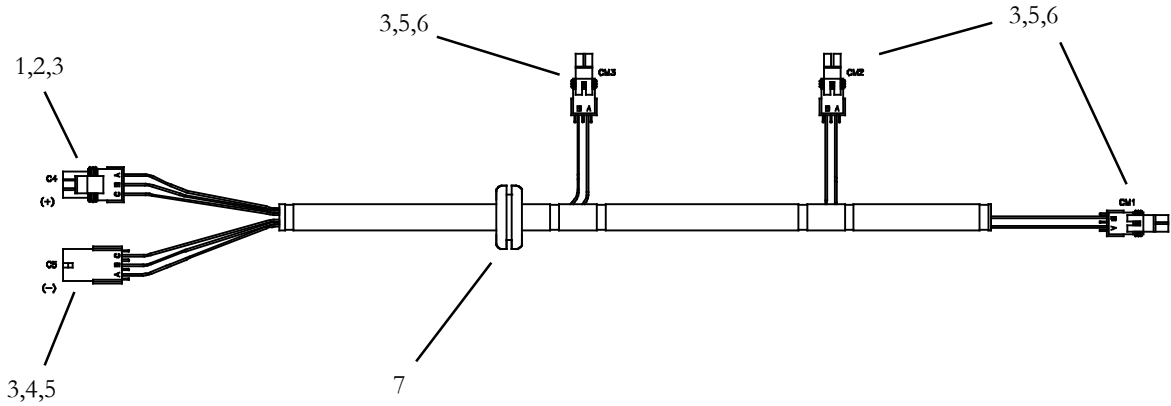
REF: Y19-43003-00, -01, -02 & -03

Item	Part Number	Description	Qty
1	54-00622-01	Fan & Motor Assembly, 12 VDC PM/Brushed- Option 1	3
	54-00622-01	Fan & Motor Assembly, 12 VDC PM/Brushed- Option 2	2
	54-00622-00	Fan & Motor Assembly, 24 VDC PM/Brushed- Option 3	3
	54-00622-00	Fan & Motor Assembly, 24 VDC PM/Brushed- Option 4	2
2	73-67002-00	Grille, Condenser Fan- All Models	A/R



NOTE: Complete Wire Harnesses are Non-Stock Items. Replacement Components are Listed and can be cross referenced to supplier part number in manual T-375PL.

2.9.5 ELECTRICAL KIT, CR430 SINGLE LOOP 3 Fan- Option 1



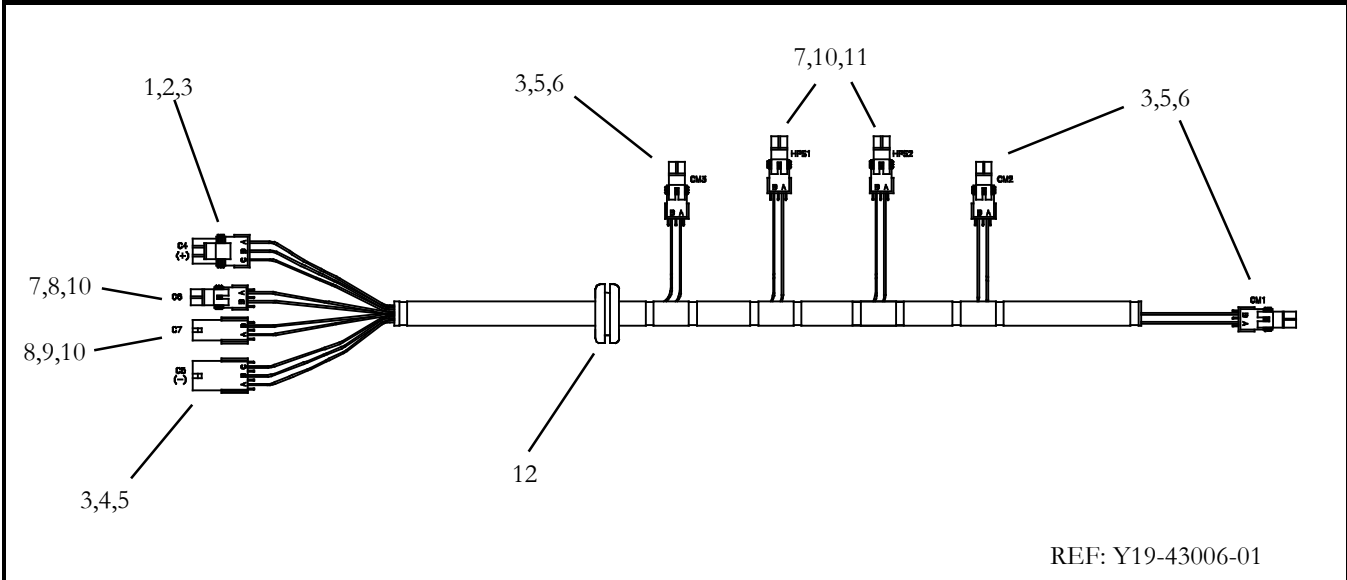
REF: Y19-43006-00

Item	Part Number	Description	Qty
1	22-01585-05	Connector, 3 Position WP (C4)	1
2	22-02393-00	Terminal, Male	3
3	22-02394-00	Seal, Cable	12
4	22-02392-04	Connector, 3 Position WP (C5)	1
5	22-01566-00	Terminal, Female	9
6	22-01585-00	Connector, 2 Position WP (CM1,2 &3)	3
7	58-00065-52	Grommet	1



NOTE: Complete Wire Harnesses are Non-Stock Items. Replacement Components are Listed and can be cross referenced to supplier part number in manual T-375PL.

2.9.5 ELECTRICAL KIT, CR430 DUAL LOOP 3 Fan- Option 2



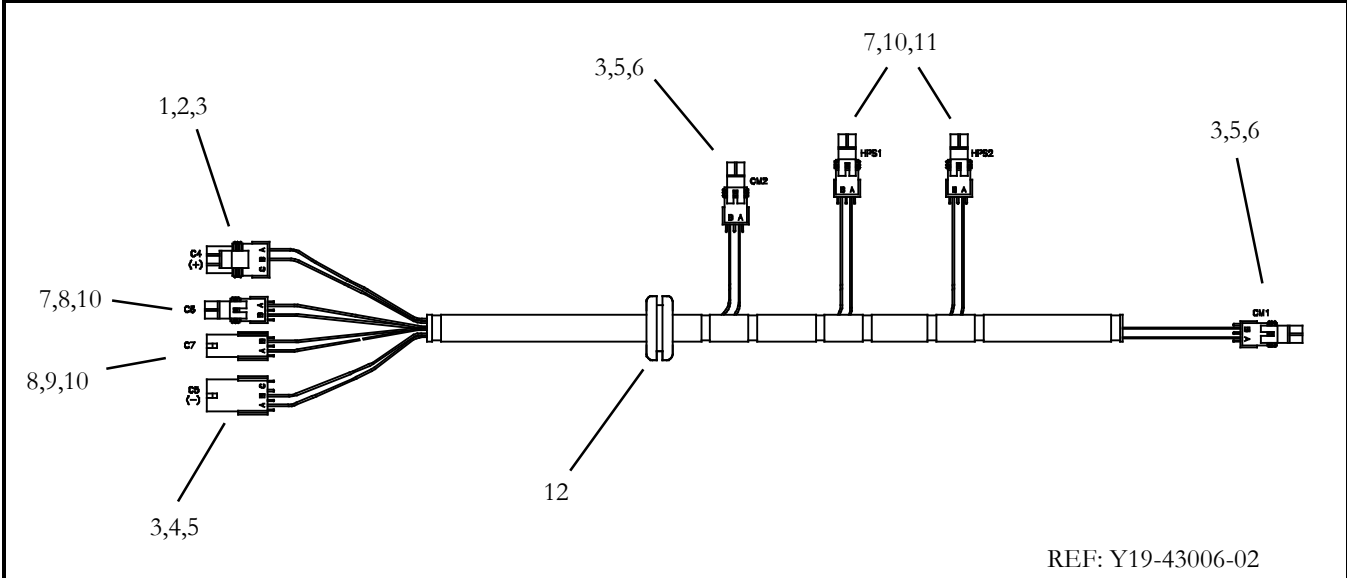
REF: Y19-43006-01

Item	Part Number	Description	Qty
1	22-01585-05	Connector, 3 Position WP (C4)	1
2	22-02393-00	Terminal, Male, 14-16 AWG	3
3	22-02394-00	Seal, Cable	12
4	22-02392-04	Connector, 3 Position WP (C5)	1
5	22-01566-00	Terminal, Female, 14-16 AWG	9
6	22-01585-00	Connector, 2 Position WP (CM1,2 &3)	3
7	22-01585-02	Connector, 2 Position WP (C6, HPS1 & HPS2)	3
8	22-02393-01	Terminal, Male, 18 AWG	4
9	22-02392-01	Connector, 2 Position WP (C7)	1
10	22-02394-02	Seal, Cable	8
11	22-01566-01	Terminal, Female, 18 AWG	4
12	58-00065-52	Grommet	1



NOTE: Complete Wire Harnesses are Non-Stock Items. Replacement Components are Listed and can be cross referenced to supplier part number in manual T-375PL.

2.9.5 ELECTRICAL KIT, CR430 DUAL LOOP 2 Fan- Option 3

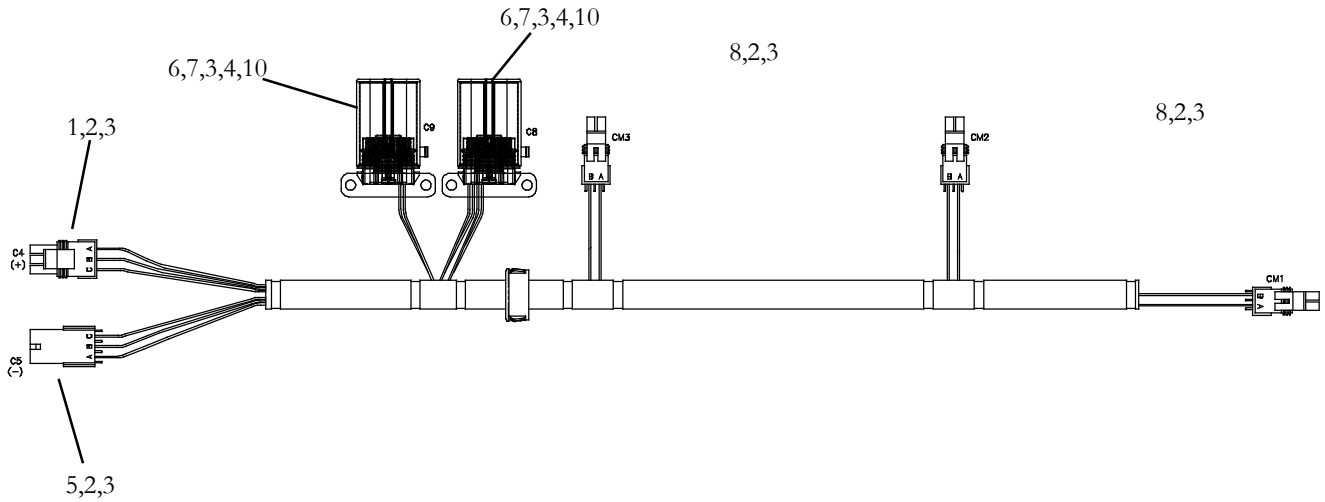


Item	Part Number	Description	Qty
1	22-01585-05	Connector, 3 Position WP (C4)	1
2	22-02393-00	Terminal, Male, 14-16 AWG	2
3	22-02394-00	Seal, Cable	10
4	22-02392-04	Connector, 3 Position WP (C5)	1
5	22-01566-00	Terminal, Female, 14-16 AWG	6
6	22-01585-00	Connector, 2 Position WP (CM1,2)	2
7	22-01585-02	Connector, 2 Position WP (C6, HPS1 & HPS2)	3
8	22-02393-01	Terminal, Male, 18 AWG	4
9	22-02392-01	Connector, 2 Position WP (C7)	1
10	22-02394-02	Seal, Cable	8
11	22-01566-01	Terminal, Female, 18 AWG	4
12	58-00065-52	Grommet	1



NOTE: Complete Wire Harnesses are Non-Stock Items. Replacement Components are Listed and can be cross referenced to supplier part number in manual T-375PL.

2.9.5 ELECTRICAL KIT, CR430 SINGLE LOOP 3 Fan, 24VDC, Circuit Protection Weatherpac Connectors- Option 4



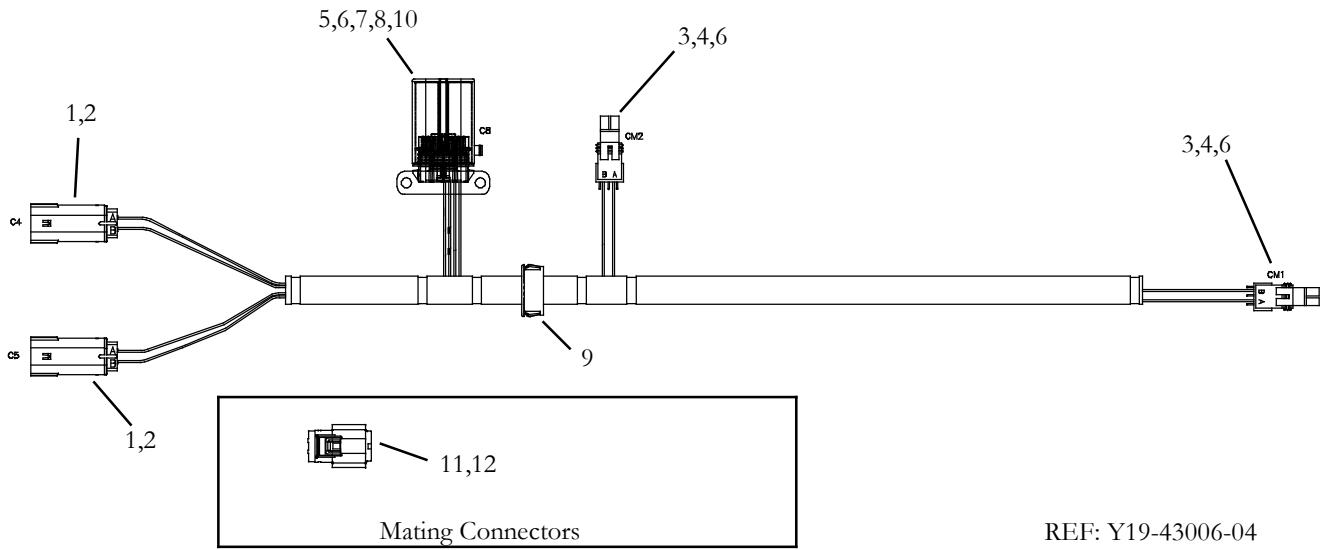
REF: Y19-43006-03

Item	Part Number	Description	Qty
1	22-01585-05	Connector, 3 Position WP (C4)	1
2	22-50078-58H	Terminal, Female, 12 AWG	12
3	22-02394-01	Seal, Cable	18
4	22-50078-55	Plug, 280 Series	A/R
5	22-02392-04	Connector, 3 Position WP (C5)	1
6	Y31-00008-00	Fuse Holder, 8 Cavity	2
7	22-50078-47E	Terminal, Female, 14-16 AWG	6
8	22-01585-00	Connector, 2 Position WP (CM1,2,3)	3
9	58-00661-07	Grommet	1
10	Y35-00013-04	Circuit Breaker, 15A	3
N/S	Y30-13000-00	Synthetic Lubricant, Connectors	A/R



NOTE: Complete Wire Harnesses are Non-Stock Items. Replacement Components are Listed and can be cross referenced to supplier part number in manual T-375PL.

2.9.5 ELECTRICAL KIT, CR430 SINGLE LOOP 2 Fan, 12VDC, Circuit Protection Molex Connectors- Option 5

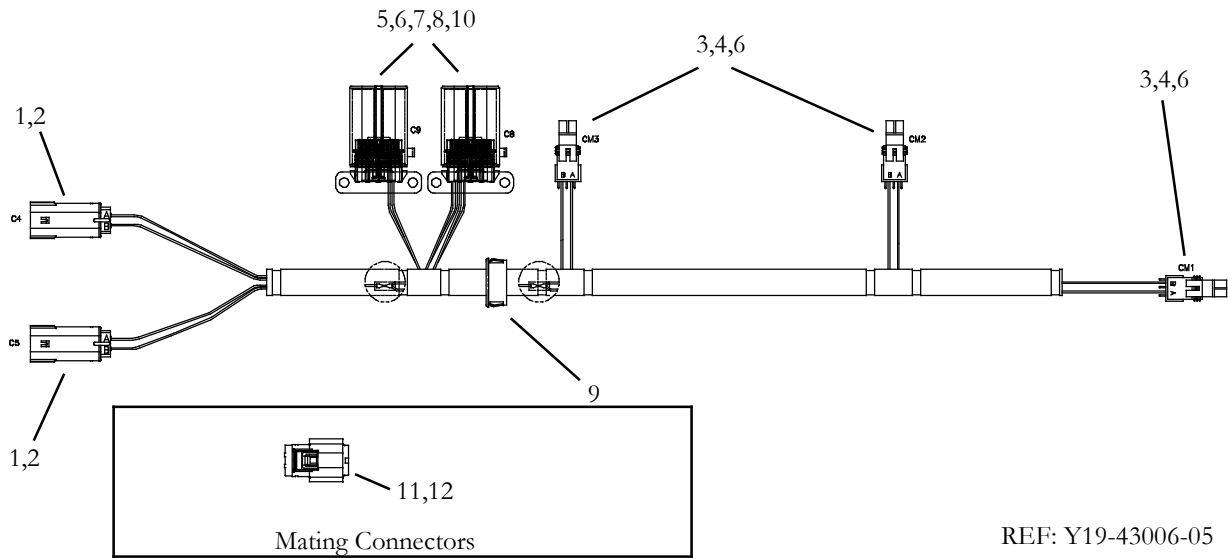


Item	Part Number	Description	Qty
1	22-50099-29	Connector, 2 Position Molex (C4 & C5)	2
2	22-50099-29A	Terminal, Male, Molex, 12 AWG	4
3	22-01585-00	Connector, 2 Position WP (CM1 & CM2)	2
4	22-50078-58H	Terminal, Female, 12 AWG	4
5	22-50078-47E	Terminal, Female, 14-16 AWG	4
6	22-02394-01	Seal, Cable	12
7	22-50078-55	Plug, 280 Series	A/R
8	Y31-00008-00	Fuse Holder, 8 Cavity	1
9	58-00661-07	Grommet	1
10	Y35-00013-05	Circuit Breaker, 20A	2
11	22-50099-28	Mating Connector, 2 Position Molex, 8 AWG (C4 & C5)	2
12	22-50099-28A	Terminal, Female, Molex, 8 AWG	4
N/S	Y30-13000-00	Synthetic Lubricant, Connectors	A/R



NOTE: Complete Wire Harnesses are Non-Stock Items. Replacement Components are Listed and can be cross referenced to supplier part number in manual T-375PL.

2.9.5 ELECTRICAL KIT, CR430 SINGLE LOOP 3 Fan, 12VDC, Circuit Protection Molex Connectors- Option 6



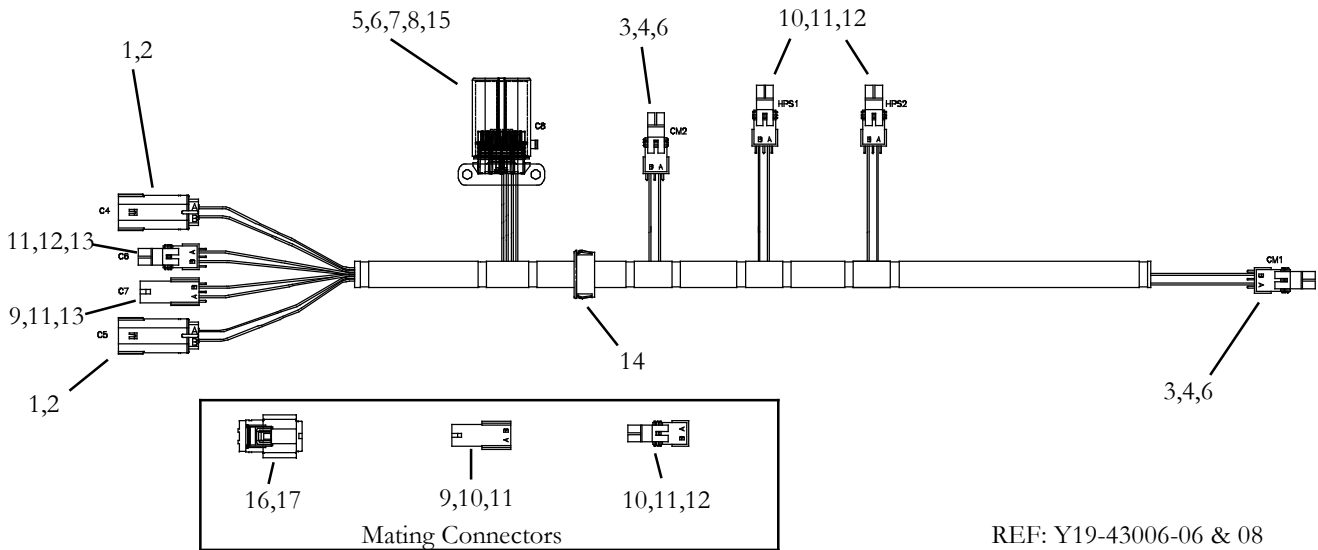
REF: Y19-43006-05

Item	Part Number	Description	Qty
1	22-50099-29	Connector, 2 Position Molex (C4 & C5)	2
2	22-50099-29A	Terminal, Male, Molex, 12 AWG	4
3	22-01585-00	Connector, 2 Position WP (CM1,CM2 & CM3)	3
4	22-50078-58H	Terminal, Female, 12 AWG	6
5	22-50078-47E	Terminal, Female, 14-16 AWG	6
6	22-02394-01	Seal, Cable	12
7	22-50078-55	Plug, 280 Series	A/R
8	Y31-00008-00	Fuse Holder, 8 Cavity	2
9	58-00661-07	Grommet	1
10	Y35-00013-05	Circuit Breaker, 20A	3
11	22-50099-28	Mating Connector, 2 Position Molex, 8 AWG (C4 & C5)	2
12	22-50099-28A	Terminal, Female, Molex, 8 AWG	4
N/S	Y30-13000-00	Synthetic Lubricant, Connectors	A/R



NOTE: Complete Wire Harnesses are Non-Stock Items. Replacement Components are Listed and can be cross referenced to supplier part number in manual T-375PL.

**2.9.5 ELECTRICAL KIT, CR430 DUAL LOOP 2 Fan, 24 & 12VDC
Circuit Protect, Press. Switches, Molex Connectors- Option 7**

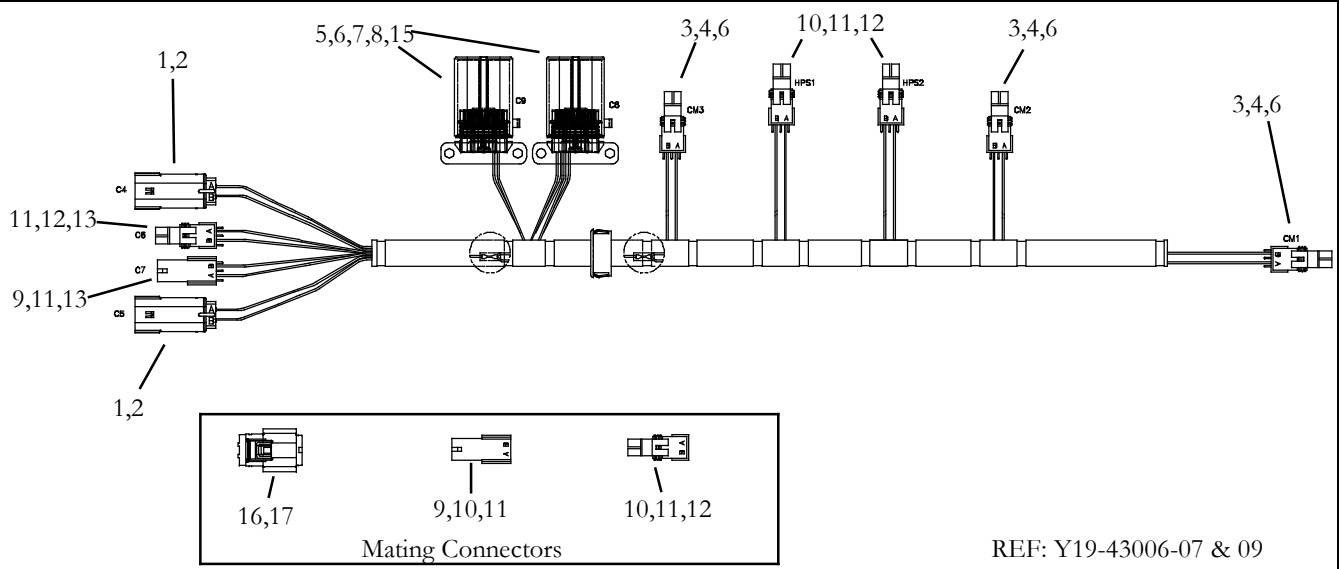


Item	Part Number	Description	Qty
1	22-50099-29	Connector, 2 Position Molex (C4 & C5)	2
2	22-50099-29A	Terminal, Male, Molex, 12 AWG	4
3	22-01585-00	Connector, 2 Position WP (CM1 & CM2)	2
4	22-50078-58H	Terminal, Female, 12 AWG	6
5	22-50078-47E	Terminal, Female, 12 AWG	6
6	22-02394-01	Seal, Cable	8
7	22-50078-55	Plug, 280 Series	A/R
8	Y31-00008-00	Fuse Holder, 8 Cavity	2
9	22-02392-01	Connector, 2 Position Female, WP	2
10	22-01566-01	Terminal, Female, 18 AWG	8
11	22-02394-02	Seal, Cable	8
12	22-01585-02	Connector, 2 Position Male, WP	4
13	22-02393-01	Terminal, Male, 18 AWG	4
14	58-00661-07	Grommet	1
15	Y35-00013-05	Circuit Breaker, 20A (12 VDC Models)	2
	Y35-00013-04	Circuit Breaker, 15A (24 VDC Models)	2
16	22-50099-28	Mating Connector, 2 Position Molex, 8 AWG (C4 & C5)	2
17	22-50099-28A	Terminal, Female, Molex, 8 AWG	4
N/S	Y30-13000-00	Synthetic Lubricant, Connectors	A/R



NOTE: Complete Wire Harnesses are Non-Stock Items. Replacement Components are Listed and can be cross referenced to supplier part number in manual T-375PL.

**2.9.5 ELECTRICAL KIT, CR430 DUAL LOOP 3 Fan, 24 & 12VDC
Circuit Protect, Press. Switches, Molex Connectors- Option 8**



Item	Part Number	Description	Qty
1	22-50099-29	Connector, 2 Position Molex (C4 & C5)	2
2	22-50099-29A	Terminal, Male, Molex, 12 AWG	4
3	22-01585-00	Connector, 2 Position WP (CM1, CM2 & CM3)	3
4	22-50078-58H	Terminal, Female, 12 AWG	8
5	22-50078-47E	Terminal, Female, 12 AWG	6
6	22-02394-01	Seal, Cable	10
7	22-50078-55	Plug, 280 Series	A/R
8	Y31-00008-00	Fuse Holder, 8 Cavity	2
9	22-02392-01	Connector, 2 Position Female, WP	2
10	22-01566-01	Terminal, Female, 18 AWG	8
11	22-02394-02	Seal, Cable	8
12	22-01585-02	Connector, 2 Position Male, WP	4
13	22-02393-01	Terminal, Male, 18 AWG	4
14	58-00661-07	Grommet	1
15	Y35-00013-05	Circuit Breaker, 20A (12 VDC Models)	3
	Y35-00013-04	Circuit Breaker, 15A (24 VDC Models)	3
16	22-50099-28	Mating Connector, 2 Position Molex, 8 AWG (C4 & C5)	2
17	22-50099-28A	Terminal, Female, Molex, 8 AWG	4
N/S	Y30-13000-00	Synthetic Lubricant, Connectors	A/R



SECTION 2.10 CONDENSER, 68KR4-101 SERIES

INTRODUCTION

The Mobile Climate Control model 68KR4 series condensers are of lightweight frame construction, designed to be installed on the vehicle roof.

CONFIGURATION IDENTIFICATION

Unit identification information is provided on a plate located inside the condenser. The plate provides the unit model number, the unit serial number and the unit parts identification number (PID). The model number identifies the overall unit configuration while the PID provides information on specific optional equipment and differences in detailed parts. This section provides a description of and a tabular listing of unit model numbers and PID numbers to assist the reader in identifying the equipment supplied and any required service parts.

OPTION DESCRIPTION

Various options may be factory or field equipped to the base unit. These options are listed in the tables and described in the following subparagraphs.

Skins Kit

The top cover is designed to allow for different mounting arrangements on high roof radius or low roof radius configurations.

Refrigeration Kit

The unit may be fitted with a single or dual loop refrigeration system

Electrical Kit

The unit may be fitted with 12 or 24 volt fan motors.

Frame Kit

The condenser may be fitted with one of two different base assemblies. The assemblies differ dependent on single or dual loop refrigerant system configuration.

OPTION LEGEND KR4

Skins Kit 68KR4-101 & 102 Series	
1	Top Cover - Small Radius for High Roof
2	Top Cover - Large Radius for Low Roof
Refrigeration Kit 68KR4-101 Series	
1	Dual Loop
2	Single Loop
3	Dual Loop - Less Filters & Valves
Refrigeration Kit 68KR4-102 Series	
4	Dual Loop
5	Single Loop
6	Dual Loop - Less Filters & Valves
Electrical Kit 68KR4-101 Series	
1	24 VDC W/PM Motors
2	12 VDC W/PM Motors
3	24 VDC W/PM Motors W/Fuse
4	12 VDC W/PM Motors W/Fuse
Electrical Kit 68KR4-102 Series	
5	24 VDC W/PM Motors W/Fuse
6	12 VDC W/PM Motors W/Fuse
Condenser Frame 68KR4-101 & 102 Series	
1	ALL

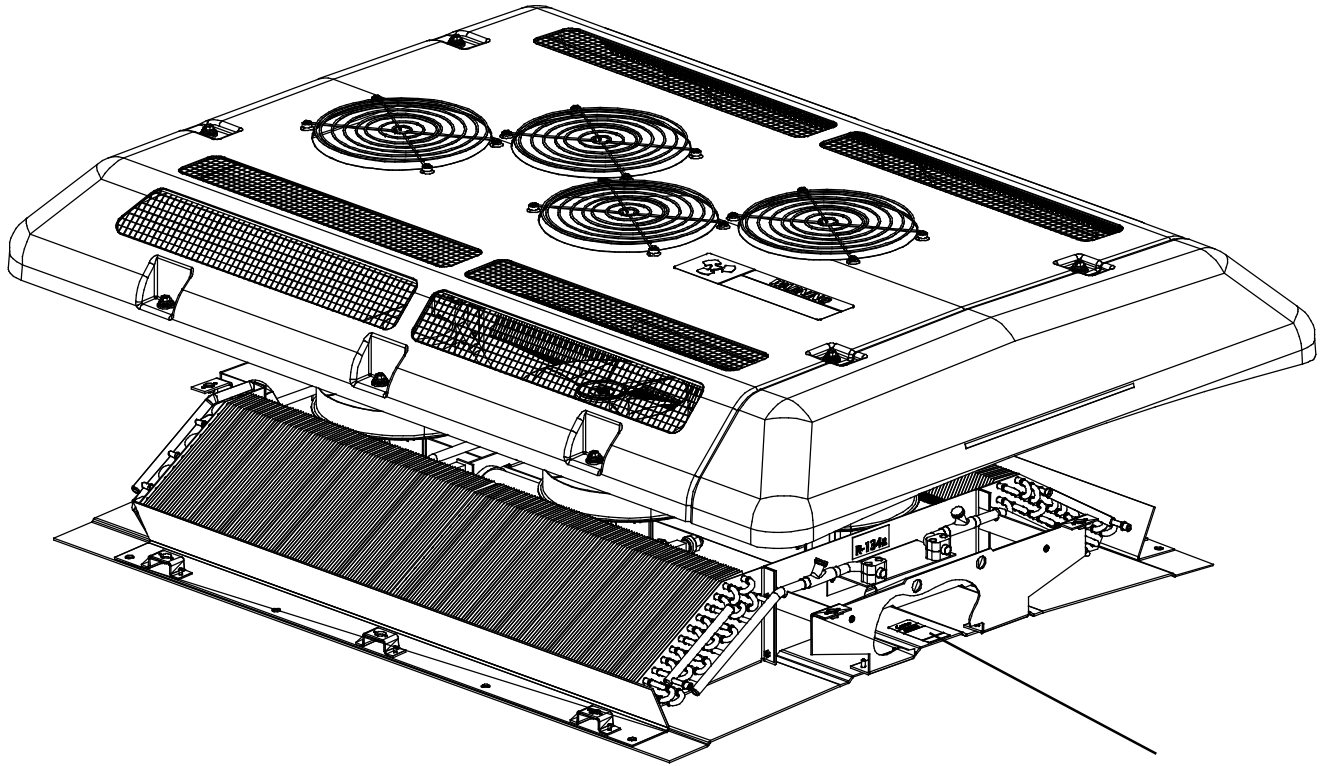


OPTION TABLE KR4

MODEL 68KR4	PID Condenser KR4C	Skins Kit (See Section 2.10.2)	Refrigeration Kit (See Section 2.10.3)	Electrical Kit (See Section 2.10.4)	Frame Kit (See Section 2.10.5)
-101	00030	1	1	3	1
-101-1	00031	2	1	1	1
-101-2	00032	1	1	4	1
-101-3	00033	2	1	2	1
-101-4	00034	1	2	3	1
-101-5	00035	2	2	1	1
-101-6	00036	1	2	2	1
-101-7	00037	2	2	2	1
-101-8	00038	1	3	4	1
-101-9	00039	N/A	1	4	1
-102	00040	1	4	5	1
-102-1	00041	2	4	5	1
-102-2	00042	1	4	6	1
-102-3	00043	2	4	6	1
-102-4	00044	1	5	5	1
-102-5	00045	2	5	5	1
-102-6	00046	2	4	6	1
-102-8	00048	1	6	6	1
-102-9	00049	N/A	4	6	1
-102-10	N/A	2	4	6	1



2.10.1 CONDENSER, 68KR4-101 & 68KR4-102 SERIES



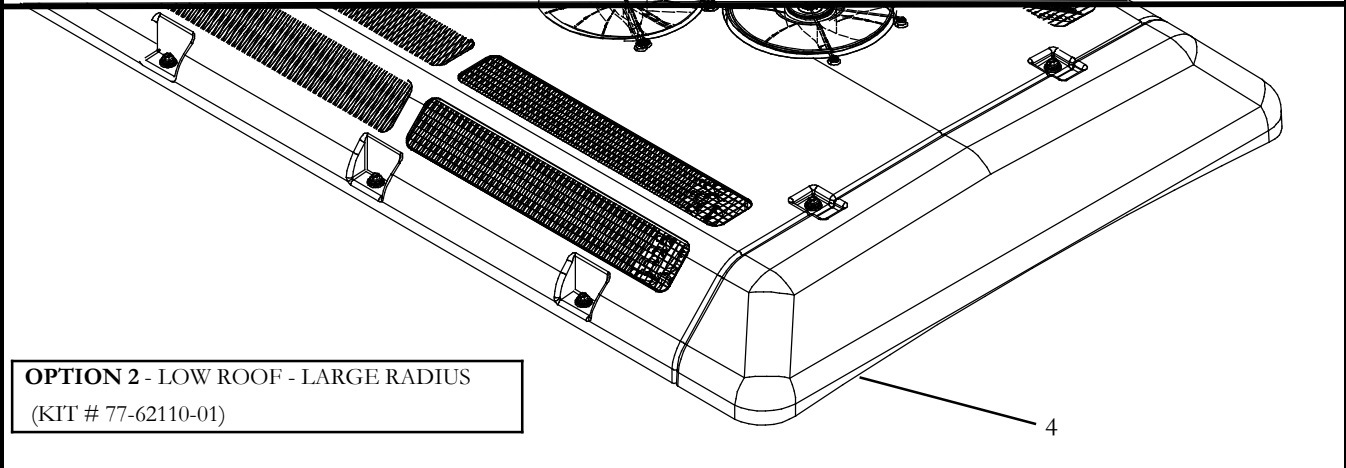
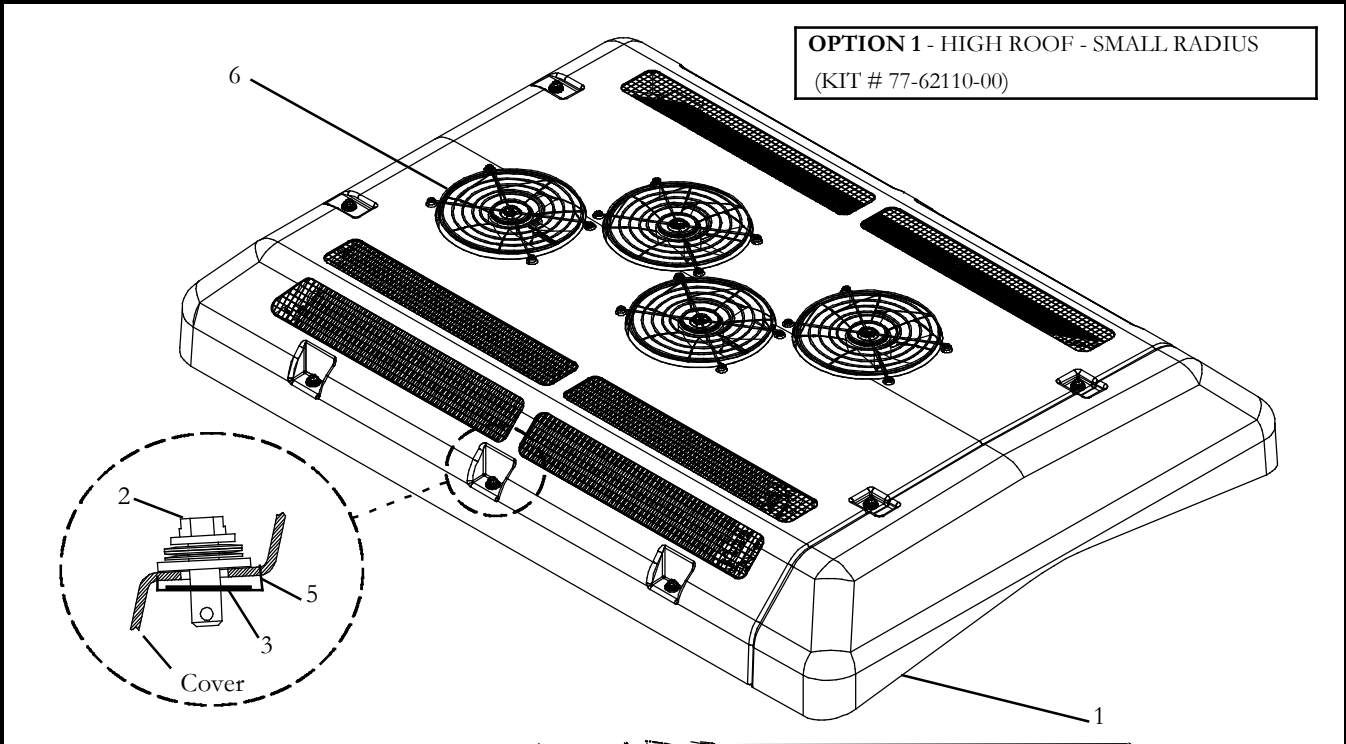
Reference Kit # 77-62111-XX

Used on ALL Models Except KR4-101-9 & KR4-102-9

PID
Serial/Model-
Number Plate



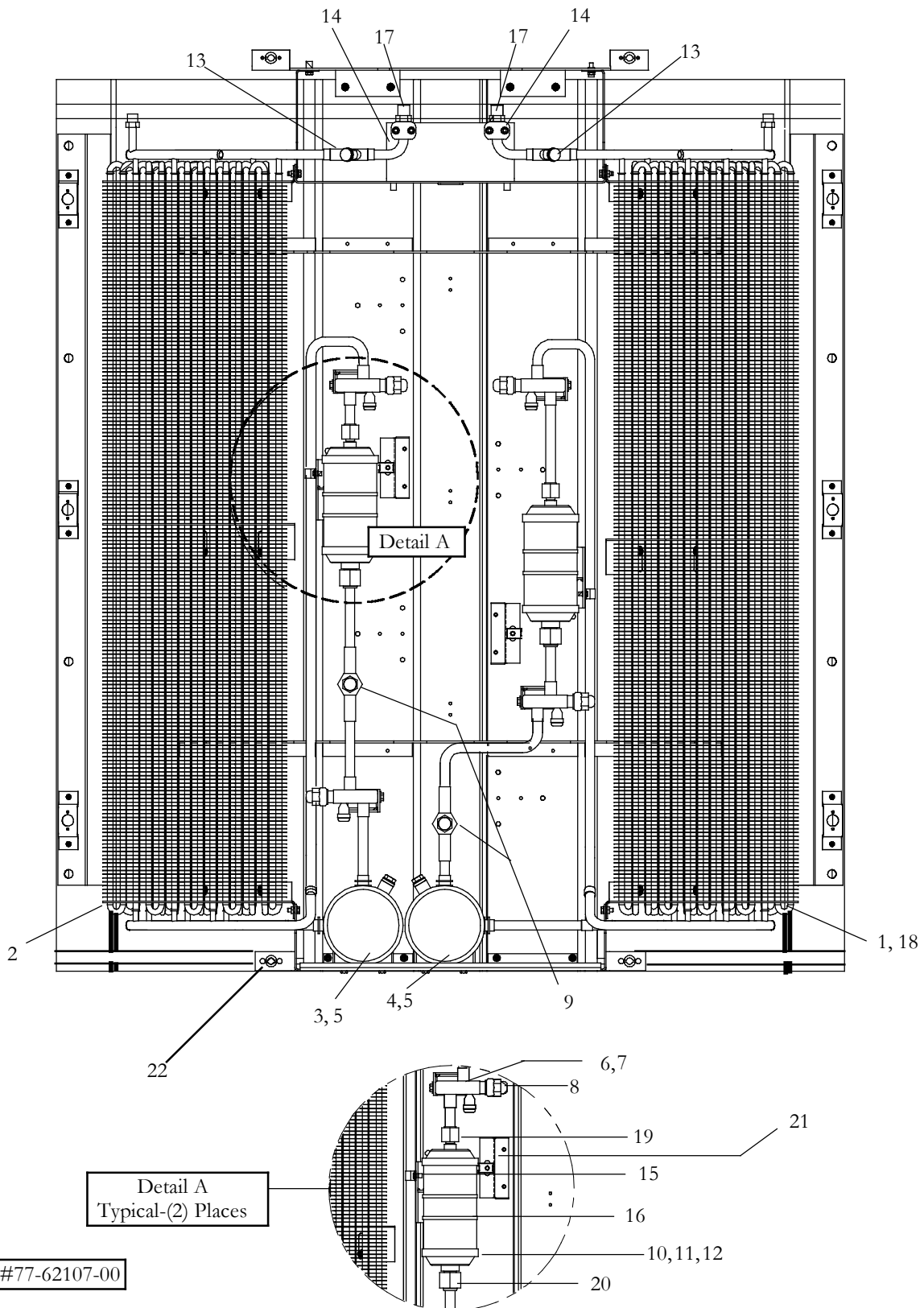
2.10.2 CONDENSER, 68KR4-101 & 68KR4-102 SERIES, SKINS KIT - OPTION 1 & 2



Item	Part Number	Description	Qty
OPTION 1			
1	58-62040-00	Cover, Top, Condenser, KR4, High Roof Radius, With End Cap	1
2	34-62015-00	Stud, Captive, 1/4 Turn Camloc	10
3	34-67025-00	Washer, Special, Retaining	10
OPTION 2			
4	58-62040-02	Cover, Top, Condenser, KR4, Low Roof Radius, With End Cap	1
2	34-62015-00	Stud, Captive, 1/4 Turn Camloc	10
3	34-67025-00	Washer, Special, Retaining	10
COMMON PARTS			
5	68-63648-00	Plate, Reinforcing, Cover	10
6	73-62003-00	Grill, Cover	4



2.10.3 CONDENSER, 68KR4-101 SERIES, REFRIGERATION KIT, DUAL LOOP - OPTION 1

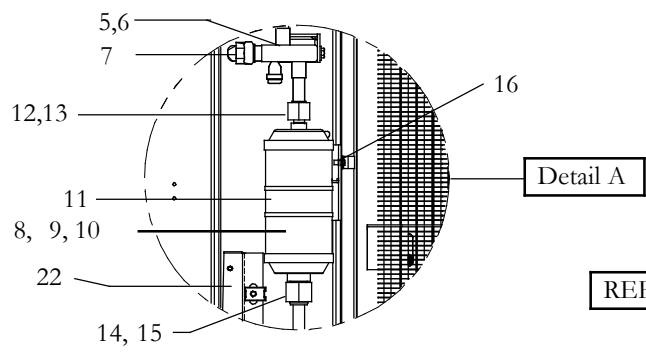
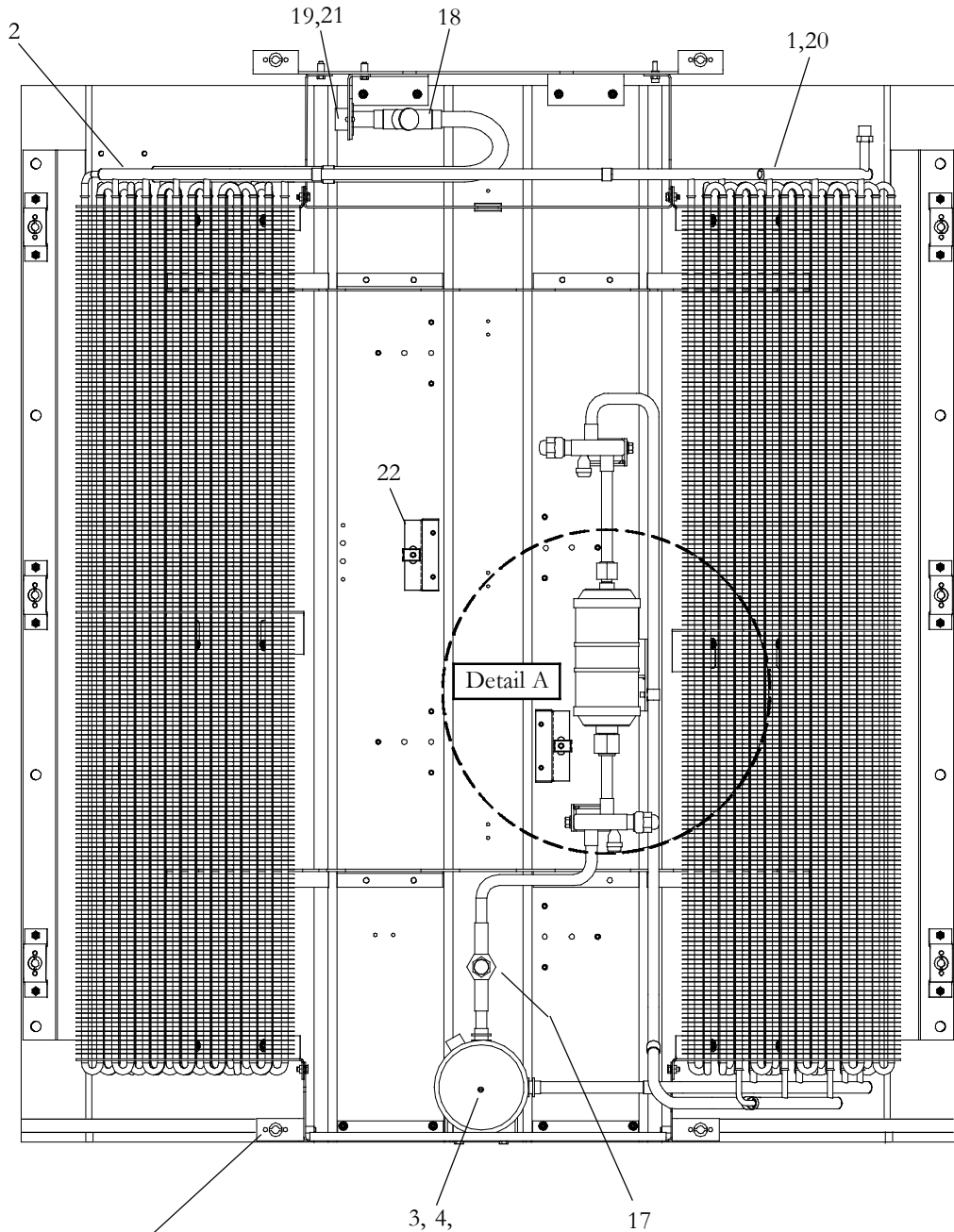




2.10.3 CONDENSER, 68KR4-101 SERIES, REFRIGERANT KIT DUAL LOOP - OPTION 1 - Continued:			
Item	Part Number	Description	Qty
1	08-62038-00	Coil, Condenser, Dual Loop	1
2	08-62038-01	Coil, Condenser, Dual Loop	1
3	65-62003-00	Receiver Assembly, Inlet Right, 5 Inch O.D.	1
4	65-62003-01	Receiver Assembly, Inlet Left, 5 Inch O.D.	1
5	14-01032-01	Plug, Fusible, 3/8 MPT	2
6	40-00501-05	Valve, King, Brass, 5/8 ODF	4
7	14-00351-00	. . . Core, Schrader Valve	2
8	40-00501-50	. . . Cap, King Valve, Service Part	4
9	14-00026-04	Indicator, Liquid & Moisture, 5/8 ODF	2
10	14-00320-00	Filter Drier, 3/4 ORS Inlet X 5/8 Inch ORS Outlet - Includes:	2
11	42-00243-11O-Ring, .739 ID X .070 Thick	1
12	42-00243-03O-Ring, .614 ID X .070 Thick	1
13	14-00029-04	Valve, Check, 5/8 ODF	2
14	44-00285-81	Clamp, Tube, Saddle, 5/8 Inch (With Cover Plate)	2
15	-	Clamp, Tube, 0.625 Dia. Cushion	NSI
16	44-00045-20	Clamp, Hose, Worm Type (3.063 - 4.00 Inches)	4
17	40-62032-01	Nut, Swivel Fitting, Male Insert O-Ring, 7/8-14 X 5/8 ODF	2
18	AC801-414	Gasket, Foam, 3/8 X 1.00 Inch X 25 Foot Roll	1
19	40-00503-03	Collar, Tube - 5/8 ORS, Brass	2
20	40-00503-04	Collar, Tube - 5/8 ORS, Nickel Plated Steel	2
21	AC701-101	Nut, Speed, "J" Type, 1/4-20	2
22	34-62016-00	Plate, Locking	2



2.10.3 CONDENSER, 68KR4-101 SERIES, REFRIGERANT KIT, SINGLE LOOP - OPTION 2



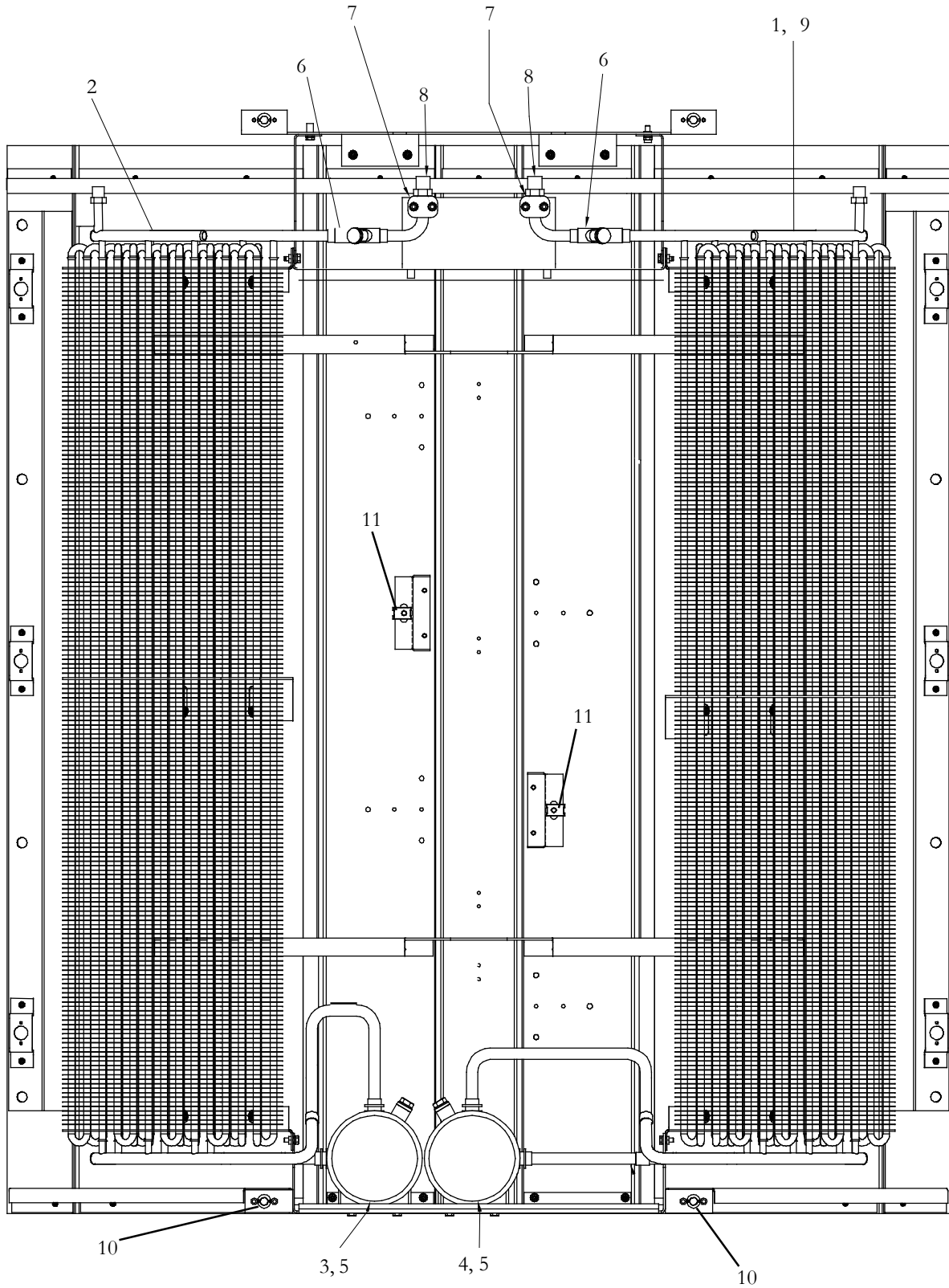
REF. KIT #77-62129-00



2.10.3 CONDENSER, 68KR4-101 SERIES, REFRIGERANT KIT, SINGLE LOOP - OPTION 2 - Continued:			
Item	Part Number	Description	Qty
1	08-62046-00	Coil Assembly, Condenser, Right Side	1
2	08-62046-01	Coil Assembly, Condenser, Left Side	1
3	65-62003-01	Receiver Assembly, Inlet Left, 5 Inch OD	1
4	14-01032-01	Plug, Fusible, Safety, 3/8 NPTF	1
5	40-00501-05	Valve, King, Brass, 5/8 ODF	2
6	14-00351-00	. . . Core, Schrader Valve	2
7	40-00501-50	. . . Cap, King Valve, Service Part	2
8	14-00320-00	Filter Drier, 3/4 ORS Inlet X 5/8 ORS Outlet (41 Cu. In.) - Includes:	1
9	42-00243-11	...O-Ring, .739 ID X .070 Thick	1
10	42-00243-03	...O-Ring, .614 ID X .070 Thick	1
11	44-00045-20	Clamp, Hose, Worm Type, (3.063 - 4.00 Inches)	2
12	34-06121-04	Nut, Hex, ORS Braze (1-3/16-12 Threads) 12,13	1
13	40-00503-04	Collar, Tube, 5/8 ORS, Nickel Plated Steel	1
14	34-06121-03	Nut, Hex, ORS Braze (1-14 Threads)	1
15	40-00503-03	Collar, Tube - 5/8 ORS, Brass	1
16	-	Clamp, Tube, 0.625 Dia. Cushioned	NSI
17	14-00026-04	Indicator, Liquid & Moisture, 5/8 ODF	1
18	14-00029-09	Valve, Check, 7/8 ODF	1
19	40-00491-00	Fitting, ORS, 7/8 x 1 3/16-12, Brass	1
20	AC801-414	Gasket, Foam, .375 X 1.00 X 25 Foot Roll	1
21	34-06088-00	Nut, Hex, 1-7/16-12, Brass	1
22	AC701-101	Nut, Speed, 'J' Type, 1/4-20	2
23	34-62016-00	Plate, Locking	2



2.10.3 CONDENSER, 68KR4-101 SERIES, REFRIGERATION KIT, DUAL LOOP - OPTION 3



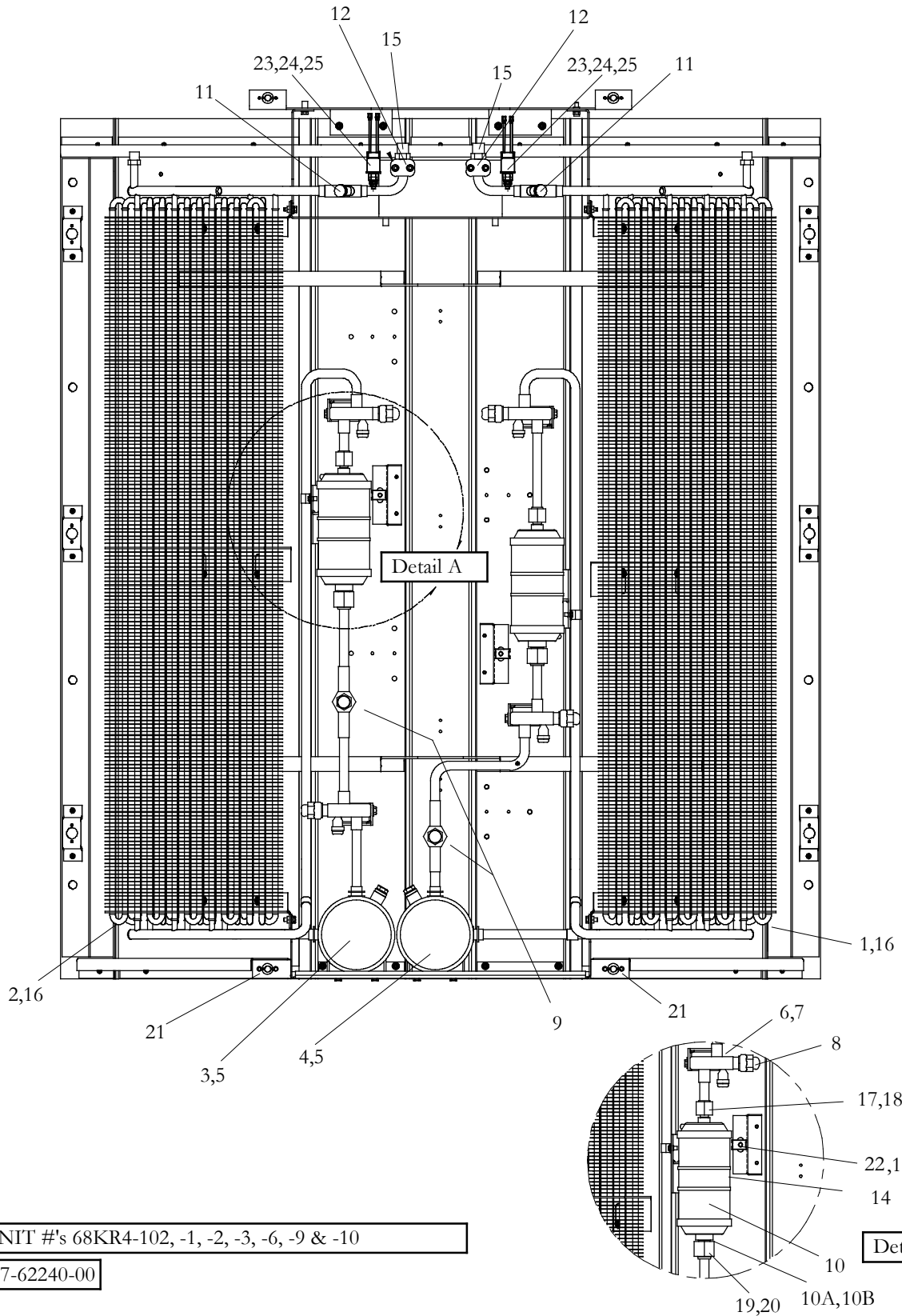
REF. KIT #77-62107-01 (LESS FILTERS & VALVES)



2.10.3 CONDENSER, 68KR4-101 SERIES, REFRIGERANT KIT DUAL LOOP - OPTION 3 - Continued:			
Item	Part Number	Description	Qty
1	08-62038-00	Coil, Condenser, Dual Loop, R.H.	1
2	08-62038-01	Coil, Condenser, Dual Loop, L.H.	1
3	65-62003-00	Receiver Assembly, Inlet Right, 5 Inch O.D.	1
4	65-62003-01	Receiver Assembly, Inlet Left, 5 Inch O.D.	1
5	14-01032-01	Plug, Fusible, 3/8 MPT	2
6	14-00029-04	Valve, Check, 5/8 ODF	2
7	44-00285-81	Clamp, Tube, Saddle, 5/8 Inch (With Cover Plate)	2
8	40-62032-01	Nut, Swivel Fitting, Male Insert O-Ring, 7/8-14 X 5/8 ODF	2
9	AC801-414	Gasket, Foam, 3/8 X 1.00 Inch X 25 Foot Roll	1
10	34-62016-00	Plate, Locking	2
11	AC701-101	Nut, Speed, "J" Type, 1/4-20	2



2.10.3 CONDENSER, 68KR4-102 SERIES, REFRIGERATION KIT, DUAL LOOP - OPTION 4



REF. UNIT #'s 68KR4-102, -1, -2, -3, -6, -9 & -10

KIT #77-62240-00

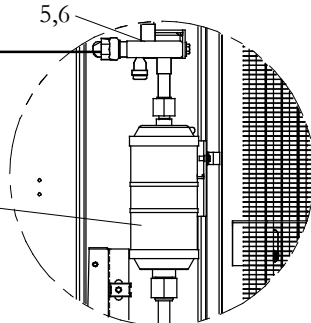
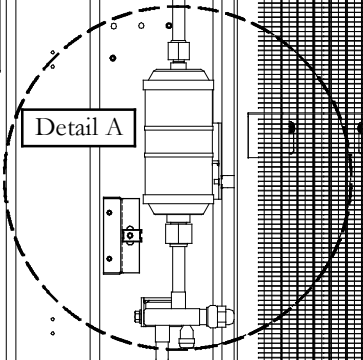
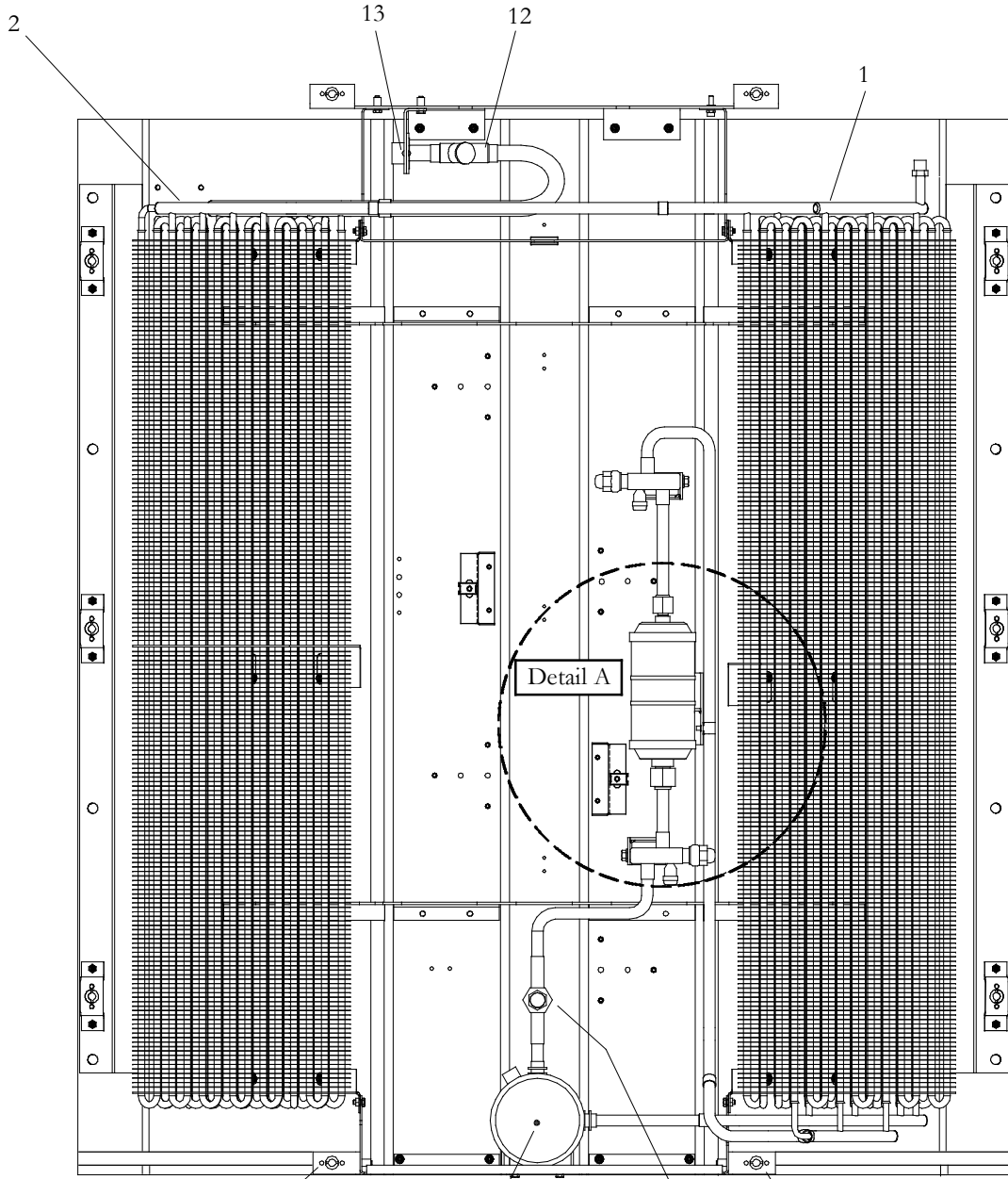
Detail A



2.10.3 CONDENSER, 68KR4-102 SERIES, REFRIGERANT KIT DUAL LOOP - OPTION 4 - Continued:			
Item	Part Number	Description	Qty
1	08-62038-00	Coil, Condenser, Dual Loop, R.H.	1
2	08-62038-01	Coil, Condenser, Dual Loop, L.H.	1
3	65-62003-00	Receiver Assembly, Inlet Right, 5 Inch O.D.	1
4	65-62003-01	Receiver Assembly, Inlet Left, 5 Inch O.D.	1
5	14-01032-01	Plug, Fusible, 3/8 MPT	2
6	40-00501-05	Valve, King, Brass, 5/8 ODF	4
7	14-00351-00	. . . Core, Schrader Valve	2
8	40-00501-50	. . . Cap, King Valve, Service Part	4
9	14-00026-04	Indicator, Liquid & Moisture, 5/8 ODF	2
10	14-00320-00	Filter Drier, 3/4 ORS Inlet X 5/8 Inch ORS Outlet - Includes:	2
10A	42-00243-11O-Ring, .739 ID X .070 Thick	1
10B	42-00243-03O-Ring, .614 ID X .070 Thick	1
11	14-00029-04	Valve, Check, 5/8 ODF	2
12	44-00285-81	Clamp, Tube, Saddle, 5/8 Inch (With Cover Plate)	2
13	-	Clamp, Tube, 0.625 Dia. Cushion	NSI
14	44-00045-20	Clamp, Hose, Worm Type (3.063 - 4.00 Inches)	4
15	40-62032-01	Nut, Swivel Fitting, Male Insert O-Ring, 7/8-14 X 5/8 ODF	2
16	AC801-414	Gasket, Foam, 3/8 X 1.00 Inch X 25 Foot Roll	1
17	34-06121-03	Nut, Hex, ORS Braze (1-14 Threads)	2
18	40-00503-03	Collar, Tube - 5/8 ORS, Brass	2
19	34-06121-04	Nut, Hex, ORS Braze (1-3/16-12 Threads)	2
20	40-00503-04	Collar, Tube - 5/8 ORS, Nickel Plated Steel	2
21	34-62016-00	Plate, Locking	2
22	AC701-101	Nut, Speed, "J" Type, 1/4-20	2
23	40-01124-00	Valve Body	2
24	14-00351-00	Core, Schrader	2
25	12-00299-23	Switch, High Pressure	2



2.10.3 CONDENSER, 68KR4-102 SERIES, REFRIGERANT KIT, SINGLE LOOP - OPTION 5



REF. UNIT #'s 68KR4-102-4 & -5

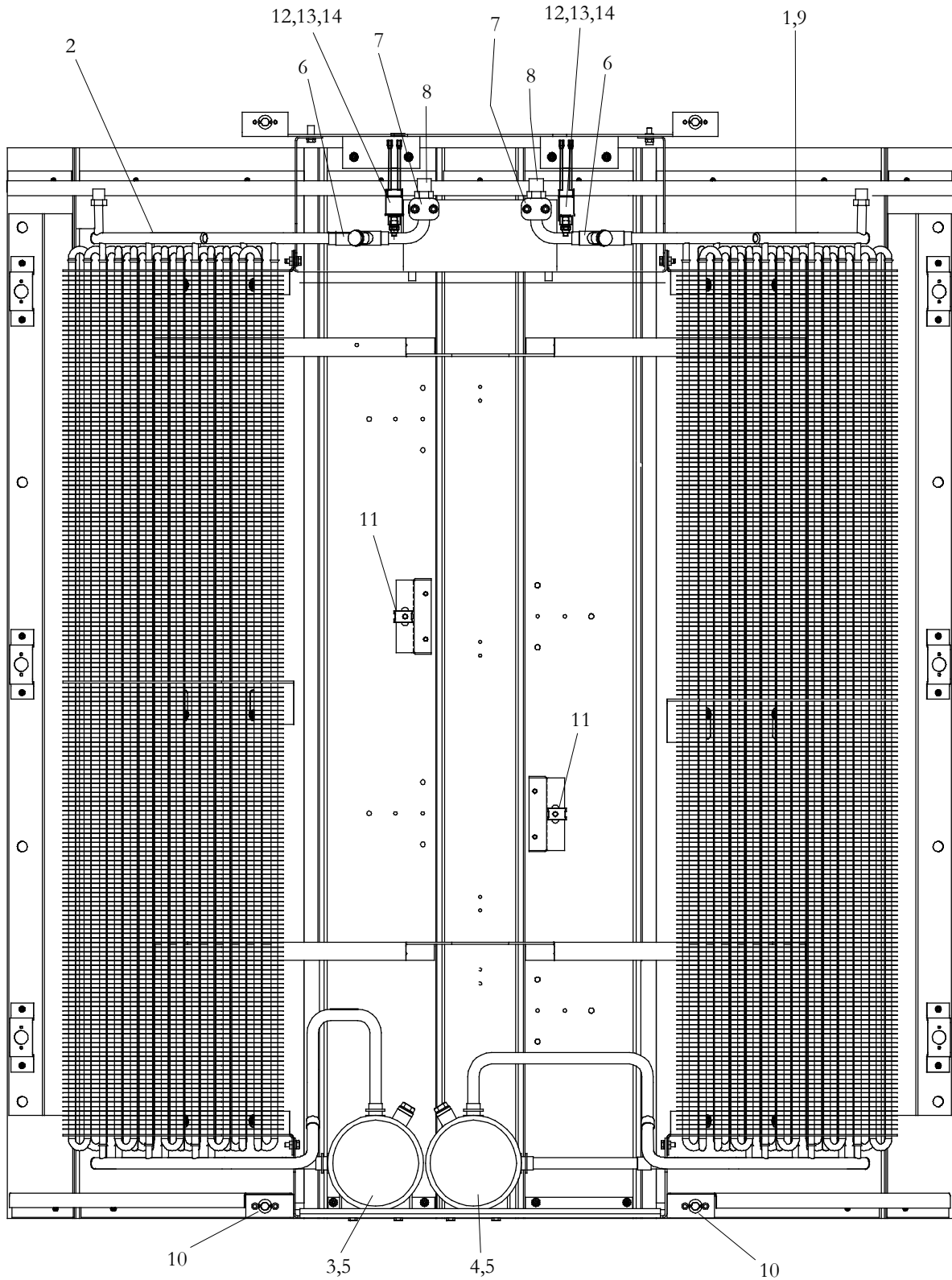
REF. KIT #77-62241-00



2.10.3 CONDENSER, 68KR4-102 SERIES, REFRIGERANT KIT, SINGLE LOOP - OPTION 5 - Continued:			
Item	Part Number	Description	Qty
1	08-62046-00	Coil Assembly, Condenser, Single Loop	1
2	08-62046-01	Coil Assembly, Condenser, Single Loop	1
3	65-62003-01	Receiver Assembly, Inlet Left, 5 Inch OD	1
4	14-01032-01	Plug, Fusible, Safety, 3/8 NPTF	1
5	40-00501-05	Valve, King, Brass, 5/8 ODF	2
6	14-00351-00	. . . Core, Schrader Valve	2
7	40-00501-50	. . . Cap, King Valve, Service Part	2
8	14-00320-00	Filter Drier, 3/4 ORS Inlet X 5/8 ORS Outlet (41 Cu. In.) - Includes:	1
9	42-00243-11	...O-Ring, .739 ID X .070 Thick	1
10	42-00243-03	...O-Ring, .614 ID X .070 Thick	1
11	14-00026-04	Indicator, Liquid & Moisture, 5/8 ODF	1
12	14-00029-09	Valve, Check, 7/8 ODF	1
13	34-06088-00	Nut, Hex, 1-7/16-12, Brass	1
14	34-62016-00	Plate, Locking	2



2.10.3 CONDENSER, 68KR4-102 SERIES, REFRIGERATION KIT, DUAL LOOP - OPTION 6



REF. KIT #77-62107-01 (LESS FILTERS & VALVES)

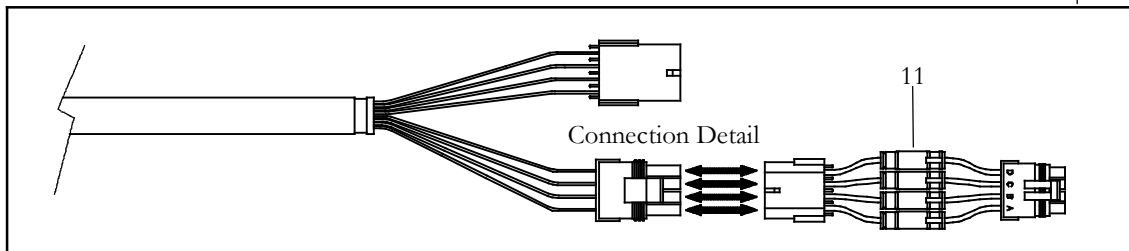
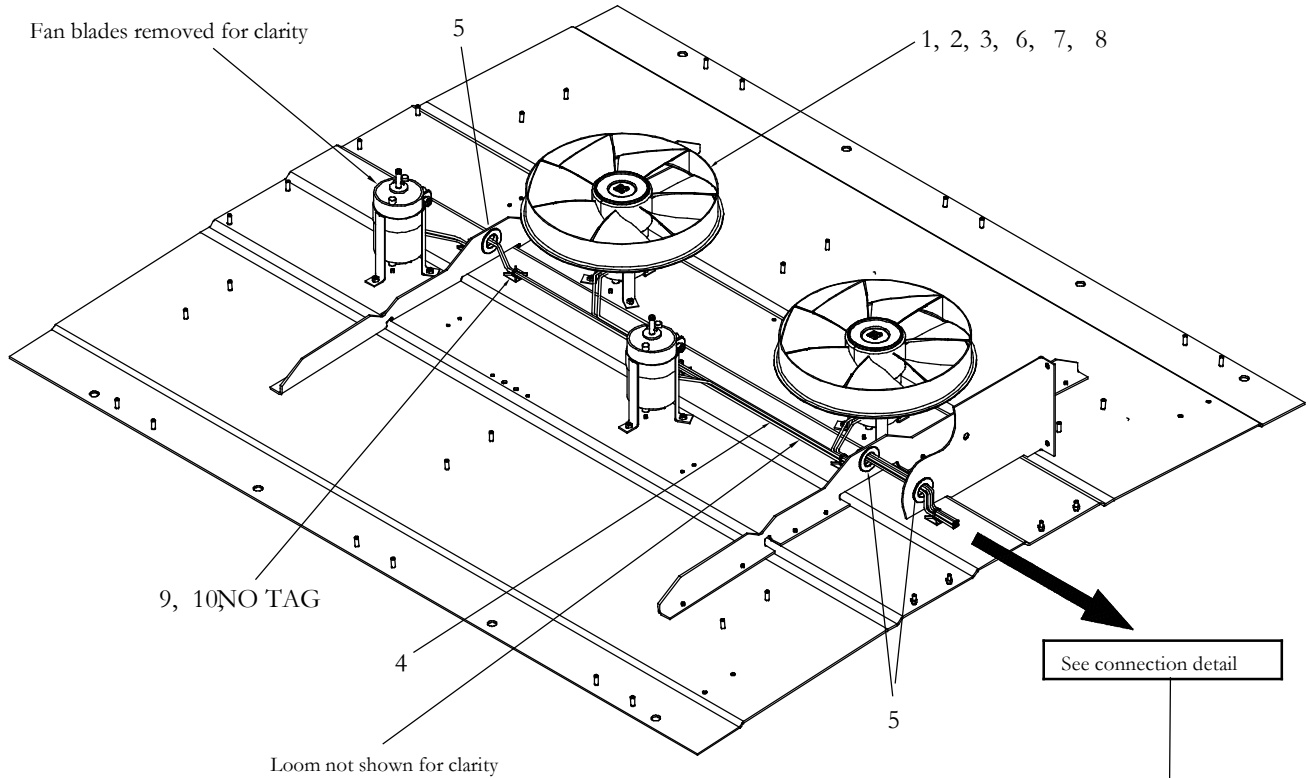


2.10.3 CONDENSER, 68KR4-102 SERIES, REFRIGERANT KIT DUAL LOOP - OPTION 6 - Continued:			
Item	Part Number	Description	Qty
1	08-62038-00	Coil, Condenser, Dual Loop, R.H.	1
2	08-62038-01	Coil, Condenser, Dual Loop, L.H.	1
3	65-62003-00	Receiver Assembly, Inlet Right, 5 Inch O.D.	1
4	65-62003-01	Receiver Assembly, Inlet Left, 5 Inch O.D.	1
5	14-01032-01	Plug, Fusible, 3/8 MPT	2
6	14-00029-04	Valve, Check, 5/8 ODF	2
7	44-00285-81	Clamp, Tube, Saddle, 5/8 Inch (With Cover Plate)	2
8	40-62032-01	Nut, Swivel Fitting, Male Insert O-Ring, 7/8-14 X 5/8 ODF	2
9	AC801-414	Gasket, Foam, 3/8 X 1.00 Inch X 25 Foot Roll	1
10	34-62016-00	Plate, Locking	2
11	AC701-101	Nut, Speed, "J" Type, 1/4-20	2
12	40-01124-00	Valve Body	2
13	14-00351-00	Core, Schrader	2
14	12-00299-23	Pressure Switch, High	2



NOTE: Complete Wire Harnesses are Non-Stock Items. Replacement Components are Listed and can be cross referenced to supplier part number in manual T-375PL.

2.10.4 CONDENSER, 68KR4-101 SERIES, ELECTRICAL KIT - OPTION 1, 2, 3 & 4



KIT #77-62109-00 (24VDC)
KIT #77-62109-01 (12VDC)

KIT #77-62109-02 (24VDC W/FUSE)
KIT #77-62109-03 (12VDC W/FUSE)

Item	Part Number	Description	Qty
OPTION 1			
1	54-00583-00	Motor, 24 VDC	4
OPTION 2			
1	54-00583-01	Motor, 12 VDC	4
OPTION 3			
1	54-00583-00	Motor, 24 VDC	4
11	22-62243-01	Fuse Assembly, 10 Amp, 24VDC	1

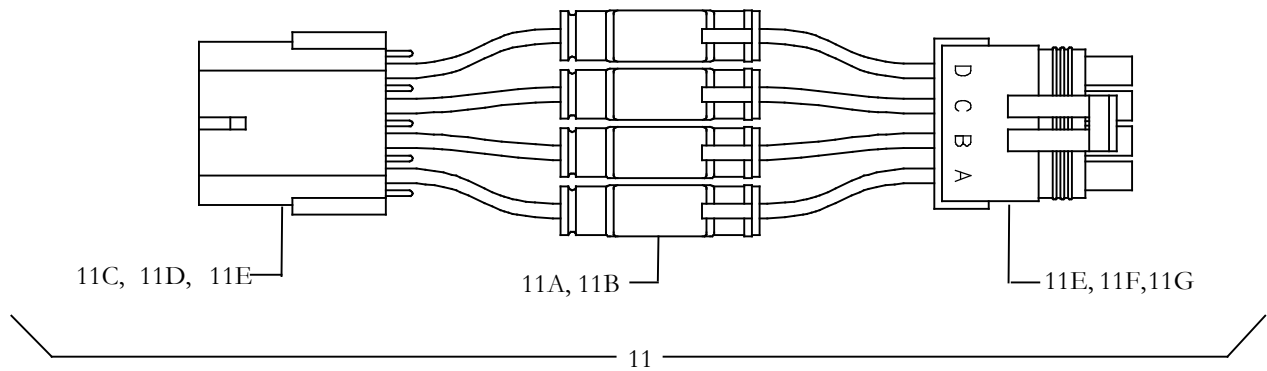


NOTE: Complete Wire Harnesses are Non-Stock Items. Replacement Components are Listed and can be cross referenced to supplier part number in manual T-375PL.

OPTION 4			
1	54-00583-01	Motor, 12 VDC	4
11	22-62243-00	Fuse Assembly, 15 Amp, 12VDC	1

2.10.4 COMMON PARTS, 68KR4-101 SERIES, ELECTRICAL KIT - OPTION 1 THRU 4 - Continued:

Item	Part Number	Description	Qty
2	38-00566-00	Fan, Condenser	4
3	34-62017-00	Clip, Retaining, Condenser Fan	4
4	22-62153-00	Wire Harness, KR4, DC Motors	NSI
5	58-00065-51	Grommet, 7/8 I.D.	3
6	22-01585-00	Connector, Male, 2 Pin Weatherpack	4
7	22-02393-01	Terminal, Male, 18-20 AWG	8
8	22-02394-01	Seal, Cable	8
9	66U1-3882	Wire Tie, Self-Locking, 7 Inches, Black	5
10	58-00079-02	Sta-Strap, 0-1.75 Inch Diameter Cable	5

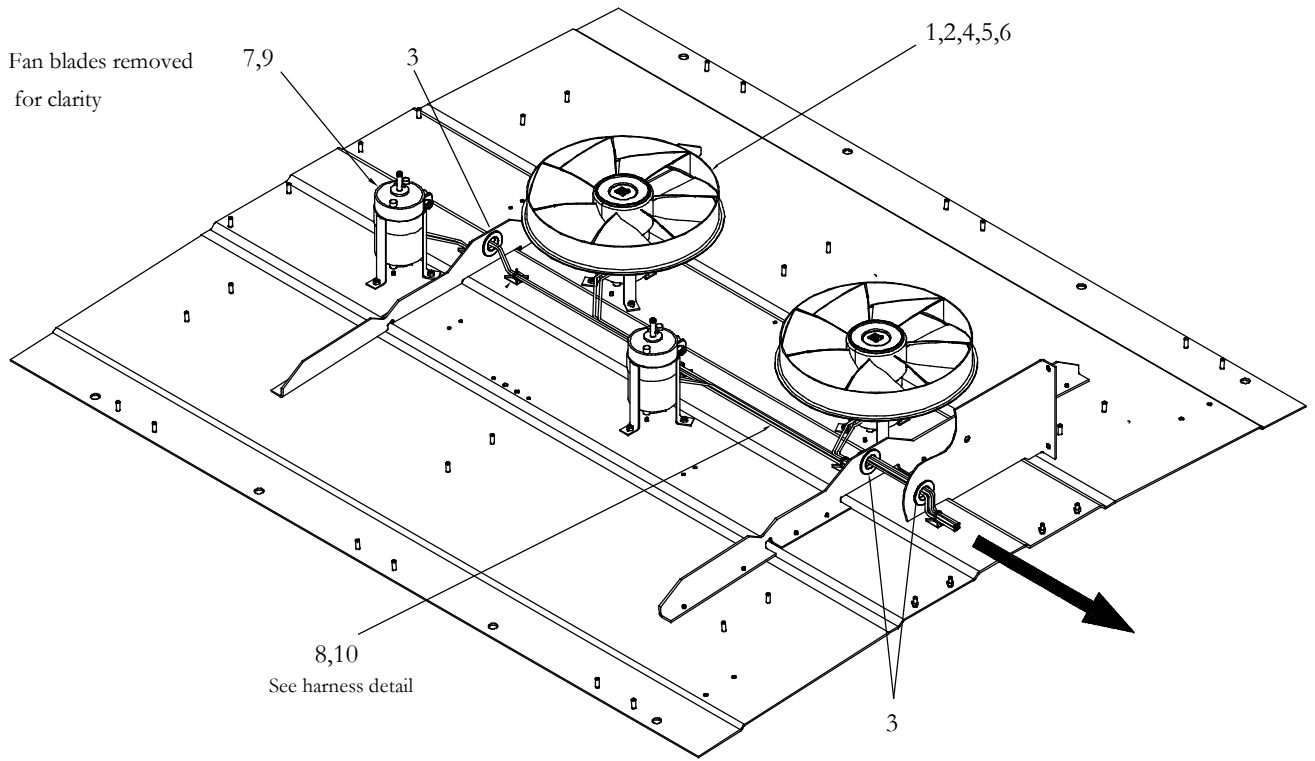


Item	Part Number	Description	Qty
11	22-62243-00	Fuse Assembly, 15 Amp, 12VDC - Includes:	1
11A	22-02336-24Fuse, 15 Amps, Blue	4
11B	22-02338-03Holder, Fuse	4
11C	22-02392-03Connector, Female, , 4 Pin, Black	1
11D	22-01566-00Terminal, Female (14-16 AWG)	4
11E	22-02394-00Seal, Cable, Gray (.11-.14 Cable OD)	8
11F	22-01585-04Connector, Male, 4 Pin, Black	1
11G	22-02393-00Terminal, Male (14-16 AWG)	4
11	22-62243-01	Fuse Assembly, 10 Amp, 24VDC - Includes:	1
11A	22-02336-23Fuse, 10 Amps, Red	4
11B	22-02338-03Holder, Fuse	4
11C	22-02392-03Connector, Female, , 4 Pin, Black	1
11D	22-01566-00Terminal, Female (14-16 AWG)	4
11E	22-02394-00Seal, Cable, Gray (.11-.14 Cable OD)	8
11F	22-01585-04Connector, Male, 4 Pin, Black	1
11G	22-02393-00Terminal, Male (14-16 AWG)	4



NOTE: Complete Wire Harnesses are Non-Stock Items. Replacement Components are Listed and can be cross referenced to supplier part number in manual T-375PL.

2.10.4 CONDENSER, 68KR4-102 SERIES, ELECTRICAL KIT - OPTIONS 5 & 6



OPTION 5: KIT #77-62109-02 (24VDC) Used On Models 68KR4-102, -1, -4 & -5

OPTION 6: KIT #77-62109-03 (12VDC) Used On Models 68KR4-102-2, -3, -6, -8, -9 & -10

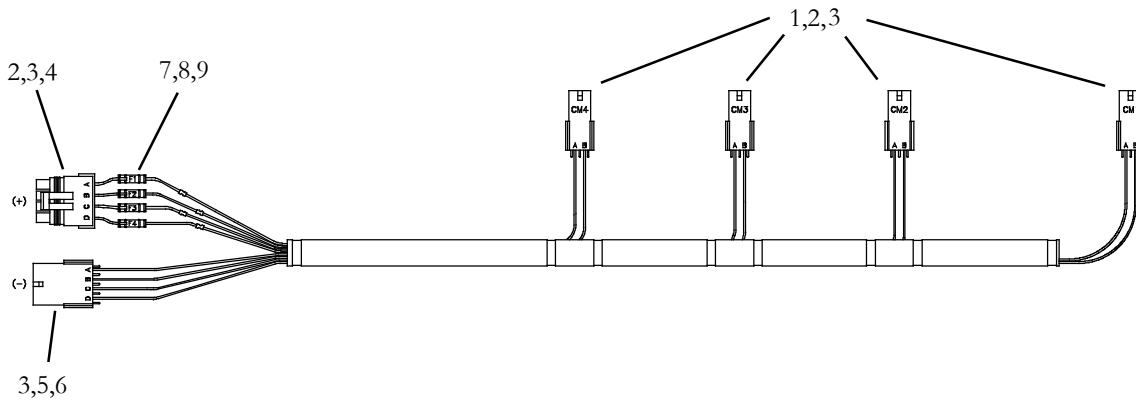
2.10.4 COMMON PARTS, 68KR4-102 SERIES, ELECTRICAL KIT

Item	Part Number	Description	Qty
1	38-00566-00	Fan, Condenser	4
2	34-62017-00	Clip, Retaining, Condenser Fan	4
3	58-00065-51	Grommet, 7/8 I.D.	3
4	22-01585-00	Connector, Male, 2 Pin Weatherpack	4
5	22-02393-01	Terminal, Male, 18-20 AWG	8
6	22-02394-01	Seal, Cable	8
OPTION 5			
7	54-00583-00	Motor, 24 VDC	4
8	22-62351-01	Wire Harness, 24 VDC Motors	NSI
OPTION 6			
9	54-00583-01	Motor, 12 VDC	4
10	22-62351-00	Wire Harness, 12 VDC Motors	NSI



NOTE: Complete Wire Harnesses are Non-Stock Items. Replacement Components are Listed and can be cross referenced to supplier part number in manual T-375PL.

2.10.4 CONDENSER, 68KR4-102 SERIES HARNESS DETAIL, OPTIONS 5 & 6



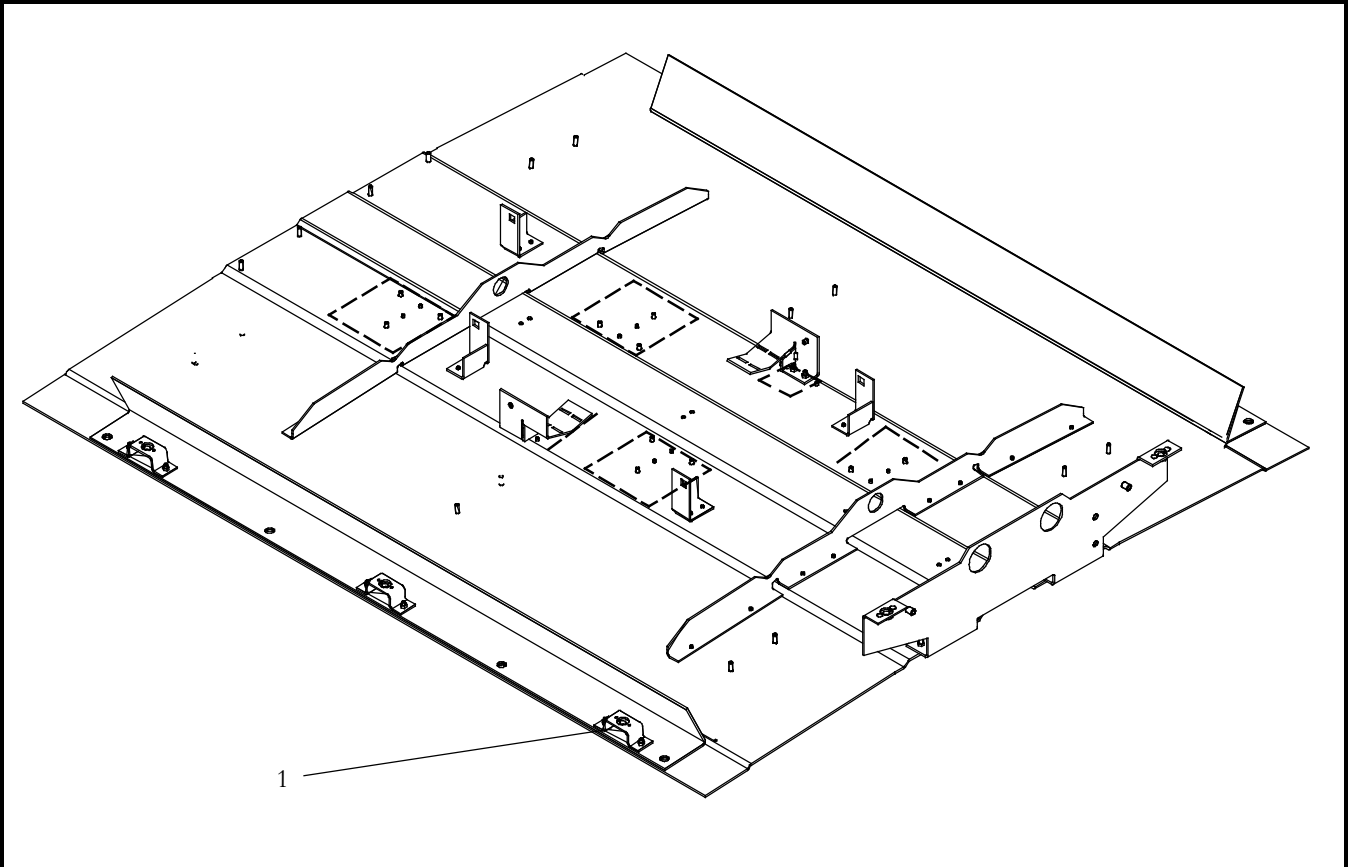
Harness: Option 5 (24VDC) Used On Models 68KR4-102, -1, -4 & -5

Harness: Option 6 (12VDC) Used On Models 68KR4-102-2, -3, -6, -8, -9 & -10

Item	Part Number	Description	Qty
1	22-02392-00	Connector, Female, Weatherpac (2 position)	4
2	22-01566-00	Terminal, Female (14-16 AWG)	12
3	22-02394-00	Seal, Cable (Gray)	16
4	22-01585-04	Connector, Weatherpac (4 position)	1
5	22-02393-00	Terminal, Male (14-16 AWG)	4
6	22-02392-03	Connector, Weatherpac (4 position)	1
7	22-02338-03	Holder, Fuse	4
8	22-02336-24	Fuse, 15 A (24 VDC) Option 5 Only	4
9	22-02336-25	Fuse, 20 A (12 VDC) Option 6 Only	4



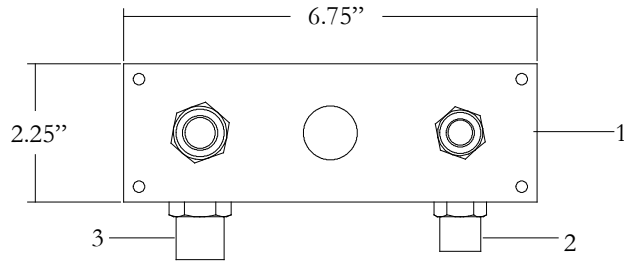
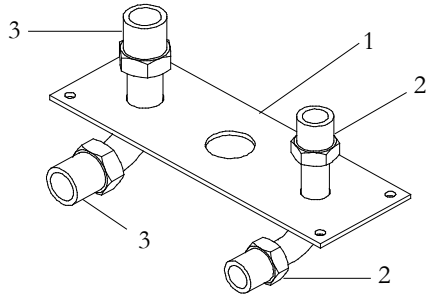
2.10.5 68KR4-101 SERIES, FRAME KIT, OPTION 1 (ALL)



Item	Part Number	Description	Qty
1	34-62016-00	Plate, Locking	8



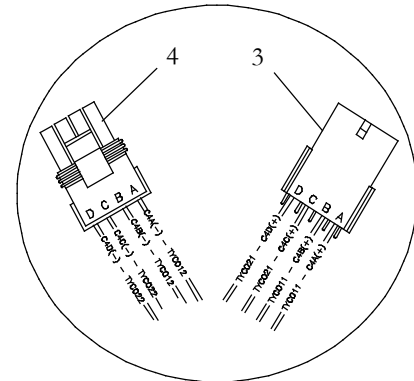
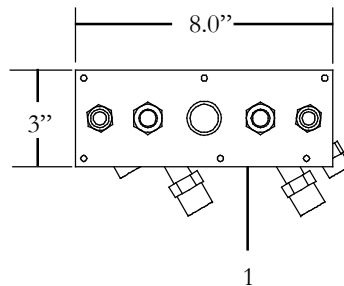
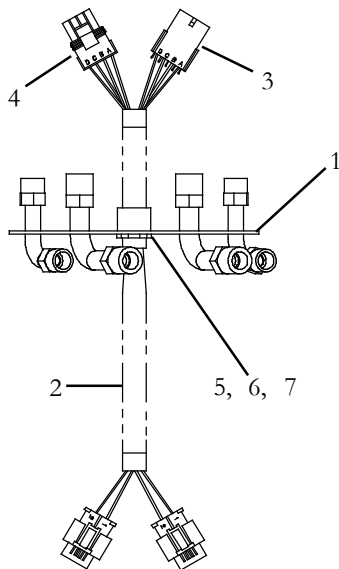
2.10.6 KR4 FEED-THROUGH PLATE ASSEMBLY



Item	Part Number	Description	Qty
1	81-62151-00	Plate Assembly (6.75 x 2.25 Inches), Includes:	1
2	40-62032-02	. . . Nut, 3/4-16 UNF x 1/2 OD	2
3	40-62032-01	. . . Nut, 7/8-14 UNF x 5/8 OD	2

NOTE: Complete Wire Harnesses are Non-Stock Items. Replacement Components are Listed and can be cross referenced to supplier part number in manual T-375PL.

2.10.7 KR4 BULKHEAD FEED-THROUGH ASSEMBLY (79-62105-00 REFERENCE ONLY)



Item	Part Number	Description	Qty
1	79-62015-00	Assembly, Feed-Through Bulkhead, KR4 (8 x 3 Inches)	NSI
2	22-62249-00	. Harness, Interface, KR4 - Includes:	NSI
2A	22-50098-71Connector, Female, 2 Pin, Black	2
2B	22-02393-00Terminal, Male (14-16 AWG)	4
2C	22-01566-00Terminal, Female (14-16 AWG)	4
2D	22-02394-00Seal, Cable, Gray (.11-.14 Cable OD)	8
3	22-02392-03	Connector, Female, 4 Pin, Black	1
4	22-01585-04	Connector, Male, 4 Pin, Black	1
5	58-62172-00	Adapter, Male Terminal, 1/2. Gray	NSI
6	22-00118-02	Nut, Lock, 1/2 Inch, Conduit	NSI
7	AC801-203	O-Ring	1



SECTION 2.11 CONDENSER, 68 /3-101 SERIES

OPTION TABLE KR2

INTRODUCTION

The Mobile Climate Control model 68KR2/3 series condensers are of lightweight frame construction, designed to be installed on the vehicle roof.

CONFIGURATION IDENTIFICATION

Unit identification information is provided on a plate located inside the condenser. The plate provides the unit model number, the unit serial number and the unit parts identification number (PID). The model number identifies the overall unit configuration while the PID provides information on specific optional equipment and differences in detailed parts.

This section provides a description of and a tabular listing of unit model numbers and PID numbers to assist the reader in identifying the equipment supplied and any required service parts.

OPTION DESCRIPTION

Various options may be factory or field equipped to the base unit. These options are listed in the tables and described in the following subparagraphs.

Cover Kit

The top cover is designed to allow for different mounting arrangements on high roof radius, low roof radius and flat roof configurations.

Electrical Kit

The unit may be fitted with 12 or 24 volt fan motors, or with, or without in-line fuse assemblies.

OPTION LEGEND KR2/3

Cover Kit KR2	
1	Top Cover - KR2 Flat Roof Radius
2	Top Cover - KR2 High Roof Radius
Cover Kit KR3	
1	Top Cover - KR3 Flat Roof Radius
2	Top Cover - KR3 High Roof Radius
3	Top Cover - KR3 Intermediate Roof Radius
Electrical Kit	
1	12 VDC W/PM Motors
2	24 VDC W/PM Motors
3	12 VDC W/PM Motors & In-Line Fuses
4	24 VDC W/PM Motors & In-Line Fuses

Model 68KR2	PID Condenser KR2	Frame Kit Section 2.11.1	Cover Kit Section 2.11.4	Electrical Kit Section 2.11.5
-101	00073	1	1	1
-101-1	00075	1	1	2
-101-2	00076	1	2	1
-101-3	00077	1	2	2
-101-4	00103	1	1	1
-101-5	00104	1	1	2
-101-6	00105	1	2	1
-101-7	00106	1	2	2
-101-8	00107	1	3	1
-101-9	00108	1	3	1
-101-10	00109	1	1	1
-101-11	00110	1	1	1
-101-12	00111	1	3	1

OPTION TABLE KR3

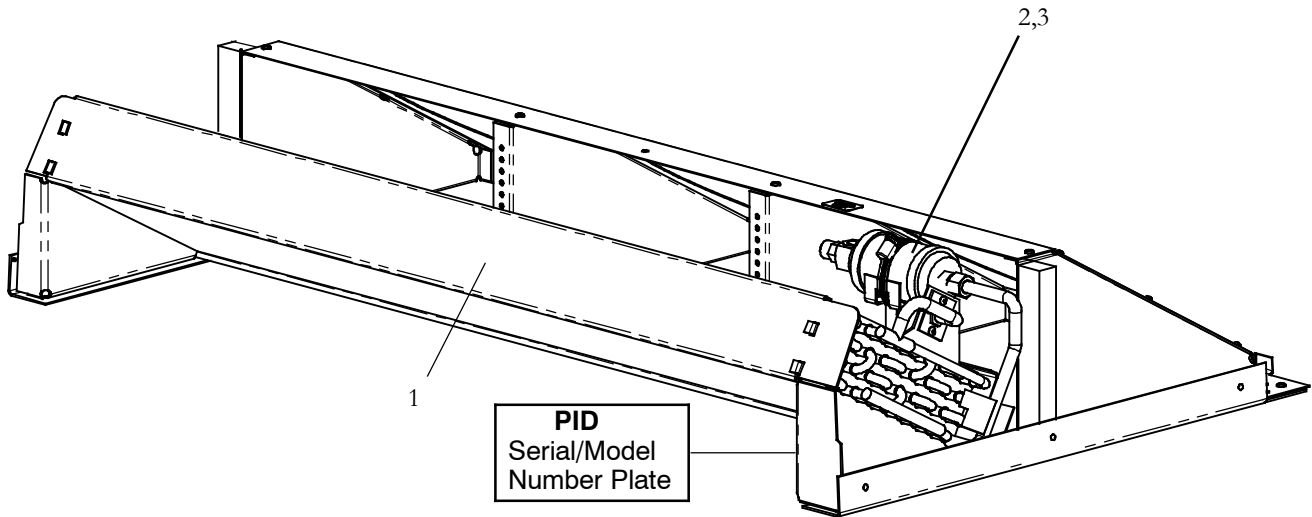
Model 68KR3	PID Condenser KR3	Frame Kit Section 2.11.1	Cover Kit Section 2.11.2	Electrical Kit Section 2.11.3
-101	00074	2	1	1
-101-1	00078	2	1	2
-101-2	00079	2	2	1
-101-3	00080	2	2	2
-101-4	00107	2	3	1
-101-5	00108	2	3	2
-101-6	00099	2	1	1
-101-7	00100	2	1	2
-101-8	00101	2	2	1
-101-9	00102	2	2	2
-101-10	00109	2	3	1
-101-11	00110	2	3	2
-101-12	00111	2	4	1
-101-13	00112	2	4	1
-101-14	00113	2	4	1
-101-15	00114	2	4	1
-101-16	00115	2	1	1
-101-17	00116	2	1	1
-101-18	00117	2	4	1



SECTION 2.11 CONDENSER, 68KR2 & 68KR3-101 SERIES

2.11.1 CONDENSER, 68KR2 & 68KR3-101 SERIES - FRAME KIT : ALL OPTIONS 1 & 2

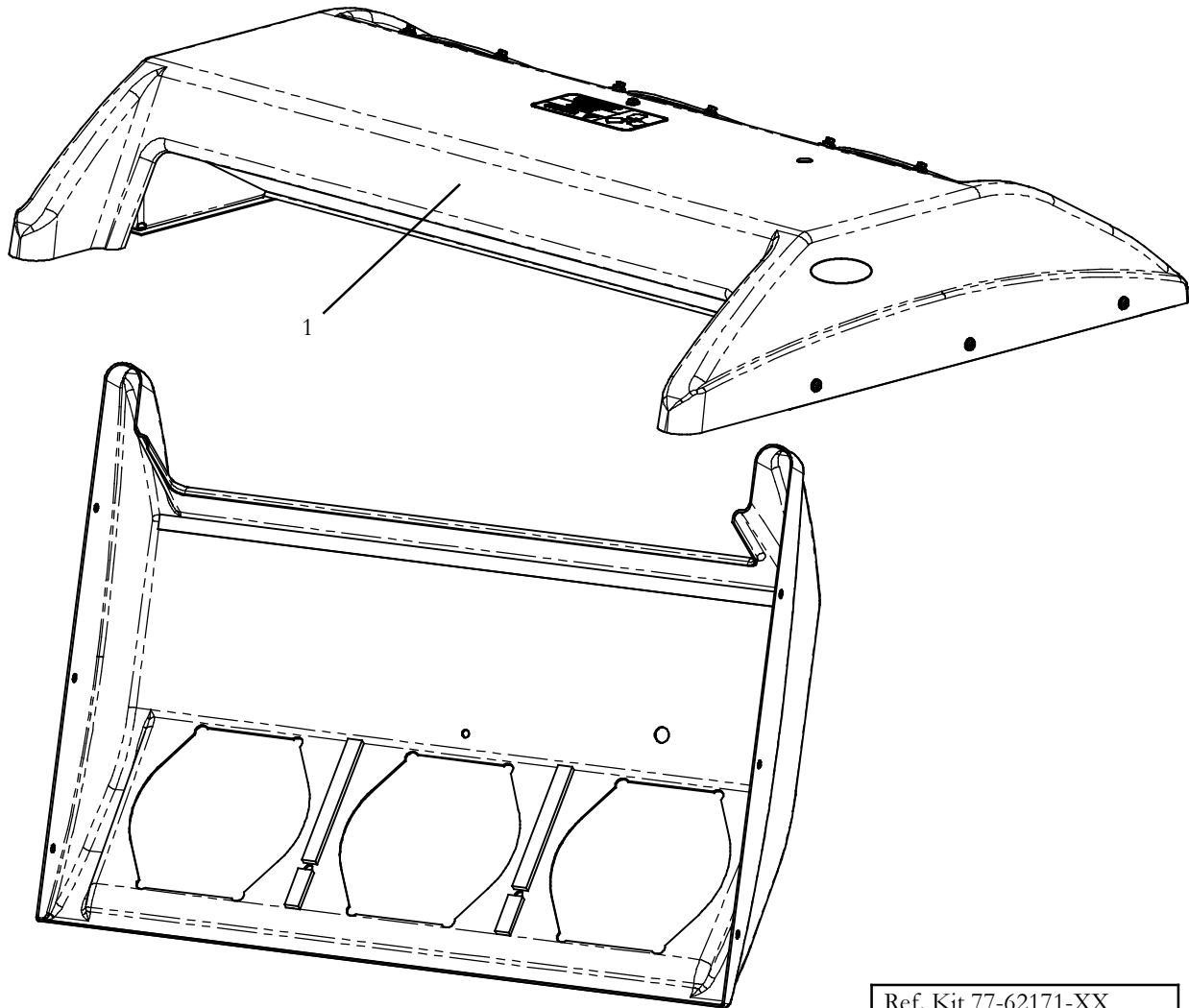
KIT #77-62170-02 & 06
KIT#77-62170-03, -04, -05



Item	Part Number	Description	Qty
1	08-62057-00	Coil Assembly, Condenser, KR2: Option 1	1
	08-62057-01	Coil Assembly, Condenser, KR3: Option 2	1
2	14-00288-00	Filter Drier, Sight Glass, 1/2 Inch M.O.R. (16 Cubic Inch)	1
3	AC801-202	O-Ring, 1/2 Inch, HNBR	1



2.11.2 CONDENSER, 68KR3-101 SERIES - COVER KIT - OPTIONS 1 thru 4

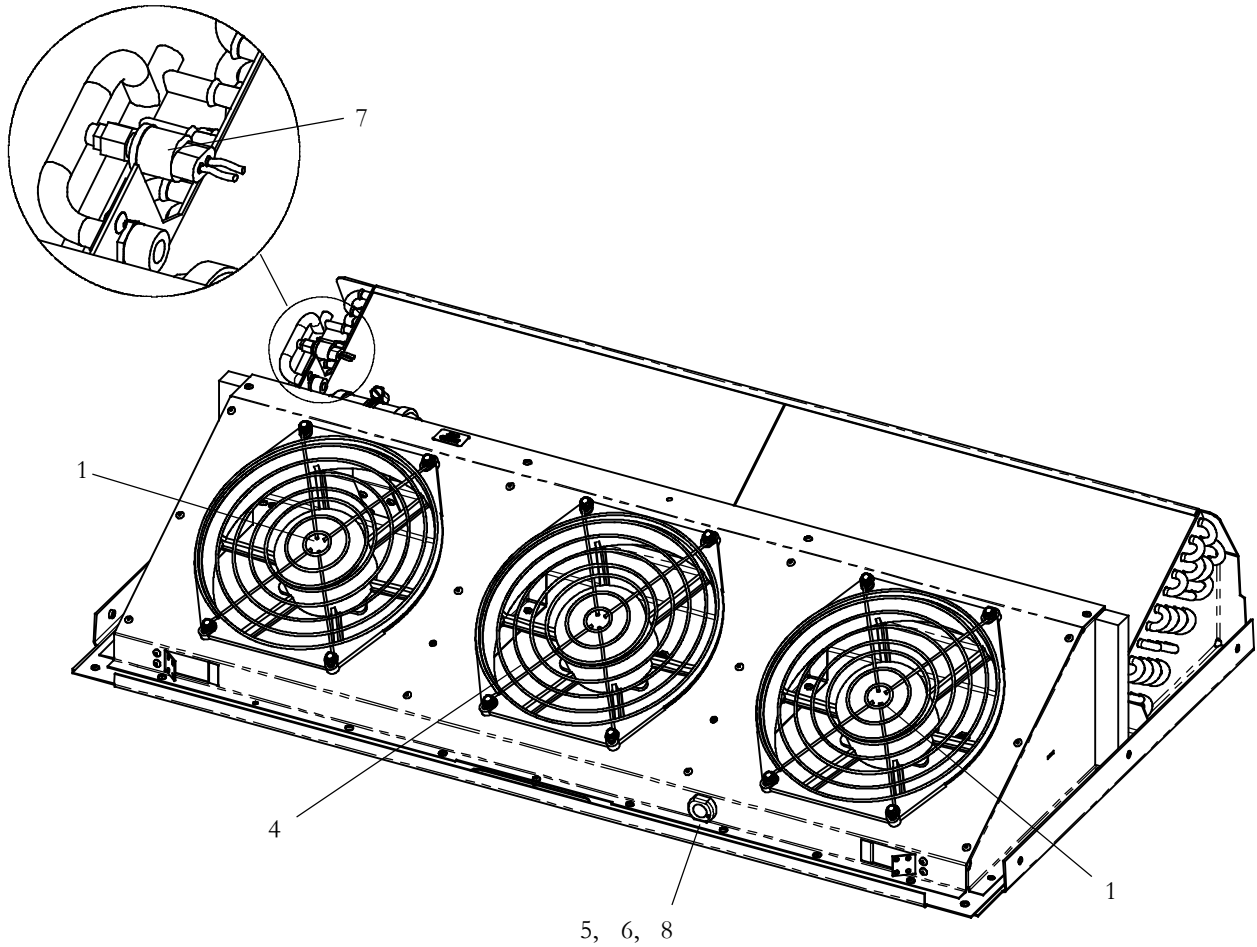


Ref. Kit 77-62171-XX

Item	Part Number	Description	Qty
1	N/A	Cover, Condenser, KR3, Flat (OPTION 1)	-
	77-62171-03	Cover, Condenser, KR3, 196.85 Radius (OPTION 2)	1
	N/A	Cover, Condenser, KR3, 275.59 Radius (OPTION 3)	-
	N/A	Cover, Condenser, KR3, Standard (Flat) Radius (OPTION 4)	-



2.11.3 CONDENSER, 68KR3-101 SERIES - ELECTRICAL KITS - (77-62172-01, -03, -05, -07)

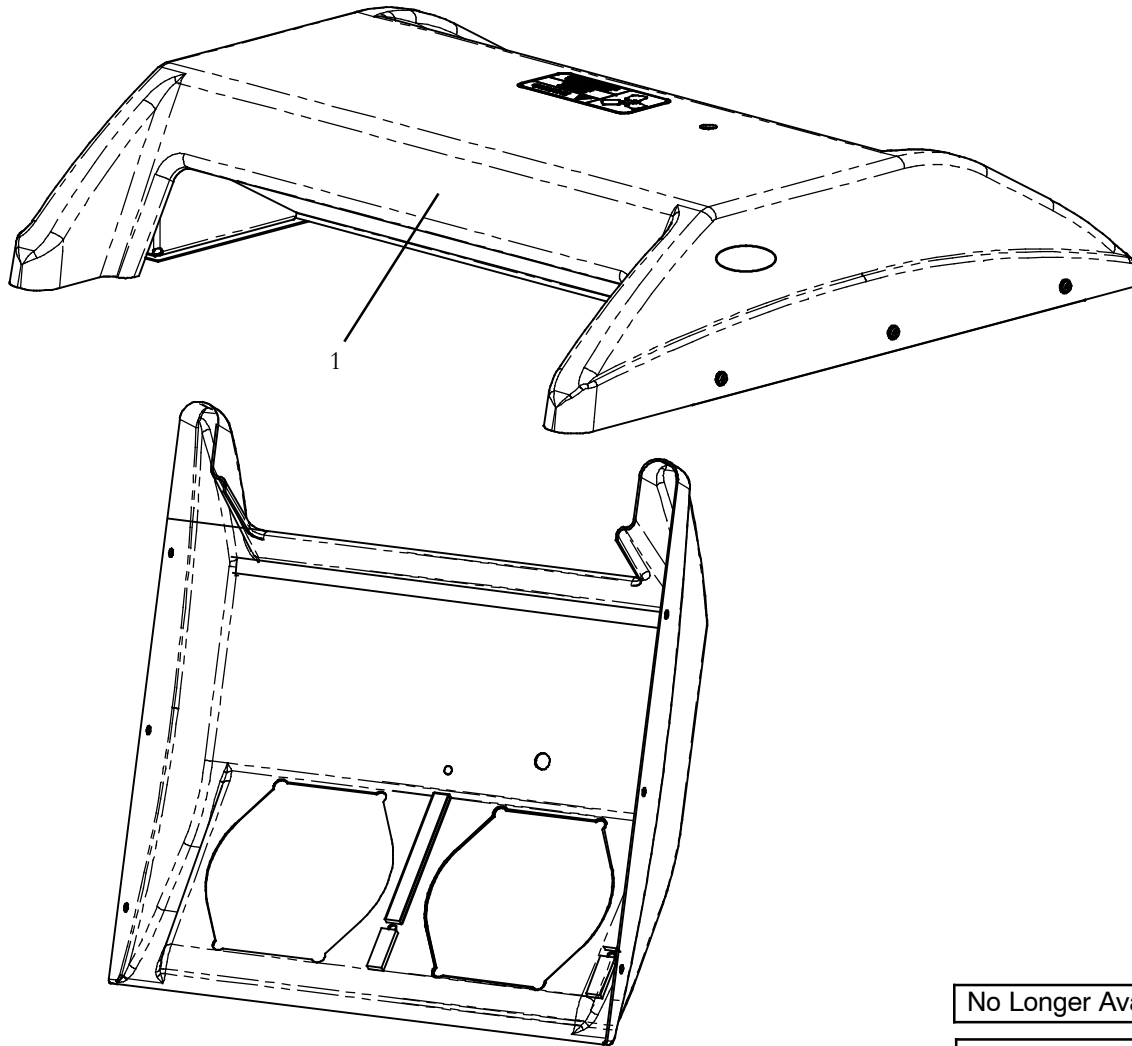


Ref. Kit 77-62172-XX

Item	Part Number	Description	Qty
1	54-00618-01	Fan & Motor Assembly, 12 VDC (OPTION 1)	3
	54-00618-02	Fan & Motor Assembly, 24 VDC (OPTION 2)	3
2	22-02336-25Fuse, 20 Amp (Used in 12 VDC application) (OPTION 1)	3
3	22-02336-26Fuse, 25 Amp (Used in 24 VDC application), (OPTION 2)	3
4	AC030-234	Guard, Fan, Condenser	3
5	22-62236-00	Harness Assembly, (ALL)	NSI
6	66U1-3882	Wire Tie, Self-Locking, 7 Inch, Black	9
7	AC201-414	Switch, Pressure, 1/4 Inch Female Flare (400-300 PSIG)	1
8	58-62019-00	Bushing, Harness, Strain Relief	1



2.11.4 CONDENSER, 68KR2-101 SERIES - COVER KIT - 77-62171-00, -02 & -05



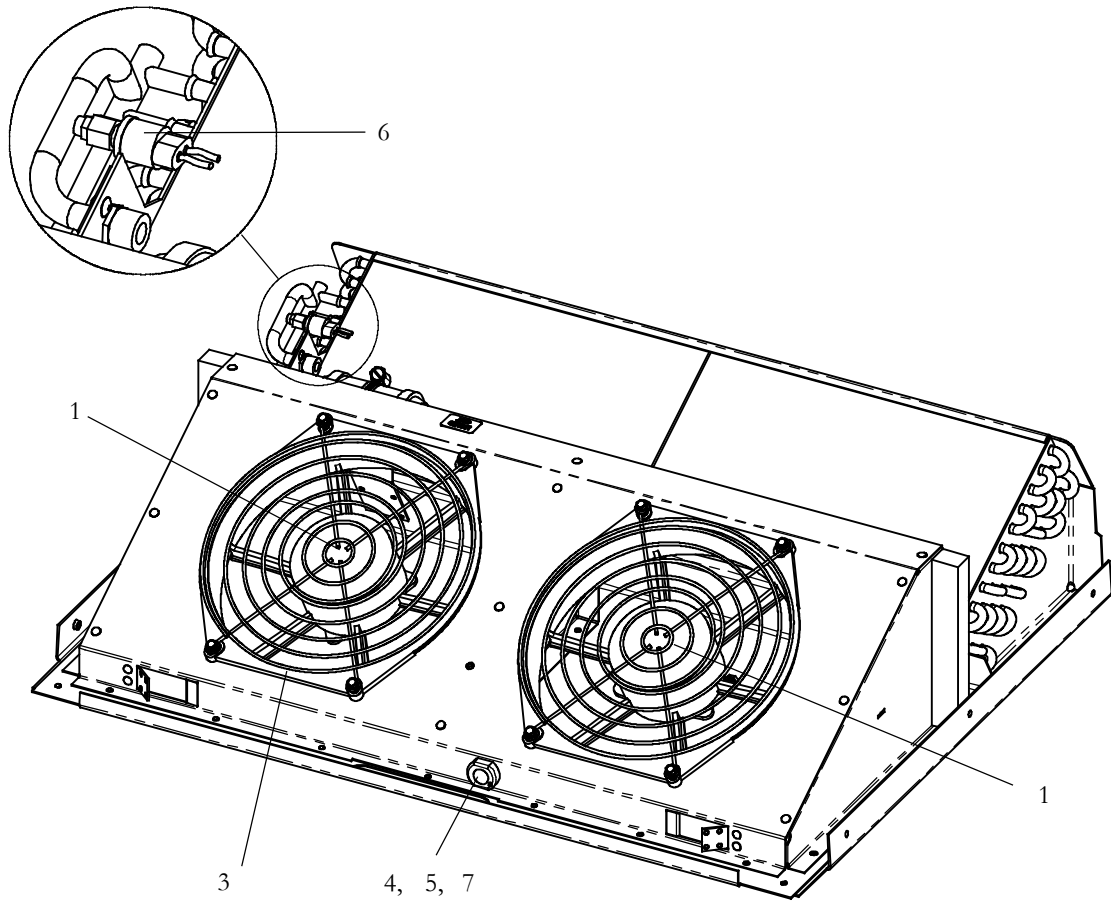
No Longer Available

Ref. Kit 77-62171-XX

Item	Part Number	Description	Qty
1	N/A	Cover, KR2, Flat (OPTION 1)	-
	N/A	Cover, KR2, Radius (OPTION 2)	-
	N/A	Cover, KR2, Standard (Flat) Radius (OPTION 3)	-



2.11.5 CONDENSER, 68KR2-101 SERIES - ELECTRICAL KIT - 77-62172-00, -02, -04 & -06



Ref. Kit 77-62172-XX

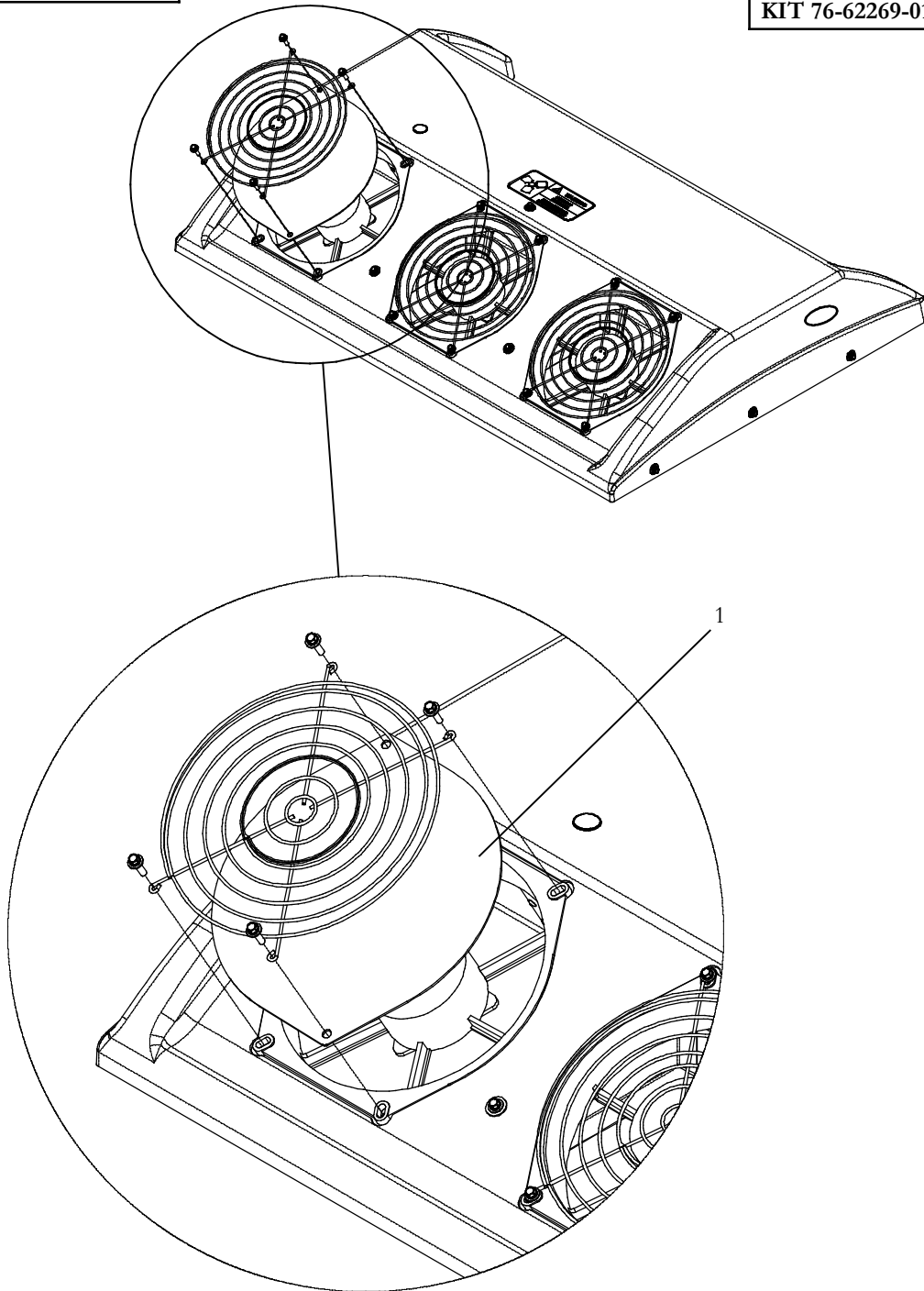
Item	Part Number	Description	Qty
1	54-00618-01	Fan & Motor Assembly, Vector, 12V, With Fuse (OPTION 1)	2
	54-00618-02	Fan & Motor Assembly, 24 VDC, With Fuse, (OPTION 2)	2
2	22-02336-25Fuse, 20 Amp (Used in 12 VDC application) (OPTION 1)	2
	22-02336-26Fuse, 25 Amp (Used in 24 VDC application), (OPTION 2)	2
3	AC030-234	Guard, Fan, Condenser	2
4	22-62235-00	Harness Assembly (ALL)	NSI
5	66U1-3882	Wire Tie, Self-Locking, 7 Inch, Black	6
6	AC201-414	Switch, Pressure, 1/4 Inch Female Flare, (400-300 PSIG)	1
7	58-62019-00	Bushing, Harness, Strain Relief	1



2.11.6 Figure 3-1 WINTERGUARD KITS - KR2/3 - (76-62269-00 & -01)

INSTALLATION DRAWING

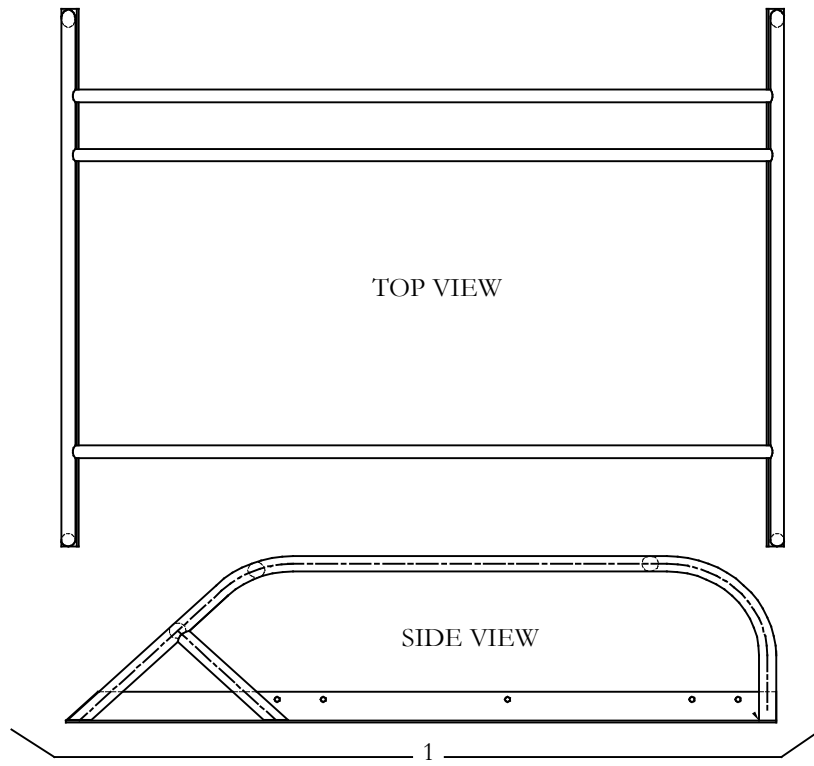
KIT 76-62269-00 KR2
KIT 76-62269-01 KR3



Item	Part Number	Description	Qty
1	AC033-145	Winterguard Cover, KR2/KR3	2 / 3



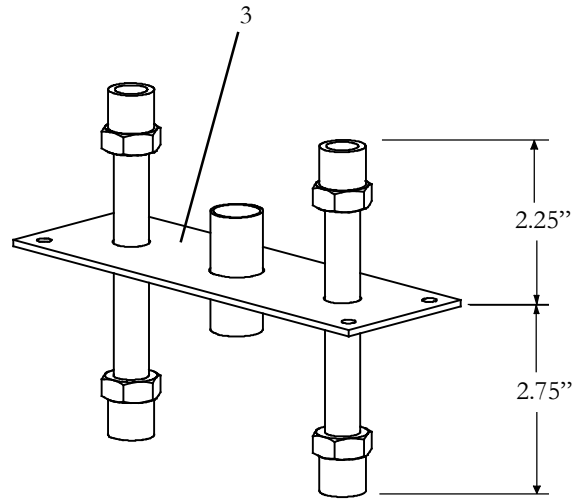
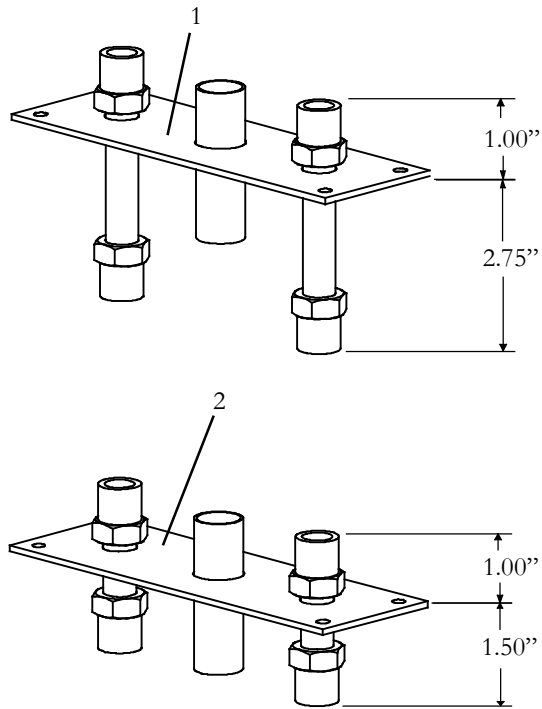
2.11.7 Figure 3-2 BRUSH GUARD, CONDENSER, KR2/3 AND CM-7/11



Item	Part Number	Description	Qty
1	86-62150-00	Brush Guard, KR3 & CM-7 (49.68 Inch Wide)	1
	86-62150-01	Brush Guard, KR2 & CM-11 (37.43 Inch Wide)	1



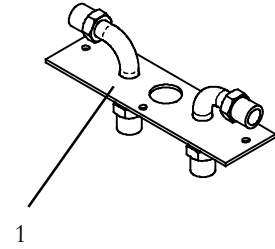
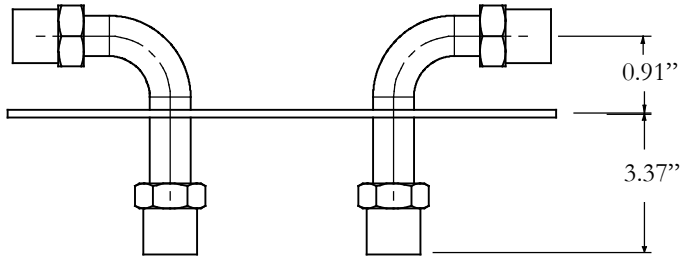
2.11.8 FEED-THROUGH PLATE ASSEMBLIES - ROOFTOPS - (81-62138)



Item	Part Number	Description	Qty
1	81-62138-00	Plate Assembly, Feed Through (6.75" x 2.25")	1
2	81-62138-01	Plate Assembly, Feed Through (6.75" x 2.25")	1
3	81-62138-02	Plate Assembly, Feed Through (6.75" x 2.25")	1

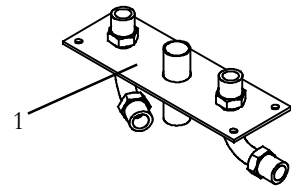
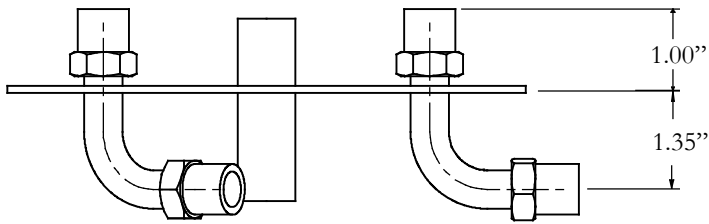


2.11.9 FEED-THROUGH PLATE ASSEMBLIES - ROOFTOPS - (81-62145)



Item	Part Number	Description	Qty
1	81-62145-01	KR2/3 Feed Thru Plate Assembly (6.75" x 1.88")	2

2.11.10 FEED-THROUGH PLATE ASSEMBLIES - ROOFTOPS - (81-62156)



Item	Part Number	Description	Qty
1	81-62156-00	Plate, Feed Thru (6.75" x 2.25")	1



SECTION 3 - FITTINGS & HOSE

SECTION 3.1 FITTINGS

PLEASE REFERENCE MANUAL T-352PL FOR A MORE COMPLETE SELECTION OF FITTINGS AND HOSE OFFERED THROUGH MOBILE CLIMATE CONTROL.

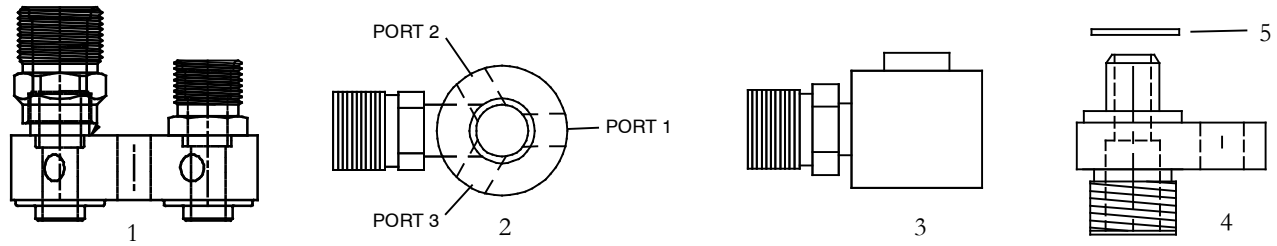
Cross Reference Part Numbers are Provided to Upgrade Quick-CLICK Hose and Fittings to FlexCLIK

[22MM], 35Bar, SAE J2064 Type E	Mobile Climate Control	<i>FlexCLIK</i> [®] xxxxxxxx #16 [22MM], 35Bar, SAE
[16MM], 35Bar, SAE J2064 Type E	Mobile Climate Control	<i>FlexCLIK</i> [®] xxxxxxxx #12 [16MM], 35Bar, SAE
[13MM], 35Bar, SAE J2064 Type E	Mobile Climate Control	<i>FlexCLIK</i> [®] xxxxxxxx #10 [13MM], 35Bar, SAE
[10MM], 35Bar, SAE J2064 Type E	Mobile Climate Control	<i>FlexCLIK</i> [®] xxxxxxxx #8 [10MM], 35Bar, SAE
Mobile Climate Control		<i>FlexCLIK</i> [®] 58-62192-00 #6 [8MM], 35 Bar, SAE J2064 Type E

SERVICE PARTS LIST AND ASSEMBLY INSTRUCTIONS for "FlexCLIK" Hose & Fittings



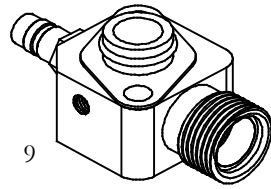
3.1.1 FITTING, A-6 COMPRESSOR, (GM STYLE)



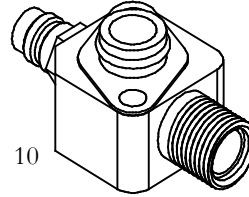
Item	Part Number	Description
1	40-62057-03	Fitting, Block, GM Style, #10 M.I.O X #10 M.I.O. X #12 M.I.O.(Tapped Ports/Steel)
2	40-62033-03	Fitting, Block, GM Style, #8 M.I.O. With Ports #1 & #2, (Steel)
	40-62033-04	Fitting, Block, GM Style, #10 M.I.O. With Ports #1 & #3, (Steel)
	40-62033-05	Fitting, Block, GM Style, #12 M.I.O. With Ports #1 & #3, (Steel)
3	40-62008-03	Fitting, Block, GM Style, #8 M.I.O., (Steel)
	40-62008-04	Fitting, Block, GM Style, #10 M.I.O., (Steel)
	40-62008-05	Fitting, Block, GM Style, #12 M.I.O., (Steel)
4	40-62119-00	Fitting, Block, GM Style, Liquid, #6 M.I.O.
5	58-62121-00	Seal, 2003 GM Fitting Block, .44 I.D.
6	40-62120-00	Fitting, Block, GM Style, Discharge, #10 M.I.O.
7	40-62078-00	Fitting, Block, GM Style, Suction, #10 M.I.O.
8	40-62079-00	Fitting, Block, GM Style, Liquid, #6 M.I.O.



3.1.2 FITTINGS - TM-31



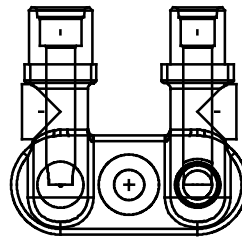
9



10

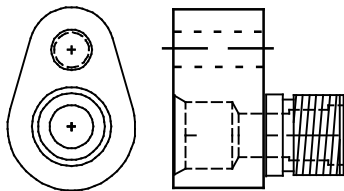
9	40-62068-00	Fitting, Manifold, Compressor, Suction, (TM-31)
10	40-62068-01	Fitting, Manifold, Compressor, Discharge, (TM-31)

3.1.3 FITTINGS - MISCELLANEOUS

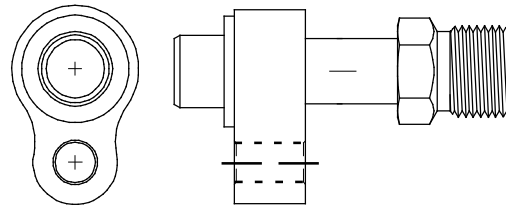


11

11	40-62113-00	Fitting, Manifold, 3/4 X 7/8 Female "O" Ring (VOR UP)
12	40-62113-01	Fitting, Manifold, 3/4 X 7/8 Female "O" Ring (VOR DOWN)

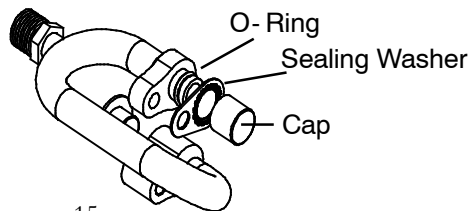


13

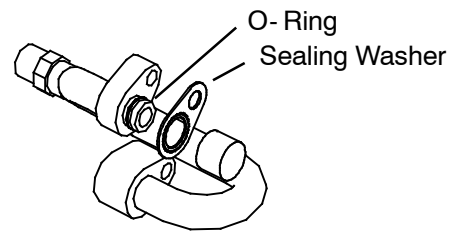


14

13	40-62090-00	Fitting, Block, 07 Ford Discharge x #8 MIO
14	40-62092-00	Fitting, Block, Peanut Block To #10 MIO



15

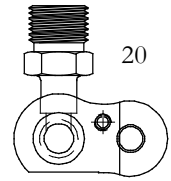
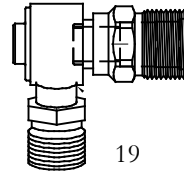
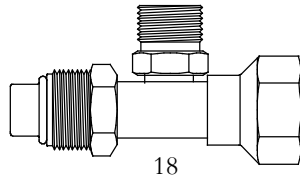
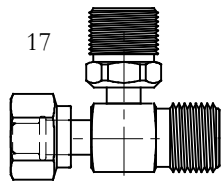


16

15	40-62091-00	Fitting, Block, 07 Ford Suction x #10 MIO
16	40-62126-00	Fitting, Block, 09 Ford Suction x #10 MIO

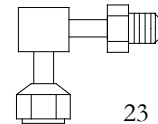
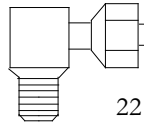
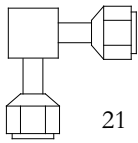


3.1.4 FITTINGS, TEE



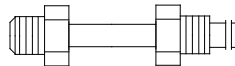
Item	Part Number	Description
17	40-62019-01	Fitting, Tee, #8 F.O-Ring X #8 M.I.O-Ring X #8 M.I.O-Ring
	40-62019-02	Fitting, Tee, #12 F.O-Ring X #12 M.I.O-Ring X #12 M.I.O-Ring
	40-62019-03	Fitting, Tee, #12 F.O-Ring X #12 M.I.O-Ring X #10 M.I.O-Ring
18	40-62043-00	Fitting, Tee, #12 M.O-Ring (Swivel Nut) X #12 F.I.O-Ring X #10 F.I.O-Ring
19	40-62058-00	Block, Fitting, #10 M.I.O-Ring X #10 M.I.O-Ring X #12 M.I.O-Ring
20	40-62070-00	Block, Fitting, (Liquid) #6 M.I.O-Ring, (For 2003 Sprinter)
	40-62071-00	Block, Fitting, (Suction) #10 M.I.O-Ring, (For 2003 Sprinter)

3.1.5 FITTING, SWIVEL UNIONS



Item	Part Number	Description
21	AC301-441	Fitting, 90°, 1/2 Inch Female Flare X 1/2 inch Female Flare
22	AC302-450	Fitting, 90°, 5/8 Inch Male Flare X 1/2 inch Female O-Ring
23	AC301-452	Fitting, 90°, 1/2 Inch Female Flare X 1/2 inch Male Flare
	AC301-453	Fitting, 90°, 5/8 Inch Female Flare X 5/8 inch Male Flare

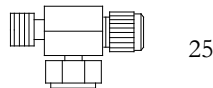
3.1.6 FITTING, FLARE TO O-RING



24

Item	Part Number	Description
24	AC301-459	Fitting, Straight, 3/8 Inch Male O-Ring X 3/8 inch Male Flare

3.1.7 FITTING, TUBE-O, R134a

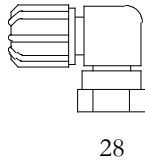
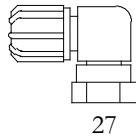
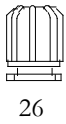


25

Item	Part Number	Description
25	AC302-453	Fitting, Tube-O X 1/2 Inch O-Ring with Access (R134a)
	AC302-454	Fitting, Tube-O X 5/8 Inch O-Ring with Access (R134a)

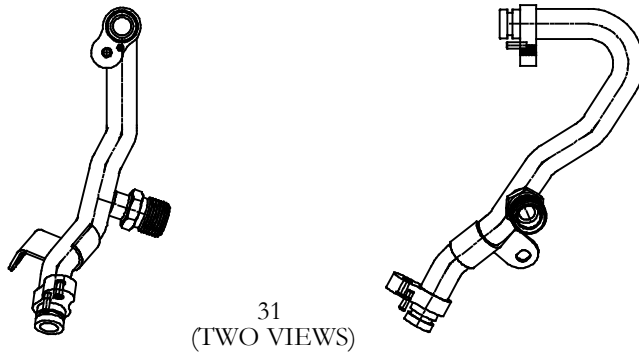


3.1.8 FITTING, ADAPTER AND CAP



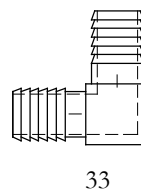
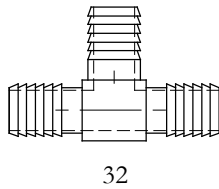
Item	Part Number	Description
26	40-60042-01	Fitting, Brass, Straight, (High-Side Tap R-12 to R-134a)
27	AC302-441	Fitting, Brass, 90°, (High-Side Tap R-12 to R-134a) (40-62116-00)
28	AC302-440	Fitting, Brass, 90°, (Low-Side Tap R-12 to R-134a) (40-62117-00)
29	40-00520-02	Fitting, Cap, Low-Side (R134a - M8 X1) Red or Black
30	40-00520-03	Fitting, Cap, High-Side (R134a - M10 X1) Blue or Black

3.1.9 FITTING, SUCTION (SPRINTER)



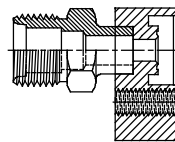
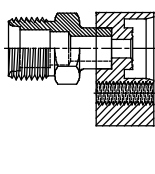
Item	Part Number	Description
31	40-62099-00	Fitting, Suction (Sprinter)

3.1.10 FITTINGS - BRONZE & BRASS - MISC.:



Item	Part Number	Description
32	40-62095-00	Fitting, Hose, Tee, Bronze, 1 Inch Heater Hose
33	40-62096-00	Fitting, Hose, Elbow, Bronze, 1 Inch Heater Hose

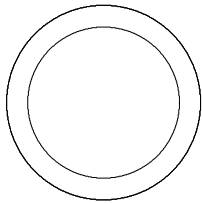
3.1.11 FITTINGS - BLOCK ASSEMBLY



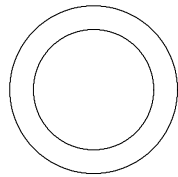
Item	Part Number	Description
34	Y27-00186-00	Fitting, 8MM MSF x #8 MIOR (Liquid @ B Pillar), 2015 Ford Transit
35	Y27-00186-01	Fitting, 5/8" MSF x #10 MIOR (Suction @ B Pillar), 2015 Ford Transit



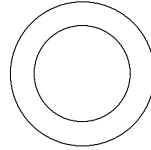
3.1.12 "O"-RINGS, HNBR



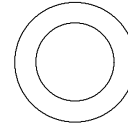
5



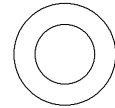
4



3



2



1

Item	Part Number	Description
1	AC801-201	O-Ring, Inch, HNBR, .301 I.D.
2	AC801-202	O-Ring, 1/2 Inch, HNBR, .426 I.D.
3	AC801-203	O-Ring, 5/8 Inch, HNBR, .551 I.D.
4	AC801-207	O-Ring, HNBR, .556 I.D.
5	AC801-217	O-Ring, HNBR, .676 I.D.
6	AC801-222	O-Ring, HNBR, Seltec/Sanden Manifold
7	42-00243-21	O-Ring, HNBR, A-6 Replacement, .796 I.D.

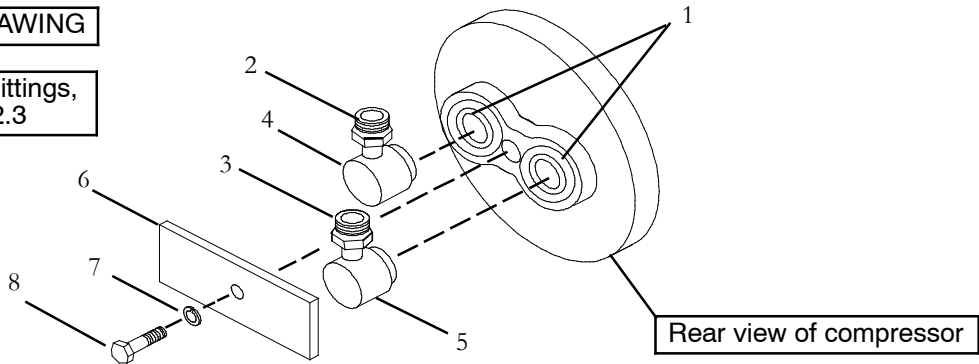


SECTION 3.2 COMPRESSOR FITTING KITS

3.2.1 INSTALLATION INSTRUCTIONS FOR COMPRESSORS WITH GM STYLE PORTS ON REAR

INSTALLATION DRAWING

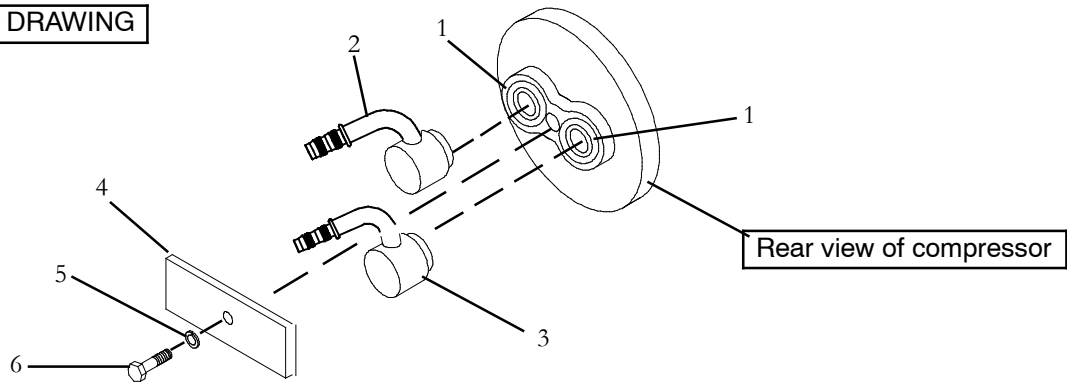
For Hose Interface Fittings, Refer To Section 3.2.3



Item	Part Number	Description
1	AC801-222	O-Ring, HNBR, Seltec/Sanden Manifold
	42-00243-21	O-Ring, HNBR, A-6 Replacement, .796 I.D.
2	AC801-202	O-Ring, 1/2 Inch, HNBR, .426 I.D.
3	AC801-203	O-Ring, 5/8 Inch, HNBR, .551 I.D.
5	40-62008-03	Fitting, Block, GM, 90 X #8 M.I.O.
	40-62008-04	Fitting, Block, GM, 90 X #10 M.I.O.
	40-62008-05	Fitting, Block, GM, 90 X #12 M.I.O.
6	68-62139-00	Plate, Fitting Lock
7	34-00945-10	Washer, Split Lock, 10MM
8	NSI	Bolt, Hex Head, 10MM-1.50P X 50MM Grade 10.9 (A-6 Only)
	NSI	Bolt, Hex Head, 10MM-1.50P X 55MM Grade 10.9 (Seltec & Sanden Only)

3.2.2 INSTALLATION INSTRUCTIONS FOR COMPRESSORS WITH GM STLE PORTS (FlexCLIK MANIFOLD FITTINGS)

INSTALLATION DRAWING



Item	Part Number	Description
1	AC801-222	O-Ring, HNBR, Seltec/Sanden Manifold
	42-00243-21	O-Ring, HNBR, A-6 Replacement, .796 I.D.
2	40-62136-51	Fitting Kit, Block, GM, 90 Degree X #12 FlexCLIK Hose
3	40-62136-50	Fitting Kit, Block, GM, 90 Degree X #10 FlexCLIK Hose
4	68-62139-00	Plate, Fitting Lock
5	34-00945-10	Washer, Split Lock, 10MM
6	NSI	Bolt, Hex Head, 10MM-1.50P X 50MM Grade 10.9



3.2.3 COMPRESSOR TO REFRIGERANT HOSE, INTERFACE FITTINGS		
1	AC301-419	Fitting, 90 Degree, 1/2 Inch Female O-Ring X #10 Beadlock Hose
2	AC302-432	Fitting, 90 Degree, 5/8 Inch Female O-Ring X #12 Beadlock Hose
3	AC302-436	Fitting, Straight, With Access #12 X #12 Beadlock Hose
4	AC302-437	Fitting, Straight, With Access #10 X #10 Beadlock Hose
5	AC302-494	Fitting, 90 Degree, 1/2 Inch Female O-Ring X #10 Beadlock Hose W/Access
6	AC302-495	Fitting, 90 Degree, 5/8 Inch Female O-Ring X #12 Beadlock Hose W/Access
7	AC301-447	Fitting, Straight, 1/2 Inch Female O-Ring X #10 Beadlock Hose
8	AC302-459	Fitting, Straight, 5/8 Inch Female O-Ring X #12 Beadlock Hose
9	40-64075-53	Fitting Kit, 90 Degree, 1/2 Inch Female O-Ring X #10 FlexCLIK Hose
10	40-64075-55	Fitting Kit, 90 Degree, 5/8 Inch Female O-Ring X #12 FlexCLIK Hose
11	40-64115-51	Fitting Kit, Splicer With Access, #12 X #12 FlexCLIK Hose
12	40-64115-50	Fitting Kit, Splicer With Access, #10 X #10 FlexCLIK Hose
13	40-62103-50	Fitting Kit, 90 Degree, 1/2 Inch Female O-Ring X #10 FlexCLIK Hose W/Access
14	40-62103-55	Fitting Kit, 90 Degree, 5/8 Inch Female O-Ring X #12 FlexCLIK Hose W/Access

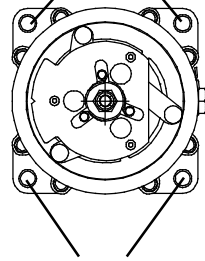


SECTION 4 - COMPRESSORS

COMPRESSOR IDENTIFICATION

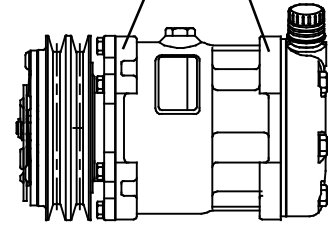
4.1 MOUNTING IDENTIFICATION

Mounting Holes



Mounting Holes

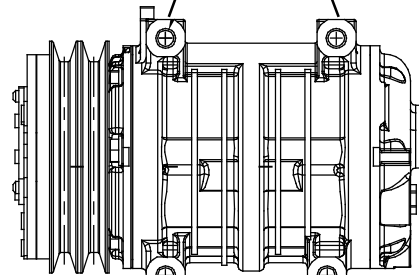
Mounting Holes



(Side View Reference Only)

EAR MOUNT VERSION

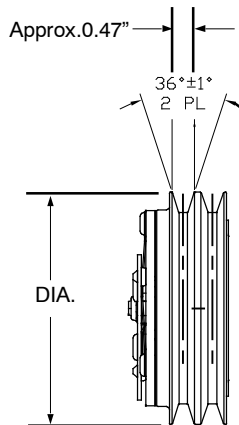
Mounting Holes



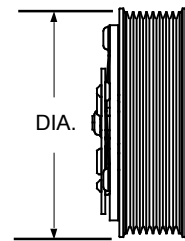
Mounting Holes

DIRECT MOUNT VERSION

4.2 CLUTCH IDENTIFICATION



2 A Groove Pulley



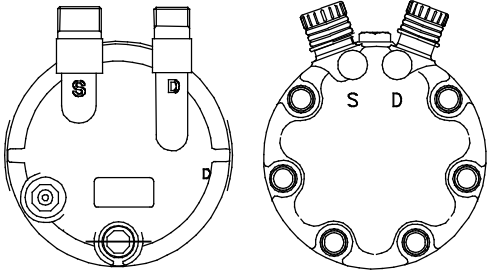
Poly- V Groove Pulley
6,8 & 10 Groove

NOTE: Clutch assembly kits are specific to pulley diameter and clutch coil voltage of 12 VDC or 24 VDC

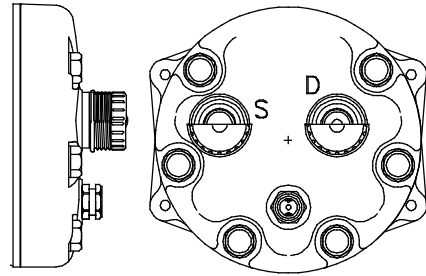


COMPRESSOR IDENTIFICATION

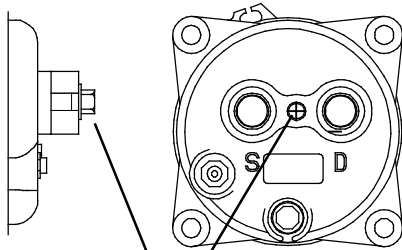
4.3 MANIFOLD IDENTIFICATION



Vertical O- Ring Fittings

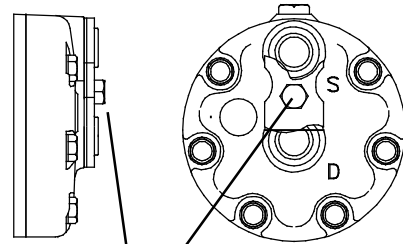


Horizontal O- Ring Fittings



GM Pad Mount Fittings

(Fittings are secured by a Manifold with Single Bolt in the Center)





4.4 SANDEN, SD-508, (R12)



Part Number	Description
AC501-249A	Compressor, SD-508, 12 VDC, (7) Gr. Poly-V, Ear Mount., Horizontal Tube-O (9570)

4.5 SANDEN, SD-709, (R12)



AC501-226A	Compressor, SD-709, (6) Gr. Poly-V, Direct Mt, Vertical O-Ring, (7416)
AC501-252A	Compressor, SD-709, (6) Gr. Poly-V, 12 VDC, Ear Mount, Vertical Tube-O (7427)

THE LETTER "A" OR "B" AT END OF THE PART # (EX. AC501-224A) MEANS THAT THE COMPRESSOR IS SUPPLIED WITH FITTINGS AND O-RINGS



4.6 SANDEN, SD-709 (R12 & R134a)



AC501-236	Field Coil, Clutch, 24 VDC, SD-709 and SD-7H15
AC501-247	Clutch Assembly, (6) Groove, 12 VDC, Poly-V, SD-709
AC501-257	Kit, Seal, SD-709 (R-22)



THE LETTER "A" OR "B" AT END OF THE PART # (EX. AC501-224A) MEANS THAT THE COMPRESSOR IS SUPPLIED WITH FITTINGS AND O-RINGS



4.7 SANDEN, SD-510, (R12)

AC501-248	Compressor, SD-510, 12 VDC, (2) "A" Gr., Vertical O-Ring, (9137)
AC501-223A	Compressor, SD-510, 12 VDC, (7) Gr., Ear Mount, Vertical O-Ring, (9663) With Fittings





4.8 SANDEN, SD-7H15, (R134a)



AC501-282A	Compressor, SD-7H15, (2) "A" Gr.132mm, Direct Mt., Vert. O-Ring, 12 VDC, (4626) W/Fittings
AC501-289A	Compressor, SD-7H15, (8) Gr. Poly-V, 12 VDC, Ear Mount H.Tube-O, (7822), W/90 Deg. Ftg
AC501-298A	Compressor, SD-7H15, (8) Gr. Poly-V, 119mm, 12 VDC, Direct Mt, Hor. O-Ring, W/Ftgs (4666)
18-00093-00	Compressor, SD-7H15-SHD, (2) "A" Grv.125mm, 12VDC, Ear Mount, 3/4 In. X 7/8 In. Vert. O-Ring, (supersede to 18-00093-07)
18-00093-01	Compressor, SD-7H15-SHD, (2) "A" Grv. 125mm,12 VDC, Ear Mount, GM Pad Fitting, (4708)
18-00093-14	Compressor, SD-7H15-SHD, (2) "A" Grv. 125 mm,12 VDC, Direct Mount, GM Pad Fitting, (4419)
18-00093-15	Compressor, SD-7H15-SHD, (2) "A" Grv. 125 mm,12 VDC, Ear Mount, GM Pad Fittings W/Connections
18-00093-16	Compressor, SD7H15 EHC, 10 Grv., Poly-V123 mm, 12VDC, Direct Mount, GM Pad Fitting (4034)



THE LETTER "A" OR "B" AT END OF THE PART # (EX. AC501-224A) MEANS THAT THE COMPRESSOR IS SUPPLIED WITH FITTINGS AND O-RINGS

QUE Compressors

(Alternative Compressor for Sanden SD7H15 Model)

QUE Part #	TM16 Part #	Description
Y61-Q1601-05	18-00093-16	Compressor, SD7H15 EHC, 10 Grv., Poly-V123 mm, 12VDC, Direct Mount, GM Pad Fitting (4034)



4.9 SANDEN SD-7H15 SHD, PARTS

AC501-285	Head, Cylinder, With Gasket, Horizontal O-Ring, SD-7H15
AC501-286	Head, Cylinder, With Gasket, Vertical O-Ring, SD-7H15



4.10 SELTEC, TM-15, (R12)



AC501-270A	Compressor, TM-15, (2) "A" Gr., 12 VDC, Horizontal Tube-O
AC501-271A	Compressor, TM-15, (2) "A" Gr., 12 VDC, Ear Mount, Vertical O-Ring, With Fittings
AC501-273A	Compressor, TM-15, (8) Gr. Poly-V, 12 VDC, Ear Mount, Vertical O-Ring, With Fittings

THE LETTER "A" OR "B" AT END OF THE PART # (EX. AC501-224A) MEANS THAT THE COMPRESSOR IS SUPPLIED WITH FITTINGS AND O-RINGS



4.11 SELTEC, TM-15, (R134a)



AC501-266A	Compressor, TM-15, (2) "A" Grv., 12 VDC, Ear Mount, Horizontal Tube-O, With Fittings
AC501-267A	Compressor, TM-15, (2) "A" Grv., (125mm), 12 VDC, Ear Mount, Vertical O-Ring, With Fittings (Supersede to 18-00093-07)



AC501-268A	Compressor, TM-15, (6) Grv. Poly-V, 12 VDC, Direct Mt., Vertical O-Ring, With Fittings
------------	--



AC502-208A	Compressor, TM-15, (8) Grv. Poly-V, 12 VDC, Ear Mount, Horizontal Tube-O W/Ftgs.
AC502-209A	Compressor, TM-15, (8) Grv. Poly-V, 12 VDC, Ear Mount, Vertical Tube-O W/Ftgs (Supersede to AC502-209Z)
Y61-T1501-00	Compressor, TM-15, (8) Grv. Poly-V, 119mm, 12 VDC, Ear Mount, Vertical Tube-O, W/O Fittings



4.12 SELTEC, TM-15, (R134a)- Continued:



AC502-215A Compressor, TM-15, (2) "A" Grv., 125 mm, 12 VDC, Ear Mount, (Without Manifold - Without Fittings)

4.13 SELTEC, TM-16 & TM-16HS, (R134a)



18-00093-05 Compressor, TM-16, (8) Grv., Poly-V, 12 VDC, Ear Mount, Vertical O-Ring, Monolithic Head, (was AC502-210)



18-00093-07 Compressor, TM-16, (2) "A" Grv., 12 VDC, Ear Mount, Vert.O-Ring, Monolithic Head (125MM), (was AC502-220)

18-00093-09 Compressor, TM-16, (8) Grv., Poly-V, 12 VDC, Ear Mount, Pad Fittings, Monolithic Head, (was 18-00074-35)



4.13 SELTEC, TM-16 & TM-16HS, (R134a) - Continued:



18-00093-06	Compressor, TM-16HS (8) Grv., Poly-V, 24 VDC, Ear Mount, 3/4" O-Ring & 7/8" O-Ring (V.O.R. Head)
18-00093-07	Compressor, TM-16HS (2) "A" Grv., 12 VDC, Ear Mount, 3/4" O-Ring & 7/8" O-Ring (V.O.R. Head)
18-00093-09	Compressor, TM-16HS (8) Grv., Poly-V, (123 mm), 12 VDC, Ear Mount, GM Pad Fittings Monolithic Head
18-00093-10	Compressor, TM-16HS (8) Grv., Poly-V, (123 mm), 24 VDC, Ear Mount, GM Pad Fittings Monolithic Head
18-00093-11	Compressor, TM-16HS (2) "A" Grv., (125mm), 12 VDC, Ear Mount, GM Pad Fittings, Monolithic Head, (Was 18-00074-36)
18-00093-12	Compressor, TM-16HS (2) "A" Grv., (125 mm), 24 VDC, Ear Mount, GM Pad Fittings Monolithic Head



18-00093-13	Compressor, TM-16HS (8) Grv., Poly-V, (123mm), 12 VDC, Direct Mount, GM Pad Fittings
18-00093-17	Compressor, TM-16HS (6) Grv., Poly-V, 12 VDC, Ear Mount, Vertical "O"-Ring, 3/4"-7/8" Pad Fitting
108-1921Z	Compressor, TM-16, (8) Grv., Poly-V, 12 VDC, Vertical "O" Ring



4.14 QUE COMPRESSORS (Alternative Compressor for Valeo TM16 Line)

QUE Compressors (Alternative Compressor for Valeo TM16 Models)		
QUE Part #	TM16 Part #	Description
Y61-Q1601-00	18-00093-13	Compressor, (8) Grv., Poly-V, (119mm),12 VDC, Direct Mount, GM Pad Fittings
Y61-Q1601-01	18-00093-09	Compressor, (8) Grv., Poly-V, (119 mm), 12 VDC, Ear Mount, GM Pad Fittings Monolithic Head
Y61-Q1601-02	18-00093-11	Compressor, (2) "A" Grv., (125mm), 12 VDC, Ear Mount, GM Pad Fittings, Monolithic Head
Y61-Q1601-03	18-00093-05	Compressor, (8) Grv., Poly-V, (119mm), 12 VDC, Ear Mount, 3/4" O-Ring & 7/8" O-Ring (V.O.R. Head)
Y61-Q1601-04	18-00093-07	Compressor, (2) "A" Grv., (125mm), 12 VDC, Ear Mount, 3/4" O-Ring & 7/8" O-Ring (V.O.R. Head)



4.15 SELTEC, TM-15/16 PARTS (Replaces DK-15 Diesel Kiki Parts)



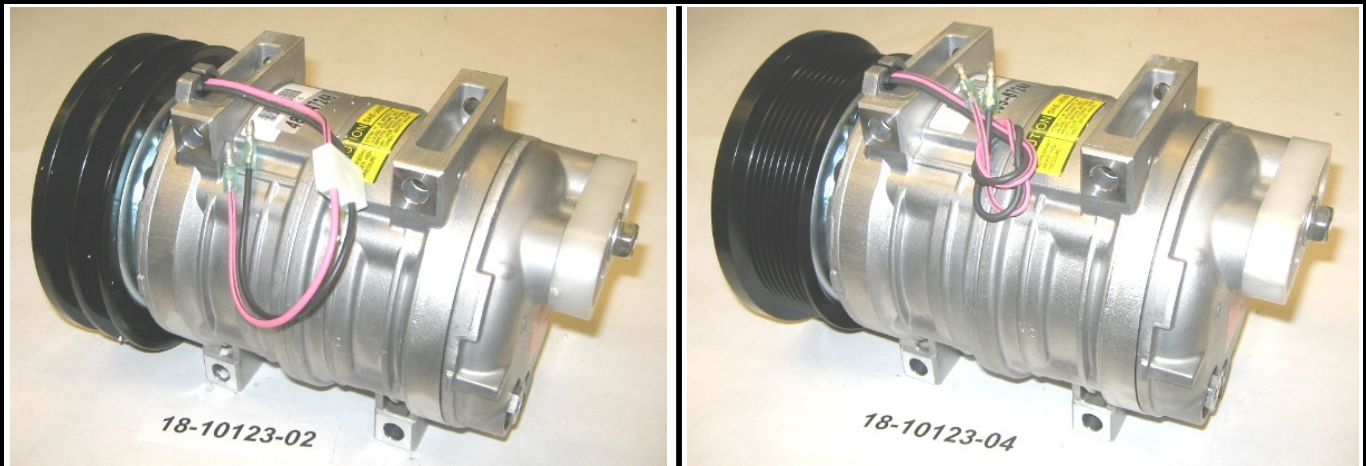
AC501-291	Clutch, Assembly, TM-15/16, (8) Gr. Poly-V, 12 VDC (Splined Shaft)
AC501-292	Clutch, Assembly, TM-15, (2) "A" Gr., (125mm) 12 VDC
50-60135-00	Clutch, Assembly, TM-15/16, (2) "A" Gr., (135mm) 12 VDC
42-60023-00	O-Rings For Bolt On Manifold, TM-08 Thru TM-16 (S/S to AC801-222)



17-31307-00	Coil, Clutch, 12 VDC, (TM-15/16) 4 Inch O.D.
-------------	--



4.16 SELTEC, TM-21HX, (R134a)



18-10123-00	Compressor, TM-21-HX, (8) Grv., Poly-V, 12 VDC, (137MM), Direct Mount, GM Pad Fitting
18-10123-02	Compressor, TM-21-HX, (2) "A" Grv., 12 VDC, (145MM), Direct Mount, GM Pad Fitting
18-10123-04	Compressor, TM-21-HX, (8) Grv., Poly-V, 12 VDC, (127MM), Direct Mount, GM Pad Fitting (Superseded to 18-10123-08)
18-10123-06	Compressor, TM-21-HX, 6 Grv., Poly-V, 12VDC, (137mm), Direct Mount, GM Pad Fitting
18-10123-07	Compressor, TM-21-HX, 10 Grv., Poly-V, (141MM),12VDC, Direct Mount, GM Pad Fitting; Includes:
Y60-00042-00	Clutch Assembly, 10 Grv., Poly-V, (141MM),12VDC
18-10123-08	Compressor, TM-21-HX, 8 Grv., Poly-V, (127MM),12VDC, Direct Mount, GM Pad Fitting
Y60-00044-00	Clutch Assembly, 8 Grv., Poly-V, (127MM),12VDC
18-10123-09	Compressor, TM-21-HX, (2) A Grv., (145MM),12VDC, Direct Mount, GM Pad Fitting
50-50074-00	Clutch, 12 VDC, Poly-V 8-Groove, 141 MM
50-50076-00	Coil, Clutch, 12VDC

4.17 QUE COMPRESSORS (Alternative Compressor for Valeo TM21 Line)

QUE Compressors (Alternative Compressor for Valeo TM21 Models)		
QUE Part #	TM21 Part #	Description
Y61-Q2101-00	18-10123-00	Compressor, (8) Grv., Poly-V, (137mm),12 VDC, Direct Mount, GM Pad Fittings, no diode in clutch wire
Y61-Q2101-01	18-10123-07	Compressor, (10) Grv., Poly-V, (141 mm), 12 VDC, Direct Mount, GM Pad Fittings
Y61-Q2101-02	18-10123-08	Compressor, (8) Grv., Poly-V, (127mm), 12 VDC, Direct Mount, GM Pad Fittings
Y61-Q2101-03	18-10123-09	Compressor, (2) "A"Grv., (145mm), 12 VDC, Direct Mount, GM Pad Fittings
Y61-Q2101-04	18-10123-06	Compressor, (6) Grv., Poly-V, (137mm), 12 VDC, Direct Mount, GM Pad Fittings



4.18 SELTEC, TM-26, (R12)

AC501-218	Compressor, TM-26, (2) "A" Gr., 12 VDC, Horiz. Flow - (Supersedes to 17-31244-00 (TM-31))
AC501-218A	Compressor, TM-26, (2) "A" Gr., 12 VDC, Horiz. Flow - (Supersedes to 17-31244-00 (TM-31))

THE LETTER "A" OR "B" AT END OF THE PART # (EX. AC501-224A) MEANS THAT THE COMPRESSOR IS SUPPLIED WITH FITTINGS AND O-RINGS

4.19 SELTEC, TM-26, (R134a)

AC501-277A	Compressor, TM-26, (2) "A" Gr., 12 VDC, Horizontal O-Ring (Supersedes to 17-31244-00)
AC501-277B	Compressor, TM-26, (2) "A" Gr., 12 VDC, Horizontal O-Ring, (Str. Ftgs.) (Supersedes to 17-31244-00)
AC502-213A	Compressor, TM-26, (8) Gr. Poly-V, 12 VDC, Horizontal O-Ring (Supersedes to 18-60012-11)

THE LETTER "A" OR "B" AT END OF THE PART # (EX. AC501-224A) MEANS THAT THE COMPRESSOR IS SUPPLIED WITH FITTINGS AND O-RINGS AS A KIT

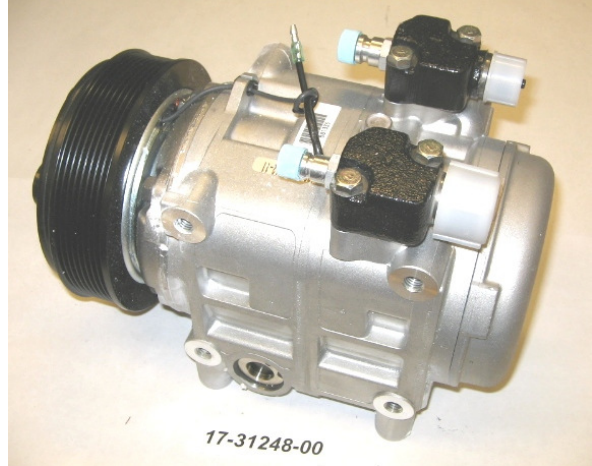
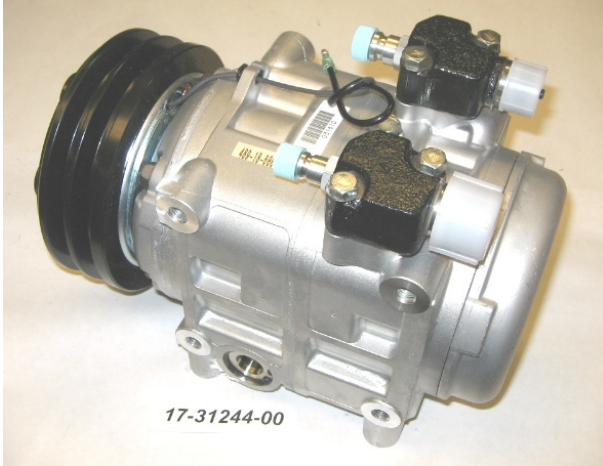
4.20 SELTEC, TM-26 PARTS



AC501-221	Pulley, Clutch, (2) "A" Groove, With (Armature) Plate
AC501-253	Shaft Seal,Kit, Carbon Type
AC051-1173	Clutch, Assembly, (8) Gr. Poly-V, With (Armature) Plate, (No Coil)



4.21 SELTEC, TM-31, (R134a)



17-31244-00	Compressor, TM-31, (2) "A" Gr.,12 VDC, Direct Mount, Horizontal O-Ring
18-60012-09	Compressor, TM-31, (2) "B" Gr., 12 VDC, Direct Mount, Horizontal O-Ring (Supersede to Y61-Q3101-00)
17-31248-00	Compressor, TM-31, (8) Gr. Poly-V, 12 VDC, Direct Mount, Horizontal O-Ring, (Superseded to 18-60012-11)

4.22 QUE COMPRESSORS (Alternative Compressor for Valeo TM31 Line)

QUE Compressors
(Alternative Compressor for Valeo TM31 Models)

QUE Part #	TM31 Part #	Description
Y61-Q3101-00	18-60012-09	Compressor, (2) "B" Gr., 12 VDC, Direct Mount, Horizontal O-Ring,

4.23 SELTEC, TM-31 PARTS



17-31262-00	Clutch Assembly, TM-31, (8) Gr. Poly-V, 158mm, 5 Eye, 12 VDC
-------------	--



4.24 YORK COMPRESSORS & PARTS



AC501-201A

AC501-201A Compressor, York, EF-210, (2) "A" Gr., 12 VDC, Horizontal Flow

THE LETTER "A" OR "B" AT END OF THE PART # (EX. AC501-224A) MEANS THAT THE COMPRESSOR IS SUPPLIED WITH FITTINGS AND O-RINGS

4.25 ALMA, A-6, (R134a)



18-00073-01

AC502-216 Compressor, A-6, (1) "A" Gr., 12 VDC

18-00073-00 Compressor, A-6, 6 Groove Poly-V, 12 VDC

18-00073-01 Compressor, A-6, 8 Groove Poly-V, 12 VDC



4.26 ALMA, A-6 PARTS



50-50062-00 Clutch Armature (Driver) & Key



50-50070-00 Clutch Assembly, 8 Groove Poly-V, 12 VDC, 4.81 Inch O.D.



50-50072-00 Clutch Assembly, 6 Groove Poly-V, 12 VDC, 5.5 Inch O.D.

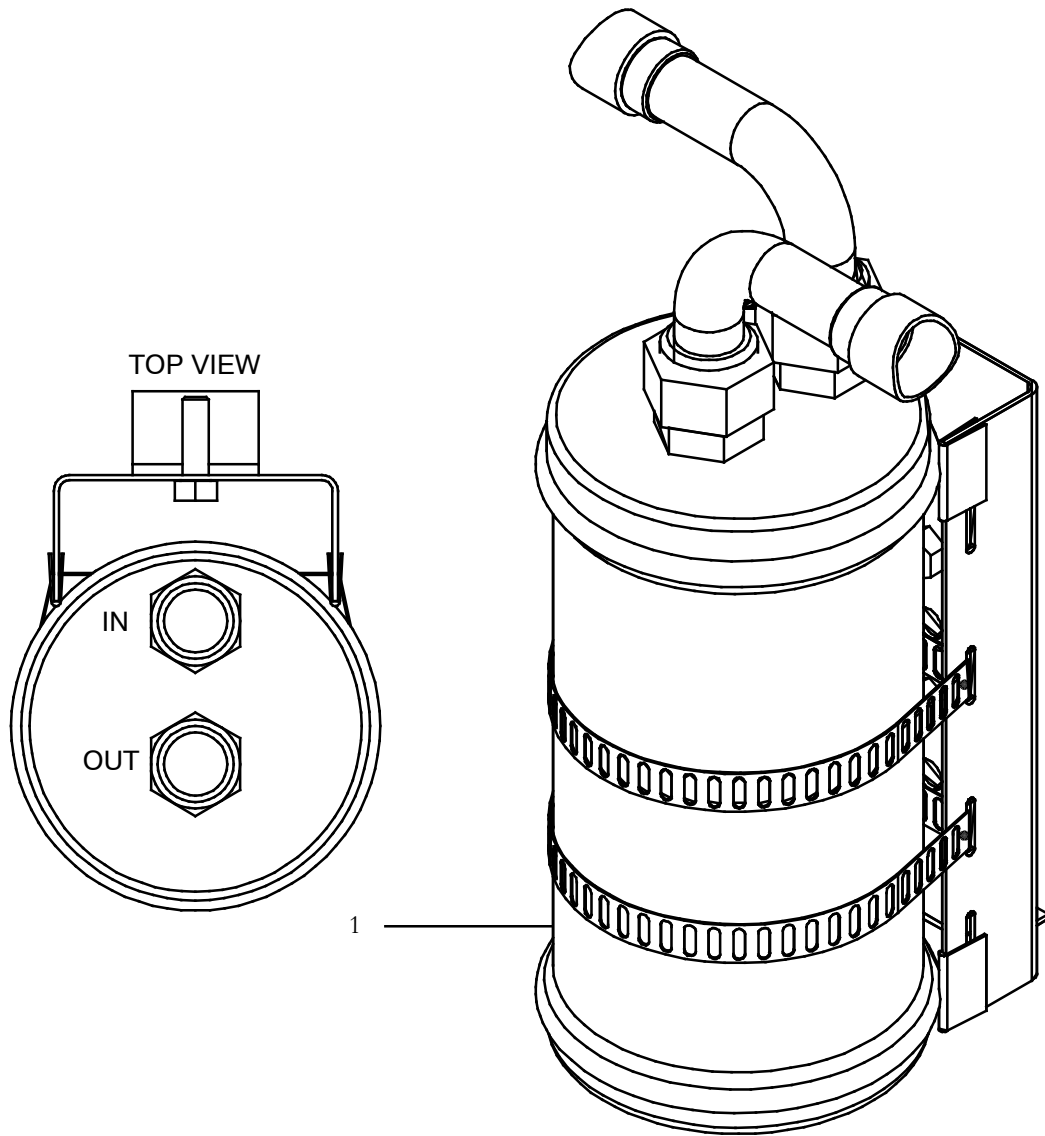
4.27 OIL - COMPRESSOR

46-50004-00 ISO 150 PAG For Alma Products A6 Compressors Using R-134a (250CC Metal Can)

46-50006-00 ISO 46 PAG For Seltec TM-15, 16, 21 & 31 and Sanden SD7 (1Quart Metal Can)



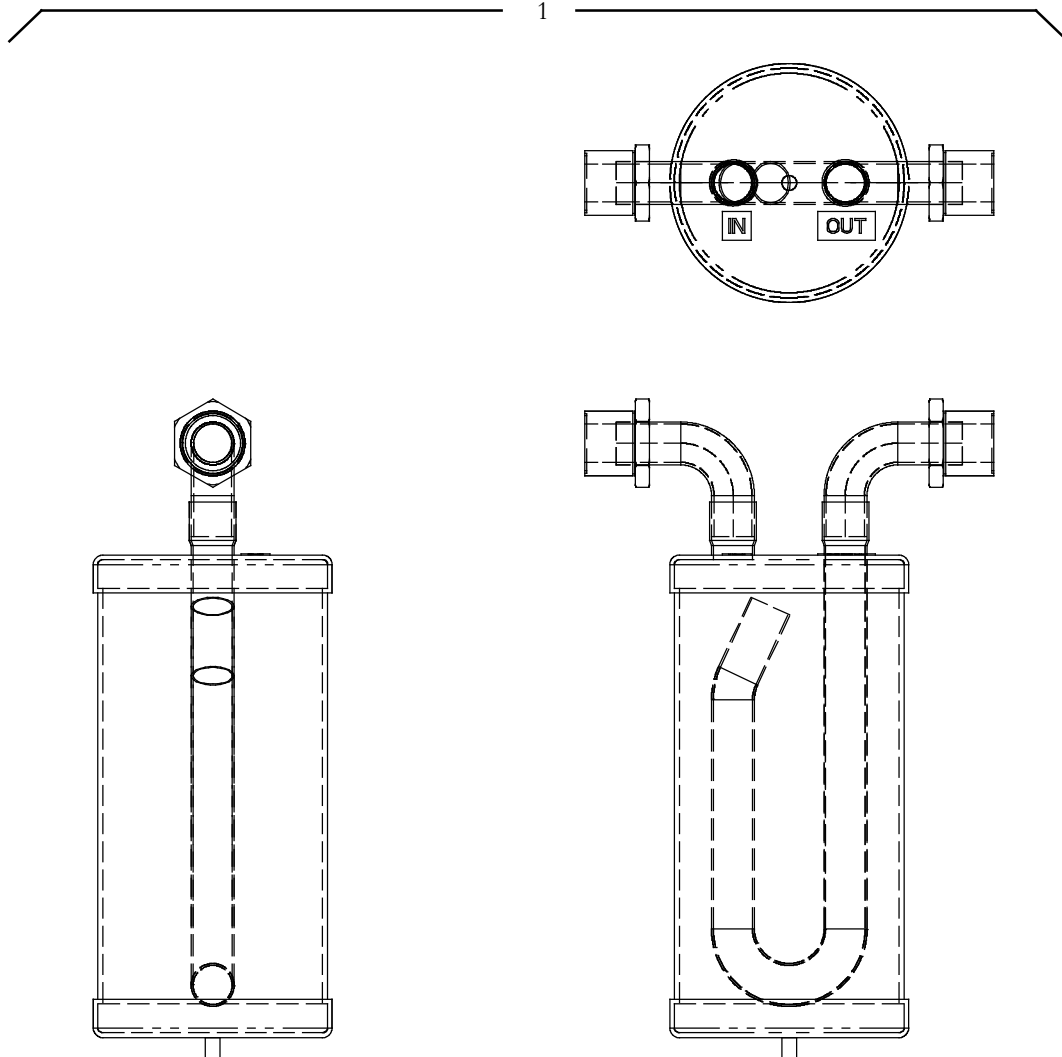
4.28 SUCTION LINE ACCUMULATOR



Item	Part Number	Description	Qty
1	65-62004-00	Accumulator, Suction Line	1



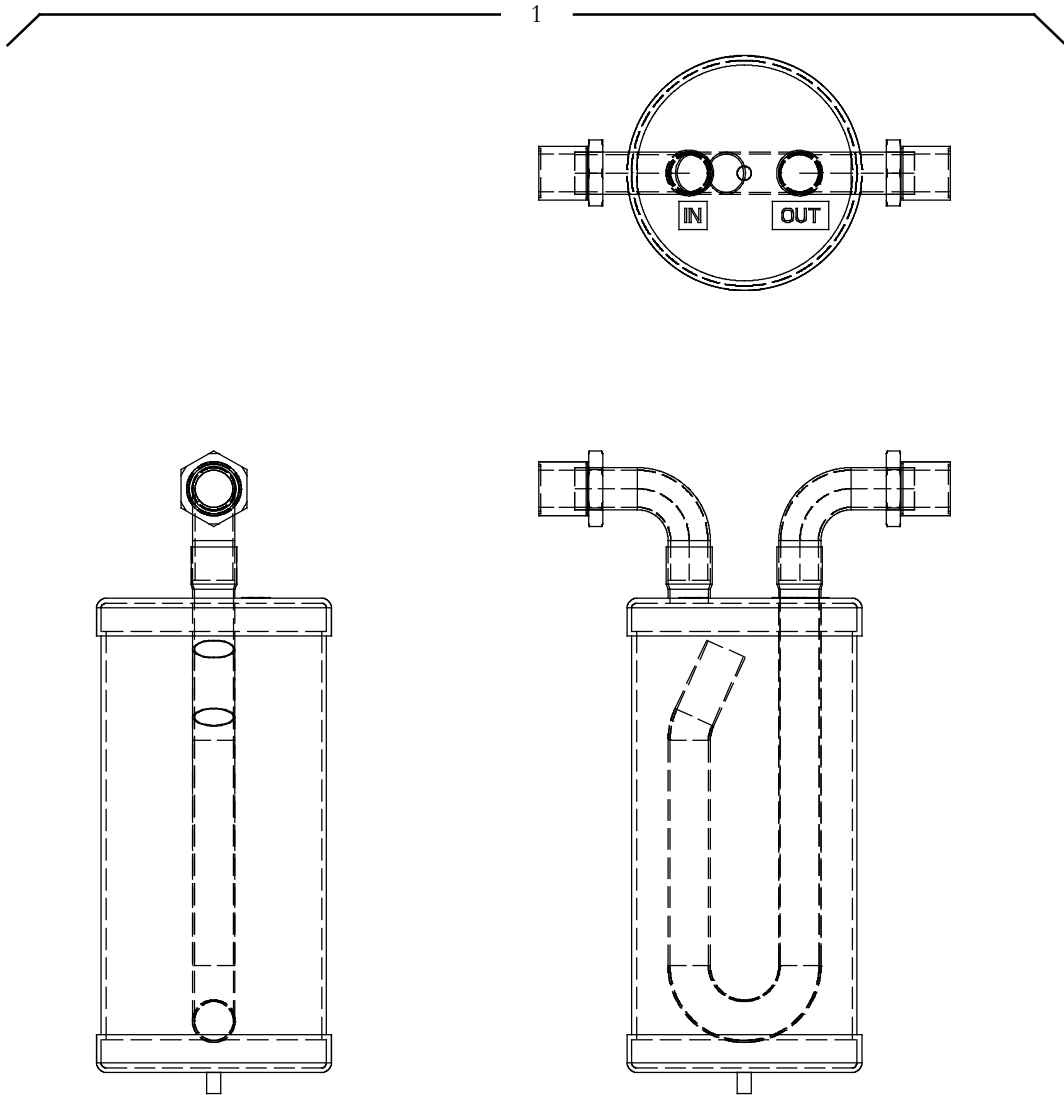
4.28 SUCTION LINE ACCUMULATORS



Item	Part Number	Description	Qty
1	Y26-00077-00	Accumulator Assembly, Suction, 1 11/16 - 12 (20 ORFS) x 1 11/16 - 12 (20 ORFS)	1



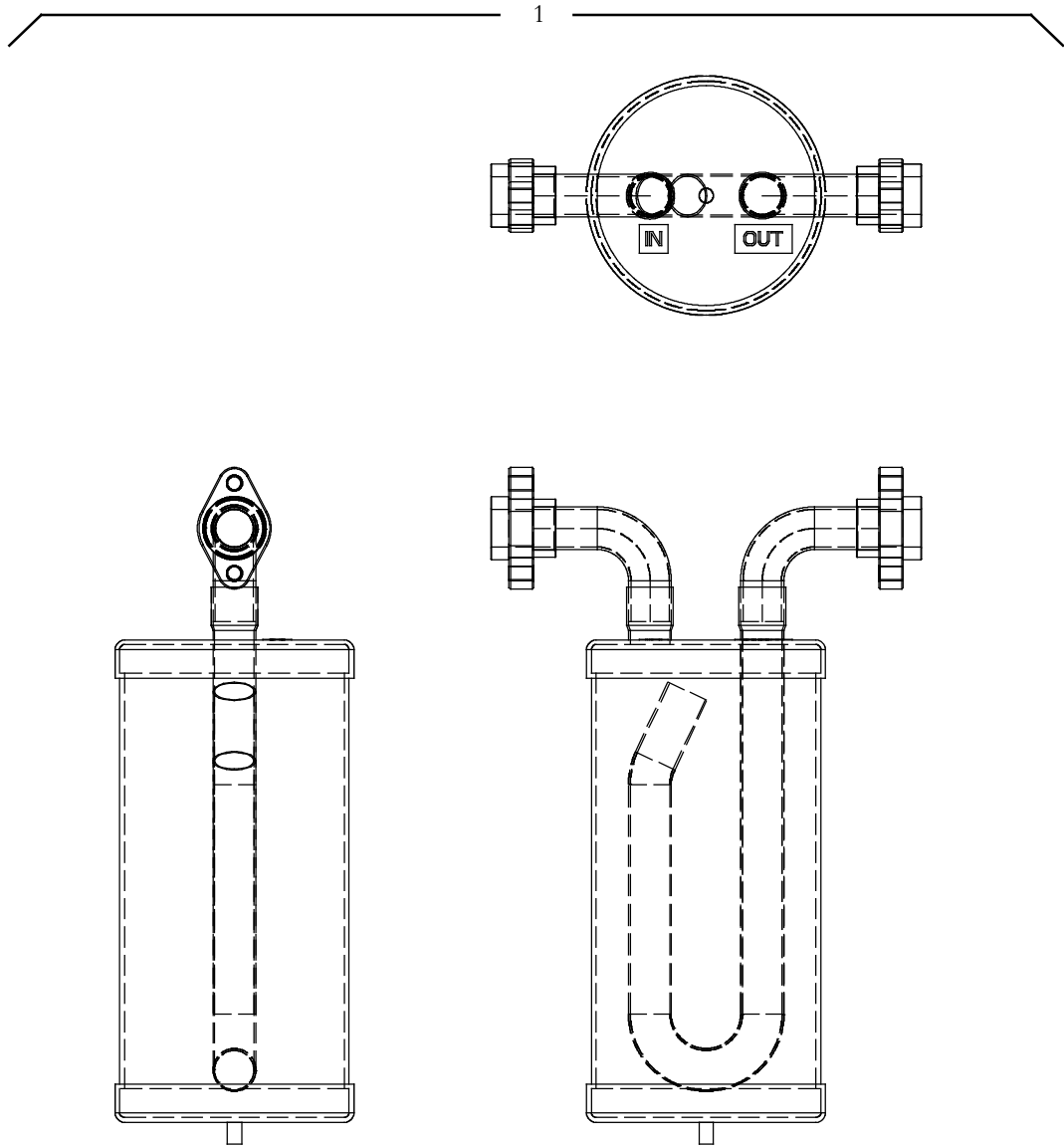
4.28 SUCTION LINE ACCUMULATORS



Item	Part Number	Description	Qty
1	Y26-00077-01	Accumulator Assembly, Suction, 1 7/16 - 12 (16 ORFS) x 1 7/16 -12 (16 ORFS)	1



4.28 SUCTION LINE ACCUMULATORS

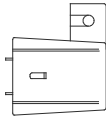


Item	Part Number	Description	Qty
1	Y26-00077-02	Accumulator Assembly, Suction, Flange Fitting x Flange Fitting	1

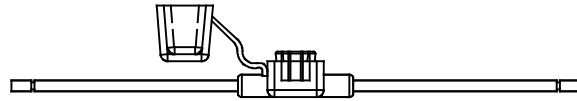


SECTION 5 - ELECTRICAL

5.1 FUSE AND FUSE HOLDERS



ATC Fuse Holder

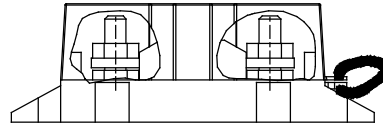


JCASE Fuse Holder

Part Number	Description
22-02336-06	Fuse, 15 AMP, ATC
22-62328-00	Fuse, 40 AMP, JCASE
22-62328-01	Fuse, 30 AMP, JCASE
22-62328-02	Fuse, 25 AMP, JCASE
22-62328-03	Fuse, 20 AMP, JCASE

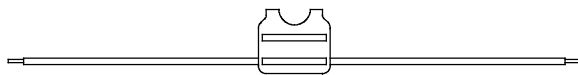


Mega - Series
22- 02336- 15 or 31

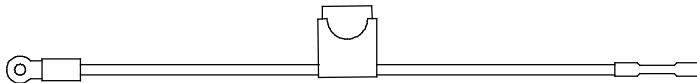


Mega - Series
22-02898-00

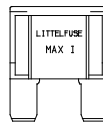
22-62119-00	Assembly, Fuse Holder, 10 AMP/ ATC-Series
22-62119-01	Assembly, Fuse Holder, 15 AMP/ ATC-Series
22-62119-02	Assembly, Fuse Holder, 20 AMP/ ATC-Series
22-02336-02	Fuse, 5 AMP/ ATC-Series
22-02336-04	Fuse, 10 AMP/ ATC-Series
22-02336-06	Fuse, 14 AMP/ ATC-Series
22-02336-01	Fuse, 20 AMP/ ATC-Series
22-02338-02	Fuse Holder, #16 AWG Stranded, (In-Line ATC Series)
22-62110-00	Fuse Holder, With Cover, (In-Line Maxi Series)
22-02898-00	Fuse Holder, With Cover (Mega- Series) Surface Mount
22-02336-15	Fuse, 150 AMP/ Mega- Series
22-02336-31	Fuse, 100 AMP/ Mega- Series
22-02336-17	Fuse, 60 AMP/ Maxi- Series



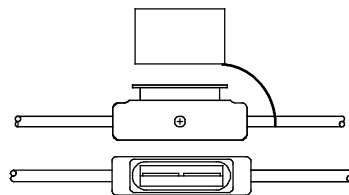
22- 02338



22- 62119
ATC - Series



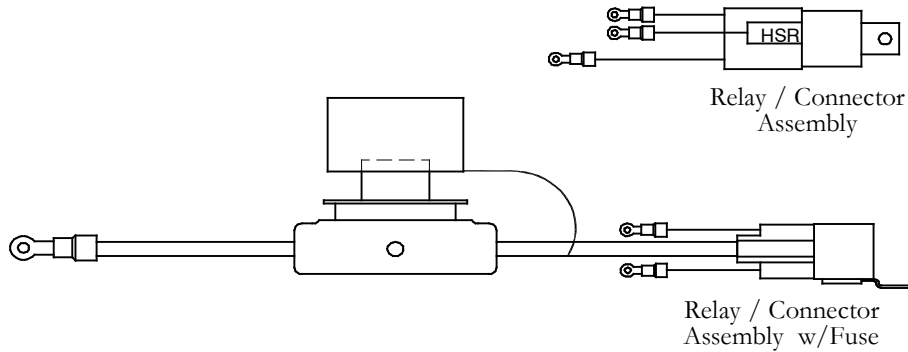
Maxi - Series
22- 02336- 17



Maxi - Series
22-62110-00

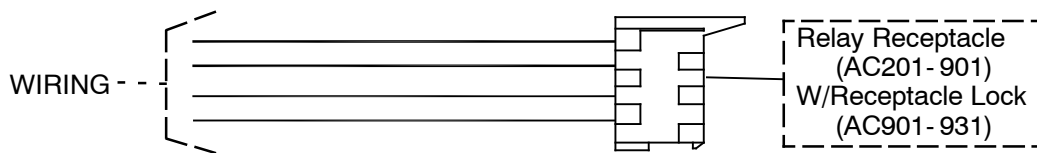


5.2 RELAY ASSEMBLIES, 70 Amp



Part Number	Description
22-62210-00	Relay/Connector Assembly, (HSR), (With Wiring) - Includes:
Y25-00089-00	Relay, 70 Amp (12VDC)
22-62210-02	Connector/Wiring Assembly, (HSR), (Less Relay) - Includes:
22-50078-18	Connector, Relay
NSI	Label, HSR (High Speed Relay)
22-62210-01	Relay/Connector Assembly, (HSR), With Wiring & Fuse- Includes:
Y25-00089-00	Relay, 70 Amp (12VDC)
22-62210-03	Connector/Wiring/Fuse Holder Assembly, (HSR), (Less Relay) - Includes:
22-50078-18	Connector, Relay
22-62110-00	Fuse Holder, With Cover
22-02336-17	Fuse, 60 Amp
NSI	Label, HSR (High Speed Relay)
22-62210-04	Relay/Connector Assembly, (CR), With Wiring, - Includes:
Y25-00089-00	Relay, 70 Amp (12VDC)
22-62210-05	Relay/Connector Assembly, (MSR), With Wiring, - Includes:
Y25-00089-00	Relay, 70 Amp (12VDC)

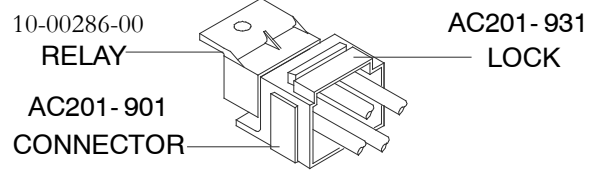
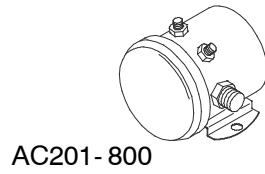
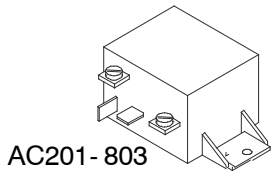
5.3 RELAY CONNECTOR ASSEMBLIES, (40/50 Amp)



Part Number	Description
AC201-922	Connector Assembly, High Speed Relay, 4 Prong
22-62238-00	Connector Assembly, Medium Speed Relay, 4 Prong
22-62238-01	Connector Assembly, Low Speed Relay, 4 Prong
22-62238-02	Connector Assembly, Clutch Relay, 4 Prong
22-62238-03	Connector Assembly, Condenser Relay, 4 Prong



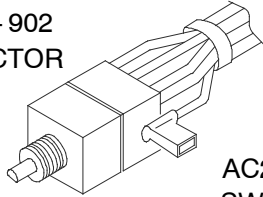
5.4 RELAYS - SOLENOIDS



Part Number	Description
AC201-800	Contactora, Solenoid, 12 VDC, 70 AMP (With Nuts & Washers)
AC201-803	Contactora, Solenoid, 24 VDC, 50 AMP
AC201-804	Relay, 5 Prong, 24 VDC, 30 AMP
AC201-805	Solenoid, Choke, 12VDC
AC201-812	Contactora, Relay, 12 VDC, 20/30 AMP
10-00286-00	Relay, 4 Prong, 12 VDC, 40 AMP, With Bracket
10-00286-03	Relay, 5 Prong, 12 VDC, 30 AMP, With Bracket
10-00286-09	Relay, 5 Prong, 24 VDC, 40 AMP, No Bracket
10-00286-12	Relay, 5 Prong, 24 VDC, 40 AMP, No Bracket
10-00286-14	Relay, 5 Prong, 12 VDC, 50 AMP, With Bracket, (Arc Suppression Diode)
Y25-00001-05	Relay, 5 Prong, 12 VDC, 50 AMP, No Bracket
10-00286-15	Relay, 5 Prong, 12 VDC, 40 AMP, With Bracket, (Arc Suppression Diode)
Y25-00089-00	Relay, 4 Prong, 12 VDC, 70 AMP, With Bracket

5.5 SWITCHES

AC201-902
CONNECTOR



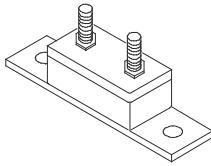
AC201-305
SWITCH

NOTE:
USE AC201-902 CONNECTOR
WITH AC201-305

Part Number	Description
AC201-302	Switch, Toggle, SPDT, (ON-OFF-ON)
AC201-303	Switch, Toggle, SPST, (OFF-ON)
AC201-305	Switch, Rotary, Heavy Duty, (Double Nuts)



5.6 CIRCUIT BREAKER



CIRCUIT BREAKER COLOR CODE

20 AMP - YELLOW DOT
 30 AMP - GREEN DOT
 40 AMP - RED DOT
 50 AMP - WHITE DOT

CIRCUIT BREAKER IDENTIFICATION



TYPE III - MANUAL RESET - RESETS WHEN EXTERNAL BUTTON IS PUSHED.



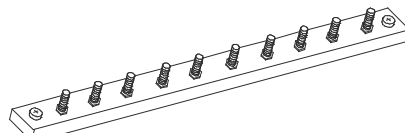
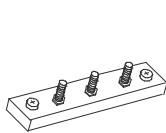
TYPE II - RESETS WHEN OVERCURRENT IS CORRECTED OR REMOVED.



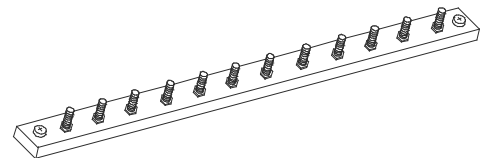
TYPE I - AUTOMATIC RESET CYCLES CONTINUOUSLY.

Part Number	Description
AC201-109	Circuit Breaker, 0.5 AMP, Manual Reset
AC201-121	Circuit Breaker, 20 Amp, Type I
AC201-105	Circuit Breaker, 20 AMP, Manual Reset, Type III
AC201-105-1	Circuit Breaker, 10 AMP, Manual Reset, Type III
AC201-113	Circuit Breaker, 20 Amp, Thermal Reset, (Panel Mount)
AC201-101	Circuit Breaker, 30 Amp, Type II
AC201-106	Circuit Breaker, 30 AMP, Manual Reset, Type III
AC201-119	Circuit Breaker, 40 Amp, Type I
AC201-112	Circuit Breaker, 40 AMP, Manual Reset, Type III
AC201-102	Circuit Breaker, 50 Amp, Type II, (Supersedes to AC201-107)
AC201-107	Circuit Breaker, 50 AMP, Manual Reset, Type III

5.7 TERMINAL BOARDS



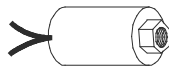
Reference Only



22-02897-00	Terminal Board, 3 Position, 300 VDC, 30 Amp (Replaces 22-01334-00)
22-02897-07	Terminal Board, 10 Position, 300 VDC, 30 Amp (Replaces 22-01334-07)
22-02897-09	Terminal Board, 12 Position, 300 VDC, 30 Amp (Replaces 22-01334-09)
22-02897-11	Terminal Board, 14 Position, 300 VDC, 30 Amp (Replaces 22-01334-11)
22-02897-13	Terminal Board, 16 Position, 300 VDC, 30 Amp (Replaces 22-01334-13)



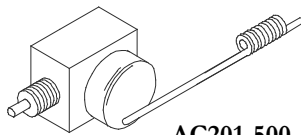
5.8 PRESSURE SWITCHES



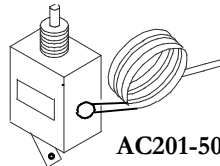
Pressure switch (Female)

Part Number	Description
AC201-400	Switch, High, Female, 350-250 PSI, (GEN-I & GEN-II)
AC201-408	Switch, High, Female, 400-300 PSI
AC201-414	Switch, High, Female, 400-300 PSI, (GEN III & GEN 4)
AC201-404	Switch, Low, Female, 10-25 PSI, (GEN I & GEN II)
AC201-412	Switch, Low, Female, 10-25 PSI, (GEN III & GEN 4)
AC201-409	Switch, Low, Female, 40-80 PSI
AC201-410	Switch, Low, Female, 60 PSI
AC201-403	Switch, Oil Pressure, (DM Series)

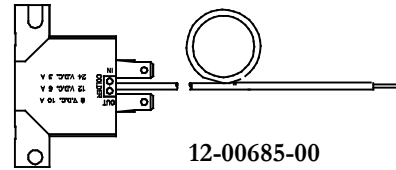
5.9 THERMOSTATS



AC201-500



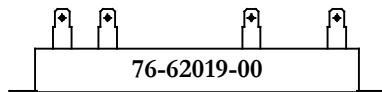
AC201-501



12-00685-00

AC201-500	Thermostat, Air, (With 2 Nuts)
AC201-501	Thermostat, Coil, Insert, (With 2 Nuts)
22-62007-00	Temperature Selector Assembly
12-00685-00	Thermostat, Non-Adjustable, Gen 5

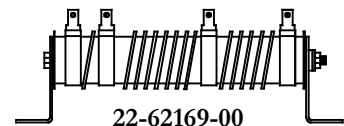
5.10 DIODES-LIGHTS-RESISTORS



76-62019-00



AC201-600



22-62169-00

Part Number	Description
AC201-600	Diode, In line, 6 AMP
AC201-616	Light, LED, Red, 24 VDC
AC201-609	Resistor, 1.6 OHM, 3 Post
AC201-610	Resistor, 2.5 OHM, (For AC401-200 Blower Assembly)
AC201-623	Resistor, 1 OHM, With Bracket, (For AC401-205 Blower Assembly)
76-62019-00	Resistor, Kit, 1.8 OHM, 4 Post, GEN 4 Evaporators, (AC201-611)
22-62169-00	Resistor, 0.815 OHM, 220 Watt, 4 Post, Gen V Evaporators, (3 Speed)

5.11 GAUGES-SENDERS

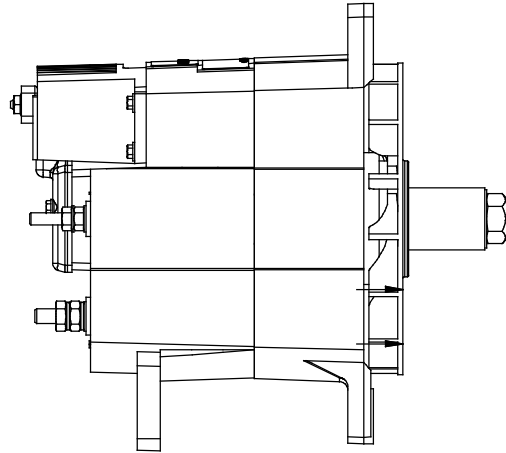
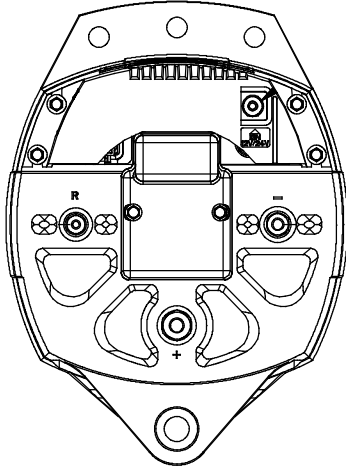
AC201-702	Gauge, Oil Pressure, Round (Cummins)
AC201-706	Gauge, Temperature Switch, Round, (Diesel Engine) (Includes: 3/8 Inch NPT Adapter)
AC201-707	Gauge, Temperature Switch, Round, (Gas Engine)
AC201-703	Sender, Oil Pressure, (Florida Specs.-Cummins)



5.12 HARNESS, ELECTRICAL	
AC201-905	Harness, Condenser Motor
AC201-910	Harness, Condenser, Black Jacket, (Gen IV)
AC201-921	Harness, Evaporator, Gray X Ft.
22-62101-00	Cable, Evaporator, Gen 5 - GSA, Orange Jacket
22-62102-00	Cable, Evaporator, Gen 5 - GSA, White Jacket (NSI)
22-62103-00	Cable, Condenser, Gen 5 - GSA, Red Jacket
5.13 CONNECTORS, ELECTRICAL	
10-50052-00	Block, Junction, Stud-Type, 3/8-16, Black
10-50052-01	Block, Junction, Stud-Type, 3/8-16, Red



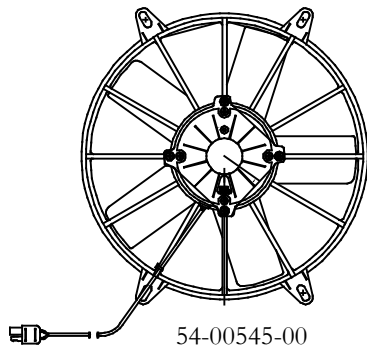
5.14 ALTERNATOR, BATTERYLESS, 24VDC



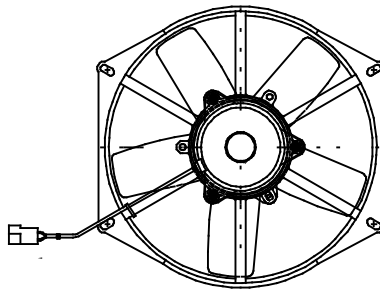
Part Number	Description
30-62004-00	Alternator, 24 VDC Batteryless



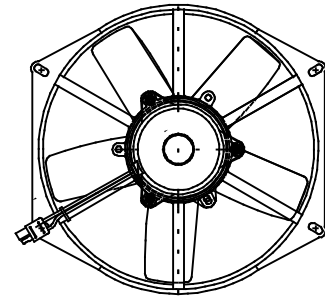
5.15 FAN BLADES AND FAN ASSEMBLIES



54-00545-00

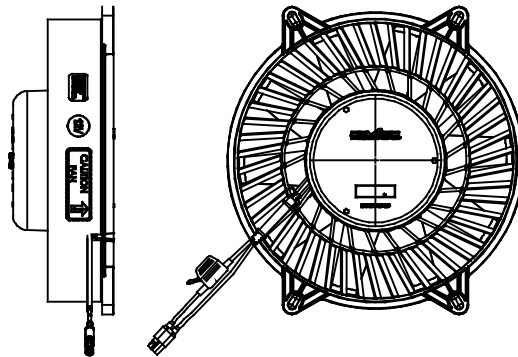


54-00545-01



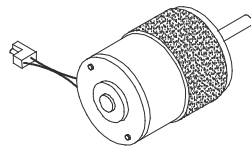
54-00545-02

AC401-100	Blade, Fan, 10 inch, 35, Condenser
AC401-110	Assembly, Fan, Condenser, 11 inch, 12 VDC, (Supersedes to 54-00618-01)
54-00545-00	Assembly, Fan, Condenser, 11 inch, 24 VDC, (SPAL)
54-00618-01	Fan & Motor Assembly, Vector, 12V With 20 Amp Fuse (No Replacement Motor) Includes:
22-02336-25	Fuse, 20 Amp



54-00618-01

5.16 MOTORS

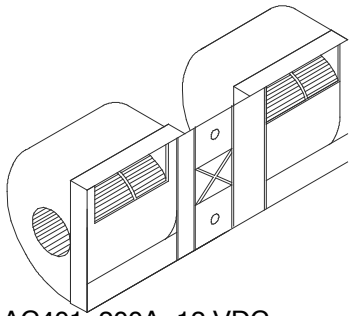


AC501-102 (12 VDC)
AC501-103A, (24 VDC)

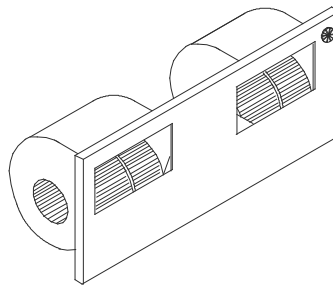
AC501-102A	Motor, Condenser, 12 VDC, 2-1/2 Diameter With Gasket
AC501-103A	Motor, Condenser, 24 VDC, 2-1/2 Diameter With gasket
AC501-122	Motor, Evaporator, 12 VDC, (EM-10 & EM-17) - Includes:
22-50091-00Brush, Motor
04-50023-00Bearing, Motor
54-50080-00	Motor, Condenser, 12 VDC, (Supersedes to 54-00618-01)



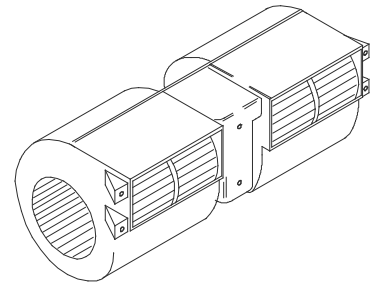
5.17 BLOWER ASSEMBLIES



AC401-200A, 12 VDC
AC401-201A, 24 VDC



54-00546-03

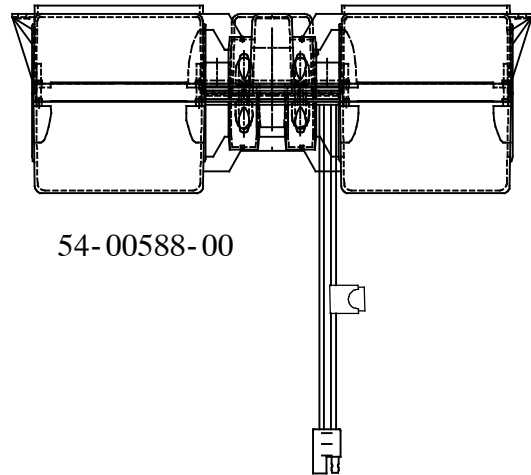
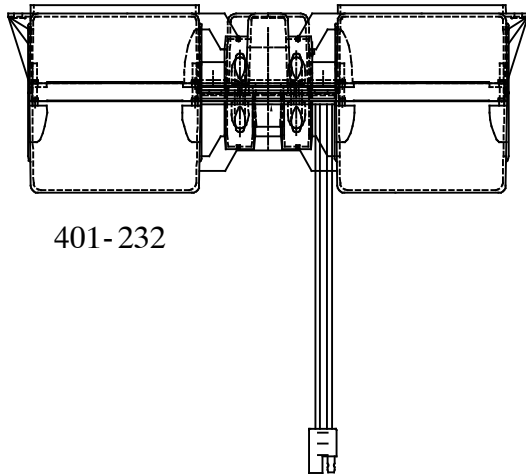
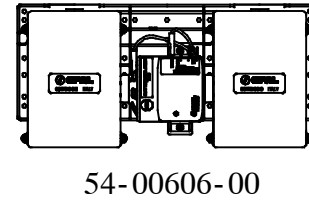
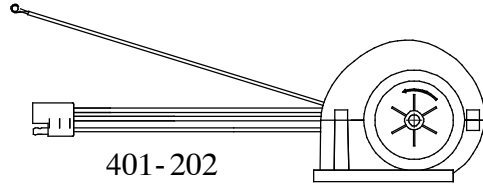
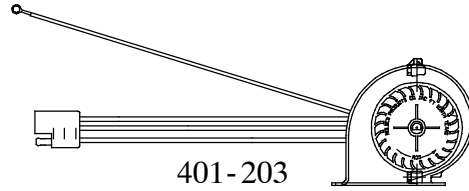
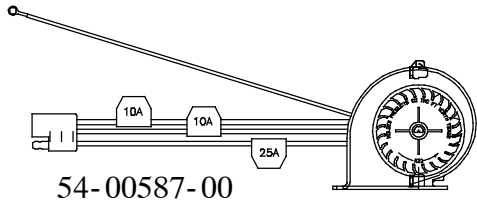


AC401-209A, 12 VDC
AC401-210A, 24 VDC

Part Number	Description
AC401-200A	Assembly, Blower, Dual, 12 VDC, GEN I Replacement Kit
AC401-204	Assembly, Blower, Dual, 24 VDC, GEN II, (EM-14)
54-00546-03	Assembly, Blower, Dual, 24 VDC, (EM-21 / EM-22 / EM-30)
AC401-209A	Assembly, Blower, Dual, 12 VDC, GEN II, (EM-1 / EM-2 / EM-3 / EM-6)
AC401-210A	Assembly, Blower, Dual, 24 VDC, GEN II, (EM-1 / EM-2 / EM-3 / EM-6)
AC401-214	Clip, Mounting, Use With 401-200
AC401-215	Blower Wheel, (EM-10)
AC401-217	Venturi Ring, (EM-10)
AC401-220	Blower Wheel, EM-10, Driver's Side
AC401-221	Assembly, Blower, Dual, 12 VDC, GEN III, (EM-1 / EM-2 / EM-3 / EM-6)
AC401-222	Assembly, Blower, Dual, 12 VDC, GEN III, (EM-1 / EM-2 / EM-3 / EM-6)
AC401-229	Assembly, Blower, Dual, 24 VDC, GEN III, (EM-14)
AC040-074	Assembly, Blower, Dual, 12 VDC, (EM-21) (Also Replacement Number AC401-202)
AC401-202	Assembly, Blower, Dual, 12 VDC, (IW-1)



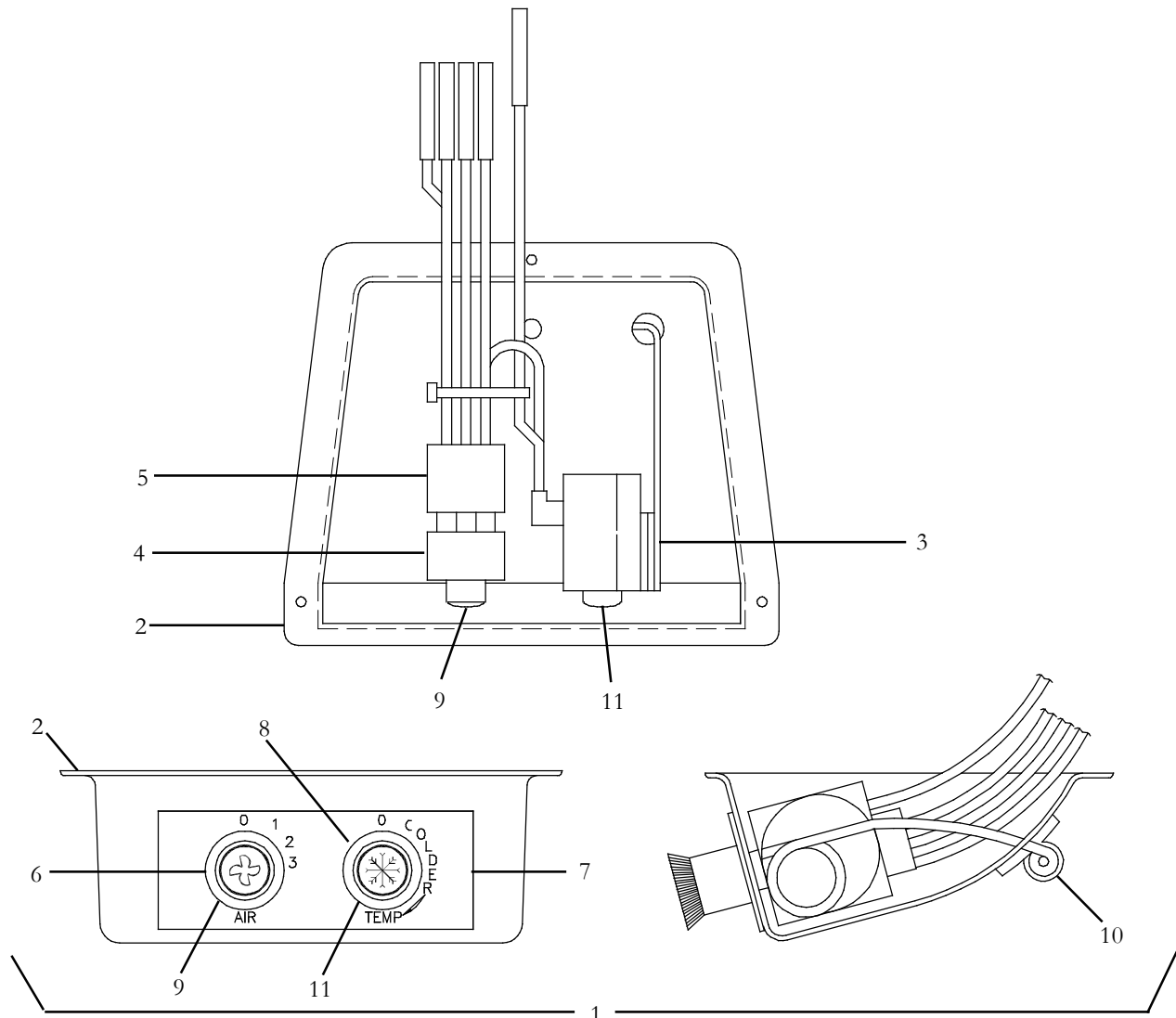
5.17 BLOWER ASSEMBLIES - Continued



Part Number	Description
AC040-074	Fan & Motor Assembly, 12 VDC, EM-21, EM-22 & IW-1
AC401-203	Fan & Motor Assembly, 12 VDC, GEN II, EM-14
AC401-232	Fan & Motor Assembly, 12 VDC, GEN 4, (EM-1 / EM-2 / EM-3 / EM-6)
AC401-233	Fan & Motor Assembly, 24 VDC, GEN 4, (EM-1 / EM-2 / EM-3 / EM-6)
54-00588-00	Fan & Motor Assembly, 12 VDC, Fused, Gen 4, GSA
54-00606-00	Fan & Motor Assembly, 12 VDC, Permanent Magnet, IW-7



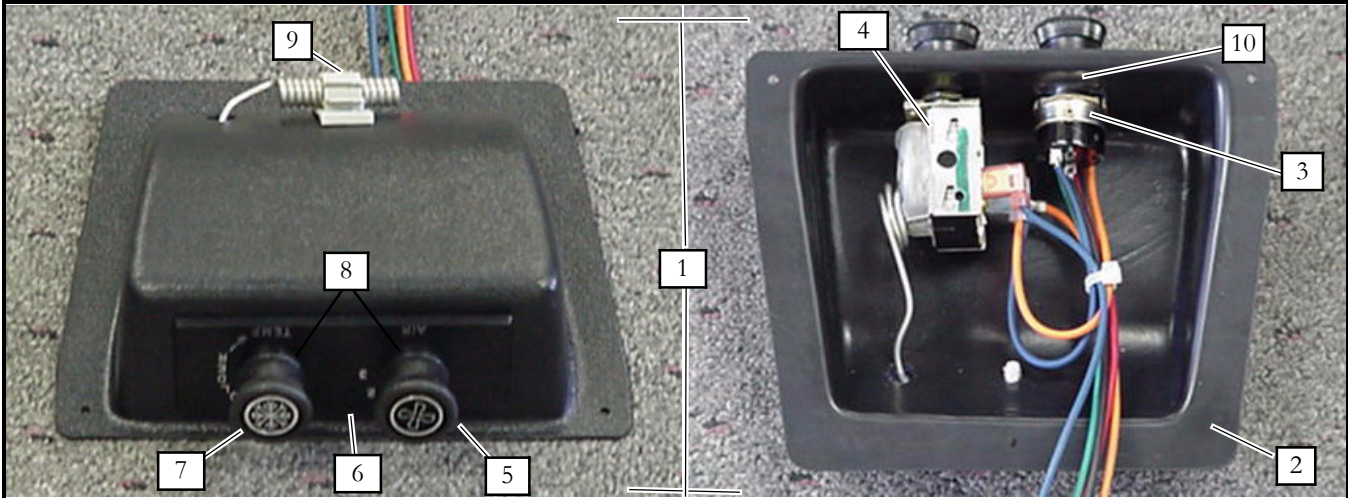
5.18 DRIVERS CONTROL PANEL (GEN 1 THROUGH GEN 4)



Item	Part Number	Description	Qty
1	AC010-006	Assembly, Drivers Control Panel, Includes:	1
2	AC010-204Housing, Control Panel, Black, (Cover)	1
3	AC201-500Thermostat, With Double Nut	1
4	AC201-305Switch, Fan Speed	1
5	AC201-902Harness, With 5 Position Connector, (Fan Speed Switch)	1
6	AC202-300Knob, Fan	1
7	AC202-301Nameplate, plastic, Black	1
8	AC202-303Knob, Snowflake	1
9	AC202-305Nut, Cover, Dressing	2
10	AC701-206Clamp, Thermostat Coil	1
11	AC202-307Nut, Hex, 7/16-28 Thread	2
12	77-62135-00	Kit, Drivers Control Panel, (Items 3 through 11)	1



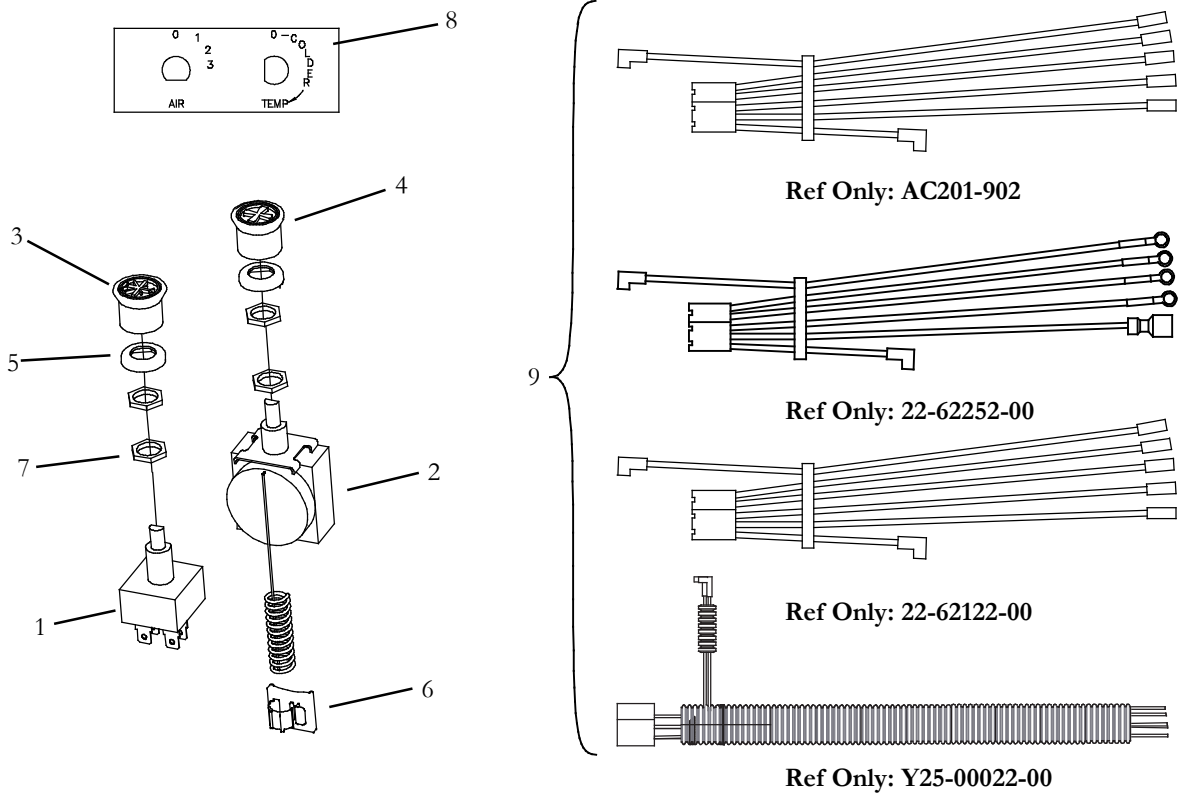
5.19 DRIVERS CONTROL PANEL GEN-5 (VARIABLE)



Item	Part Number	Description	Qty
1	91-62016-00	Assembly, Drivers Control Panel, Consisting Of:	1
2	AC010-204Housing, Control Panel, Black	1
3	22-62131-00Switch, Fan Speed	1
4	AC201-500Thermostat, Control With Double Nut	1
5	AC202-300Knob, Fan	1
6	AC202-301Switchplate, Control Panel, Plastic, Black	1
7	AC202-303Knob, Snowflake	1
8	AC302-305Nut, Cover	NSI
9	AC701-206Clamp, Thermostat Coil	1
10	AC202-307 Nut, Hex, (Fan Speed Switch)	2



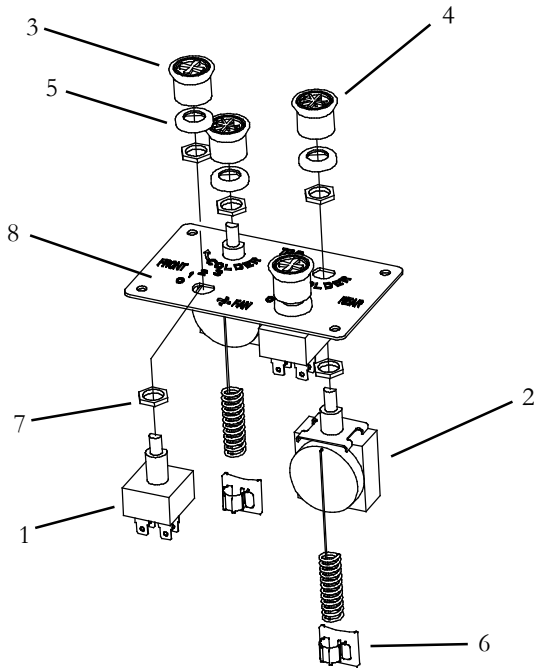
5.20 DRIVERS CONTROL PANEL KITS 77-62135-00, -01, -02, 03, -04 & -05



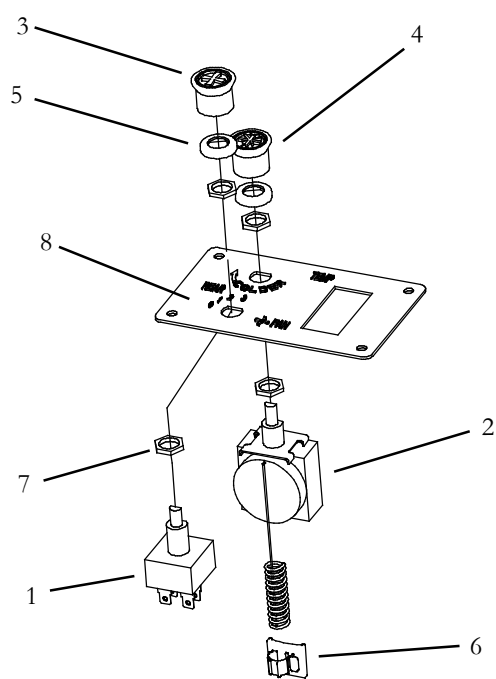
Item	Part Number	Description	Qty
-	77-62135-XX	Assembly, Drivers Control Panel, Consisting Of:	1
1	AC201-305Switch, Fan Speed	1
2	AC201-500Thermostat, Control With Double Nut	1
3	AC202-300Knob, Fan	1
4	AC202-303Knob, Snowflake	1
5	AC302-305Nut, Cover	NSI
6	AC701-206Clamp, Thermostat Coil	1
7	AC202-307 Nut, Hex, (Fan Speed Switch)	A/R
8	AC202-301Switch Plate, Mounting	1
9	AC201-902Wire Harness, Fan Speed Switch (77-62135-00 ONLY)	1
	22-62252-00Wire Harness, Fan Speed Switch (77-62135-01 ONLY)	1
	22-62122-00Wire Harness, Fan Speed Switch (77-62135-02 ONLY)	1
	Y25-00022-00Wire Harness, Fan Speed Switch (77-62135-05 ONLY)	1



5.21 DRIVERS CONTROL PANEL KITS 77-62135-06 & -07



Ref: 77- 62135- 06

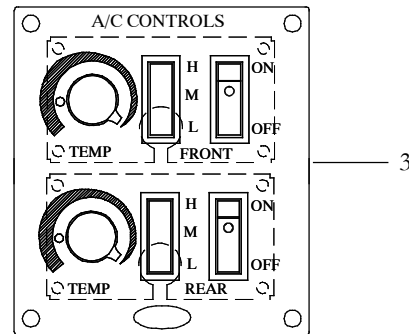
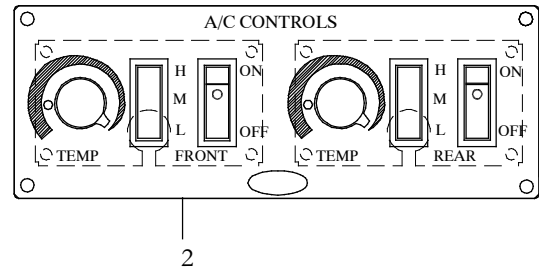
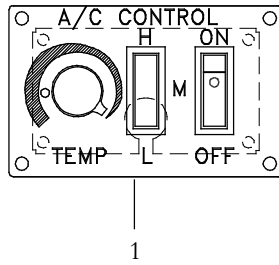
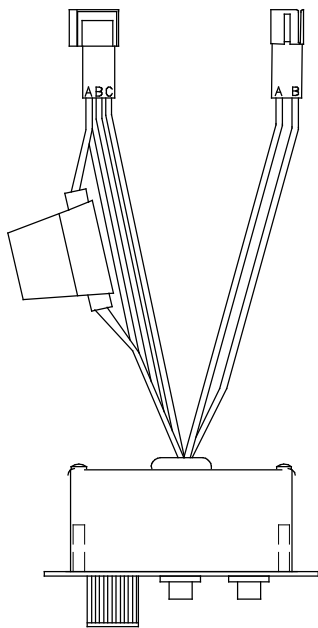


Ref: 77- 62135- 07

Item	Part Number	Description	Qty
-	77-62135-XX	Assembly, Drivers Control Panel, Consisting Of:	1
1	AC201-305Switch, Fan Speed	A/R
2	AC201-500Thermostat, Control With Double Nut	A/R
3	AC202-300Knob, Fan	A/R
4	AC202-303Knob, Snowflake	A/R
5	AC302-305Nut, Cover	NSI
6	AC701-206Clamp, Thermostat Coil	A/R
7	AC202-307 Nut, Hex, (Fan Speed Switch)	A/R
8	Y24-00196-00Switch Plate, Mounting (Dual Circuit)	1
	Y24-00196-01Switch Plate, Mounting (Single Circuit)	1

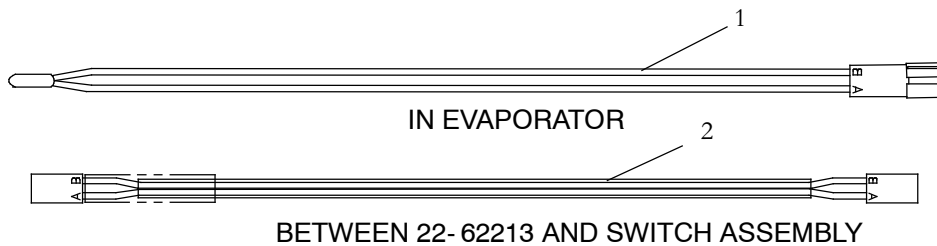


5.22 TEMPCON CONTROL PANELS



Item	Part Number	Description	Qty
1	22-62212-00	Switch Assembly, Tempcon, (Single)	1
2	22-62212-01	Switch Assembly, Tempcon, (Dual, Horizontal)	1
3	22-62212-02	Switch Assembly, Tempcon, (Dual, Vertical)	1

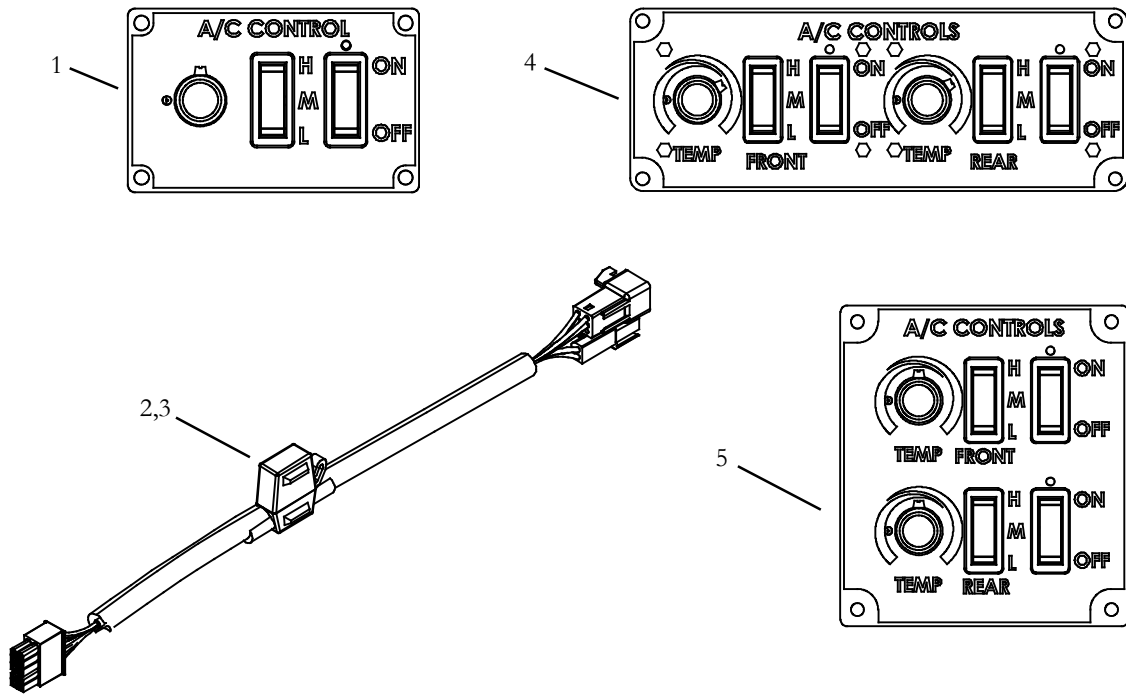
5.22.1 TEMPCON SENSOR ASSEMBLY (KITS)



Part Number	Description	Qty
1	22-62213-00 Sensor Assembly, Tempcon (13 Inch)	1
	22-62213-01 Sensor Assembly, Tempcon (46 Inch)	1
2	22-62214-30 Cable Assembly, Shielded, Tempcon, Florida Control (360 Inches)	1
	22-62214-58 Cable Assembly, Shielded, Tempcon, Florida Control (696 Inches)	1
	22-62214-68 Cable Assembly, Shielded, Tempcon, Florida Control (816 Inches)	1



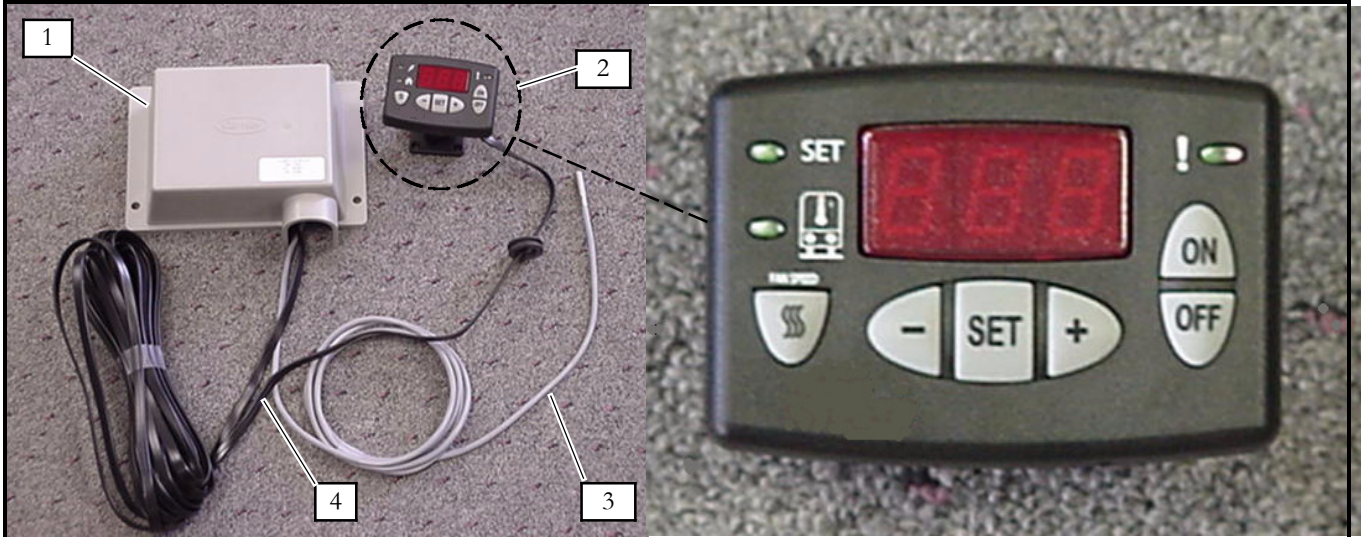
5.22.2 TEMPCON II CONTROL PANELS



Item	Part Number	Description	Qty
1	T35-1298	Switch Assembly, Tempcon, (Single), Includes:	1
2	T25-3756	Wire Harness, Fused, (W/O Fuse)	1
3	25-0568	Fuse, 3A	1
4	T35-1300	Switch Assembly, Tempcon, (Dual, Horizontal)	1
2	T25-3756	Wire Harness, Fused, (W/O Fuse)	2
3	25-0568	Fuse, 3A	2
5	T35-1299	Switch Assembly, Tempcon, (Dual, Vertical)	1
2	T25-3756	Wire Harness, Fused, (W/O Fuse)	2
3	25-0568	Fuse, 3A	2



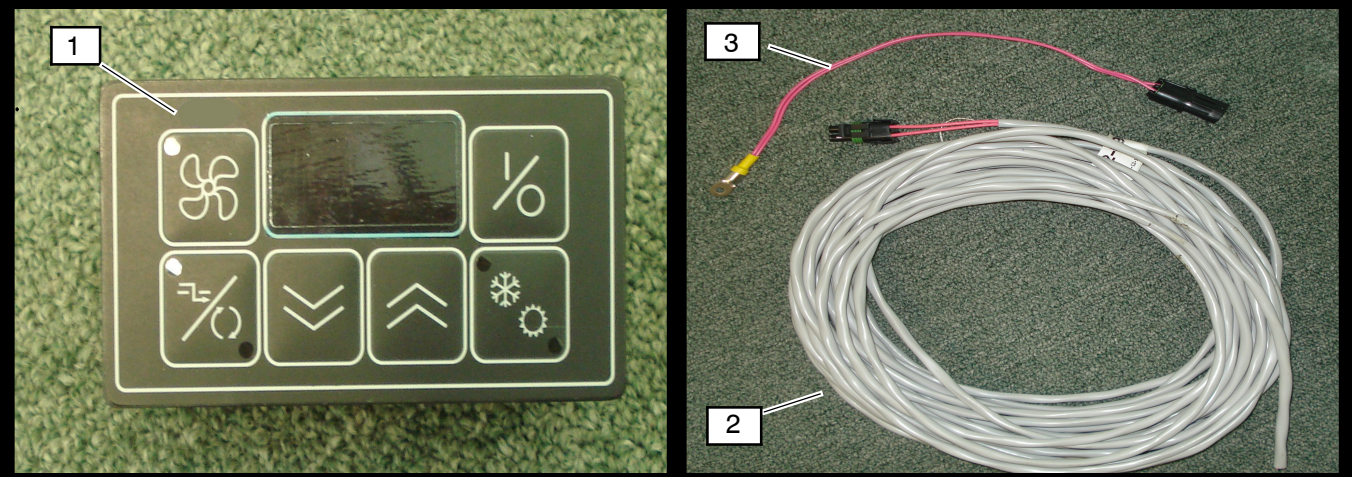
5.23 DRIVERS CONTROL PANEL, (TOTAL CONTROL)



Item	Part Number	Description	Qty
1	12-00567-00	Module, Logic	1
2	12-00570-00	Cab Command	1
3	12-00512-02	Sensor, Thermistor, (50 Ft.)	1
	12-00512-00	Sensor, Thermistor, (6.9 Ft.)	1
4	22-60551-07	Cable, Cab Command, (52 Ft.)	1
	22-60168-04	Cable, Cab Command, (32 Ft.)	1
	22-60168-03	Cable, Cab Command, (15 Ft.)	1
N/S	76-62139-00	Sensor Kit, Replacement, Includes:	1
	NSS Sensor, Thermistor (5 Ft.)	1
	NSS Butt Splice Connector, Insulated, (16-22 AWG)	2

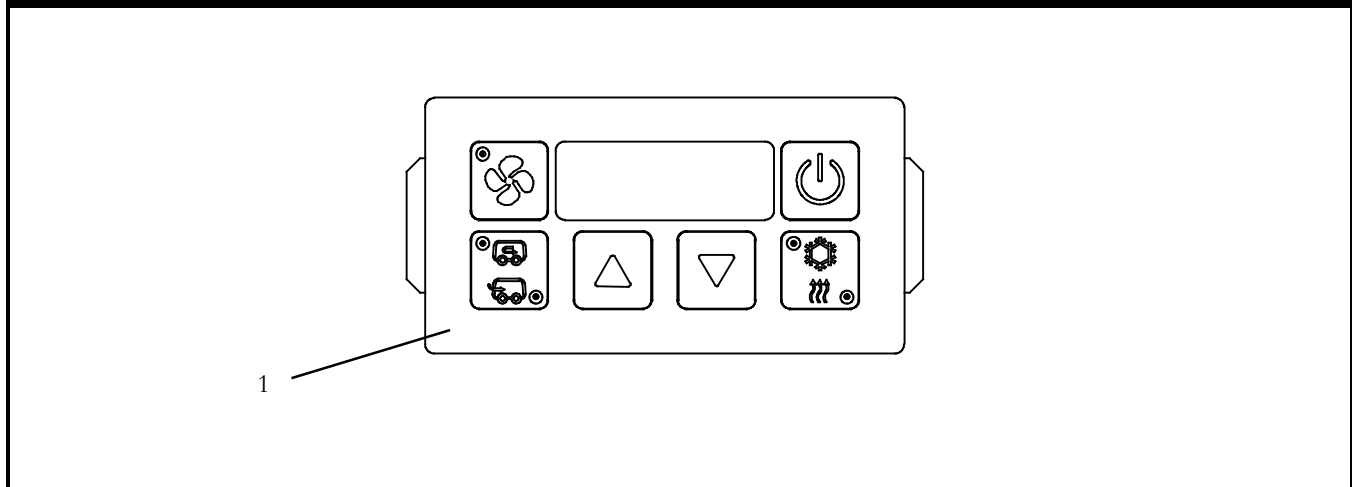


5.24 DRIVERS CONTROL PANEL, (EnviroMATE)



Item	Part Number	Description	Qty
1	12-00672-00	Display, EnviroMATE, Small Bus, Zone 1	1
	12-00672-01	Display, EnviroMATE, EM-17	1
	12-00672-02	Display, EnviroMATE, Rooftop, Brushless Motors (NSI)	1
	12-00672-03	Display, EnviroMATE, Small Bus, 2 Zone, GSA Qualified	1
2	22-62290-00	Cable Assembly, Thermistor/Sensor (55 ft.),	1
	22-62290-01	Cable Assembly, Thermistor/Sensor (30 ft.), (NSI)	1
	22-62290-02	Cable Assembly, Thermistor/Sensor (20 ft.), (NSI)	1
	22-62290-10	Cable Assembly, Thermistor/Sensor (4 ft.), TBB C2, (NSI)	1
3	12-00305-07	Sensor, Thermistor w/connector, (12")	1

5.25 DRIVERS CONTROL PANEL, (EnviroMATE II)



Item	Part Number	Description	Qty
1	35-1056	Display, EnviroMATE II, Single Transit Compressor	1



5.26 REPLACEMENT ELECTRICAL CONTROL PANELS, CROSS-REFERENCE MATRIX

A listing of obsolete relay panels can be found below with the current replacement relay panel identified. Individual components can be found in referenced sections listed in Sections 5.27 and 5.32.

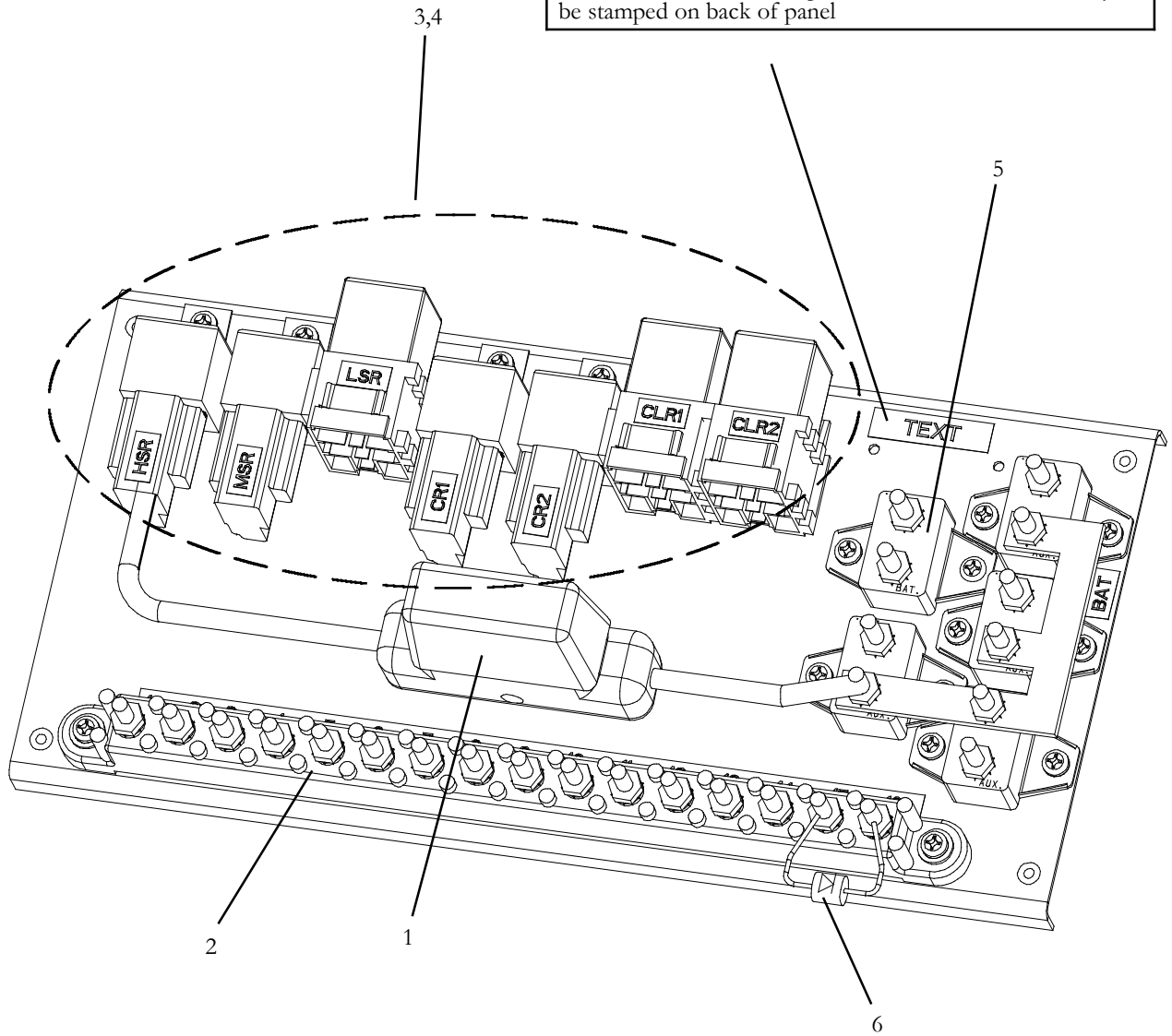
OLD ELECTRICAL PANEL	NEW ELECTRICAL PANEL
AC010-560	Y25-00012-00
AC010-561	
AC010-565	
91-62022-00	
91-62040-00	
AC010-566	Y25-00013-00
91-62017-00	
91-62046-00	
AC010-568	Y25-00014-00
AC010-570	
91-62018-00	
91-62019-00	
91-62023-00	
91-62045-00	
91-62052-00	

OLD ELECTRICAL PANEL	NEW ELECTRICAL PANEL
91-62027-00	Y25-00031-00
AC010-563	Y25-00032-00
91-62070-00	
91-62024-00	
91-62044-00	
91-62081-00	91-62110-00
91-62083-00	91-62111-00
91-62085-00	91-62112-00
91-62102-00	91-62113-00
91-62103-00	91-62114-00



5.27 ELECTRICAL CONTROL PANELS (TYPICAL)

NOTE: For Electrical Panel Assembly Part Number, refer to label shown. For older panels, Panel Part Number may be stamped on back of panel

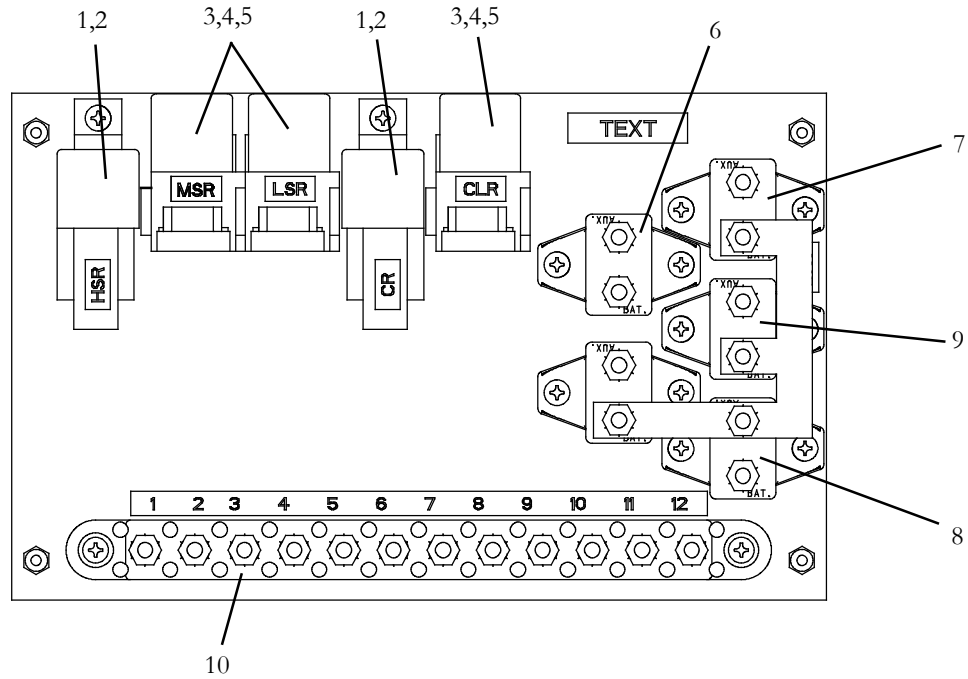


TYPICAL PANEL COMPONENTS
REFERENCE ONLY

Item	Description
1	Fuses and Fuse Holders, Refer to section 5.1 for proper replacement options
2	Terminal Boards, Refer to section 5.7 for proper replacement options
3	Relays, Refer to section 5.4 for proper replacement options
4	Relay Base Assemblies, Refer to sections 5.2 and 5.3 for proper replacement options
5	Circuit Breakers, Refer to section 5.6 for proper replacement options
6	Diodes, Refer to section 5.10 for proper replacement options



5.28 ELECTRICAL Panel, Y25-00012-00

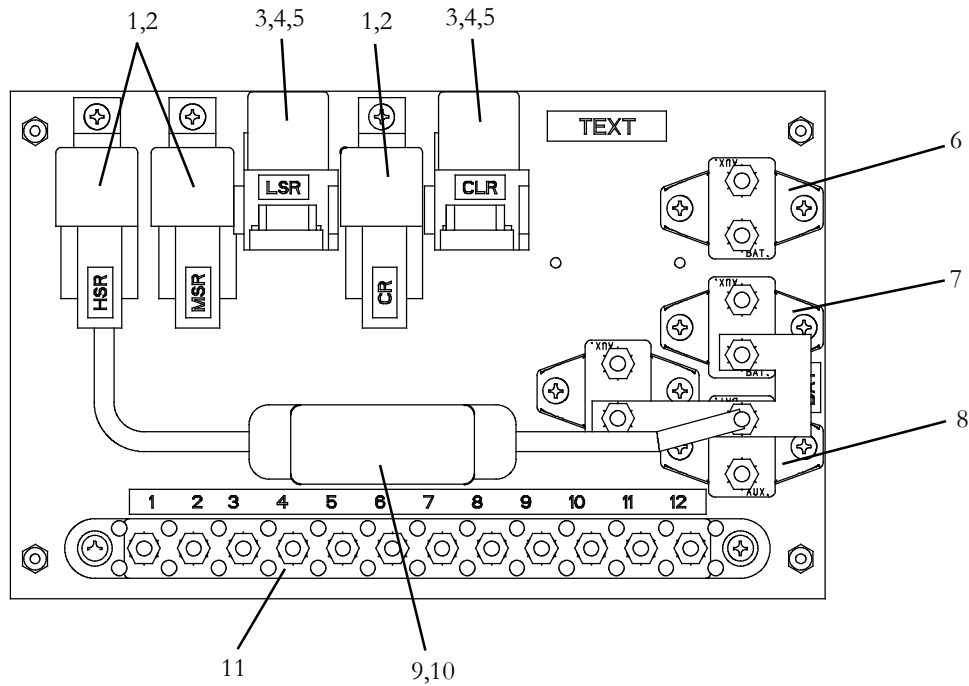


Used w/ 1EM w/1CM

Item	Description		
1	Y25-00089-00	Relay, 70A, 12VDC	2
2	22-50078-18	Connector, Relay Socket	2
3	Y25-00001-05	Relay, 50A, SPDT, 12VDC	3
4	AC201-901	Connector, Relay Socket	3
5	AC201-931	Connector Lock	3
6	AC201-105-1	Circuit Breaker, 10A Manual Reset	1
7	AC201-105	Circuit Breaker, 20A Manual Reset	1
8	AC201-112	Circuit Breaker, 40A Manual Reset	2
9	AC201-107	Circuit Breaker, 50A Manual Reset	1
10	22-02897-09	Junction Block, (12) #10-32	1



5.29 ELECTRICAL Panel, Y25-00013-00

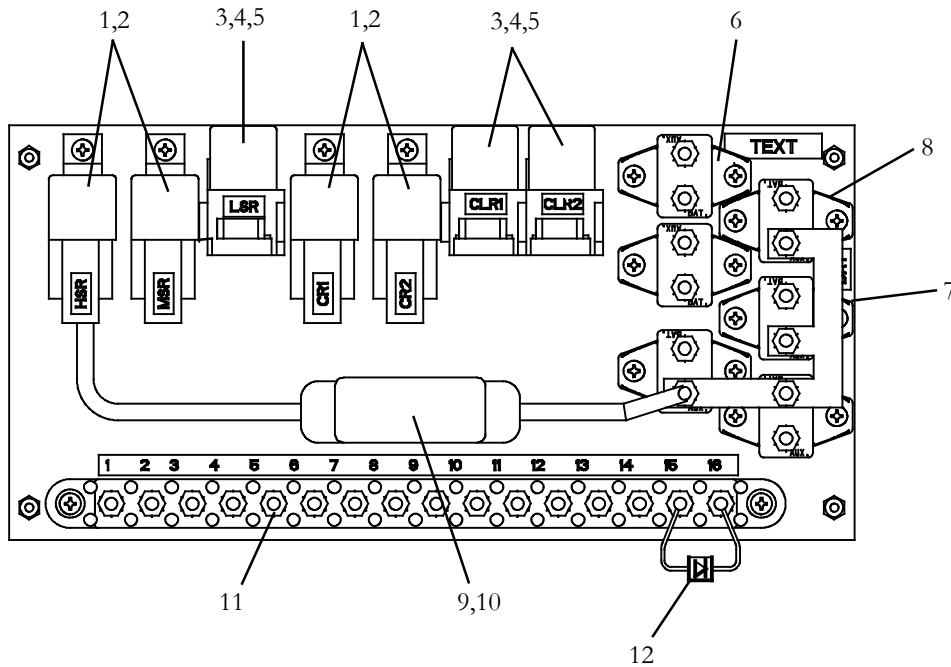


Used w/ 1 EM3 & 1 CM

Item	Description		
1	Y25-00089-00	Relay, 70A, 12VDC	3
2	22-50078-18	Connector, Relay Socket	3
3	Y25-00001-05	Relay, 50A, SPDT, 12VDC	2
4	AC201-901	Connector, Relay Socket	2
5	AC201-931	Connector Lock	2
6	AC201-105	Circuit Breaker, 20A Manual Reset	1
7	AC201-106	Circuit Breaker, 30A Manual Reset	1
8	AC201-112	Circuit Breaker, 40A Manual Reset	2
9	22-62110-00	Fuse Holder	1
10	22-02336-17	Fuse, 60A	1
11	22-02897-09	Junction Block, (12) #10-32	1



5.30 ELECTRICAL Panel, Y25-00014-00

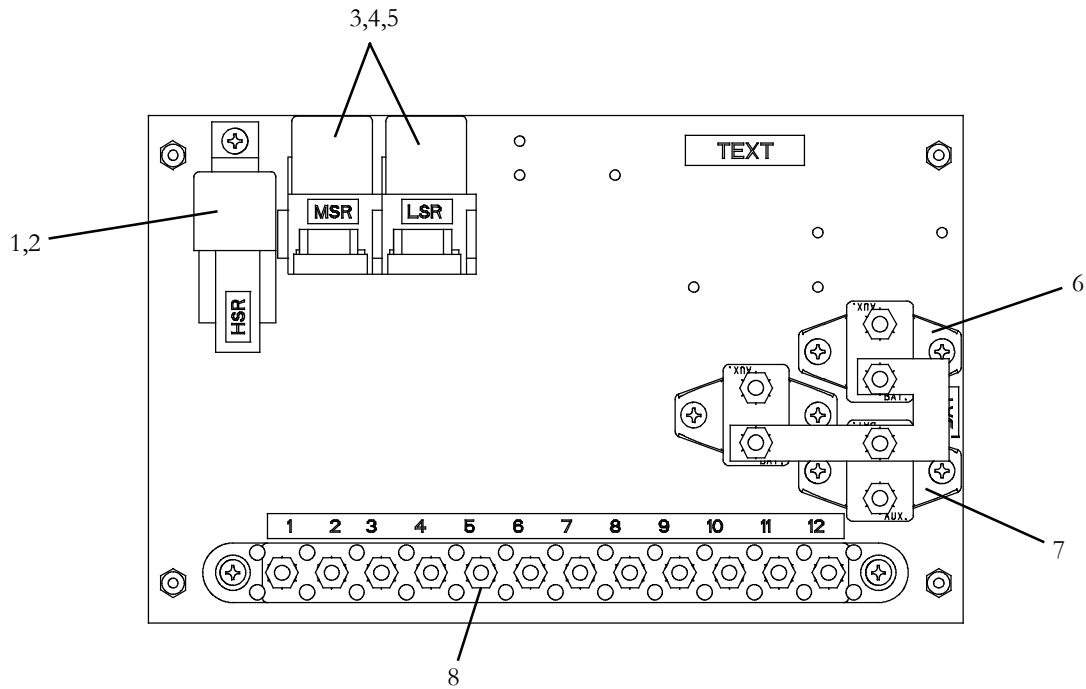


Used w/ EM3 and 2 CM

Item	Description		
1	Y25-00089-00	Relay, 70A, 12VDC	4
2	22-50078-18	Connector, Relay Socket	4
3	Y25-00001-05	Relay, 50A, SPDT, 12VDC	3
4	AC201-901	Connector, Relay Socket	3
5	AC201-931	Connector Lock	3
6	AC201-105	Circuit Breaker, 20A Manual Reset	2
7	AC201-106	Circuit Breaker, 30A Manual Reset	1
8	AC201-112	Circuit Breaker, 40A Manual Reset	3
9	22-62110-00	Fuse Holder	1
10	22-02336-17	Fuse, 60A	1
11	22-02897-13	Junction Block, (16) #10-32	1
12	AC201-600	In-Line Diode, 6 AMP	1



5.31 ELECTRICAL Panel, Y25-00031-00



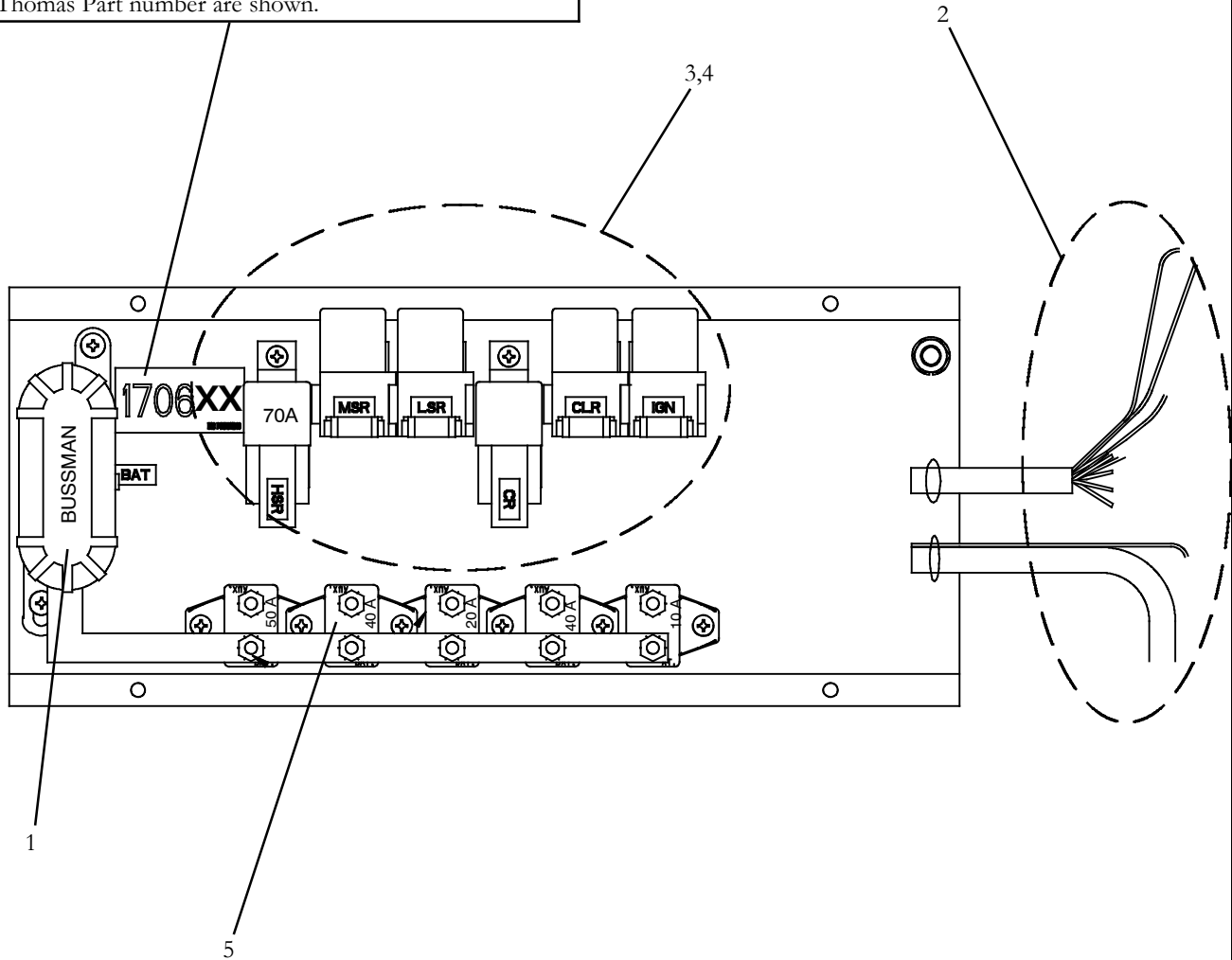
Used w/ Add On Evaporator

Item	Description		
1	Y25-00089-00	Relay, 70A, 12VDC	1
2	22-50078-18	Connector, Relay Socket	1
3	Y25-00001-05	Relay, 50A, SPDT, 12VDC	2
4	AC201-901	Connector, Relay Socket	2
5	AC201-931	Connector Lock	2
6	AC201-105	Circuit Breaker, 20A Manual Reset	2
7	AC201-112	Circuit Breaker, 40A Manual Reset	1
8	22-02897-09	Junction Block, (12) #10-32	1



5.32 ELECTRICAL CONTROL PANELS (THOMAS)

NOTE: For Electrical Panel Assembly Part Number, refer to label shown. MCC Part number, as well as Thomas Part number are shown.

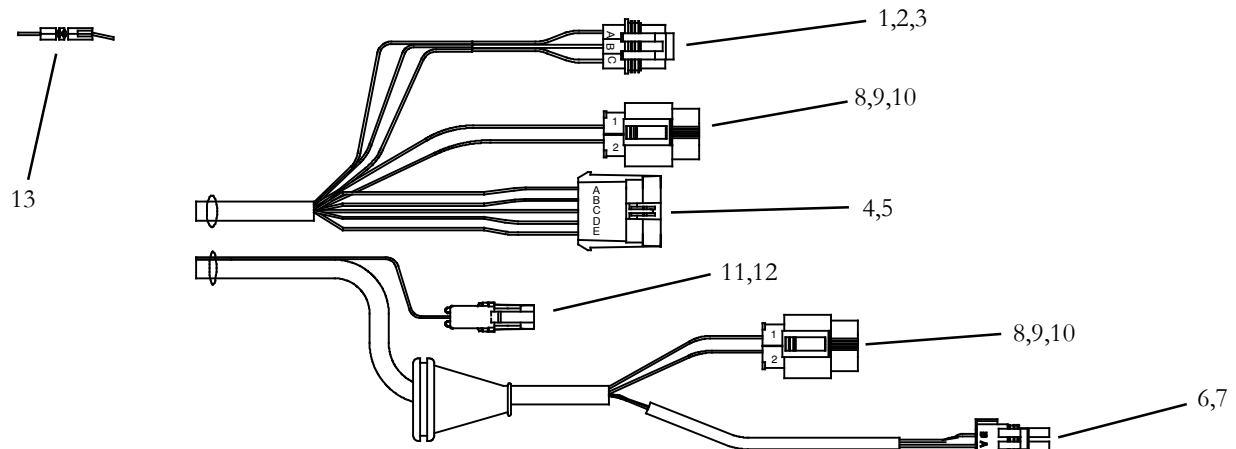


TYPICAL PANEL COMPONENTS
REFERENCE ONLY

Item	Description
1	Fuses and Fuse Holders, Refer to section 5.1 for proper replacement options
2	Harness Connectors, Refer to section 5.33 for proper replacement options
3	Relays, Refer to section 5.4 for proper replacement options
4	Relay Base Assemblies, Refer to sections 5.2 and 5.3 for proper replacement options
5	Circuit Breakers, Refer to section 5.6 for proper replacement options



5.33 ELECTRICAL HARNESS Replacement Parts (THOMAS)

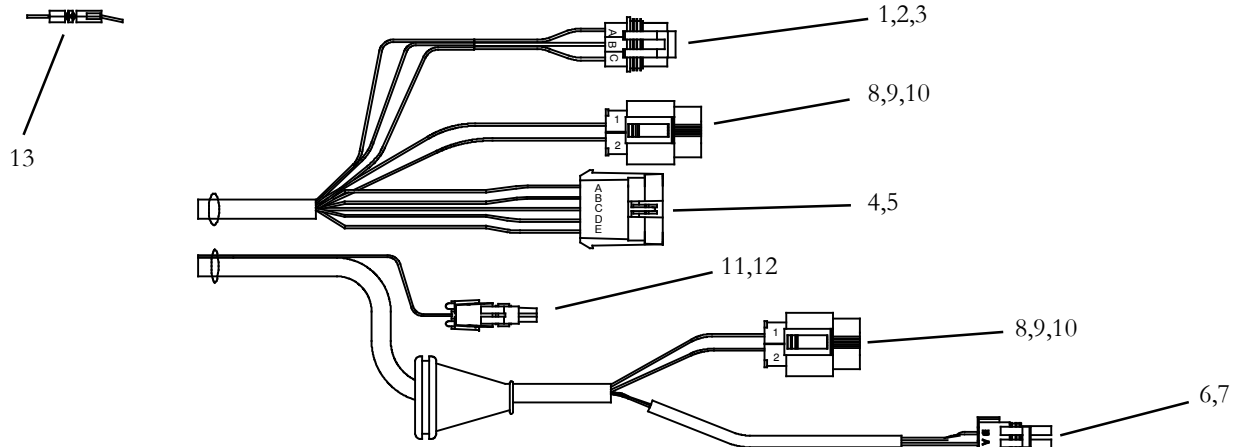


MCC Panel # 91-62113
Thomas Panel # 170623

Item	Description		
1	22-50078-87	Connector, Female, 3 Pin, Black	1
2	22-50078-49E	Terminal, Female, 18-20 AWG	2
3	22-50078-49H	Terminal, Female, 10-12 AWG	1
4	22-50078-45	Connector, Male, 10 Pin, Black	1
5	22-50078-46A	Terminal, Male, 16-18 AWG	7
6	22-01585-02	Connector, Female, 2 Pin, Black	1
7	22-02393-01	Terminal, Male, 18-20 AWG	2
8	22-50098-71	Connector, Female, 2 Pin, Black	2
9	22-50098-71B	Terminal, Female, 8 AWG	3
10	22-50098-71A	Terminal, Female, 10-12 AWG	1
11	22-50078-64	Connector, Male, 1 Pin, Black	1
12	22-02393-01	Terminal, Male, 18-20 AWG	2
13	AC201-600	In-Line Diode, 6 AMP	2



5.33 ELECTRICAL HARNESS Replacement Parts (THOMAS) : Continued

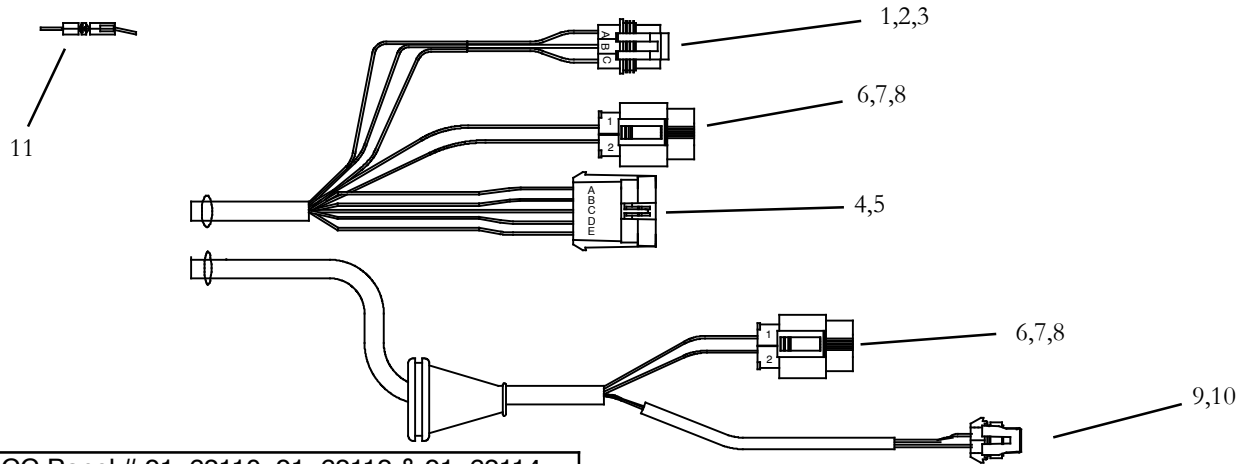


MCC Panel # 91-62111
Thomas Panel # 170622

Item	Description		
1	22-50078-87	Connector, Female, 3 Pin, Black	1
2	22-50078-49E	Terminal, Female, 18-20 AWG	2
3	22-50078-49H	Terminal, Female, 10-12 AWG	1
4	22-50078-45	Connector, Male, 10 Pin, Black	1
5	22-50078-46A	Terminal, Male, 16-18 AWG	7
6	22-01585-02	Connector, Female, 2 Pin, Gray	1
7	22-02393-01	Terminal, Male, 18-20 AWG	2
8	22-50098-71	Connector, Female, 2 Pin, Black	2
9	22-50098-71B	Terminal, Female, 8 AWG	3
10	22-50098-71A	Terminal, Female, 10-12 AWG	1
11	22-50078-63	Connector, Female, 1 Pin, Black	1
12	22-50078-58F	Terminal, Female, 18-20 AWG	1
13	AC201-600	In-Line Diode, 6 AMP	2



5.33 ELECTRICAL HARNESS Replacement Parts (THOMAS) : Continued

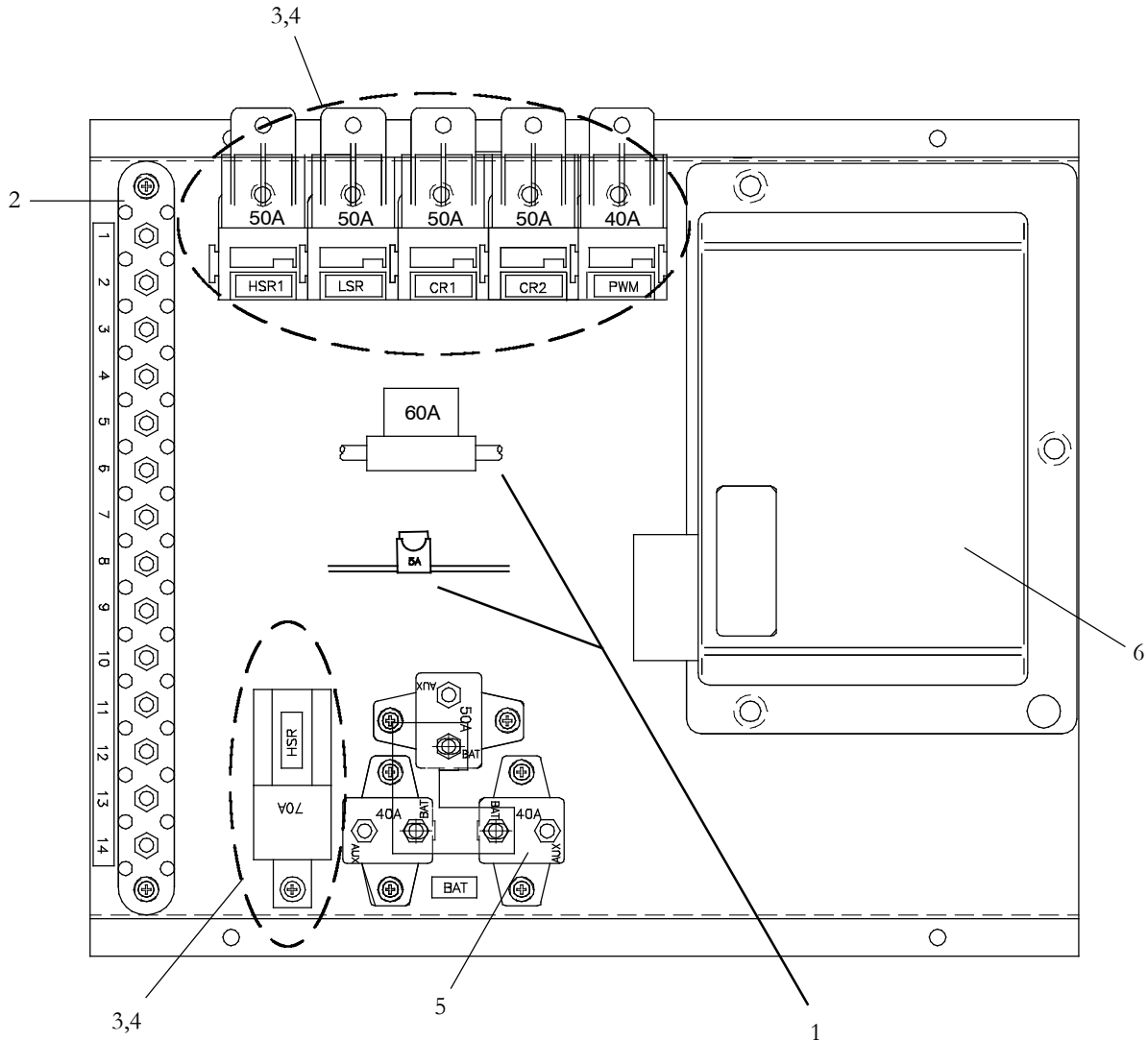


MCC Panel # 91- 62110, 91- 62112 & 91- 62114
 Thomas Panel # 170619, 170621 & 170620

Item	Description		
1	22-50078-87	Connector, Female, 3 Pin, Black: Uses	1
2	22-50078-49E	Terminal, Female, 18-20 AWG	2
3	22-50078-49H	Terminal, Female, 10-12 AWG	1
4	22-50078-45	Connector, Male, 10 Pin, Black: Uses	1
5	22-50078-46A	Terminal, Male, 16-18 AWG	7
6	22-50098-71	Connector, Female, 2 Pin, Black	2
7	22-50098-71B	Terminal, Female, 8 AWG	3
8	22-50098-71A	Terminal, Female, 10-12 AWG	1
9	22-50078-73	Connector, Female, 2 Pin, Black	1
10	22-50078-46B	Terminal, Female, 16-18 AWG	2
11	AC201-600	In-Line Diode, 6 AMP	1



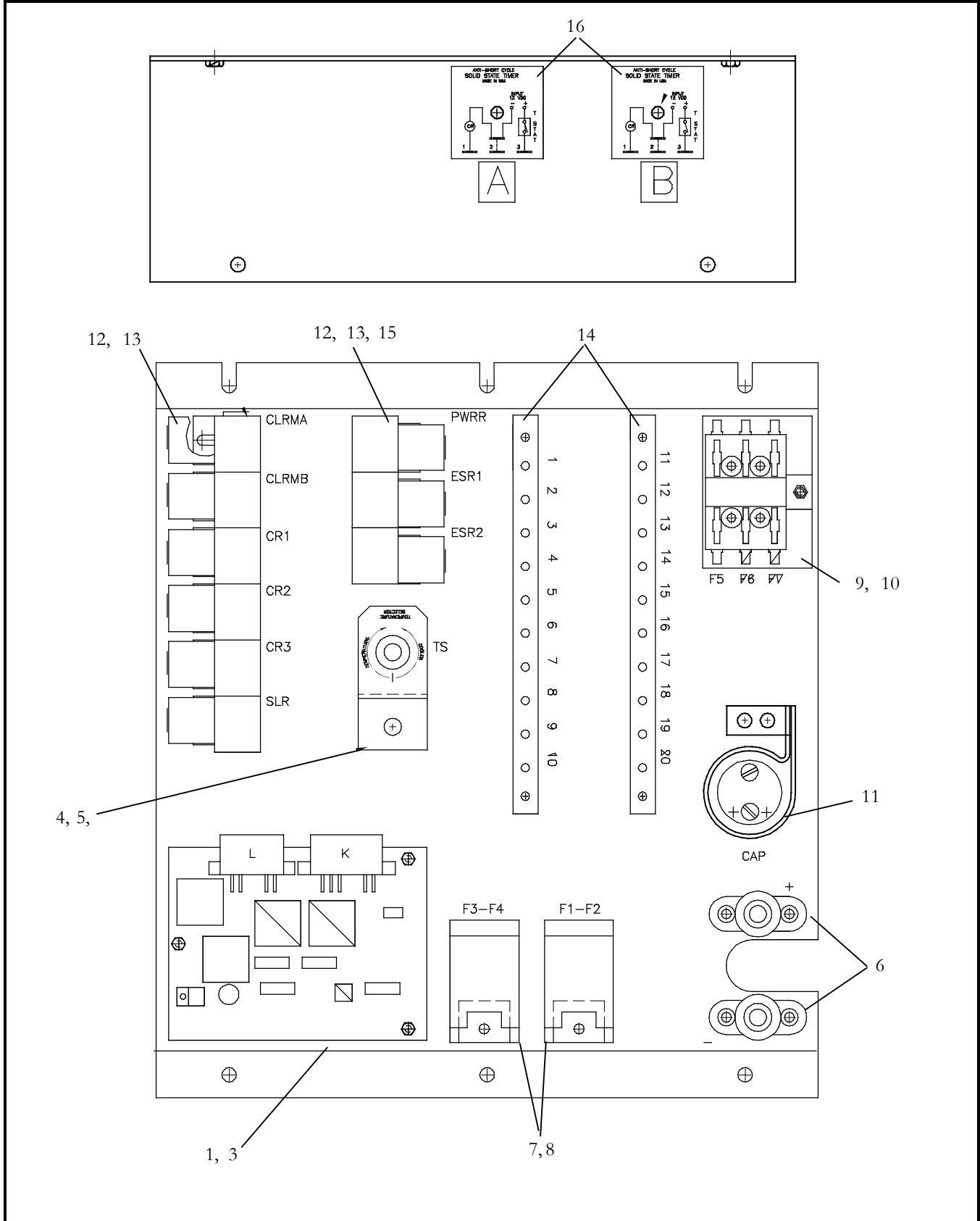
5.34 PANEL ASSEMBLIES, TOTAL CONTROL (TYPICAL)



Item	Part Number	Description	Qty
1		Fuses and Fuse Holders, Refer to section 5.1 for proper replacement options	
2		Terminal Boards, Refer to section 5.7 for proper replacement options	
3		Relays, Refer to section 5.4 for proper replacement options	
4		Relay Base Assemblies, Refer to sections 5.2 and 5.3 for proper replacement options	
5		Circuit Breakers, Refer to section 5.6 for proper replacement options	
6		Module, Logic Refer to section 5.23 for proper replacement options	



5.35 CONTROL PANEL, EM-17 SPLIT, KR-4D, (24 VDC)

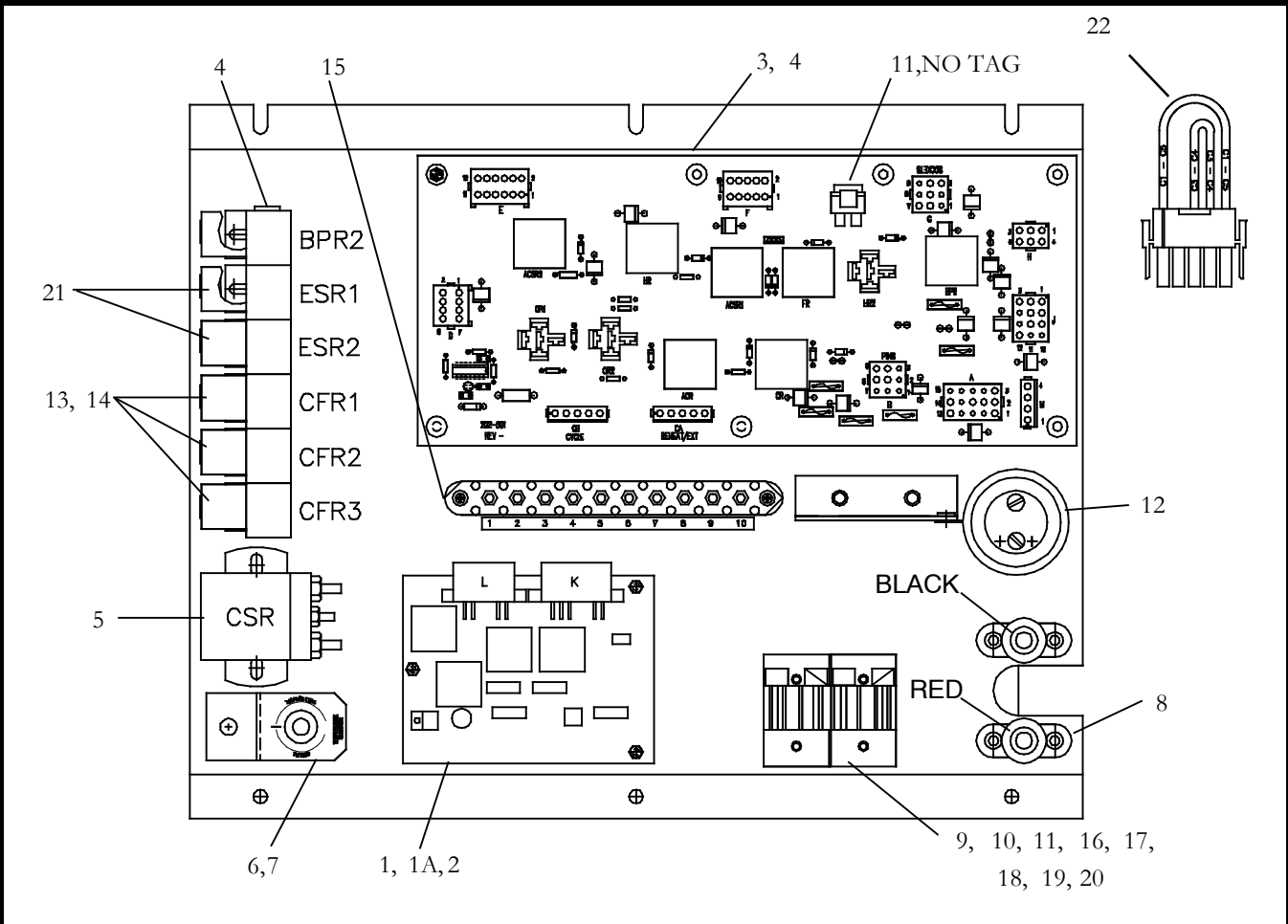




5.35 CONTROL PANEL, EM-17 SPLIT, KR-4D, (24 VDC) - Continued:			
Item	Part Number	Description	Qty
NSI	91-62035-00	Assembly Panel, EM-17 Split, KR-4D, (24 VDC) - (Above), Includes:	1
1	12-00657-00	Controller, Temp-4 Relay, W/O Box - Includes:	1
2	10-00286-09	Relay, SPDT, 40Amp, 24V	4
3	AC201-508	Return Air Probe	1
4	10-00311-00	Temperature Selector	1
5	10-00312-00	Knob, Temperature Selector	1
6	22-50098-91A	Stud-Type, Junction Block, (3/8-16)	2
7	22-01828-00	Fuse Holder (For 22-02336-16)	4
8	22-02336-16	Fuse, 40 Amp, (Use With Fuse Holder 22-01828-00)	4
9	22-01827-01	Fuse Holder, 6 PC. Common Ground, (For AC201-123)	1
10	22-02336-06	Fuse, 15 Amp, (ATC)	3
11	AC201-634	Capacitor, 50 VDC, 18,000 Micro F.	1
12	AC201-901	Connector, Relay Socket	10
13	AC201-931	Lock, Packard Connector	10
14	22-02897-07	Terminal Board, 10 Position	2
15	10-00286-03	Relay, 12 VDC, 30 Amp	3
16	10-00436-01	Lockout, Timer, 24 VDC	2



5.36 CONTROL PANEL, EM-17 & CM-5, (WITH HEAT)



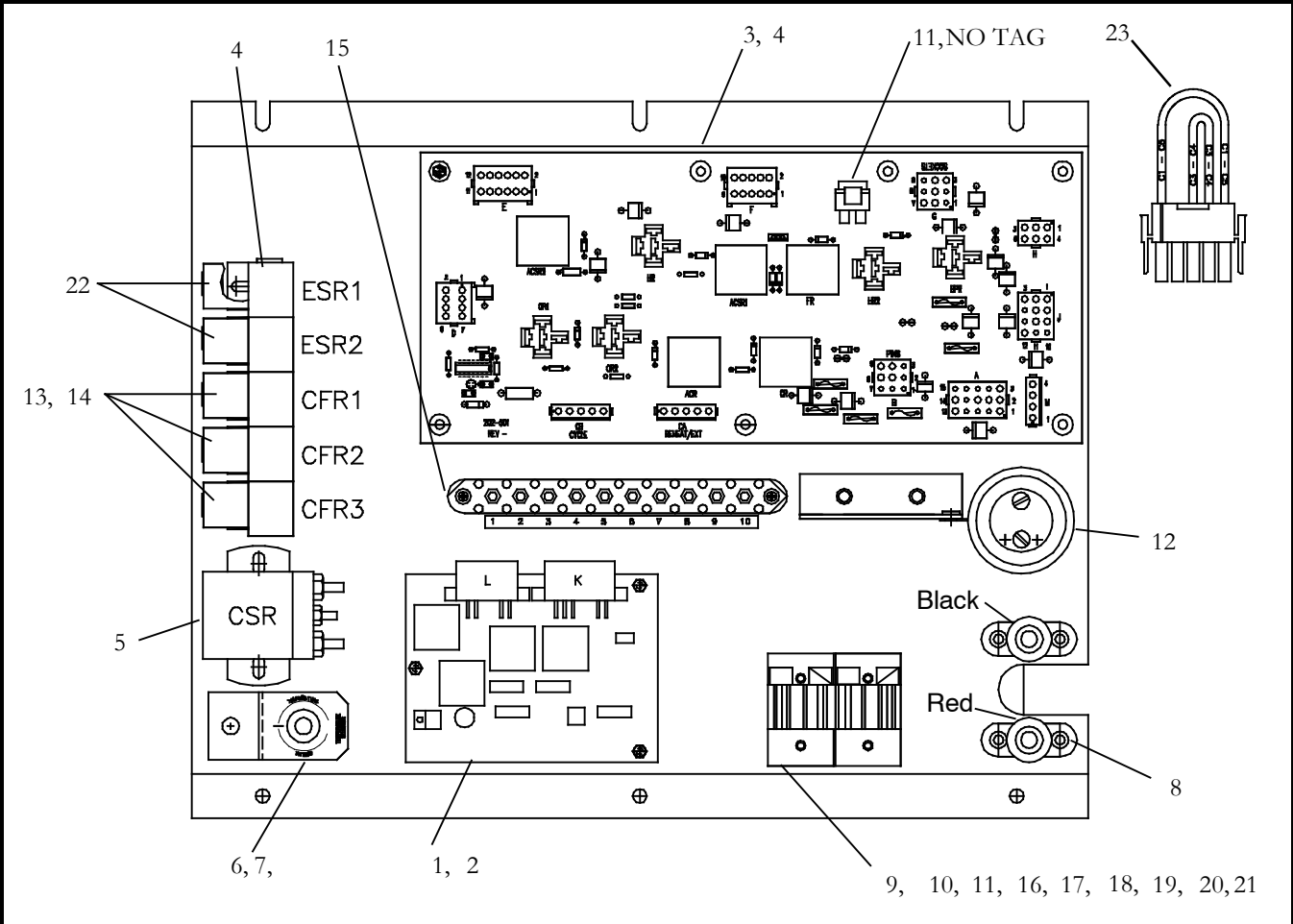
Item	Part Number	Description	Qty
NSI	91-62011-01	Assembly, Panel, EM-17 With CM-5, (With Heat), Above, Includes:	1
1	12-00657-00	Controller, Temp-4 Relay, W/O Box - Includes:	1
1A	10-00286-09	Relay, Single Pole, Double Throw, (24 VDC)	4
2	AC201-508	Return Air Probe	1
3	AC202-501	Relay Board, Fused	1
4	10-00286-09	Relay, Single Pole, Double Throw, (24 VDC)	13
5	10-00300-02	Solenoid, Normally Open (N.O.), 28 VDC	1
6	10-00311-00	Temperature Selector	1
7	10-00312-00	Knob, Temperature Selector	1
8	10-50052-00	Junction Block, Stud-Type, (3/8-16) Black	1
	10-50052-01	Junction Block, Stud-Type, (3/8-16) Red	1
9	22-02336-16	Fuse, 40 Amp, (Use With Fuse Holder 22-01828)	2
10	22-02336-17	Fuse, 60 Amp, (Use With Fuse Holder 22-01828)	1
11	22-02336-06	Fuse, 15 Amp, (ATC)	6
12	AC201-634	Capacitor, 50 VDC, 18,000 Micro F.	1
13	AC201-901	Connector, Relay Socket	4
14	AC201-931	Lock, Packard Connector	4



5.36 CONTROL PANEL, EM-17 & CM-5, (WITH HEAT) - Continued:			
Item	Part Number	Description	Qty
15	22-02897-07	Terminal Board, 10 Position	1
16	22-62036-00	Fuse Holder, 7 Position	1
17	22-62037-00	Maxifuse Holder, 4 Position	1
18	22-62039-01	Secondary Lock, (22-62036-00)	12
19	22-62039-02	Secondary Lock, (22-62037-00)	6
20	22-62040-00	Locking Wedge, (Fuse Holder)	2
21	22-62216-00	Connector/Lock Assembly, RElay, With Wiring (ESR) - Includes:	2
21A	AC201-901	Connector, Relay	1
21B	AC201-931	Lock, Connector, Relay	1
22	AC202-502	Connector, Reheat/Cycle, Jumper	1



5.37 CONTROL PANEL, EM-17 & CM-5 (W/O HEAT)



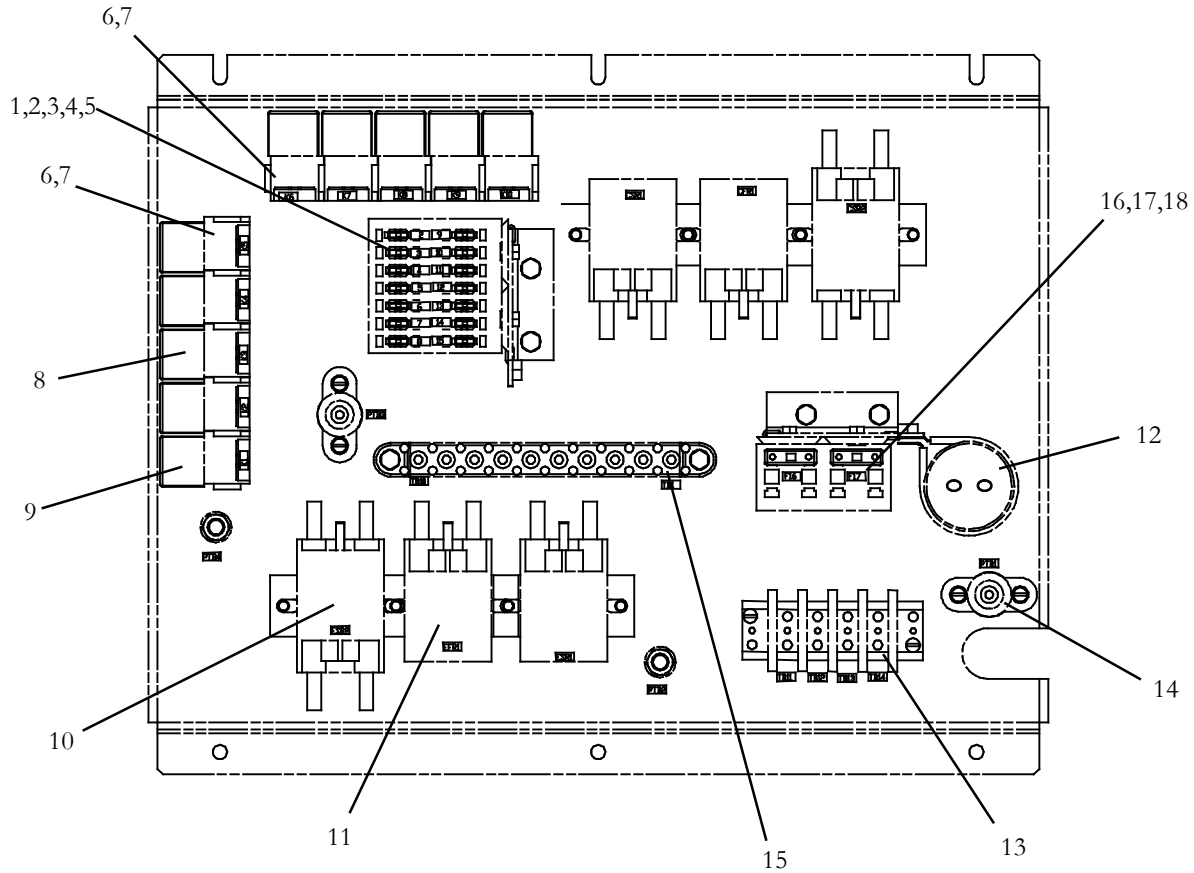
Item	Part Number	Description	Qty
NSI	91-62011-00	Assembly, Panel, EM-17 With CM-5, Shown Above, Includes:	1
1	12-00657-00	Controller, Temp-4 Relay, W/O Box - Includes:	1
1A	10-00286-09	Relay, Single Pole, Double Throw, (24 VDC)	4
2	AC201-508	Return Air Probe	1
3	AC202-501	Relay Board, Fused	1
4	10-00286-09	Relay, Single Pole, Double Throw, (24 VDC)	10
5	10-00300-02	Solenoid, Normally Open (N.O.), 28 VDC	1
6	10-00311-00	Temperature Selector	1
7	10-00312-00	Knob, Temperature Selector	1
8	10-50052-00	Junction Block, Stud-Type, (3/8-16) Black	1
	10-50052-01	Junction Block, Stud-Type, (3/8-16) Red	1
9	22-02336-16	Fuse, 40 Amp, (Use With Fuse Holder 22-01828)	2
10	22-02336-17	Fuse, 60 Amp, (Use With Fuse Holder 22-01828)	1
11	22-02336-06	Fuse, 15 Amp, (ATC)	6
12	AC201-634	Capacitor, 50 VDC, 18,000 Micro F.	1
13	AC201-901	Connector, Relay Socket	3
14	AC201-931	Lock, Packard Connector	3



5.37 CONTROL PANEL, EM-17 & CM-5 - (W/O HEAT) Continued:			
Item	Part Number	Description	Qty
15	22-02897-07	Terminal Board, 10 Position	1
16	22-62036-00	Fuse Holder, 7 Position	1
17	22-62037-00	Maxifuse Holder, 4 Position	1
18	22-62038-00	Mounting Bracket, (Fuse Holder)	2
19	22-62039-01	Secondary Lock, (22-62036-00)	12
20	22-62039-02	Secondary Lock, (22-62037-00)	6
21	22-62040-00	Locking Wedge, (Fuse Holder)	2
22	22-62216-00	Connector/Lock Assembly, Relay, With Wiring (ESR) - Includes:	2
22A	AC201-901	Connector, Relay	1
22B	AC201-931	Lock, Connector, Relay	1
23	AC202-502	Connector, Reheat/Cycle, Jumper	1



5.38 CONTROL PANEL, EM-17 & KR4, 91-62011-04

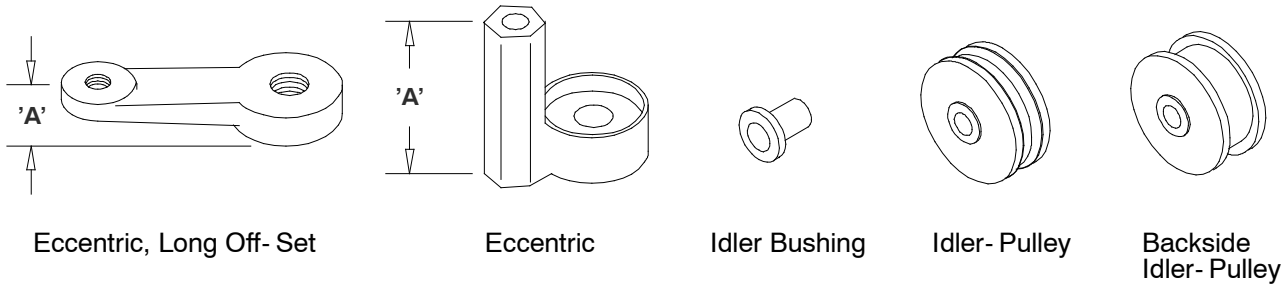


Item	Part Number	Description	Qty
NSI	91-62011-04	Assembly, Panel, EM-17 With KR-4, Shown Above, Includes:	1
1	22-62036-00	Fuse Holder, ATC	2
2	22-62040-00	Secondary Lock, Wedge, Fuse Holder	2
3	22-62039-01	Secondary Lock, Fuse Holder	28
4	22-02336-21	Fuse, 5 Amp	8
5	22-02336-06	Fuse, 15 Amp	6
6	AC201-901	Connector, Relay Socket	10
7	AC201-931	Lock	10
8	10-00286-13	Relay, 24VDC	9
9	10-00286-07	Relay, 12VDC	1
10	10-00300-07	Contactors, 28 VDC, N.O.	2
11	10-00300-02	Contactors, 28 VDC, N.O.	4
12	AC201-634	Capacitor, 50 V, 18,000 micro f	1
13	22-62100-03	Terminal Block, 4 Position	1
14	22-50098-91	Junction Block, Stud-Type, (3/8-16) Red	2
15	22-02897-07	Terminal Block, 10 Position	1
16	22-62037-00	Fuse Holder, Maxi	1
17	22-62237-00	Secondary Lock, Fuse Holder	4
18	22-02336-16	Fuse, 40 Amp, Maxi	2



SECTION 6 - ENGINE KIT PARTS

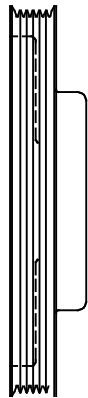
6.1 BUSHINGS - IDLERS - ECCENTRICS - FAN SPACERS



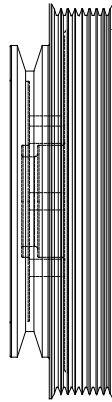
Part Number	Description
AC601-525	Eccentric, "A" Dimension, 3/4 inch, Long Offset
AC601-505	Eccentric, "A" Dimension, 1-1/8 inch
AC601-522	Eccentric, "A" Dimension, 1-3/16 inch, Long Offset
AC601-527	Eccentric, "A" Dimension, 1-1/4 inch, Center Hole Tapped
AC601-511	Eccentric, "A" Dimension, 2 inch
AC601-525	Eccentric, "A" Dimension 3/4 Inch, Long Off-Set, (Drilled Thru) (AC601-525-1)
AC601-519	Bushing, Idler, 3/8 inch Bolt
AC601-508	Bushing, Idler, 7/16 inch Bolt
AC601-520	Bushing, Idler, 1/2 inch Bolt
48-62013-00	Bushing, Idler, 8MM Bolt
AC601-545	Bushing, Idler, Double Bearing, 10mm
AC601-500	Idler, Kit, Single Groove, 3-3/4 inch Diameter
AC601-542	Idler, Pulley, Backside, 2-7/8 inch Diameter
AC601-528	Idler, Pulley, Backside, Single, 3-1/4 inch Diameter
AC051-586	Idler, Pulley, Backside, Dual, 3-5/8 inch Diameter
AC601-538	Idler, Pulley, Single, "A" Groove, 3-3/4 inch Diameter
50-62051-00	Idler, Pulley, Poly V, 6-Groove, Single, 3-1/4 inch Diameter
AC601-548	Spacer, Fan, 1 inch, 6CTA, 8.3 Cummins, (NSI)
AC601-524	Bolt, Shoulder, Single Bearing Idler
AC601-547	Manifold Assembly, Ford, 7.3 Liter, (Seltec)



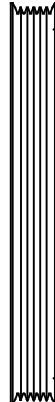
6.2 PULLEYS



50-62014-00



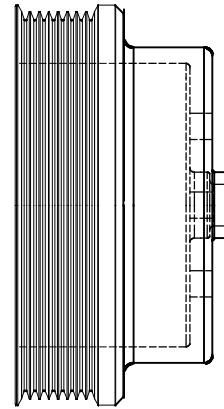
50-62029-00



50-62009-00



50-62011-00

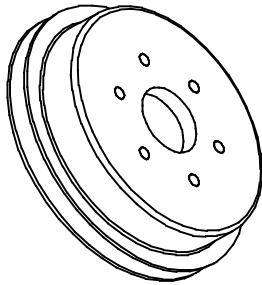


50-62025-00

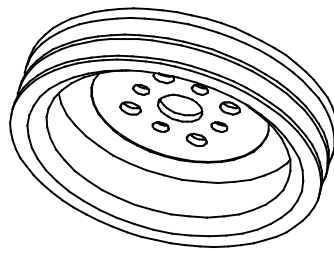
Part Number	Description
AC601-336	Pulley, Crank, Dual "B" Groove, (Cummins 6BT)
AC051-1116P	Pulley, Crank, Dual "A" Groove, Add-On, (94 I.H. T444E)
AC051-1111P	Pulley, Water Pump, Backside, Add-On, (I.H. 444E)
AC051-1112P	Pulley, Water Pump, Backside, (I.H. 444E)
50-62002-00	Pulley, Crank, 6 BTA, 2 B-Grooves
50-62003-00	Pulley, Dual, Water Pump, Navistar, T444E
50-62005-00	Pulley, Crank, 94-97 T444E Conventional
50-62006-00	Pulley, Crank, Cummins, 6BT - 6BTA
50-62007-00	Pulley, Add-On, 97 Ford, 6.8L - V10
50-62009-00	Pulley, Add-On Fan Idler, Cat 3126
50-62009-02	Pulley, Fan Idler, Add-On, 2002 Cat 3126
50-62011-00	Pulley, Idler, 2 B-Grooves
50-62012-00	Pulley, Crank, Poly-V6, IH, DT466/530
50-62014-00	Pulley, Crank, 6 Groove Poly-V, T444E I.H.
50-62017-00	Pulley, Backside Idler
50-62025-00	Pulley, Poly-V, 8 Groove, Fan Hub, Add-On, Cat 3126



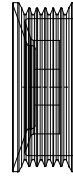
6.3 PULLEYS



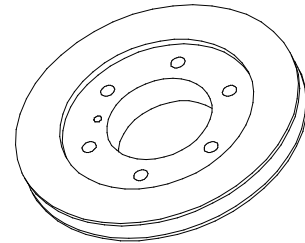
50-62031-00



50-62041-00

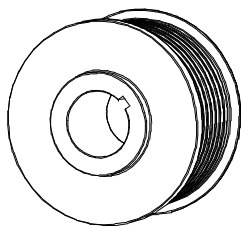


50-62051-00

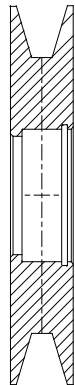


50-62054-00

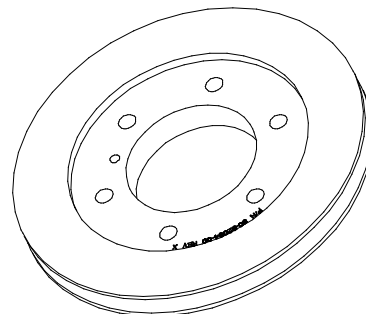
Part Number	Description
50-62029-00	Pulley, Fan Hub Add-On, 8 Groove Poly-V & "A" Groove, Painted Black, (Mercedes)
50-62031-00	Pulley, Cat 3126 & C7, VGR
50-62032-00	Pulley, Crank, Add-On, 466, V-Belt
50-62040-00	Pulley, Crank, Add-On, ISB02, 2 B-Grooves
50-62041-00	Pulley, 2 A-Grooves, 7.00" Dia.
50-62045-00	Pulley, Idler, Backside, 4.5" OD X 1.75"
50-62045-01	Pulley, Idler, Backside, 4.5" OD X 1.75" (Larger Bearing)
50-62048-00	Pulley, Crank, Add-On, 04 Ford, 6.0L, 6 Groove Poly-V
50-62049-00	Pulley, Backside Idler, Stamped Steel (Goodyear)
50-62051-00	Pulley, Idler, Poly-V, 6 Groove
50-62054-00	Pulley, Crank, Add-On, B-Groove
50-62056-00	Pulley, Pentex, Alternator, 8-Groove, Pentex



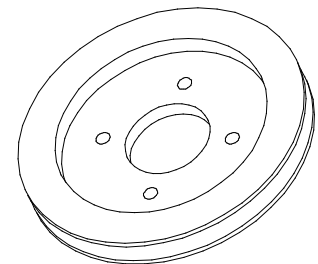
50-62056-00



50-62057-00



50-62064-00

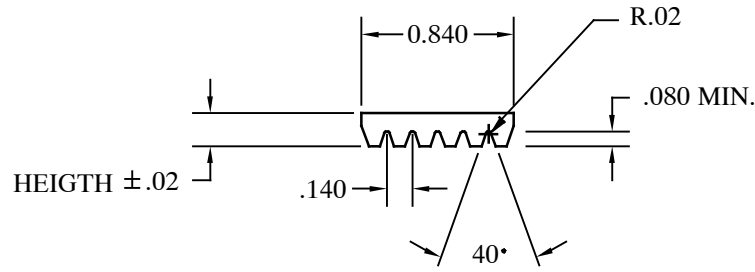


50-62066-00

50-62057-00	Pulley, Idler, 4.5" OD X 0.75", B-Groove
50-62059-00	Pulley, Water Pump, 6 Groove, Add-On
50-62064-00	Pulley, Crank, 05 ICRE 300, 1 A-Groove
50-62066-00	Pulley, Engine, 05 CE200, 365
50-62069-00	Pulley, Idler, Backside, Stamped Steel (Dayco)
50-62070-00	Pulley, Idler, Backside, 6.00" OD X 1.75"
50-62070-01	Pulley, Idler, Backside, 6.00" OD X 1.75", (Larger Bearing)
50-62072-00	Pulley, Idler, Dual, A-Groove
50-62073-00	Pulley, Idler, Backside, Stamped Steel (Ford)



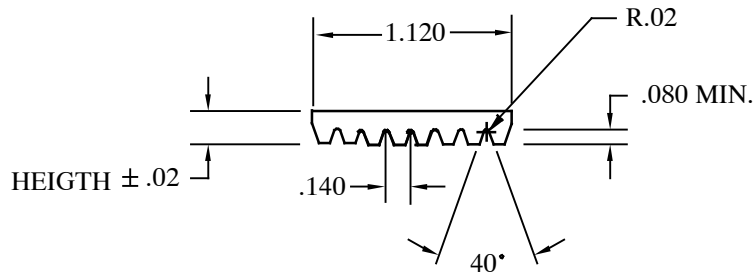
6.4 BELTS, POLY-V, 6 GROOVES, 0.840 WIDTH



Part Number	Description	Length (Inches)
50-62000-00	BELT, POLY-V, 6 GROOVE	66.00
50-62000-01	BELT, POLY-V, 6 GROOVE	99.50
50-62000-08	BELT, POLY-V, 6 GROOVE	48.50
50-62000-09	BELT, POLY-V, 6 GROOVE	64.00
50-62000-11	BELT, POLY-V, 6 GROOVE	98.00
50-62000-12	BELT, POLY-V, 6 GROOVE	59.00
50-62000-16	BELT, POLY-V, 6 GROOVE	54.80
50-62000-17	BELT, POLY-V, 6 GROOVE	120.00
50-62000-18	BELT, POLY-V, 6 GROOVE	91.60
50-62000-19	BELT, POLY-V, 6 GROOVE	57.00
50-62000-20	BELT, POLY-V, 6 GROOVE	63.00
50-62000-22	BELT, POLY-V, 6 GROOVE	128.00
50-62000-24	BELT, POLY-V, 6 GROOVE	107.50
50-62000-25	BELT, POLY-V, 6 GROOVE	74.50
50-62000-26	BELT, POLY-V, 6 GROOVE	113.00
50-62000-27	BELT, POLY-V, 6 GROOVE	72.00
50-62000-28	BELT, POLY-V, 6 GROOVE	52.00
50-62000-57	BELT, POLY-V, 6 GROOVE	75.50
50-62000-60	BELT, POLY-V, 6 GROOVE	52.80
50-62000-61	BELT, POLY-V, 6 GROOVE	139.60
50-62000-62	BELT, POLY-V, 6 GROOVE	118.00
50-62000-63	BELT, POLY-V, 6 GROOVE	126.50
50-62000-68	BELT, POLY-V, 6 GROOVE	59.40
50-62000-78	BELT, POLY-V, 6 GROOVE	123.00
50-62000-79	BELT, POLY-V, 6 GROOVE	54.00
50-62000-80	BELT, POLY-V, 6 GROOVE	54.50
50-62000-81	BELT, POLY-V, 6 GROOVE	55.50
50-62000-84	BELT, POLY-V, 6 GROOVE	43.50
50-62000-85	BELT, POLY-V, 6 GROOVE	142.00
50-62000-86	BELT, POLY-V, 6 GROOVE	124.50
50-62000-87	BELT, POLY-V, 6 GROOVE	77.00
50-62000-91	BELT, POLY-V, 6 GROOVE	57.80
50-62000-92	BELT, POLY-V, 6 GROOVE	55.90
50-62000-95	BELT, POLY-V, 6 GROOVE	136.00
50-62000-96	BELT, POLY-V, 6 GROOVE	55.00
50-62000-97	BELT, POLY-V, 6 GROOVE	60.50



6.5 BELTS, POLY-V, 8 GROOVES, 1.120 WIDTH



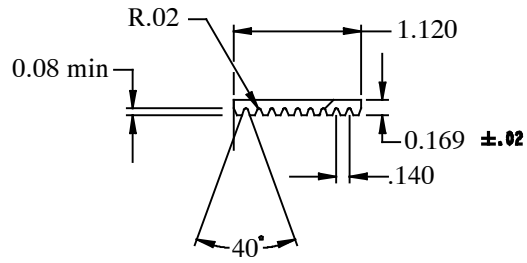
Part Number	Description	Length (Inches)
50-62000-06	BELT, POLY-V, 8 GROOVE	58.00
50-62000-13	BELT, POLY-V, 8 GROOVE	60.50
50-62000-14	BELT, POLY-V, 8 GROOVE	60.00
50-62000-15	BELT, POLY-V, 8 GROOVE	121.00
50-62000-21	BELT, POLY-V, 8 GROOVE	81.00
50-62000-23	BELT, POLY-V, 8 GROOVE	91.00
50-62000-29	BELT, POLY-V, 8 GROOVE	112.50
50-62000-39	BELT, POLY-V, 8 GROOVE	104.50
50-62000-43	BELT, POLY-V, 8 GROOVE	126.50
50-62000-58	BELT, POLY-V, 8 GROOVE	149.00
50-62000-59	BELT, POLY-V, 8 GROOVE	95.00
50-62000-65	BELT, POLY-V, 8 GROOVE	52.00
50-62000-66	BELT, POLY-V, 8 GROOVE	131.30
50-62000-67	BELT, POLY-V, 8 GROOVE	125.30
50-62000-69	BELT, POLY-V, 8 GROOVE	107.50
50-62000-70	BELT, POLY-V, 8 GROOVE	95.20
50-62000-71	BELT, POLY-V, 8 GROOVE	82.00
50-62000-72	BELT, POLY-V, 8 GROOVE	85.50
50-62000-73	BELT, POLY-V, 8 GROOVE	83.00

6.5 BELTS, POLY-V, 8 GROOVES, 1.120 WIDTH - Continued:

Part Number	Description	Length (Inches)
50-62000-74	BELT, POLY-V, 8 GROOVE	103.50
50-62000-75	BELT, POLY-V, 8 GROOVE	55.20
50-62000-76	BELT, POLY-V, 8 GROOVE	56.60
50-62000-77	BELT, POLY-V, 8 GROOVE	105.50
50-62000-82	BELT, POLY-V, 8 GROOVE	79.00
50-62000-83	BELT, POLY-V, 8 GROOVE	77.00
50-62000-88	BELT, POLY-V, 8 GROOVE	99.00
50-62000-89	BELT, POLY-V, 8 GROOVE	100.00
50-62000-90	BELT, POLY-V, 8 GROOVE	142.00



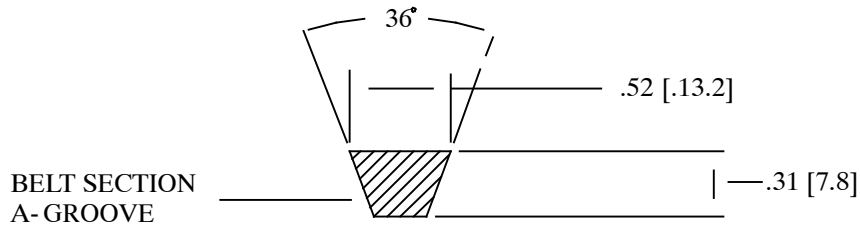
6.6 BELTS, POLY-V, 10 GROOVES, 1.380 WIDTH



Part Number	Description	Length (Inches)
50-62075-00	BELT, POLY-V, 10 GROOVE	103.00
50-62075-01	BELT, POLY-V, 10 GROOVE	87.50
50-62075-02	BELT, POLY-V, 10 GROOVE	105.00



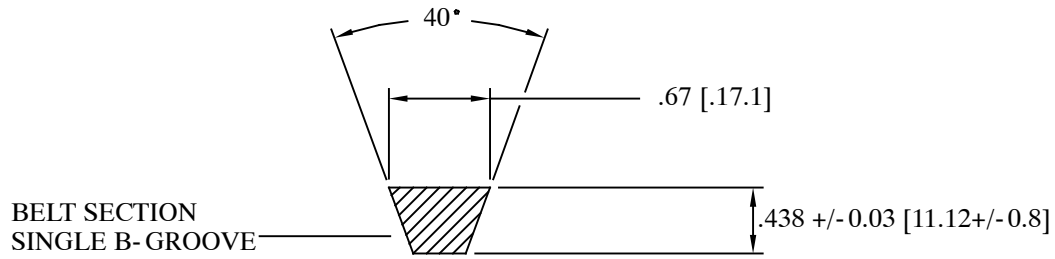
6.7 V-BELT, SINGLE "A" GROOVE



Part Number	Description	Length (Inches)
50-62019-00	V-BELT, SINGLE "A" GROOVE	75.00
50-62019-11	V-BELT, SINGLE "A" GROOVE	39.90
50-62019-12	V-BELT, SINGLE "A" GROOVE	40.40
50-62019-15	V-BELT, SINGLE "A" GROOVE	42.90
50-62019-17	V-BELT, SINGLE "A" GROOVE	43.90
50-62019-18	V-BELT, SINGLE "A" GROOVE	44.90
50-62019-20	V-BELT, SINGLE "A" GROOVE	45.90
50-62019-22	V-BELT, SINGLE "A" GROOVE	46.90
50-62019-24	V-BELT, SINGLE "A" GROOVE	47.90
50-62019-26	V-BELT, SINGLE "A" GROOVE	49.40
50-62019-27	V-BELT, SINGLE "A" GROOVE	50.40
50-62019-28	V-BELT, SINGLE "A" GROOVE	51.40
50-62019-32	V-BELT, SINGLE "A" GROOVE	54.40
50-62019-34	V-BELT, SINGLE "A" GROOVE	55.90
50-62019-37	V-BELT, SINGLE "A" GROOVE	58.40
50-62019-38	V-BELT, SINGLE "A" GROOVE	59.40
50-62019-40	V-BELT, SINGLE "A" GROOVE	60.90
50-62019-42	V-BELT, SINGLE "A" GROOVE	62.40
50-62019-45	V-BELT, SINGLE "A" GROOVE	65.40
50-62019-47	V-BELT, SINGLE "A" GROOVE	67.40
50-62019-48	V-BELT, SINGLE "A" GROOVE	68.40
50-62019-52	V-BELT, SINGLE "A" GROOVE	72.40
50-62019-53	V-BELT, SINGLE "A" GROOVE	73.40
50-62019-57	V-BELT, SINGLE "A" GROOVE	77.90
50-62019-59	V-BELT, SINGLE "A" GROOVE	44.00
50-62019-60	V-BELT, SINGLE "A" GROOVE	45.00
50-62019-67	V-BELT, SINGLE "A" GROOVE	86.00
50-62019-68	V-BELT, SINGLE "A" GROOVE	88.00
50-62019-69	V-BELT, SINGLE "A" GROOVE	79.00

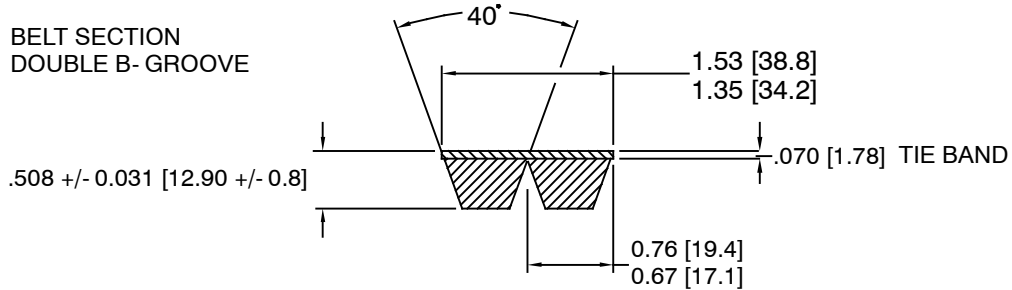


6.8 V-BELT, SINGLE "B" GROOVE



Part Number	Description	Length (Inches)
50-62010-17	V-BELT, SINGLE "B" GROOVE	92.90
50-62010-20	V-BELT, BANDED, 2 RIB	102.90

6.9 V-BELT, 2 GROOVE, BANDED



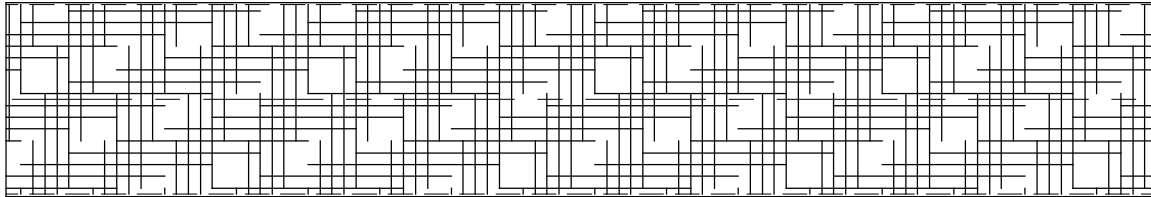
Part Number	Description	Length (Inches)
50-62010-00	V-BELT, BANDED, 2 RIB, COG	102.90
50-62010-01	V-BELT, BANDED, 2 RIB	92.90
50-62010-13	V-BELT, BANDED, 2 RIB	76.90
50-62010-14	V-BELT, BANDED, 2 RIB	101.90
50-62010-20	V-BELT, BANDED, 2 RIB	102.90
50-62010-21	V-BELT, BANDED, 2 RIB	91.80
50-62010-22	V-BELT, BANDED, 2 RIB	91.60
50-62010-23	V-BELT, BANDED, 2 RIB	92.70



6.10 HOSE, MISCELLANEOUS

Part Number	Description
AC301-205	Hose, Duct, 2-1/2 Inch ID X 6 Foot (Section)
AC301-202	Hose, Radiator, 1-1/2 Inch ID
AC301-219	Hose, Radiator, 88 Ford 460, Add-On

6.11 INSULATION TUBE, (HEAT)



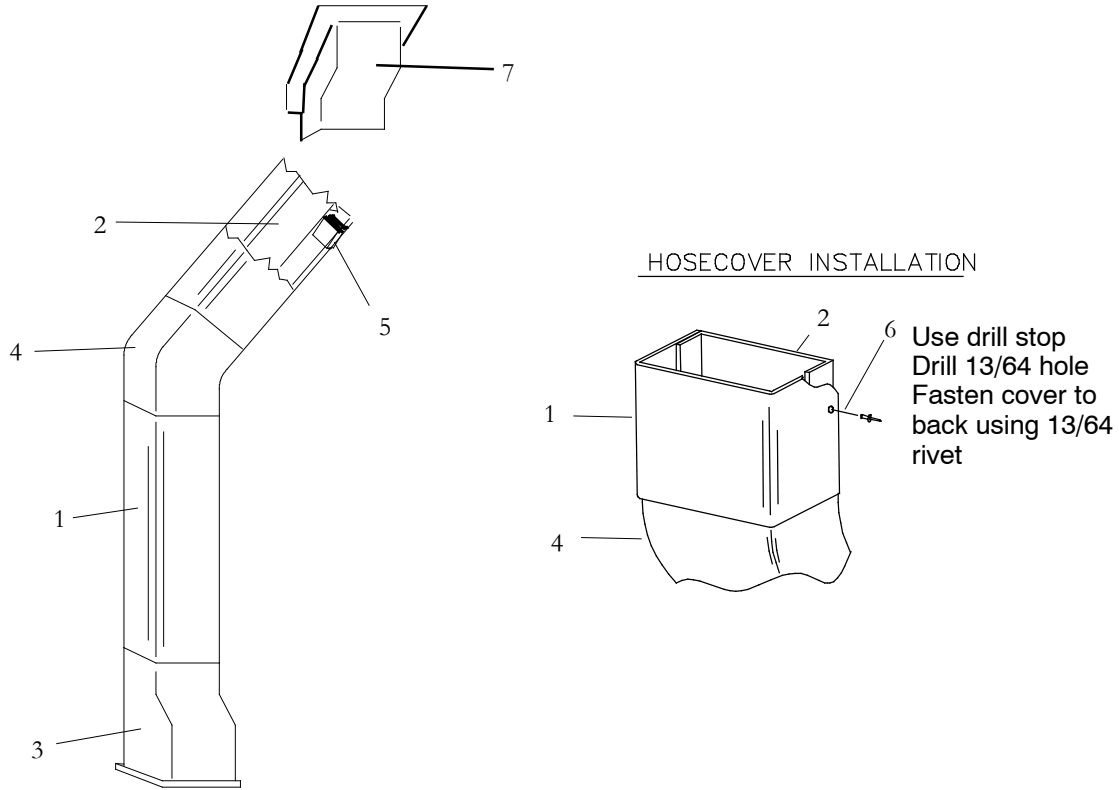
For protecting refrigerant hose in engine compartment or any other high heat areas

58-62062-00	Tube, Insulation, (Fyrejacket), 2 Inch I.D X 24 Inch, Fiberglass With Orange Silicone Rubber
58-62062-01	Tube, Insulation, (Fyrejacket), 2 Inch I.D X 48 Inch, Fiberglass With Orange Silicone Rubber
58-62062-02	Tube, Insulation, (Fyrejacket), 2 Inch I.D X 72 Inch, Fiberglass With Orange Silicone Rubber
58-62062-10	Tube, Insulation, (Fyrejacket), 2 Inch I.D X 1200 Inch, Fiberglass With Orange Silicone Rubber
58-62030-00	Tube, Insulation, 2 Inch I.D X 24 Inches, Fiberglass With Aluninum Cover
58-62030-01	Tube, Insulation, 2 Inch I.D X 48 Inches, Fiberglass With Aluninum Cover
58-62030-02	Tube, Insulation, 2 Inch I.D X 72 Inches, Fiberglass With Aluninum Cover
58-62030-10	Tube, Insulation, 2 Inch I.D X 100 Foot Roll, Fiberglass With Aluninum Cover



SECTION 7 - MISCELLANEOUS

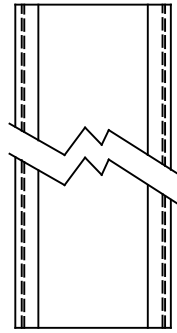
7.1 HOSECOVERS AND ACCESSORIES



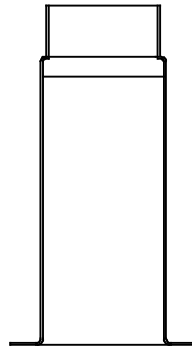
Item	Part Number	Description
1	AC010-007-1	Hosecover, Vinyl Coated Steel, 36 inch, (White)
	AC010-007-2	Hosecover, Vinyl Coated Steel, 36 inch, (Gray)
2	AC010-008	Hosecover, Back, 36 inch
	AC011-031	Hosecover, Back, 47 inch
3	AC011-032-1	Hosecover, Transition, (White) For use at Floor
	AC011-032-2	Hosecover, Transition, (Gray) For use at Floor
4	AC011-049-1	Hosecover, Elbow. 60°, (White)
	AC011-049-2	Hosecover, Elbow. 60°. (Gray)
5	AC701-103	Clip, Tinnerman, S-Type, (Hosecover)
6	AC701-401	Rivet, Pop, Steel, (SD62BS)
7	Y28-00041-01	Hosecover, Transition, (White) For use at Ceiling
	Y28-00041-00	Hosecover, Transition, (Gray) For use at Ceiling



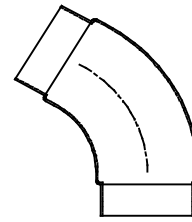
7.2 HOSECOVERS - 2 PIECE DESIGN



1



2



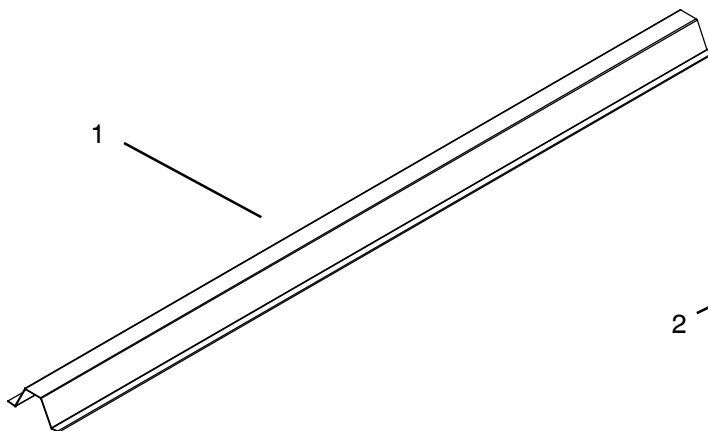
3



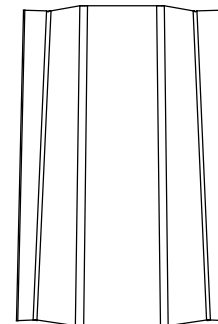
TOP VIEW

Item	Part Number	Description
1	58-01384-00	Hosecover, 2 Piece, Gray, 36 in.
	58-01384-01	Hosecover, 2 Piece, White, 36 in.
	58-01384-02	Hosecover, 2 Piece, Gray, 48 in.
	58-01384-03	Hosecover, 2 Piece, White, 48 in.
2	58-01383-00	Hosecover, Transition, Gray
	58-01383-01	Hosecover, Transition, White
	58-62184-00	Hosecover, Transition, Gray
	58-62191-00	Hosecover, Transition, ABS, Gray
3	58-01382-00	Corner Cover, 60 Degree Elbow, Gray
	58-01382-01	Corner Cover, 60 Degree Elbow, White

7.3 HOSECOVERS - 1 PIECE DESIGN, GRAY (ABS Plastic)



1

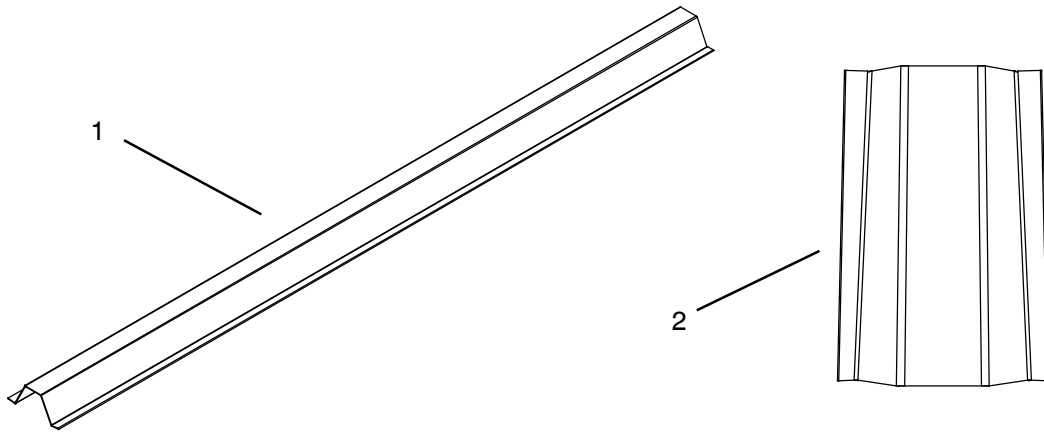


2

Item	Part Number	Description	
1	58-62204-00	Hose Cover, Gray, 52.00" LG, For Use in IC Made Buses	1
2	58-62205-00	Hose Cover, Transition, Gray, 7.00" LG, For Use in IC Made Buses	1

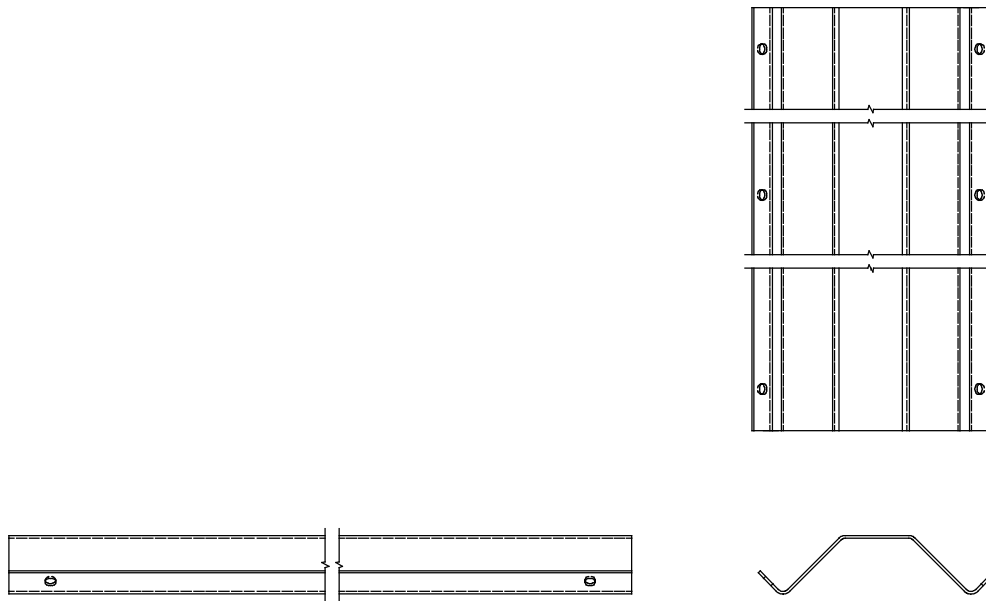


7.3.1 HOSECOVERS - 1 PIECE DESIGN, OYSTER WHITE (Metal)



Item	Part Number	Description	
1	Y24-00550-00	Hose Cover, Oyster White, 52.00" LG, For Use in IC Made Buses	1
2	Y24-00551-00	Hose Cover, Transition, Oyster White, 7.00" LG, For Use in IC Made Buses	1

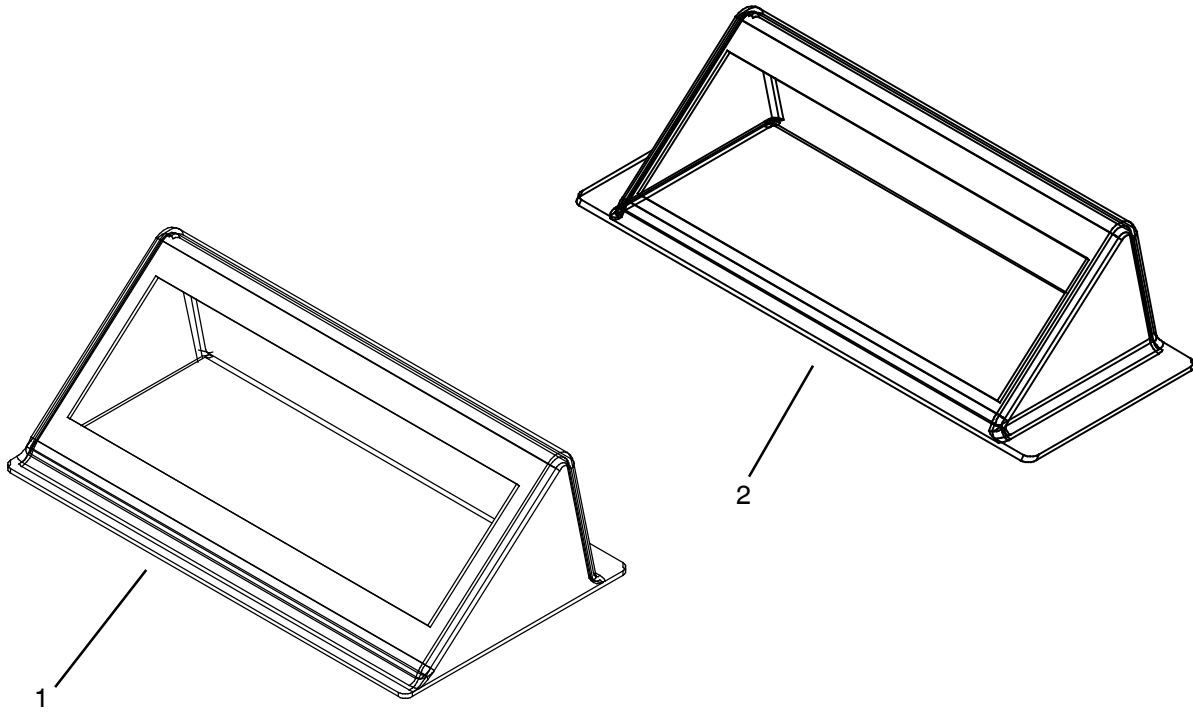
7.3.2 HOSECOVERS - 1 PIECE DESIGN, OYSTER WHITE (Metal)



Item	Part Number	Description	
1	Y24-00646-00	Hose Cover, Oyster White, 63.00" LG	1



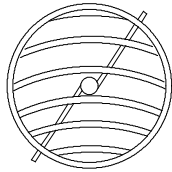
7.4 DEFLECTORS



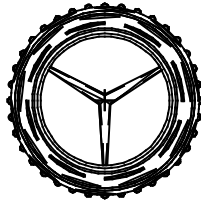
Item	Part Number	Description	
1	58-62185-00	Deflector, Gray, 8.50" x 4.75", ABS	1
	58-62185-01	Deflector, White, 8.50" x 4.75", ABS	1
2	58-01398-00	Deflector, Lt. Gray, 9.56" x 3.57", ABS	1
	58-01398-01	Deflector, White, 9.56" x 3.57", ABS	1



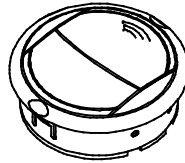
7.5 LOUVERS



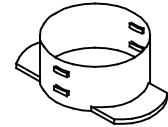
AC401-300



58-01379-00

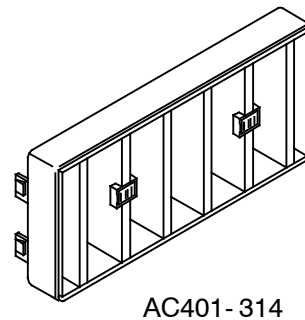
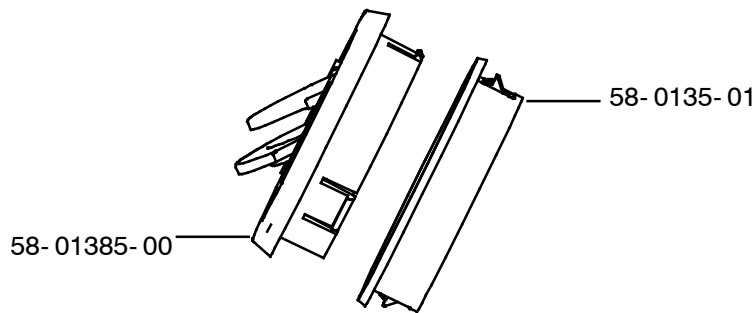


58-62077-00



AC401-307

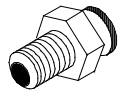
Part Number	Description
AC401-300	Grill, Round, 2 inch
AC401-301	Grill, Round, 3 inch
AC401-302	Louver, With Bezel - Black, 2 Inch X 1-1/2 Inch
58-01386-00	Ball Louver - 2-1/2 Inch Black, With Hose Back
AC401-306	Mounting Ring, Black - 2-1/4 Inch I.D.
AC401-307	Hose Adapter - 2-1/2 Inch
AC401-308	Louver, With Bezel - Black, 3 Inch X 7 Inch
AC401-309	Louver, Ball, 2 inch
AC401-310	Hose Connector - 2 Inch X 2-1/2 Inch
58-01379-00	Ball Louver, 2 Inch Black (Triple Vane) With 2.5 Inch Hose Adapter & Lock Ring
AC401-312	Louver Assembly With 2-1/2 Adapter, (401-313)
AC401-313	Louver Cover, (401-312)
AC401-314	Louver With Bezel - Black, 3-1/4 Inch X 7-3/4 Inch
AC401-315	Louver, With Bezel, Black, 1-1/2 inch X 4-3/4 inch
AC401-320	Louver, EM-1-2-3-6-14 (Gen III & GEN 4)
AC401-322	Adapter, Hose, 2 inch
AC401-323	Adapter, Hose, 3 inch
58-62077-00	Louver, Round, 2-1/2 Inch
58-01385-00	Louver, 3" (Requires 1 Ring 58-01385-01)
58-01385-01	Ring, Louver, Used With 58-01385-00



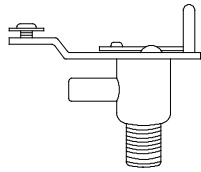
AC401-314



7.6 REFRIGERATION COMPONENTS



Valve, Air Vent



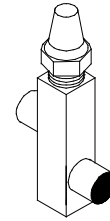
Valve - Heat Control



Core - Access Valve



Valve Body



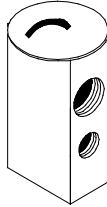
Shut- Off Valve

Part Number	Description
40-00081-00	Valve, Air Vent, 1/8 Inch MPT, Brass
AC101-408	Valve, Discharge, 5/8I Inch OD Tube, (NSI)
AC101-405	Valve, Drain Cock, 1/8 Inch MPT, (NSI)
AC101-406	Valve, Drain Cock, 1/4 Inch MPT, (NSI)
AC101-403	Valve, Water Service, Hand Operated
AC101-400	Valve, Heat Control, Cable Operated, (EM-21)
AC101-412	Valve, Refrigerant, 1/2 Inch Flare X 1/2 Inch Flare, (NSI)
AC101-415	Valve, Refrigerant, Angle, 1/2 Inch Flare X 1/2 Inch Flare
AC101-429	Valve, Shutoff, 1/2 Inch Flare X 1/2 Inch Flare
AC101-430	Valve, Shutoff, 1/2 Inch Female Flare X 1/2 Inch Male Flare O-Ring
AC101-428	Valve, Shutoff, 1/2 Inch Female Flare O-Ring X 1/2 Inch Male O-Ring
AC101-441	Valve, Shutoff, 5/8 inch Female O-Ring X 5/8 Inch Male O-Ring
AC101-404	Valve, Solenoid, 12 VDC, Refrigerant, (NSI)
AC101-401	Valve, Solenoid, 12 VDC, Water Service
AC101-407	Valve, Suction, 7/8 Inch OD Tube, (NSI)
AC101-425	Valve, 4-Way, Toggle, (Pivot Base)
AC101-426	Regulator, With Gauge, (Use with AC101-427)
AC101-427	Bracket, Regulator, (Use with AC101-426)
40-00190-00	Valve Body, 1/4 Inch MFL X 1/8 Inch MPT
17-13010-00	Fitting Access, 1/8 Inch MPT X 1/4 Inch Flare, With Schrader, Brass - Includes:
14-00351-00	...Core, Access Valve (Nickel Plated)

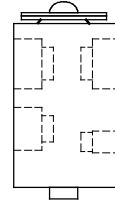


7.7 THERMAL EXPANSION VALVE, BLOCK

R- 12
VALVE

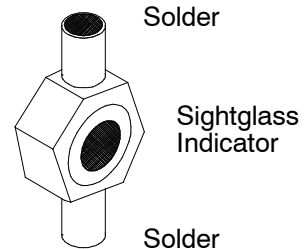
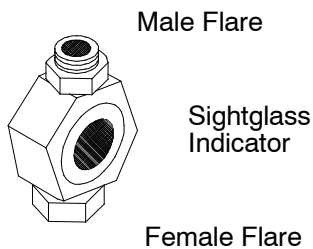


R- 134A
VALVE
14- 00301



N/A	Thermal Expansion Valve, Block, R12 (AC101-100)
AC040-076	Thermal Expansion Valve, Block, R12, (EM-21)
AC101-103	Thermal Expansion Valve, Block, R22
14-00301-03	Thermal Expansion Valve, Block, R134a (GEN III, GEN 4 & GEN 5)
AC040-103	Thermal Expansion Valve, Block, R134a, (EM-21)
AC101-101	Thermal Expansion Valve, 3/8 Inch Flare X 1/2 Inch Flare
AC101-102	Thermal Expansion Valve, 3/8 Inch O-Ring X 1/2 Inch O-Ring
AC101-108	Thermal Expansion Valve, 4 Ton, Externally Equalized, R12 / R134a

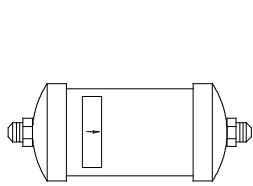
7.8 SIGHTGLASSES



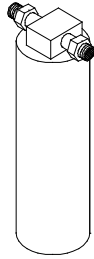
Part Number	Description
AC101-200	Sightglass Indicator. 1/2 Inch Male Flare X 1/2 Inch Female Flare (GEN 4) Includes:
AC101-202	Sightglass, Bullseye, 7/8-14 Thread (GEN III)
AC101-203	Sightglass, Moisture Indicator, 7/8-14 Thread (GEN 4 - GEN-V)



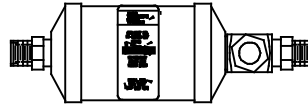
7.9 DRIERS



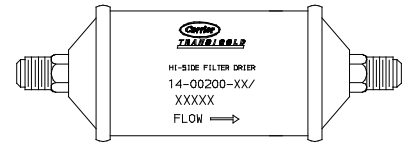
1, 2



5



11



12

Item	Part Number	Description
1	AC101-303	Filter Drier, 16 Cubic Inch, 1/2 Inch Flare
2	AC101-312	Filter Drier, 16 Cubic Inch, 1/2 Inch Flare-O, (GEN 4)
3	N/A	Receiver Drier, 3/8 Inch Flare (AC101-301)
4	AC101-302	Receiver Drier, 3/8 Inch O-Ring, With Low Pressure Switch
5	AC101-311	Receiver Drier, 3/8 Inch Male O-Ring X 3/8 Inch Male O-Ring
6	AC101-304	Receiver Drier, Push-On, #8 Hose
7	AC101-305	Receiver Drier, Push-On, #6 Hose
8	AC101-307	Receiver Tank, (RF Series)
9	AC101-310	Receiver, Vertical, (CM-8)
10	AC101-306	Filter, Suction, 5/8 Inch Flare
11	14-00288-00	Filter Drier/Sightglass, 16 Cubic Inch, 1/2 Inch MO-R, (With Moisture Indicator)
12	14-00200-00	Filter Drier, 41 Cubic Inch, 5/8 Inch Flare
13	14-00320-00	Filter Drier, 41 Cubic Inch, 3/4 ORS (IN) X 5/8 ORS (OUT)



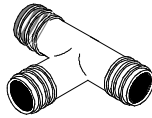
7.10 PLASTIC FITTINGS



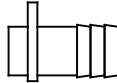
NYLON SPLICER



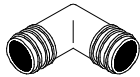
MPT TO BARB



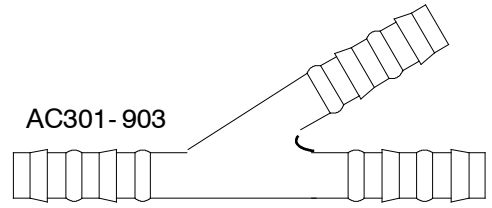
PLASTIC DRAIN TEE



Drain Pan Nipple



PLASTIC DRAIN ELBOW

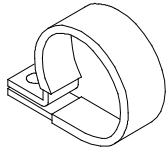


“Y” DRAIN LINE CONNECTION

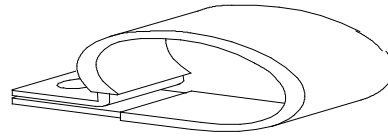
AC301-900	Fitting, Plastic, Drain Elbow, 90°, 1/2 Inch OD
AC301-901	Fitting, Plastic, Drain Tee, 1/2 Inch OD
AC301-902	Fitting, Plastic, Drain Tube, Straight, 1/2 Inch OD, Anti-Slip
AC301-903	Fitting, Plastic, Heater, “Y”, 5/8 OD or 3/4 Inch OD
N/A	Fitting, Plastic, Drain Tube, 90°, 1/2 inch OD, (EM-14) (AC301-904)
AC301-905	Elbow, Nylon, 90°, 1/4 Inch MPT, X 1/2 Inch Hose
AC301-907	Fitting, Plastic, Drain Tee, 5/8 Inch OD, (GEN III & GEN 4)
AC301-908	Fitting, Nylon, Drain Elbow, 90°, 5/8 Inch OD, (GEN III & GEN 4)
AC301-908-5	Fitting, Nylon, Drain Elbow, 90°, 1 Inch OD, (Blue Bird)
40-00541-00	Fitting, Hose, Plastic, 1 Inch MPT X 1 Inch “Barb”, (Black)
40-00541-01	Fitting, Hose, Plastic, 3/4 Inch MPT X 1 Inch “Barb”, (Black)
40-00541-02	Fitting, Hose, Plastic, 3/4 Inch MPT X 1 Inch “Barb”, (White)
58-62142-02	Fitting, Splicer, Nylon, 1/2 Inch OD
58-62142-03	Fitting, Splicer, Nylon, 5/8 Inch OD
58-01380-00	Fitting, Hose, Nylon “Y”, 5/8-3/4 Inch, Barbed (Black)
58-62159-00	Tube, Plastic, Drain Pans, GEN 5
58-50123-00	Fitting “Y” Connector, 1/2 “ OD Nylon Hose Barb



7.11 INSULATED CLAMPS



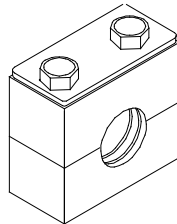
INSULATED CLAMP



INSULATED CLAMP - DOUBLE HOSE

Part Number	Description
34-00373-51	Clamp, Insulated, 1/4 Inch ID, Black
34-00373-53	Clamp, Insulated, 3/8 Inch ID, Black
34-00373-05	Clamp, Insulated, 1/2 Inch ID, Black
AC701-201	Clamp, Insulated, 5/8 Inch ID, Adel
44-00337-08	Clamp, Insulated, 3/4 Inch ID, Adel (AC701-221)
AC701-222	Clamp, Insulated, 7/8 Inch ID, Adel
44-00337-11	Clamp, Insulated, 1 Inch ID, Adel (AC701-223)
AC701-224	Clamp, Insulated, 1-1/8 Inch ID, Adel
AC701-245	Clamp, Insulated, 1-1/4 Inch ID, Black
AC701-230	Clamp, Insulated, 1-1/2 Inch ID, Black
AC701-263	Clamp, Insulated, Heavy Duty, 1-1/2 Inch ID, Black
AC701-246	Clamp, Insulated, 1-3/8 Inch ID, Black
AC701-227	Clamp, Insulated, 1-3/4 Inch ID, Black
34-00373-27	Clamp, Insulated, 1-7/8 Inch ID, Black
AC701-233	Clamp, Insulated, Double, 5/8 Inch OD, Tube
AC701-226	Clamp, Insulated, Double Hose, Black

7.12 STAUFF CLAMPS

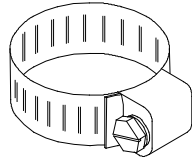


STAUFF CLAMP

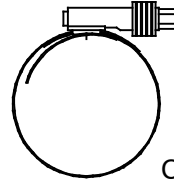
AC701-248	Clamp, Stauff, 5/8 Inch OD Tube
AC701-242	Clamp, Stauff, 3/4 Inch OD Tube
44-00285-72	Clamp, Stauff, 7/8 Inch OD Tube
AC701-241	Clamp, Stauff, 1-1/8 Inch OD Tube
AC701-240	Clamp, Stauff, 1-3/8 Inch OD Tube
AC701-254	Clamp, Stauff, 1-3/8 Inch OD Tube, High Temperature



7.13 HOSE CLAMPS



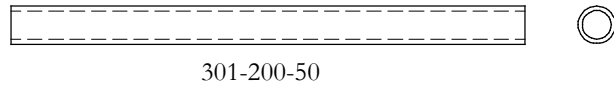
HOSE CLAMP



44-62003-00 THRU -03
CLAMP, CONSTANT TORQUE

Part Number	Description
AC701-205	Clamp, Drain Hose
AC701-207	Clamp, #16 Hose
AC701-211	Clamp, Hose, Mini, 7/32 Inch to 5/8 Inch Diameter
44-00045-28	Clamp, Hose, 1/2 Inch to 1-1/4 Inch Diameter (NSI)
AC701-229	Clamp, Hose, 1-1/8 Inch to 3 Inch Diameter
AC701-210	Clamp, Hose, 1-5/16 Inch to 2-1/4 Inch Diameter
AC701-247	Clamp, Hose
AC701-269	Clamp, Hose, 2-1/16 Inch to 3 Inch, Stainless Steel,, (GEN III / GEN 4)
44-62003-00	Clamp, Constant Torque (Effective Range: 2.75 - 3.62)
44-62003-01	Clamp, Constant Torque (Effective Range: 3.25 - 4.13)
44-62003-02	Clamp, Constant Torque (Effective Range: 1.75 - 2.63)
44-62003-03	Clamp, Constant Torque (Effective Range: 2.25 - 3.13)

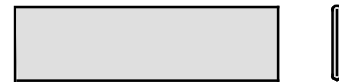
7.14 CONDENSATE VALVE & DRAIN HOSE



301-200-50



AC301-239



AC301-204

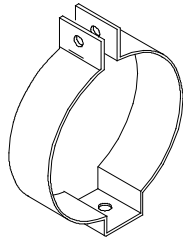


AC301-240

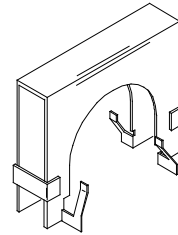
Part Number	Description
AC301-204	Hose, Condensate Valve, 1 Inch X 3 inch Long, GEN I, GEN II & GEN 5 (Kazoo)
AC301-240	Hose, Condensate Valve, 1-1/4 Inch X 3 inch Long, GEN III & GEN 4 (Kazoo)
301-200-50	Hose, Drain, 1/2 Inch ID X 50 Feet Long, (GEN I, GEN II & GEN 5)
AC301-239	Hose, Drain, 5/8 Inch ID X Foot, (GEN III & GEN 4)



7.15 MISCELLANEOUS CLAMPS



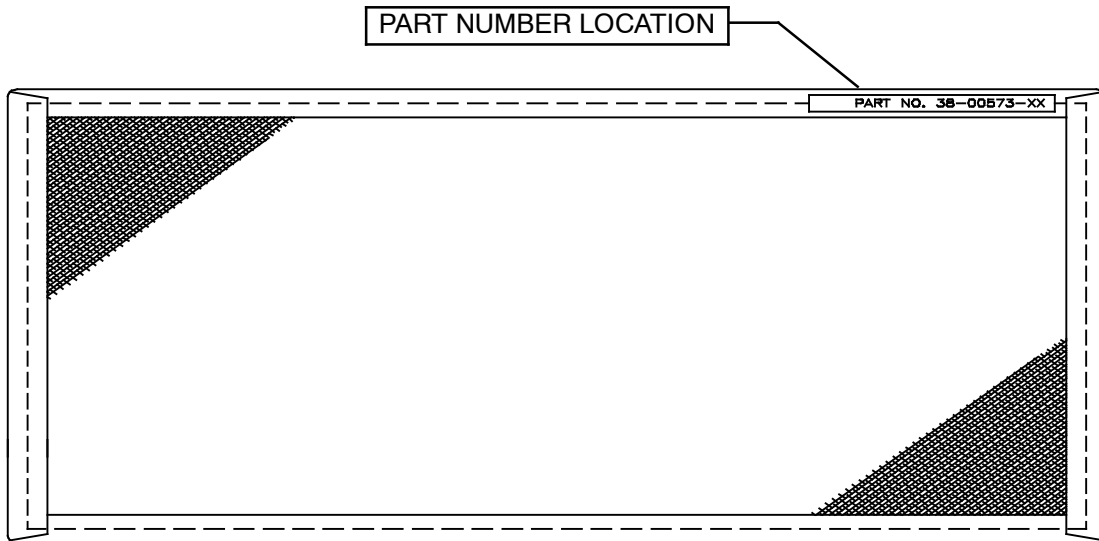
Filter Drier Mounting Clamp



Spring-Lock Clip

N/A	Clip, Spring-Lock, #8 (AC701-251)
N/A	Clip, Spring-Lock, #10 (AC701-252)
N/A	Clip, Spring-Lock, #12 (AC701-253)
AC701-235	Clamp, Lock, #6 to #12 Hose
AC701-243	Clamp, Conduit, 3 Inch, Stainless Steel
AC701-208	Clamp, Filter Drier Mounting, (GEN I & II)
AC701-212	Clamp, Muffler, 1-1/2 Inch
AC701-274	Clamp, Slotted, 3/8 Inch Conduit, (GEN III & GEN 4)
AC701-206	Clamp, Thermostat Coil
AC701-237	Connector, Romex, 1/2 Inch

7.16 RETURN AIR FILTERS



Part Number	Description
38-00573-00	Filter, Return Air, EM-22, 13.82 x 8.00 Inches (351.0 x 203.2 MM)
38-00573-01	Filter, Return Air, EM-1, 36.50 x 9.00 Inches (927.1 x 228.6 MM)
38-00573-02	Filter, Return Air, EM-2, 27.92 x 9.00 Inches (709.2 x 228.6 MM)
38-00573-03	Filter, Return Air, EM-7, 20.65 x 9.00 Inches (524.5 x 228.6 MM)
38-00573-04	Filter, Return Air, EM-3, 26.81 x 9.00 Inches (681.0 x 228.6 MM)
38-00573-05	Filter, Return Air, IW-7, 19.00 x 5.50 Inches (482.6 x 139.7 MM)
38-00573-06	Filter, Return Air, IW-2, 26.30.82 x 5.75 Inches (668.0 x 146.1 MM)
38-00573-07	Filter, Return Air, EM-3 Gen 4, 26.25 x 8.00 Inches (666.8 x 203.2 MM)

7.16 RETURN AIR FILTERS (Continued)



Mobile Climate Control

38-00573-08	Filter, Return Air, IW-1, 34.00 x 6.40 Inches (863.6.0 x 162.6 MM)
38-00573-09	Filter, Return Air, ESS, 18.20 x 8.00 Inches (462.3 x 203.2 MM)
AC801-405	Filter, Return Air, EM-1 (G4), 35.00 x 7.25 Inches (889 x 184.2 MM)
AC801-452	Filter, Return Air, EM-3 (G4), 26.25 x 8.25 Inches (666.8 x 209.6 MM)
AC801-462	Filter, Return Air,EM6 (G4), 19.00 x 8.00 Inches (482.6 x 203.2 MM)
AC801-461	Filter, Return Air, EM-14 (G4), 28.50 x 5.00 Inches (723.9 x 127 MM)
AC801-443	Filter, Return Air,EM17 (G4), 41.50 x 12.5 Inches (1054.1 x 317.5 MM)
38-00558-00	Filter, Return Air, EM9 (G4), 18.25 x 6.50 Inches (463.6 x 165.1 MM)



INDEX

PART NO.	PAGE NO.	PART NO.	PAGE NO.
0		1	
022-313-1	135, 136, 175	10-00286-00	355
04-50023-00	117, 118, 119, 121, 360	10-00286-03	355, 383
08-01068-00	8, 19, 131	10-00286-07	388
08-01068-01	36, 47, 55	10-00286-09	355, 383, 384, 386
08-01068-02	90, 100	10-00286-12	355
08-50018-00	261	10-00286-13	388
08-62005-00	245, 247	10-00286-14	355
08-62035-00	197	10-00300-00	245
08-62035-01	221	10-00300-02	384, 386, 388
08-62036-00	251, 254	10-00300-07	388
08-62038-00	297, 301, 303, 307	10-00311-00	383, 384, 386
08-62038-01	297, 301, 303, 307	10-00312-00	383, 384, 386
08-62045-00	178	10-00317-01	255
08-62045-01	155	10-00328-07	354
08-62046-00	299, 305	10-00436-01	383
08-62046-01	299, 305	10-50052-00	358, 384, 386
08-62056-01	135, 136, 175	10-50052-01	358, 384, 386
08-62057-00	315	10-50067-00	125
08-62057-01	315	10-50068-00	125
08-62059-00	1, 3, 27, 31, 33	10-50069-00	125
08-62060-00	1, 27, 31	108-1921Z	341
08-62061-00	80, 84	12-00299-01	118
08-62062-00	80, 84	12-00299-02	117, 120
08-62063-00	111	12-00299-09	117, 120
08-62064-00	111, 193, 195	12-00299-11	245
08-62065-00	106	12-00299-18	117, 120
08-62066-00	106	12-00299-23	213, 214, 239, 240, 242, 243, 270, 303, 307
08-62067-00	60, 71, 74	12-00305-07	370
08-62068-00	60, 71, 74	12-00334-02	117, 120
08-62076-00	182, 184	12-00334-03	117, 120
08-62080-00	164, 166	12-00495-02SV	141
08-62081-00	267	12-00512-00	369
08-62081-01	267	12-00512-02	369



INDEX

PART NO.	PAGE NO.	PART NO.	PAGE NO.
12-00533-00	9, 37, 66, 93	14-50047-00	117, 120, 122
12-00533-01	140	14-50097-00	125
12-00547-00	179	15-1505	127, 128
12-00567-00	369	15-8731	263
12-00570-00	369	17-10812-01	255
12-00657-00	383, 384, 386	17-13010-00	403
12-00672-00	370	17-31244-00	345, 346
12-00672-01	370	17-31248-00	346
12-00672-02	370	17-31262-00	346
12-00672-03	370	17-31307-00	343
12-00685-00	3, 8, 19, 27, 33, 36, 47, 55, 63, 71, 74, 84, 90, 100, 131, 135, 136, 155, 165, 166, 175, 182, 184, 193, 195, 357	18-00073-00	347
12-01132-00	245, 247	18-00073-01	347
12-50139-00	125, 126	18-00093-00	337
14-00026-04	297, 299, 303, 305	18-00093-01	337
14-00029-04	254, 297, 301, 303, 307	18-00093-05	340
14-00029-07	245, 247	18-00093-06	341
14-00029-09	299, 305	18-00093-07	340, 341
14-00200-00	249, 405	18-00093-09	340, 341
14-00288-00	197, 221, 267, 315, 405	18-00093-10	341
14-00301-03	404	18-00093-11	341
14-00320-00	297, 299, 303, 305, 405	18-00093-12	341
14-00326-05	277, 279	18-00093-13	341
14-00351-00	120, 122, 155, 179, 249, 277, 279, 281, 297, 299, 303, 305, 307, 403	18-00093-14	337
14-00397-00	1, 3, 8, 19, 27, 31, 33, 36, 47, 55, 60, 63, 71, 74, 80, 84, 90, 100, 106, 111, 125, 126, 131, 135, 136, 155, 164, 166, 175, 179, 182, 184, 193, 195	18-00093-15	337
14-01032-01	249, 278, 279, 281, 297, 299, 301, 303, 305, 307	18-00093-16	337
14-01042-08	255	18-00093-17	341
14-01104-37	118	18-10123-00	344
14-01104-39	117, 120, 122	18-10123-02	344
		18-10123-04	344
		18-10123-06	344
		18-10123-07	344
		18-10123-08	344
		18-10123-09	344
		18-60012-11	345
		2	
		201-412	166, 175



INDEX

PART NO.	PAGE NO.	PART NO.	PAGE NO.
201-414	217, 220, 257, 260	22-01502-00	29, 30, 57, 58, 76, 77, 78, 86, 87, 107, 108, 112, 113, 208, 209, 218, 233, 234, 235, 258
21-1948	127, 128	22-01566-00	215, 241, 284, 285, 286, 309, 311, 313
21-1954	263	22-01566-01	123, 124, 215, 241, 285, 286, 290, 291
21-2041	117, 119, 121	22-01584-00	117, 120
22-00066-01	107, 112, 167	22-01585-00	123, 215, 241, 284, 285, 286, 287, 288, 289, 290, 291, 309, 310
22-00066-03	107, 108, 112, 113, 137, 138, 142, 159, 167, 169, 176, 186	22-01585-02	261, 285, 286, 290, 291, 378, 379
22-00118-02	313	22-01585-04	309, 311, 313
22-00119-03	9, 10, 11, 37, 38, 39, 64, 66, 91, 92	22-01585-05	284, 285, 286, 287
22-00119-05	123, 124	22-01827-01	383
22-00121-25	64, 78	22-01828-00	383
22-00121-27	9, 10, 11, 37, 38, 39, 64, 65, 66, 91, 92, 93, 94	22-02245-01	22, 50, 103
22-00872-01	10, 11, 23, 38, 39, 51, 66, 91, 92, 104, 124, 139, 168, 171, 187	22-02245-02	9, 22, 23, 29, 30, 37, 50, 51, 57, 58, 64, 66, 76, 77, 78, 86, 87, 91, 93, 103, 104, 107, 108
22-00872-02	30, 77	22-02336-01	353
22-00872-03	11, 22, 23, 39, 50, 51, 66, 92, 103, 104, 139, 168, 171, 187	22-02336-02	353
22-00872-04	30, 77	22-02336-04	353
22-01139-02	10, 22, 38, 50, 65, 93, 103, 138, 142, 176	22-02336-06	245, 353, 383, 384, 386, 388
22-01139-04	58, 87	22-02336-15	353
22-01139-05	65	22-02336-16	383, 384, 386, 388
22-01140-02	9, 10, 11, 22, 23, 37, 38, 50, 51, 64, 65, 66, 93, 94, 103, 104, 112, 113, 123, 124, 137, 138, 141, 142, 159, 167, 169, 170, 176, 186	22-02336-17	353, 354, 374, 375, 384, 386
22-01140-04	10, 22, 30, 38, 50, 58, 65, 77, 87, 93, 103	22-02336-21	388
22-01140-05	64, 65	22-02336-23	309
22-01141-01	29, 30, 57, 58, 76, 77, 78, 86, 87, 142, 169, 170, 171, 176	22-02336-24	90, 309, 311
22-01142-01	29, 57, 76, 86	22-02336-25	169, 170, 171, 176, 197, 199, 200, 201, 203, 206, 213, 221, 224, 225, 226, 228, 231, 239, 242, 251, 311, 317, 319, 360
22-01258-01	112, 113, 137, 138, 139, 140, 141, 142, 159, 167, 168, 169, 170, 171, 176, 186, 187	22-02336-26	29, 30, 57, 58, 76, 77, 78, 86, 87, 142, 207, 232, 317, 319
		22-02336-31	353
		22-02338-02	353
		22-02338-03	309, 311
		22-02338-07	29, 30, 57, 58, 76, 77, 78, 86, 87, 142, 169, 170, 171, 176



INDEX

PART NO.	PAGE NO.	PART NO.	PAGE NO.
22-02392-00	123, 141, 201, 202, 203, 208, 218, 226, 227, 228, 234, 235, 251, 258, 311	22-50078-46B	380
22-02392-01	120, 122, 285, 286, 290, 291	22-50078-47B	262
22-02392-03	309, 311, 313	22-50078-47E	262, 287, 288, 289, 290, 291
22-02392-04	284, 285, 286, 287	22-50078-48G	208, 226, 234
22-02393-00	284, 285, 286, 309, 311, 313	22-50078-49A	11, 23, 39, 51, 66, 92, 104, 139, 168, 171, 187
22-02393-01	120, 122, 123, 124, 141, 201, 202, 203, 208, 218, 226, 227, 228, 234, 235, 251, 258, 285, 286, 290, 291, 309, 310, 378, 379	22-50078-49C	11, 23, 39, 51, 66, 92, 104, 139, 168, 171, 187
22-02394-00	141, 201, 202, 203, 208, 215, 218, 226, 227, 228, 234, 235, 241, 251, 258, 262, 284, 285, 286, 309, 311, 313	22-50078-49E	378, 379, 380
22-02394-01	120, 122, 261, 287, 288, 289, 290, 291, 309, 310	22-50078-49H	378, 379, 380
22-02394-02	123, 124, 215, 241, 285, 286, 290, 291	22-50078-49L	245
22-02897-00	356	22-50078-50A	199, 209, 224, 233
22-02897-07	356, 383, 385, 387, 388	22-50078-52E	208, 226, 234
22-02897-09	356, 373, 374	22-50078-53C	139, 168, 187
22-02897-11	356	22-50078-53D	139, 168, 187
22-02897-13	356, 375	22-50078-55	287, 288, 289, 290, 291
22-02898-00	353	22-50078-58F	379
22-1245	128	22-50078-58H	261, 287, 288, 289, 290, 291
22-50030-00	117, 120, 122	22-50078-63	379
22-50078-01	262	22-50078-64	378
22-50078-01A	262	22-50078-72	199, 209, 224, 233
22-50078-02	262	22-50078-72A	199, 209, 224, 233
22-50078-18	354, 373, 374, 375, 376	22-50078-73	380
22-50078-22	245	22-50078-86	11, 23, 39, 51, 66, 92, 104, 139, 168, 171, 187
22-50078-23	245	22-50078-86A	11, 23, 39, 51, 66, 92, 104, 139, 187
22-50078-39A	208, 234	22-50078-86B	11, 23, 39, 51, 66, 92, 104
22-50078-40	201, 208, 226, 234	22-50078-87	378, 379, 380
22-50078-45	378, 379, 380	22-50091-00	117, 118, 119, 121, 360
22-50078-46A	199, 209, 224, 233, 378, 379, 380	22-50098-67	11, 23, 39, 51, 66, 92, 104, 139, 168, 171, 187, 199, 209, 224, 233
		22-50098-67A	11, 23, 39, 51, 66, 92, 104, 139, 168, 171, 187
		22-50098-67B	11, 23, 39, 51, 66, 92, 104, 139, 168, 171, 187, 199, 201, 209, 224, 233
		22-50098-67C	11, 23, 39, 51, 66, 92, 104, 139, 168, 171, 187



INDEX

PART NO.	PAGE NO.	PART NO.	PAGE NO.
22-50098-67D	11, 23, 39, 51, 66, 92, 104, 139, 168, 171, 187, 199, 201, 209, 224, 233	22-60551-07	369
22-50098-71	313, 378, 379, 380	22-62002-00	112, 113, 137, 139, 140, 141, 159, 167, 168, 186, 187, 193, 195
22-50098-71A	378, 379, 380	22-62007-00	357
22-50098-71B	378, 379, 380	22-62012-00	246
22-50098-91	388	22-62035-00	119
22-50098-91A	383	22-62036-00	385, 387, 388
22-50099-27	208, 218, 235, 258	22-62037-00	385, 387, 388
22-50099-27A	208, 218, 235, 258	22-62038-00	387
22-50099-28	203, 228, 252, 288, 289, 290, 291	22-62039-01	385, 387, 388
22-50099-28A	203, 228, 252, 288, 289, 290, 291	22-62039-02	385, 387
22-50099-29	288, 289, 290, 291	22-62040-00	385, 387, 388
22-50099-29A	288, 289, 290, 291	22-62052-00	319
22-50099-32	10, 22, 38, 50, 91, 103, 108, 113, 137, 138, 141, 142, 159, 169, 176, 186	22-62053-00	317
22-50099-32A	10, 22, 38, 50, 91, 103, 108, 113, 137, 138, 141, 142, 159, 186	22-62100-01	8, 63
22-50099-32B	10, 22, 38, 50, 91, 103, 142	22-62100-03	388
22-50099-37	10, 22, 38, 50, 91, 103, 108, 113, 137, 138, 141, 142, 159, 169, 176, 186	22-62101-00	358
22-50099-37A	10, 22, 38, 50, 91, 103, 108, 113, 137, 138, 141, 142, 159, 169, 176, 186	22-62102-00	358
22-50099-37D	10, 22, 38, 50, 91, 103, 108, 113, 137, 138, 141, 142, 159, 169, 176, 186	22-62103-00	358
22-50343-00	261	22-62110-00	353, 354, 374, 375
22-50358-00	262	22-62119-00	353
22-50371-00	202, 203, 227, 228, 251	22-62119-01	353
22-50372-00	202, 203, 227, 228, 251	22-62119-02	353
22-60168-03	369	22-62122-00	365
22-60168-04	369	22-62123-00	197, 200
22-60254-08	138	22-62124-00	221, 225
22-60254-27	138	22-62125-00	2
		22-62131-00	364
		22-62141-00	35
		22-62141-01	63, 90
		22-62153-00	309
		22-62163-00	254
		22-62169-00	8, 36, 63, 90, 100, 357
		22-62175-00	179
		22-62205-00	224



INDEX

PART NO.	PAGE NO.	PART NO.	PAGE NO.
22-62206-00	199, 209	22-62282-00	135, 156
22-62210-00	354	22-62290-00	370
22-62210-01	354	22-62290-01	370
22-62210-02	354	22-62290-02	370
22-62210-04	354	22-62290-10	370
22-62210-05	354	22-62294-00	165
22-62212-00	367	22-62299-00	135
22-62212-01	367	22-62303-00	265
22-62212-02	367	22-62312-00	267
22-62213-00	367	22-62312-01	267
22-62213-01	367	22-62328-00	8, 353
22-62214-30	367	22-62328-01	35, 62, 353
22-62214-58	367	22-62328-02	8, 90, 353
22-62214-68	367	22-62328-03	35, 62, 353
22-62216-00	385, 387	22-62333-00	121
22-62221-02	167	22-62351-00	310
22-62237-00	388	22-62351-01	310
22-62238-00	354	23-0038	127, 128
22-62238-01	354	23-0582	125, 126
22-62238-02	354	25-0568	368
22-62238-03	354	25-0977	263
22-62240-00	2, 135	25-1163	127, 128
22-62240-01	195	25-3290	263
22-62243-00	309	26-0190	127, 128
22-62243-01	308, 309	27-0602	127, 128
22-62249-00	313	29-0437	128
22-62252-00	365		
22-62258-00	226, 227	3	
22-62260-00	201, 208	30-62004-00	359
22-62272-00	228	301-200-50	408
22-62273-00	202, 203, 208	31-1247	9, 30, 37, 58, 64, 77, 78, 87, 91, 107, 108, 142, 169, 170, 171, 176
22-62274-00	135	34-00373-05	407
22-62275-00	251	34-00373-27	407
22-62277-00	203, 252	34-00373-51	407



INDEX

PART NO.	PAGE NO.	PART NO.	PAGE NO.
34-00373-53	407	38-00573-10	161, 162
34-00482-05	8, 36, 63, 90	38-00573-11	172, 173
34-00945-10	330	38-00573-12	188, 189, 190, 191
34-06088-00	299, 305	38-50032-00	125, 126
34-06088-01	119, 121		
34-06088-04	120, 122	4	
34-06088-07	204, 210, 213, 214, 229, 236, 239, 240, 242, 243	40-00081-00	403
34-06121-03	299, 303	40-00097-10	249
34-06121-04	299, 303	40-00124-00	155
34-06169-01	12, 13, 40, 41, 67, 95, 96, 132, 196	40-00169-13	255
34-62015-00	295	40-00169-33	249
34-62016-00	297, 299, 301, 303, 305, 307, 312	40-00190-00	403
34-62017-00	309, 310	40-00201-04	254
34-62019-00	12, 13, 40, 41, 67, 95, 96, 132, 196	40-00243-21	330
34-62020-00	12, 13, 40, 41, 67, 95, 96, 132, 196	40-00490-12	255
34-67025-00	295	40-00491-00	245, 280, 299
35-1056	370	40-00491-01	117, 119, 121
38-00558-00	109, 410	40-00491-09	245, 249, 277, 279, 281
38-00564-50	8	40-00491-10	281
38-00564-51	36	40-00491-15	117, 120, 122
38-00564-52	90	40-00491-18	255
38-00564-53	63	40-00501-05	249, 279, 297, 299, 303, 305
38-00566-00	309, 310	40-00501-50	249, 279, 297, 299, 303, 305
38-00573-00	409	40-00503-03	297, 299, 303
38-00573-01	12, 13, 20, 21, 132, 147, 196, 409	40-00503-04	297, 299, 303
38-00573-02	40, 41, 48, 49, 95, 96, 409	40-00520-02	328
38-00573-03	101, 102, 409	40-00520-03	328
38-00573-04	67, 409	40-00541-00	406
38-00573-05	179, 409	40-00541-01	406
38-00573-06	160, 162, 409	40-00541-02	406
38-00573-07	60, 71, 74, 409	40-01124-00	120, 122, 178, 277, 281, 303, 307
38-00573-08	146, 147, 148, 150, 151, 152, 153, 410	40-60008-03	277, 279
38-00573-09	410	40-60008-04	278, 280, 282
		40-60009-03	277, 279
		40-60009-04	278, 280, 282



INDEX

PART NO.	PAGE NO.	PART NO.	PAGE NO.
40-60042-01	278, 282, 328	40-62119-00	325
40-62008-03	325, 330	40-62120-00	325
40-62008-04	325, 330	40-62125-08	278, 280, 282
40-62008-05	325, 330	40-62126-00	326
40-62019-01	327	40-62136-50	330
40-62019-02	327	40-62136-51	330
40-62019-03	327	40-64075-53	331
40-62032-01	254, 255, 297, 301, 303, 307, 313	40-64075-55	331
40-62032-02	249, 254, 313	40-64115-50	331
40-62033-03	325	40-64115-51	331
40-62033-04	325	40-67014-03	280
40-62033-05	325	42-00032-00	3, 33, 36, 63, 90, 125, 126, 135, 136, 156, 193, 195
40-62036-00	197, 221, 251, 254	42-00032-01	179
40-62043-00	327	42-00243-00	245, 280
40-62057-03	325	42-00243-03	245, 277, 279, 281
40-62058-00	327	42-00243-04	277, 279, 281
40-62068-00	326	42-00243-11	280, 297, 299, 303, 305
40-62068-01	326	42-00243-12	278, 280, 282
40-62070-00	327	42-00243-15	297, 299, 303, 305
40-62071-00	327	42-00243-21	329, 330
40-62078-00	325	42-00264-63	189
40-62079-00	325	42-60023-00	343
40-62090-00	326	42-62052-00	35, 63, 90
40-62091-00	326	42-62140-00	8, 19
40-62092-00	326	42-62140-01	35, 47, 62, 90
40-62095-00	328	42-62140-02	100
40-62096-00	328	44-00045-19	204, 210, 213, 214, 229, 236, 239, 240, 242, 243
40-62099-00	328	44-00045-20	297, 299, 303
40-62103-50	331	44-00045-28	408
40-62103-55	331	44-00285-72	407
40-62113-00	326	44-00285-81	297, 301, 303, 307
40-62113-01	326	44-00285-82	246, 249
40-62116-00	328	44-00285-83	246
40-62117-00	328	44-00337-08	407



INDEX

PART NO.	PAGE NO.	PART NO.	PAGE NO.
44-00337-11	407	50-62000-22	392
44-00337-12	120, 122	50-62000-23	393
44-50024-00	197, 221	50-62000-24	392
44-62003-00	408	50-62000-25	392
44-62003-01	408	50-62000-26	392
44-62003-02	408	50-62000-27	392
44-62003-03	408	50-62000-28	392
46-50004-00	348	50-62000-29	393
46-50006-00	348	50-62000-39	393
48-62013-00	389	50-62000-43	393
		50-62000-57	392
		50-62000-58	393
		50-62000-59	393
		50-62000-60	392
		50-62000-61	392
		50-62000-62	392
		50-62000-63	392
		50-62000-65	393
		50-62000-66	393
		50-62000-67	393
		50-62000-68	392
		50-62000-69	393
		50-62000-70	393
		50-62000-71	393
		50-62000-72	393
		50-62000-73	393
		50-62000-74	393
		50-62000-75	393
		50-62000-76	393
		50-62000-77	393
		50-62000-78	392
		50-62000-79	392
		50-62000-80	392
		50-62000-81	392
		50-62000-82	393

5

50-50062-00	348
50-50070-00	348
50-50072-00	348
50-50074-00	344
50-50076-00	344
50-60135-00	343
50-62000-00	392
50-62000-01	392
50-62000-06	393
50-62000-08	392
50-62000-09	392
50-62000-11	392
50-62000-12	392
50-62000-13	393
50-62000-14	393
50-62000-15	393
50-62000-16	392
50-62000-17	392
50-62000-18	392
50-62000-19	392
50-62000-20	392
50-62000-21	393



INDEX

PART NO.	PAGE NO.	PART NO.	PAGE NO.
50-62000-83	393	50-62019-34	395
50-62000-84	392	50-62019-40	395
50-62000-85	392	50-62019-45	395
50-62000-86	392	50-62019-67	395
50-62000-87	392	50-62019-68	395
50-62000-88	393	50-62019-69	395
50-62000-89	393	50-62025-00	390
50-62000-90	393	50-62029-00	391
50-62000-91	392	50-62031-00	391
50-62000-92	392	50-62032-00	391
50-62000-95	392	50-62040-00	391
50-62000-96	392	50-62041-00	391
50-62000-97	392	50-62045-00	391
50-62002-00	390	50-62045-01	391
50-62003-00	390	50-62048-00	391
50-62005-00	390	50-62049-00	391
50-62006-00	390	50-62051-00	389, 391
50-62007-00	390	50-62054-00	391
50-62009-00	390	50-62056-00	391
50-62009-02	390	50-62057-00	391
50-62010-00	396	50-62059-00	391
50-62010-01	396	50-62064-00	391
50-62010-13	396	50-62066-00	391
50-62010-14	396	50-62069-00	391
50-62010-17	396	50-62070-00	391
50-62010-20	396	50-62070-01	391
50-62010-22	396	50-62072-00	391
50-62010-23	396	50-62073-00	391
50-62011-00	390	50-62075-00	394
50-62012-00	390	50-62075-01	394
50-62014-00	390	50-62075-02	394
50-62017-00	390	54-00545-00	202, 227, 251, 254, 360
50-62019-00	395	54-00546-03	135, 361
50-62019-32	395	54-00583-00	308, 310
		54-00583-01	308, 309, 310



INDEX

PART NO.	PAGE NO.	PART NO.	PAGE NO.
54-00588-00	3, 33, 362	58-01382-00	399
54-00606-00	179, 362	58-01382-01	399
54-00618-01	197, 199, 200, 201, 203, 206, 217, 221, 224, 225, 226, 228, 231, 251, 257, 317, 319, 360	58-01383-00	399
54-00618-02	207, 232, 246, 251, 317, 319	58-01383-01	399
54-00618-03	213, 239, 242, 270	58-01384-00	399
54-00618-04	270	58-01384-01	399
54-00622-00	283	58-01385-00	402
54-00622-01	283	58-01385-01	402
54-00643-00	267	58-01386-00	4, 59, 402
54-00646-00	19	58-04764-00	204, 210, 213, 214, 229, 236, 239, 240, 242, 243
54-00646-01	47	58-50116-00	125
54-00646-02	100	58-50119-00	125, 126
54-00646-50	19, 47, 100	58-50120-00	125, 126
54-00646-60	19	58-50121-00	125, 126
54-00646-61	47	58-50122-00	125, 126
54-00646-62	100	58-50123-00	406
54-50080-00	197, 221, 360	58-62019-00	199, 200, 201, 202, 203, 206, 207, 210, 213, 224, 225, 226, 227, 228, 231, 232, 236, 239, 242, 251, 254, 317, 319
54-50107-00	125, 126	58-62030-00	397
54-50108-00	261, 262	58-62030-01	397
56-62123-00	118	58-62030-02	397
56-62134-00	120, 122	58-62030-10	397
58-00065-26	156, 179	58-62040-00	295
58-00065-27	122	58-62040-02	295
58-00065-51	309, 310	58-62042-00	12, 13, 20, 21, 40, 41, 48, 49, 67, 95, 96, 101, 102, 146, 147, 148, 150, 151, 153, 160, 161, 162, 188, 189, 190
58-00065-52	284, 285, 286	58-62062-00	397
58-00065-83	156, 179	58-62062-01	397
58-00079-02	231, 232, 246, 309	58-62062-02	397
58-00661-04	164, 182, 184	58-62062-10	397
58-00661-06	155	58-62064-00F25	8, 35, 62, 90
58-00661-07	139, 140, 187, 287, 288, 289, 290, 291	58-62077-00	12, 13, 40, 41, 95, 96, 402
58-01379-00	402		
58-01380-00	406		



INDEX

PART NO.	PAGE NO.	PART NO.	PAGE NO.
58-62121-00	325	68-08211-00	182
58-62142-02	406	68-08216-00	145
58-62142-03	406	68-08217-00	145
58-62156-12	172	68-08250-00	182
58-62159-00	406	68-08277-00	212
58-62172-00	313	68-08278-00	238
58-62184-00	399	68-15461-00	221
58-62186-00	19	68-62139-00	330
58-62186-01	47	68-62494-00	212
58-62186-02	100	68-62495-00	238
58-62191-00	399	68-63217-00	131
58-62204-00	399	68-63265-00	252, 259
58-62205-00	399	68-63268-00	193, 195
58-62209-00	152, 172, 173, 189, 191	68-63275-03	67
58-62223-00	267	68-63416-00	143
		68-63417-00	143
		68-63440-00	143
		68-63441-00	143
		68-63529-00	157
		68-63529-01	157
		68-63566-00	252
		68-63616-01	162
		68-63617-00	157
		68-63648-00	295
		68-63703-00	160
		68-63737-00	189
		68-63754-00	161, 162
		68-63756-00	144
		68-63757-00	144
		68-63763-00	144
		68-63764-00	144
		68-63808-01	172, 173
		68-63874-00	14, 42
		68-63875-00	14
		68-63878-00	42
6			
65-00193-00	204, 210, 213, 214, 217, 220, 229, 236, 239, 240, 242, 243, 257, 260		
65-01035-01	249		
65-62003-00	297, 301, 303, 307		
65-62003-01	297, 299, 301, 303, 305, 307		
65-62004-00	349		
66-U---1--1214-5	120, 122		
66U1-1214-5	117, 118		
66U1-3882	202, 203, 251, 309, 317, 319		
68-07962-00	160		
68-08121-01	219, 237, 239, 242		
68-08121-02	237		
68-08122-01	211, 213		
68-08122-02	211		
68-08123-00	237, 239, 242		
68-08124-00	211, 213		
68-08182-01	152		



INDEX

PART NO.	PAGE NO.	PART NO.	PAGE NO.
7			
73-62003-00	295	79-62074-00	80, 85
73-67002-00	283	79-62074-01	80, 85
76-62019-00	2, 3, 31, 33, 60, 80, 106, 357	79-62076-01	79
76-62139-00	369	79-62088-00	146
76-62257-00	8, 36, 63, 90	79-62088-02	146
77-00249-50	210	79-62088-03	146
77-00250-50	236	79-62096-00	147
77-62135-00	363	79-62096-02	147
77-62171-03	316	79-62096-04	148
79-02383-00	2, 27, 55	79-62096-05	148
79-62014-30	219	79-62096-06	150
79-62014-34	219	79-62096-07	150
79-62015-00	313	79-62096-08	151
79-62035-01	12	79-62096-09	151
79-62035-02	12	79-62097-00	148
79-62036-01	13	79-62097-01	148
79-62036-02	13	79-62105-00	313
79-62044-01	40, 95, 96	79-62106-00	8
79-62044-02	40, 96	79-62106-01	35
79-62045-01	41	79-62106-02	90
79-62045-02	41	79-62107-00	62
79-62046-02	95	79-62117-00	162
79-62056-00	132	79-62117-01	162
79-62064-00	196	79-62118-00	150
79-62065-01SV	67	79-62118-01	150
79-62065-02SV	67	79-62118-02	151
79-62070-01	114	79-62118-03	151
79-62071-00	1, 28	79-62119-00	172
79-62071-01	1, 28	79-62119-01	173
79-62072-00	56	79-62122-00	161
79-62072-01	56	79-62122-01	161
79-62073-00	60, 75	79-62122-02	161
79-62073-01	60, 75	79-62122-03	161
		79-62125-00	188
		79-62125-01	188



INDEX

PART NO.	PAGE NO.	PART NO.	PAGE NO.
79-62125-03	189	86-62509-00	182
79-62125-04	189	86-62557-00	165, 166
79-62125-05	190	86-62565-00	268
79-62125-06	190	86-62565-01	268
79-62125-07	190	86-62577-00	143
79-62125-09	191	86-62587-00	184
79-62127-00	71, 74	86-62588-00	185
79-62128-00	84	86-62589-00	185
79-62129-00	111		
79-62136-00	267	9	
79-62136-01	267	91-62011-00	386
		91-62011-01	384
8		91-62016-00	364
801-202	166, 175	91-62035-00	383
801-307	146, 147		
81-62062-00	245, 247	A	
81-62122-00	254	AC-801-529-2	172, 173
81-62128-00	255	AC010-006	363
81-62129-00	255	AC010-007-1	398
81-62138-00	322	AC010-007-2	398
81-62138-01	322	AC010-008	398
81-62138-02	322	AC010-204	363, 364
81-62145-01	323	AC011-031	398
81-62151-00	313	AC011-032-1	398
81-62169-00	267	AC011-032-2	398
81-62170-00	267	AC011-049	398
86-62150-00	321	AC011-049-2	398
86-62150-01	321	AC020-009	80
86-62243-00	131	AC020-174	14
86-62262-00	193	AC021-190-1	109
86-62437-00	143	AC021-190-2	109
86-62449-00	157	AC021-344	117
86-62460-00	135, 136, 175	AC021-348	120
86-62497-00	195	AC021-366	109
		AC022-251	28, 56



INDEX

PART NO.	PAGE NO.	PART NO.	PAGE NO.
AC022-252	75	AC033-160	244
AC022-253	85	AC033-162	244
AC022-313	3, 31, 33	AC033-163	244
AC022-313-2	156	AC033-211P	251
AC022-313-3	179	AC033-219	197
AC022-313-4	165, 166	AC033-220	221
AC022-313-5	182, 184	AC033-135	221
AC022-314	60, 117, 118, 119, 121	AC033-136	197
AC022-717	2	AC040-074	131, 361, 362
AC022-743	193, 195	AC040-076	404
AC022-743-9	164	AC040-103	404
AC022-744	131, 193	AC051-1111P	390
AC022-746	111	AC051-1112P	390
AC022-746-1	131, 193	AC051-1116P	390
AC030-234	197, 202, 221, 227, 245, 251, 254, 317, 319	AC051-1173	345
AC030-313	245	AC051-586	389
AC030-314	245	AC101-100	404
AC030-315	245	AC101-101	404
AC030-340	245	AC101-102	404
AC033-133P	221	AC101-103	404
AC033-134P	197	AC101-108	404
AC033-142	197	AC101-200	197, 221, 404
AC033-143	222	AC101-202	404
AC033-144	221	AC101-203	249, 404
AC033-145	197, 222, 320	AC101-301	405
AC033-146	197	AC101-302	405
AC033-147	222	AC101-303	405
AC033-150	212	AC101-304	405
AC033-151	238, 242	AC101-305	405
AC033-154	244	AC101-306	405
AC033-155	244	AC101-307	405
AC033-156	244	AC101-310	405
AC033-157	244	AC101-311	125, 126, 405
AC033-158	244	AC101-312	197, 221, 405
		AC101-400	403



INDEX

PART NO.	PAGE NO.	PART NO.	PAGE NO.
AC101-401	403	AC201-408	357
AC101-403	403	AC201-409	357
AC101-404	403	AC201-410	357
AC101-405	403	AC201-412	2, 3, 8, 19, 27, 31, 33, 36, 47, 55, 60, 63, 71, 74, 80, 84, 90, 100, 106, 111, 131, 135, 136, 155, 164, 179, 182, 184, 195, 197, 221, 251, 357
AC101-406	403	AC201-414	197, 204, 210, 221, 229, 236, 251, 267, 317, 319, 357
AC101-407	403	AC201-500	8, 357, 363, 364, 365, 366
AC101-408	403	AC201-501	1, 31, 60, 80, 106, 111, 118, 357
AC101-412	403	AC201-508	383, 384, 386
AC101-415	403	AC201-600	107, 179, 357, 375, 380
AC101-422	117, 120, 122	AC201-609	357
AC101-425	403	AC201-610	357
AC101-426	403	AC201-611	357
AC101-427	403	AC201-615	245
AC101-428	403	AC201-616	357
AC101-429	403	AC201-623	357
AC101-430	403	AC201-634	383, 384, 386, 388
AC101-441	403	AC201-702	357
AC201-101	356	AC201-703	357
AC201-102	356	AC201-706	357
AC201-105	125, 126, 356, 373, 374, 375, 376	AC201-707	357
AC201-105-1	356, 373	AC201-800	355
AC201-106	356, 374, 375	AC201-803	355
AC201-107	356, 373	AC201-804	355
AC201-109	356	AC201-805	355
AC201-112	356, 373, 374, 375, 376	AC201-812	355
AC201-113	356	AC201-901	373, 374, 375, 376, 383, 384, 385, 386, 387, 388
AC201-119	356	AC201-902	363, 365
AC201-121	356	AC201-905	107, 108, 208, 209, 218, 233, 234, 235, 258, 358
AC201-302	355	AC201-910	358
AC201-303	355	AC201-921	358
AC201-305	355, 363, 365, 366	AC201-922	354
AC201-400	357		
AC201-403	357		
AC201-404	357		



INDEX

PART NO.	PAGE NO.	PART NO.	PAGE NO.
AC201-931	373, 374, 375, 376, 383, 384, 385, 386, 387, 388	AC302-437	331
AC201-951	124	AC302-440	328
AC201-952	124	AC302-441	328
AC202-300	363, 364, 365, 366	AC302-450	327
AC202-301	363, 364, 365	AC302-453	327
AC202-303	363, 364, 365, 366	AC302-454	327
AC202-305	363	AC302-459	331
AC202-307	363, 364, 365, 366	AC302-494	331
AC202-501	384, 386	AC302-495	331
AC202-502	385, 387	AC401-100	360
AC301-202	397	AC401-110	197, 221, 360
AC301-204	408	AC401-200A	361
AC301-205	4, 59, 397	AC401-202	135, 361
AC301-219	397	AC401-203	111, 156, 165, 182, 184, 193, 195, 362
AC301-239	408	AC401-204	111, 361
AC301-240	125, 126, 408	AC401-209A	361
AC301-419	331	AC401-210A	361
AC301-441	197, 221, 327	AC401-214	361
AC301-447	331	AC401-215	117, 118, 119, 121, 361
AC301-452	327	AC401-217	118, 361
AC301-453	327	AC401-220	117, 118, 119, 121, 361
AC301-459	327	AC401-221	361
AC301-900	406	AC401-222	361
AC301-901	406	AC401-229	361
AC301-902	406	AC401-232	1, 31, 60, 80, 106, 362
AC301-903	406	AC401-233	1, 31, 60, 80, 106, 362
AC301-904	406	AC401-300	402
AC301-905	406	AC401-301	402
AC301-907	406	AC401-302	152, 402
AC301-908	406	AC401-306	4, 59, 402
AC301-908-5	406	AC401-307	4, 59, 402
AC302-305	364, 365, 366	AC401-308	79, 402
AC302-432	331	AC401-309	402
AC302-436	331	AC401-310	402
		AC401-312	402



INDEX

PART NO.	PAGE NO.	PART NO.	PAGE NO.
AC401-313	402	AC501-291	343
AC401-314	402	AC501-292	343
AC401-315	402	AC501-298A	337
AC401-320	1, 4, 28, 31, 56, 59, 60, 75, 80, 85, 114, 160, 179, 402	AC502-208A	339
AC401-322	402	AC502-209A	339
AC401-323	402	AC502-213A	345
AC501-102A	360	AC502-215A	340
AC501-103A	360	AC502-216	347
AC501-122	117, 118, 119, 121, 360	AC601-336	390
AC501-201A	347	AC601-500	389
AC501-218	345	AC601-505	389
AC501-218A	345	AC601-508	389
AC501-221	345	AC601-511	389
AC501-223A	336	AC601-519	389
AC501-226A	334	AC601-520	389
AC501-236	335	AC601-522	389
AC501-247	335	AC601-524	389
AC501-248	336	AC601-525	389
AC501-249A	334	AC601-527	389
AC501-252A	334	AC601-528	389
AC501-253	345	AC601-538	389
AC501-257	335	AC601-542	389
AC501-266A	339	AC601-545	389
AC501-267A	339	AC601-547	389
AC501-268A	339	AC601-548	389
AC501-270A	338	AC601-602	14, 42
AC501-271A	338	AC601-609	249
AC501-273A	338	AC601-615	249
AC501-277A	345	AC601-616	14, 42
AC501-277B	345	AC601-618	249
AC501-282A	337	AC701-101	90, 131, 164, 297, 299, 301, 303, 307
AC501-285	338	AC701-103	398
AC501-286	338	AC701-106	114
AC501-289A	337	AC701-106-2	188, 189, 190
		AC701-123	15, 43, 60, 79, 80, 90, 111



INDEX

PART NO.	PAGE NO.	PART NO.	PAGE NO.
AC701-201	407	AC701-401	33, 398
AC701-205	408	AC801-201	329
AC701-206	363, 364, 365, 366, 409	AC801-202	2, 3, 8, 19, 27, 31, 33, 36, 47, 55, 60, 63, 71, 74, 80, 84, 90, 100, 106, 111, 131, 135, 136, 155, 179, 182, 184, 193, 195, 197, 221, 251, 254, 267, 315, 329, 330
AC701-207	408	AC801-203	313, 329, 330
AC701-208	409	AC801-207	329
AC701-210	408	AC801-217	329
AC701-211	408	AC801-220	197, 221
AC701-212	409	AC801-222	329, 330
AC701-221	407	AC801-300	131
AC701-222	407	AC801-307	148, 149, 150, 151, 152, 153, 161, 162, 189, 190, 191
AC701-224	407	AC801-403	80, 196
AC701-226	407	AC801-405	1, 3, 27, 33, 55, 410
AC701-227	407	AC801-412	172, 173
AC701-229	408	AC801-412F25	14, 31, 33, 60, 79, 80, 125, 126, 197, 222
AC701-230	407	AC801-414	60, 80, 156, 162, 172, 173, 179, 182, 184, 193, 195, 297, 299, 301, 303, 307
AC701-233	407	AC801-415	164
AC701-235	409	AC801-416	106, 179, 193, 195
AC701-237	409	AC801-443	117, 118, 119, 121, 410
AC701-240	407	AC801-451	31
AC701-241	407	AC801-452	410
AC701-242	407	AC801-461	111, 410
AC701-243	249, 409	AC801-462	80, 84, 410
AC701-245	407	AC801-529	2, 15, 43, 67, 160, 179
AC701-246	407	AC801-529-1	188, 189, 190, 191
AC701-247	408	AC801-529-2	161
AC701-248	407	AC801-531	2, 15, 43, 67, 79, 160, 161, 179, 188, 189, 190, 191
AC701-251	409	AC801-532	2, 15, 43, 67, 79, 161, 188, 189
AC701-252	409		
AC701-253	409	C	
AC701-254	407	CM205-197	197, 221
AC701-263	407		
AC701-269	197, 221, 251, 408		
AC701-274	409		



INDEX

PART NO.	PAGE NO.	PART NO.	PAGE NO.
S			
SES132236	264	Y25-00001-05	355, 373, 374, 375, 376
T			
T25-3756	368	Y25-00006-00	165
T35-1298	368	Y25-00012-00	371
T35-1299	368	Y25-00013-00	371
T35-1300	368	Y25-00014-00	371
T41-0018-00	270	Y25-00022-00	365
Y			
Y15-00002-00	166	Y25-00031-00	371
Y15-00002-01	166	Y25-00032-00	371
Y15-00003-00	27, 55, 71, 74, 84, 136, 175	Y25-00059-00	135
Y21-00004-01	276	Y25-00089-00	354, 355, 373, 374, 375, 376
Y23-00002-00	20, 21, 48, 49, 67, 101, 102, 152	Y25-00106-01	136
Y24-00021-00	185	Y26-00054-00	277, 281
Y24-00022-00	185	Y26-00054-01	277, 281
Y24-00023-00	185	Y26-00054-02	279
Y24-00024-00	185	Y26-00077-00	350
Y24-00108-00	20, 21	Y26-00077-01	351
Y24-00109-00	48, 49	Y26-00077-02	352
Y24-00110-00	101, 102	Y26-00084-00	270
Y24-00185-00	268	Y27-00186-00	328
Y24-00186-00	145, 177	Y27-00186-01	328
Y24-00187-00	145, 177	Y28-00007-00	109
Y24-00196-00	366	Y28-00014-00	173
Y24-00196-01	366	Y28-00023-00	152
Y24-00550-00	400	Y28-00025-00	20
Y24-00551-00	400	Y28-00025-01	20
Y24-00642-00	259	Y28-00025-02	21
Y24-00646-00	400	Y28-00025-03	21
Y24-00653-00	259	Y28-00026-00	48
		Y28-00026-01	48
		Y28-00026-02	49
		Y28-00026-03	49
		Y28-00027-00	101
		Y28-00027-01	101
		Y28-00027-02	102
		Y28-00027-03	102



INDEX

PART NO.	PAGE NO.	PART NO.	PAGE NO.
Y28-00037-00	275	Y45-00005-52	90
Y28-00037-01	275	Y45-00005-53	8
Y28-00037-02	275	Y45-00005-54	35, 62
Y28-00041-00	398	Y45-00005-55	90
Y28-00041-01	398	Y60-00042-00	344
Y28-00064-00	271	Y60-00044-00	344
Y28-00064-01	271	Y61-Q1601-00	342
Y28-00064-02	271	Y61-Q1601-01	342
Y28-00064-03	271	Y61-Q1601-02	342
Y30-13000-00	29, 30, 57, 58, 76, 77, 78, 86, 87, 287, 288, 289, 290, 291	Y61-Q1601-03	342
Y31-00007-00	10, 22, 30, 38, 50, 58, 65, 77, 87, 93, 103	Y61-Q1601-04	342
Y31-00007-50	10, 22, 30, 38, 50, 58, 65, 77, 87, 93, 103	Y61-Q1601-05	337
Y31-00007-51	10, 22, 30, 38, 50, 58, 65, 77, 87, 93, 103	Y61-Q2101-00	344
Y31-00008-00	287, 288, 289, 290, 291	Y61-Q2101-01	344
Y31-00033-01	176	Y61-Q2101-02	344
Y31-00033-02	176	Y61-Q2101-03	344
Y35-00010-00	19, 47	Y61-Q2101-04	344
Y35-00013-04	287, 290, 291	Y61-Q3101-00	346
Y35-00013-05	288, 289, 290, 291	Y61-T1501-00	339
Y45-00005-50	8	Y74-CM141-50	260
Y45-00005-51	35, 62	Y74-CM201-50	214
		Y74-CM2L1-50	220
		Y74-CM301-50	240
		Y74-CM303-50	243

Every driver deserves the best possible vehicle climate with MCC products

MCC provides exceptional performance in mobile climate comfort.



www.mcc-hvac.com

Member of MCC Group • Certified ISO 9001 and ISO 14001.
Specifications subject to change without notice. MCC is a registered trademark.