

D

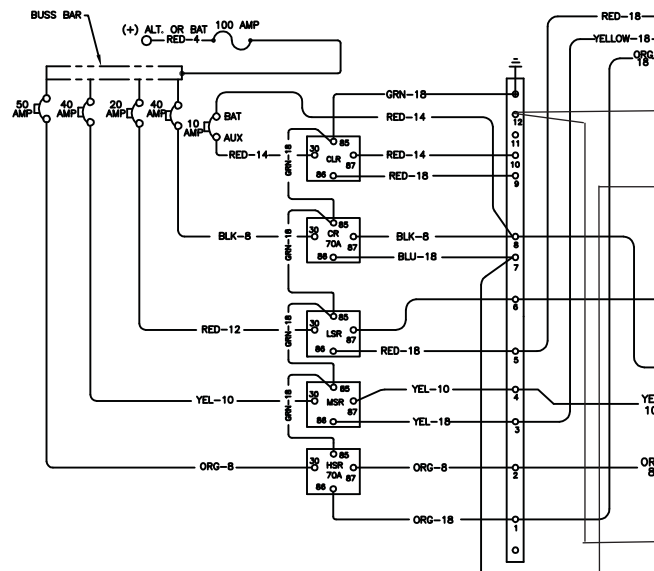
C

B

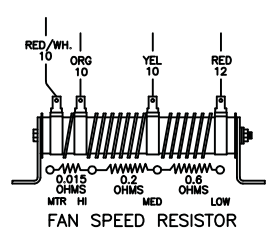
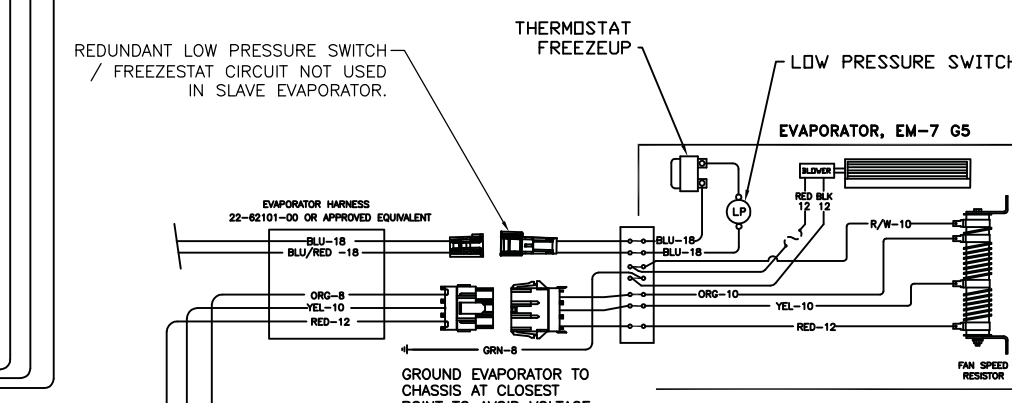
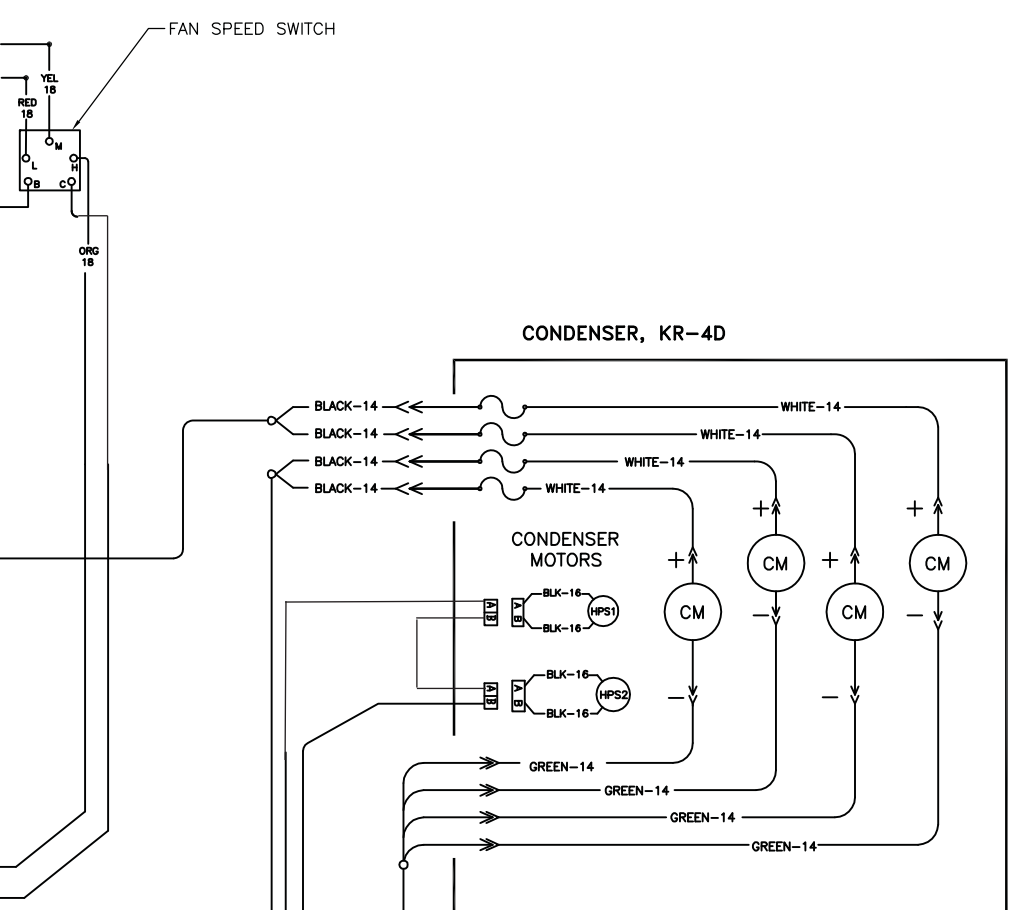
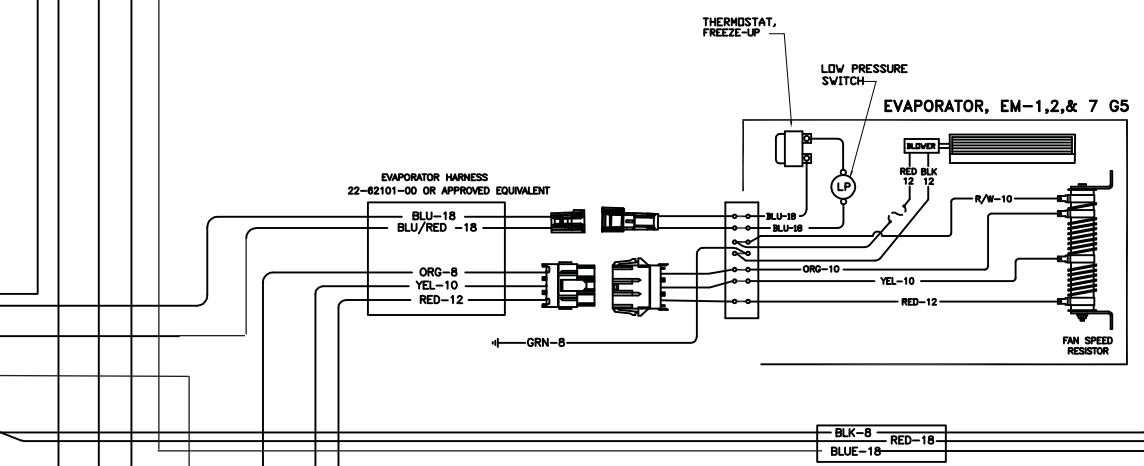
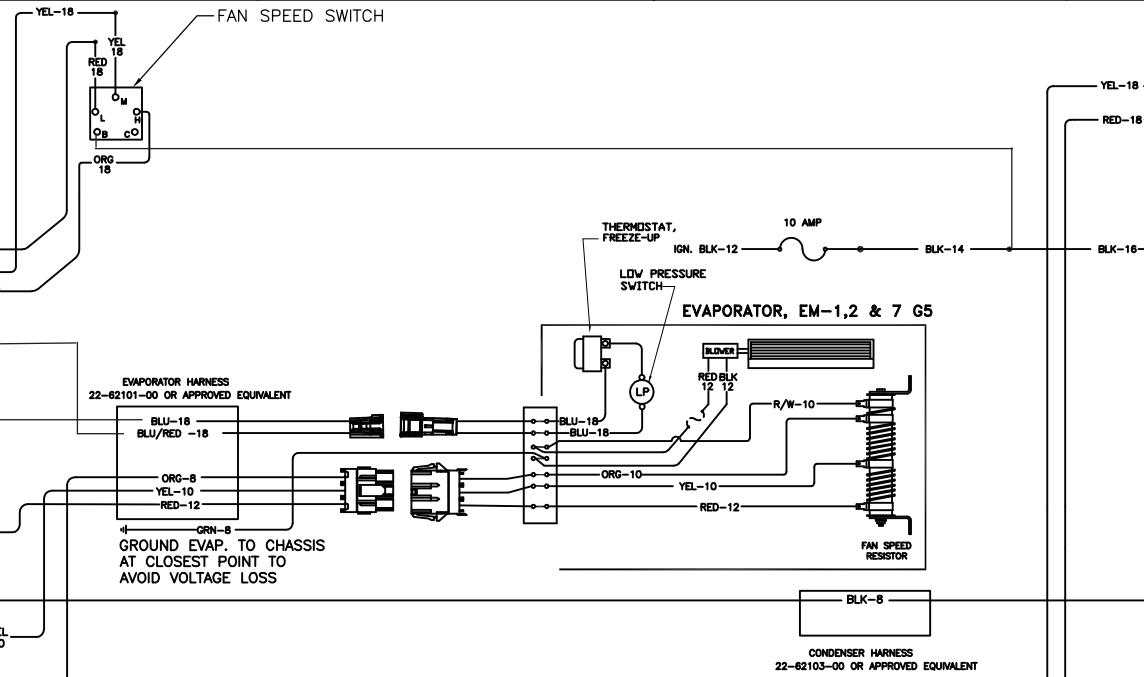
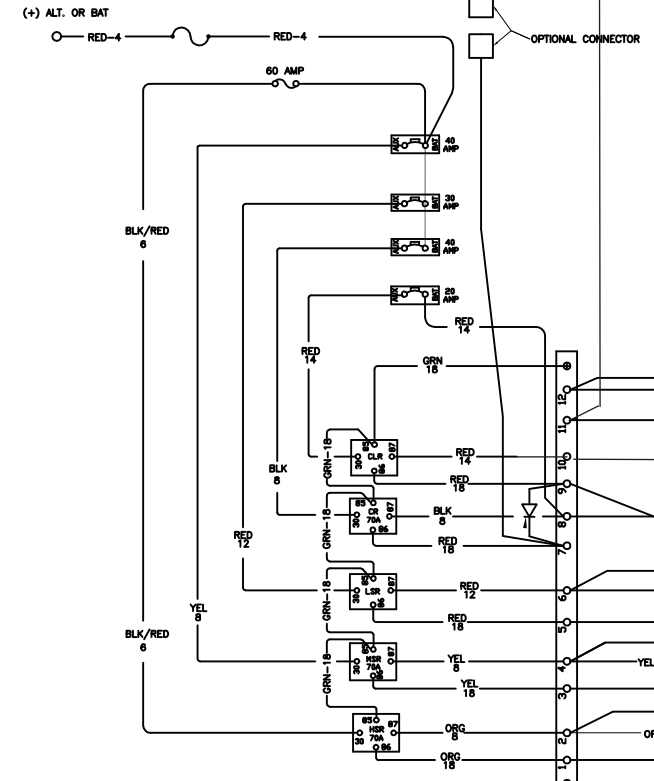
A

PANEL ASSY #Y25-00012-00

BATTERY FUSE NOTE:
 FUSE (100 AMP) MUST BE MOUNTED WITHIN 12" OF THE SOURCE. FUSE MCC PART NO. 22-02336-31 AND HOLDER 22-01800-00 SHOULD BE HOOKED UP WITH RED 4 GAUGE SOX WIRE MCC P/N 22-62241.



PANEL ASSY #Y25-00012-00



1	INITIAL RELEASE	12 DEC 13	KLH						
SYM	REVISION RECORD	DATE	BY	ENGR.	M.E.	NPCA NO.	WEIGHT	MFG/PURCH	MFG

IMPERIAL INCH FORMAT:
 UNLESS OTHERWISE SPECIFIED DIMENSIONS ARE IN INCHES, WITH METRIC CONVERSIONS IN [MILLIMETERS].

THIRD ANGLE PROJECTION

UNLESS OTHERWISE SPECIFIED TOLERANCES ON:
 .00 DEC .000 DEC DEC ANG
 ± .04 ± .020 ± ± 2'
 [.0] DEC [.00] DEC DEC []
 ±[1.0] ±[.50] ± []

MATERIAL

SURFACES: ✓ AA
 HOLE DIA: ± .005 ± [.13]
 HOLE SPACING: ± .015 ± [.38]
 HOLE LOC: ± .03 ± [.8]
 NON-CUMULATIVE

DIMENSIONS IN (PARENTHESIS) ARE FOR INFORMATION ONLY. TOLERANCES DO NOT APPLY.

TRANSARCTIC

TITLE: **WIRE DIAGRAM**
 (3) EM W/KR4 3 SPD CTRL

SIZE: **D** DRAWING NO.: **KH9** REV: **1**

NEXT DRAWING: NONE SCALE: 1:2