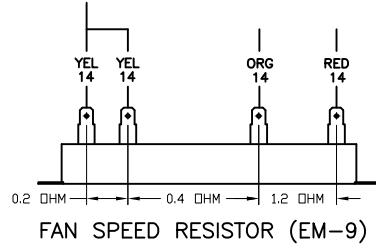
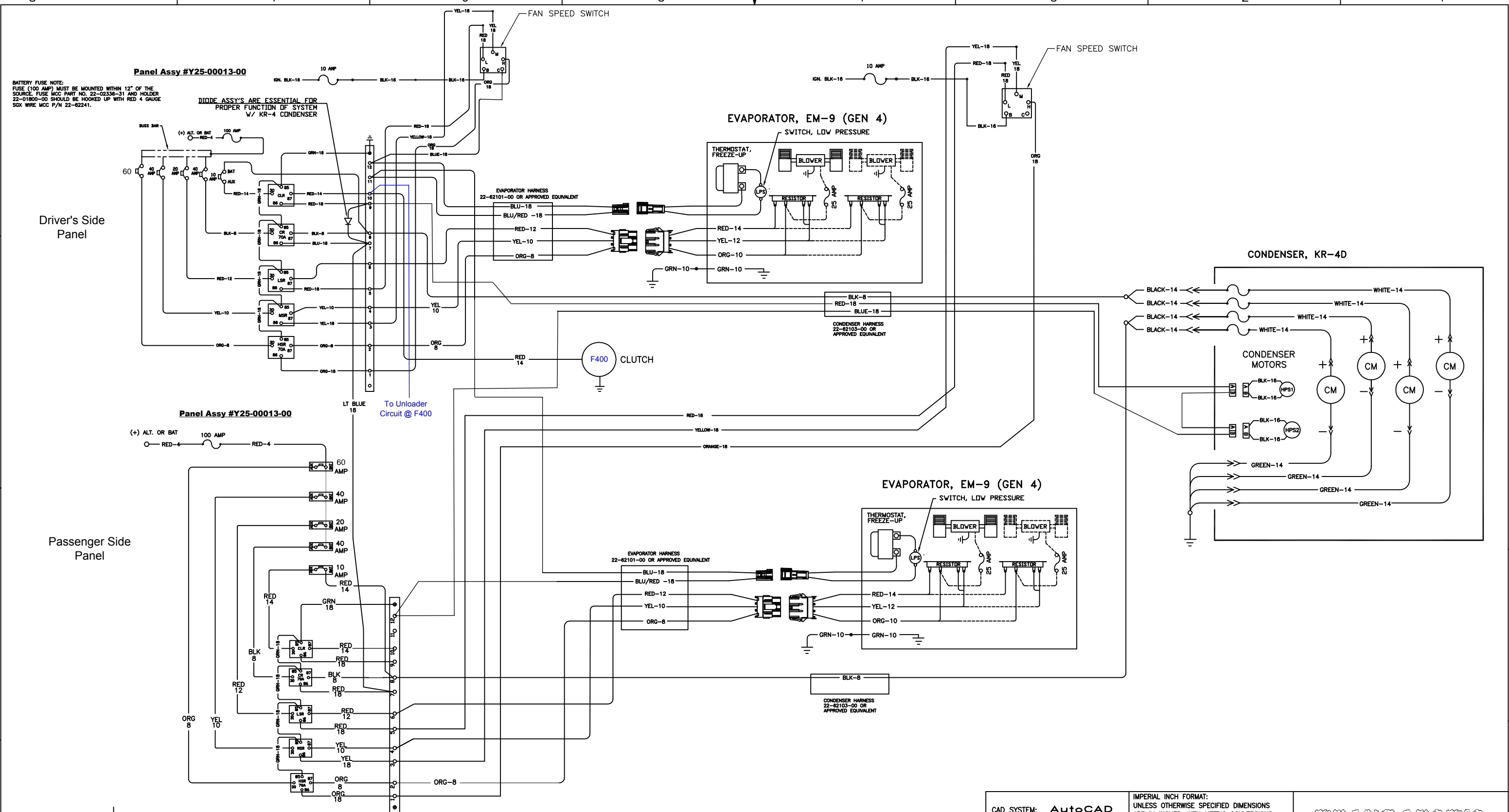


D

C

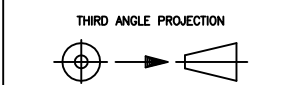
B

A



1	INITIAL RELEASE	18 MAR 14	KLH						
SYM	REVISION RECORD	DATE	BY	ENGR.	M.E.	NPCA NO.	WEIGHT	MFG/PURCH	MFG

CAD SYSTEM: AutoCAD



MATERIAL

IMPERIAL INCH FORMAT:
 UNLESS OTHERWISE SPECIFIED DIMENSIONS ARE IN INCHES, WITH METRIC CONVERSIONS IN [MILLIMETERS].

UNLESS OTHERWISE SPECIFIED TOLERANCES ON:			
.00 DEC	.000 DEC	DEC	ANG
± .04	± .020	±	± 2'
[.0] DEC	[.00] DEC	DEC	[]
± [1.0]	± [.50]	±	[]

SURFACES	HOLE DIA	HOLE SPACING	HOLE LOC
✓ AA	± .005 ± [.13]	± .015 ± [.38] NON-CUMULATIVE	± .03 ± [.8]

DIMENSIONS IN (PARENTHESIS) ARE FOR INFORMATION ONLY. TOLERANCES DO NOT APPLY.

TRANSARCTIC

TITLE
WIRE DIAGRAM
 (2)EM GIV W/KR4, 3 SPD

SIZE	DRAWING NO.	REV
D	KH11	1
NEXT DRAWING	NONE	SCALE
		1:2

DWG NO 1 REV 1 COMMODITY CODE