

# Bill of Materials Listing

TransArctic Canada Inc.

2/27/2009  
Page 1 of 1

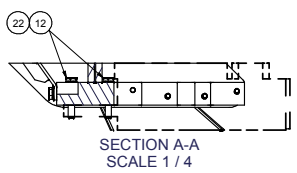
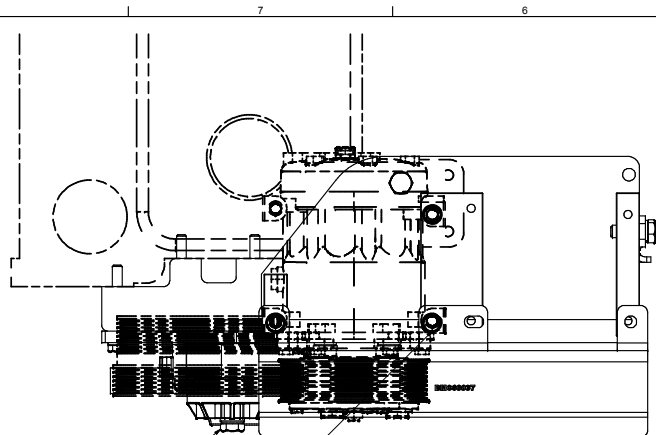
Product Number	Description	Date	Weight	Uof M	Yield
Line    Component    Prod#    Description	Bin	Unit	Qty		
<b>KMC61070</b>	<b>Mt Kit, ISB, 6.7L, BBCV, 1 TM-16, '07</b>	<b>3/31/2007</b>	<b>48.34</b>		<b>0</b>
10 BEL61392	Belt, 6gr, 1392mm (54.8") (5060548)	each	1		
15 BMC60037	Bkt, Shroud, Cover, 12 Ga. (.1046")	each	1		
20 BMC67001	Bkt, Main, Weldmt, 6.7L, ISB, Conv	each	1		
30 BMC67002	Bkt, Main, Spacer, Block, 6.7L, ISB,Conv	each	1		
40 BMC67003	Bkt, Brace, Diag, D/S, Sup,6.7,LISB,Conv	each	1		
50 SCD85910	Spacer, Col,Drl,187.15mm x25.4o x10.32i	each	1		
60 PUL81074	Pulley, Idler, Frontside, P8,74d (89103)	each	1		
70 TEN80002	Tenr, HD Spring, BackSide, CCW (89200A)	each	1		
80 KBC61370	Bag Kit, Fasteners, KMC61370/KMC61070	each	1		

# Bill of Materials Listing

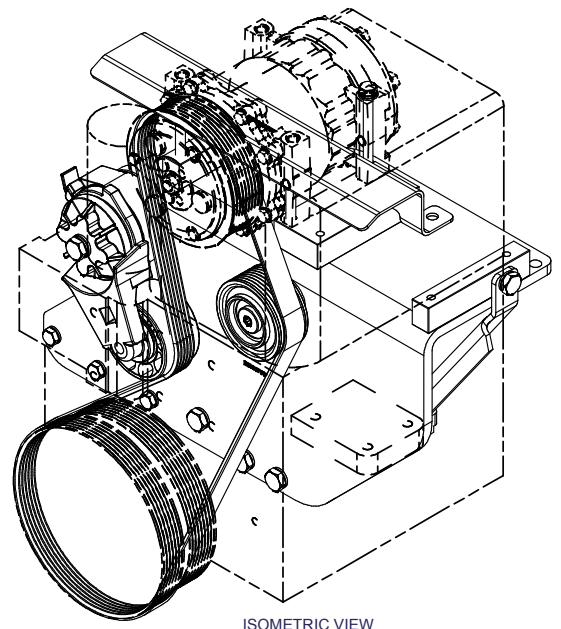
TransArctic Canada Inc.

2/27/2009  
Page 1 of 1

Product Number	Description	Date	Weight	Uof M	Yield
Line    Component    Prod#	Description	Bin                    Unit	Qty		
<b>KBC61370</b>	<b>Bag Kit, Fasteners, KMC61370/KMC61070</b>		<b>3/31/2006</b>	<b>1.69</b>	<b>0</b>
10	BTS10001	Bolt, Shoulder, 10mm (89064)	each	1	
12	BTC10220	Bolt, Hex, 10 x 1.5 x 220mm, 10.9, Plt	each	1	
15	BTC10080	Bolt, Hex, 10 x 1.5 x 80mm, 10.9, Plt,FT	each	1	
17	BTC10060	Bolt, Hex, 10 x 1.5 x 60mm, 10.9, Plt	each	2	
20	BTC10040	Bolt, Hex, 10 x 1.5 x 40mm, 10.9, Plt,FT	each	1	
30	BTC10030	Bolt, Hex, 10 x 1.5 x 30mm, 10.9, Plt	each	4	
35	BTC10025	Bolt, Hex, 10 x 1.5 x 25mm, 10.9, Plt	each	1	
40	BTC08100	Bolt, Hex, 8 x 1.25 x 100mm, 10.9, Plt	each	3	
50	BTC08090	Bolt, Hex, 8 x 1.25 x 90mm, 10.9, Plt	each	2	
60	BTC08065	Bolt, Hex, 8 x 1.25 x 65mm, 10.9, Plt	each	1	
100	WFA08000	Washer, Flat, 8mm, 8.8, Plt	each	3	
105	WFA10000	Washer, Flat, 10mm, 8.8, Plt	each	1	
110	WLA08000	Washer, Lock, 8mm, 8.8, Plt	each	6	
120	WLA10000	Washer, Lock, 10mm, 8.8, Plt	each	10	

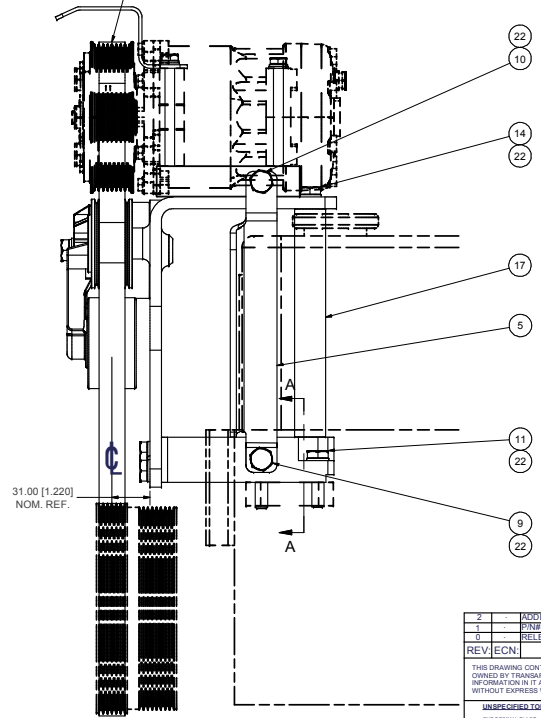
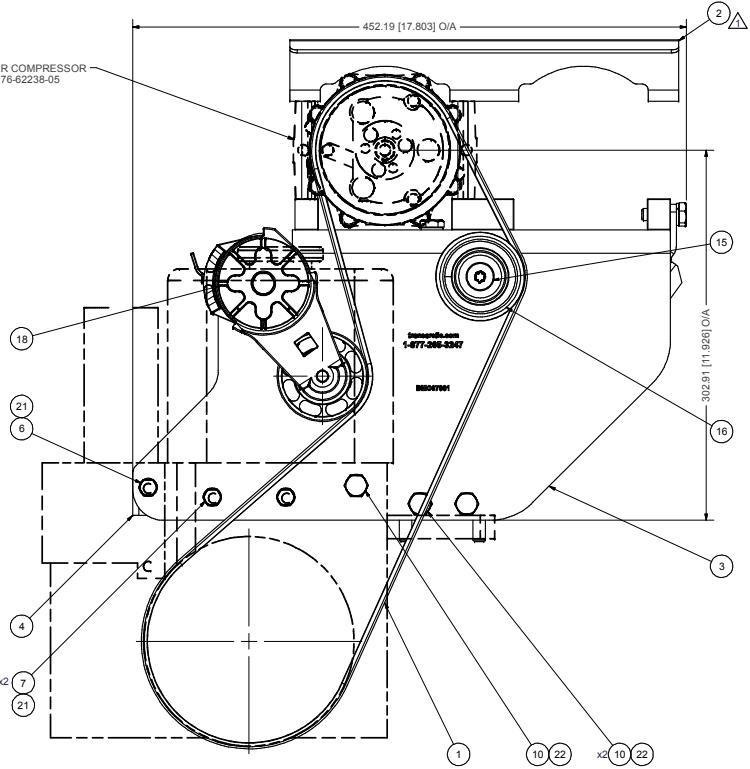


NOTE:  
INSTALL THE 6 GR. BELT ON THE  
MIDDLE 6 GROOVES OF THE 8 GR.  
COMPRESSOR PULLEY.



NOTES:  
1) USE SERVICABLE THREADLOCKER ON ALL FASTENERS TO ENGINE COMPONENTS AND TORQUE ALL BOLTS TO S.A.E. SPECIFICATIONS.  
2) SEE "TRANSARCTIC A/C COMPRESSOR MOUNT INSTALLATION DISCLAIMER".

NOTE:  
CARRIER COMPRESSOR  
PART#: 76-62238-05



ITEM	QTY	U/M	PART NUMBER	DESCRIPTION
22	10	EACH	WLA10000	WASHER, LOCK, 10mm, 8.8, PLT
21	6	EACH	WLA08000	WASHER, LOCK, 8mm, 8.8, PLT
20	1	EACH	WFA10000	WASHER, FLAT, 10mm, 8.8, PLT
19	3	EACH	WFA08000	WASHER, FLAT, 8mm, 8.8, PLT
18	1	EACH	TEN80002	TENR, HD SPRING, BACKSIDE, CCW
17	1	EACH	SCD85510	SPACER, COL, DRL, 187, 15mm x25.4o x10.32i
16	1	EACH	PUL81074	PULLEY, IDLER, FRONTSIDE, P8, 74d x 39w
15	1	EACH	BTS10001	BOLT, SHOULDER, 10mm (IDLER PULLEY)
14	1	EACH	BTC10220	BOLT, HEX, 10 x 1.5 x 220mm, 10.9, PLT
13	1	EACH	BTC10080	BOLT, HEX, 10 x 1.5 x 80mm, 10.9, PLT
12	2	EACH	BTC10060	BOLT, HEX, 10 x 1.5 x 60mm, 10.9, PLT
11	1	EACH	BTC10040	BOLT, HEX, 10 x 1.5 x 40mm, 10.9, PLT
10	4	EACH	BTC10030	BOLT, HEX, 10 x 1.5 x 30mm, 10.9, PLT
9	1	EACH	BTC10025	BOLT, HEX, 10 x 1.5 x 25mm, 10.9, PLT
8	3	EACH	BTC08100	BOLT, HEX, 8 x 1.25 x 100mm, 10.9, PLT
7	2	EACH	BTC08090	BOLT, HEX, 8 x 1.25 x 90mm, 10.9, PLT
6	1	EACH	BTC08065	BOLT, HEX, 8 x 1.25 x 65mm, 10.9, PLT
5	1	EACH	BMC67003	BKT, BRACE, DIAG, D/S, SUP, 6.7L, ISB, CON
4	1	EACH	BMC67002	BKT, MAIN, SPACER, B LOCK, 6.7L, ISB, CONV
3	1	EACH	BMC67001	BKT, MAIN, WELDMT, 6.7L, ISB, CONV
2	1	EACH	BMC60037	BKT, SHROUD, COVER, 1.2 GA, (1046")
1	1	EACH	BEL1392	BELT, 6gr, 1392mm (54.8")

REV	ECN	DESCRIPTION	DATE	BY	APP
2		ADDED NOTES	5/26/2007	VAL	
1		PNR BMC60037 ADDED TO BOM	12/20/2005	JRR	
0		RELEASED TO PRODUCTION	5/26/2007	VAL	
		DESCRIPTION	DATE	BY	APP
		WFG	5/26/2007	James Stewart	
		WFG	5/26/2007	Val Jakowlew	
		APPROVED	5/26/2007	Dale Mason	

**TRANSARCTIC INC.**

MT KIT, ISB, 6.7L, BBCV, 1 TM-16, '07

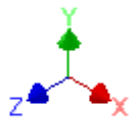
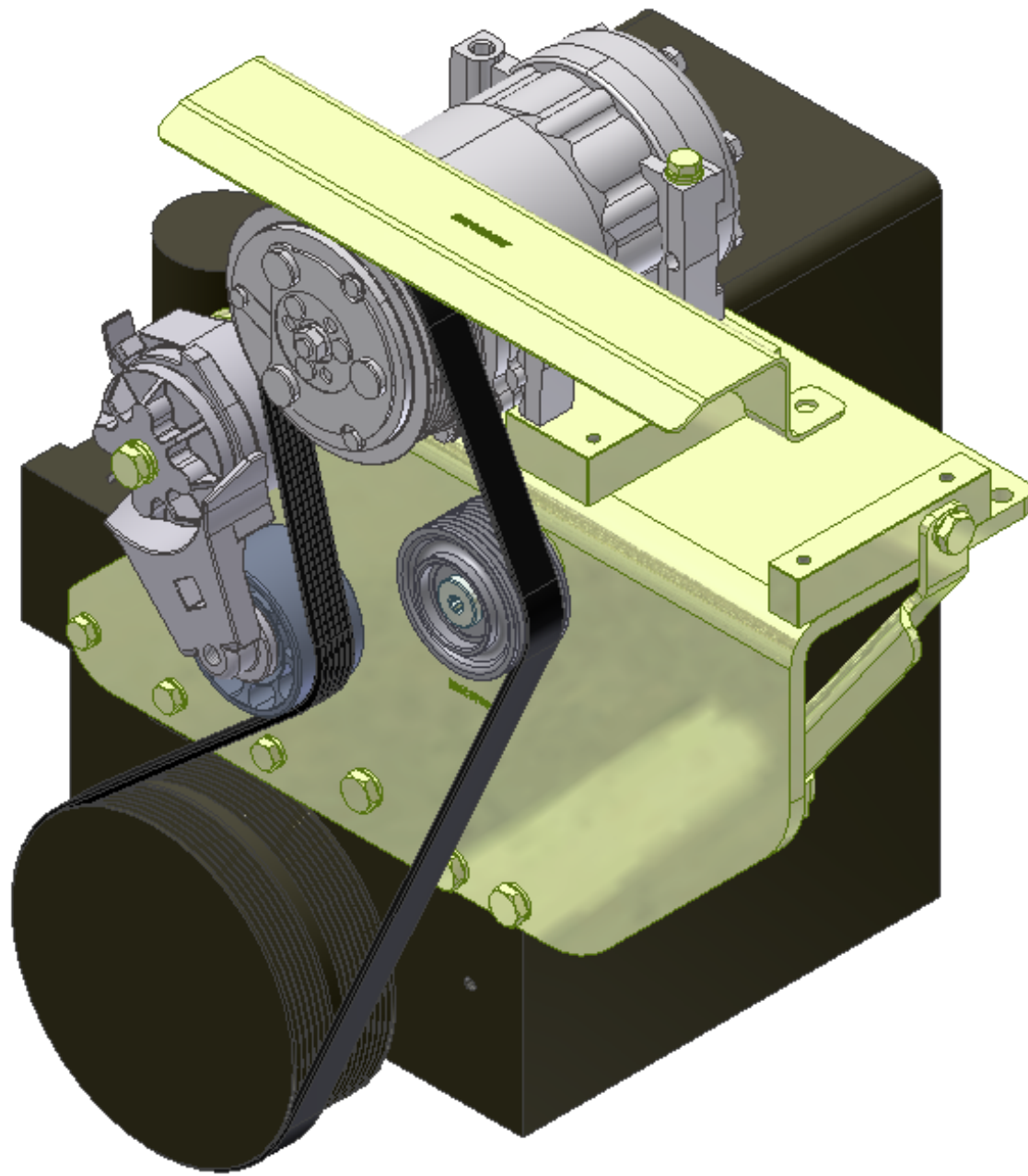
SIZE: D DWG NO: KMC61070 REV: 2

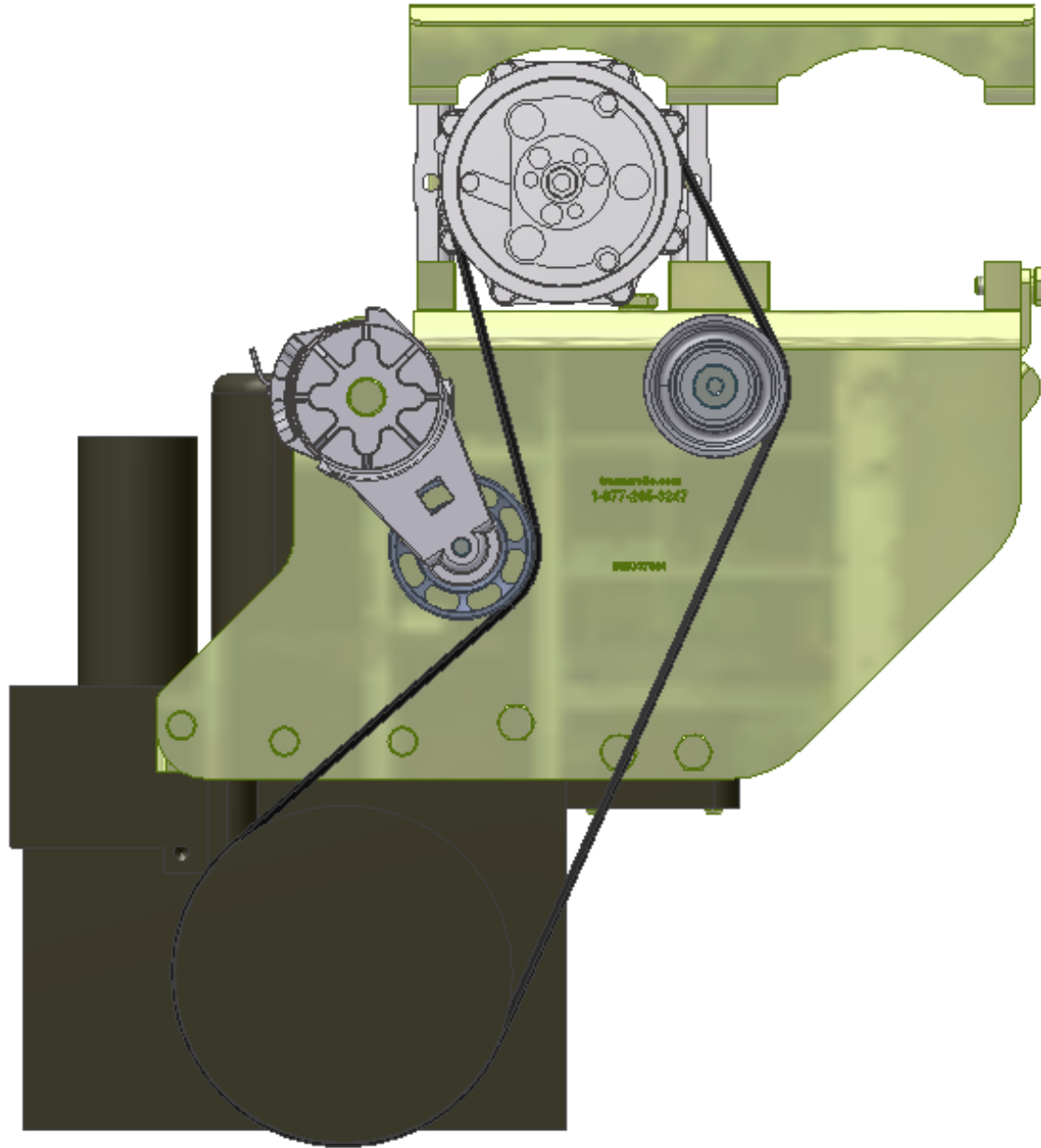
DRAWING UNIT OF MEASURE: MM (INCH) SCALE: 1:2 SHEET 1 OF 1

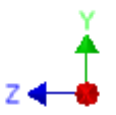
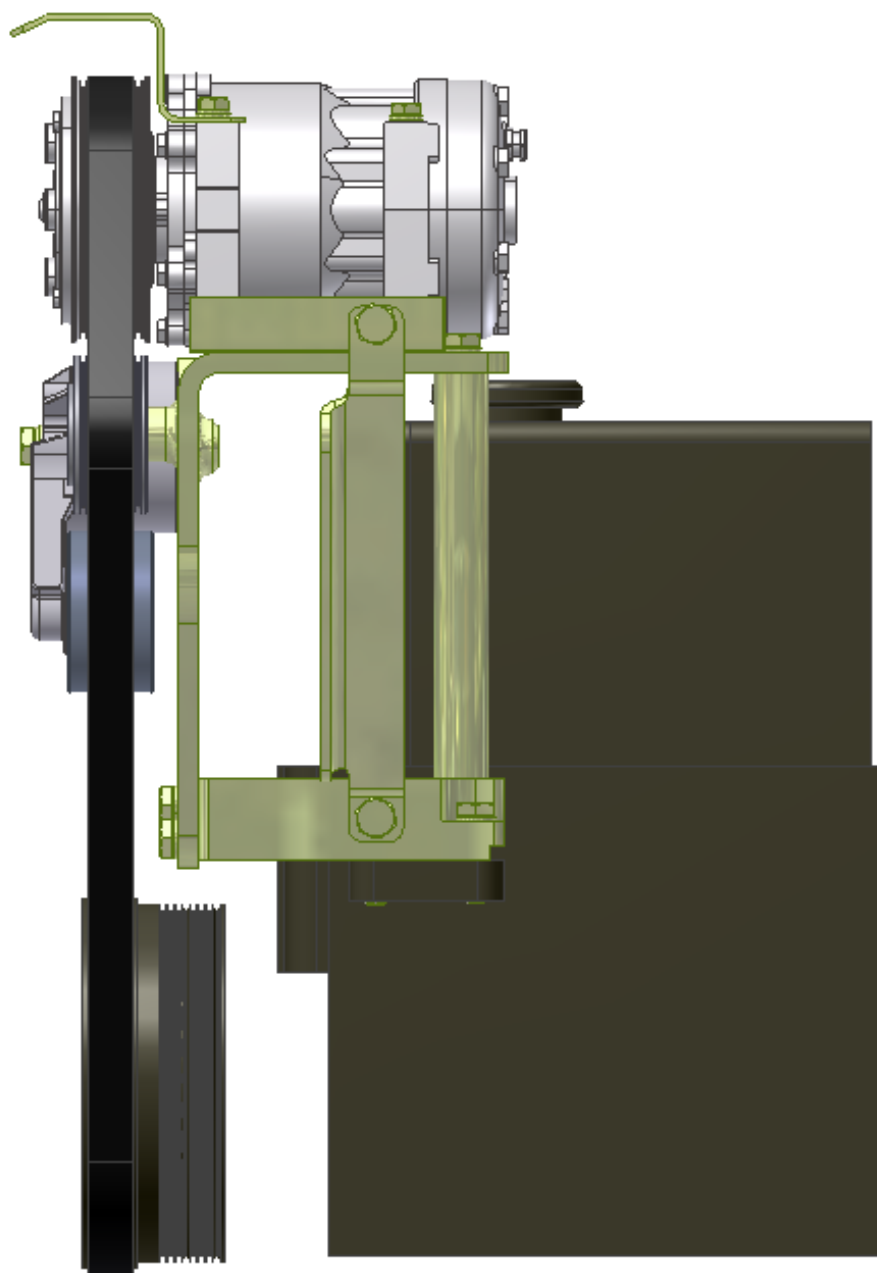
UNSPECIFIED TOLERANCES:

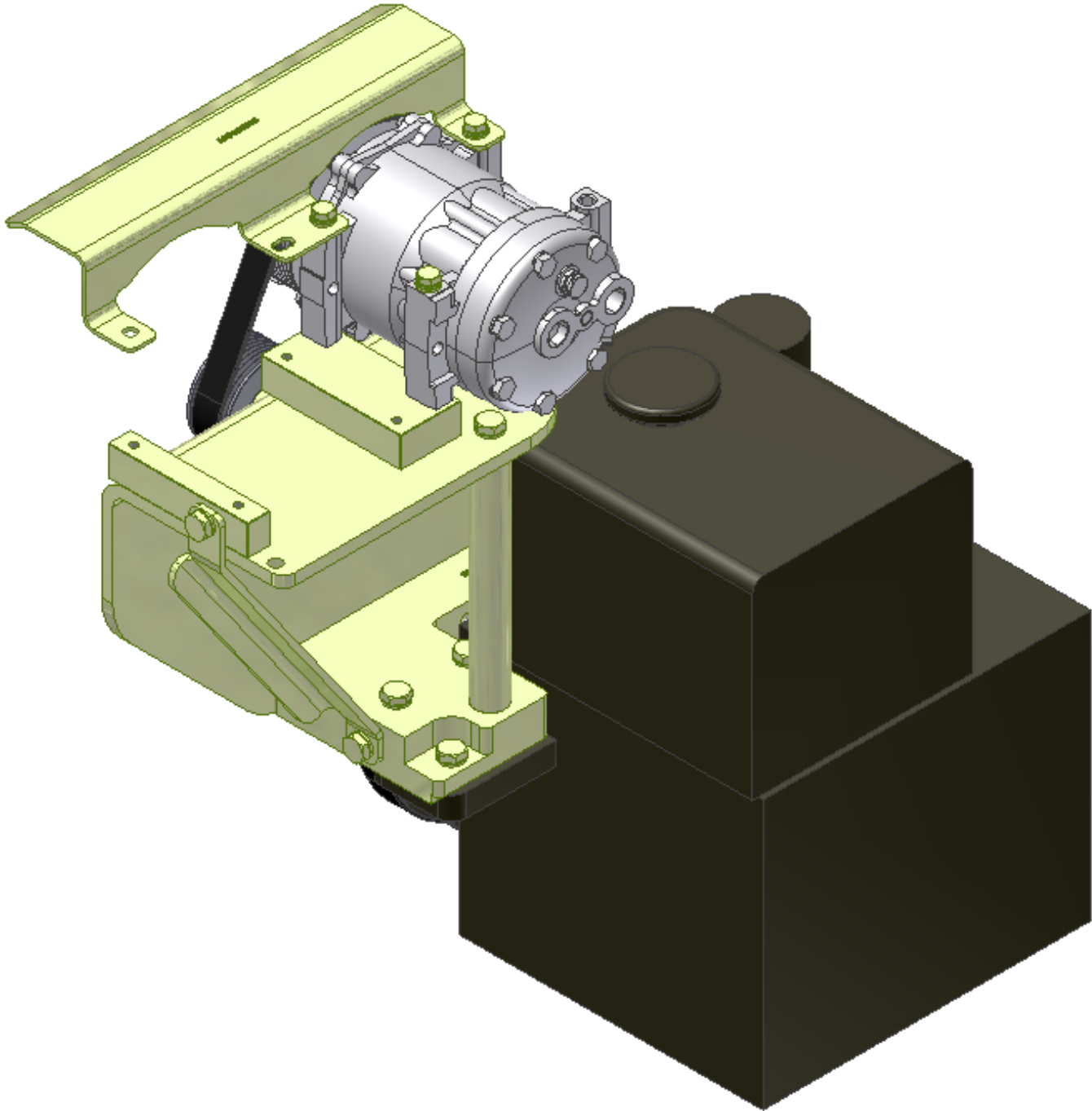
ONE DECIMAL PLACE (10)	AS SHOWN
TWO DECIMAL PLACE (20)	AS SHOWN
THREE DECIMAL PLACE (30)	AS SHOWN
FRAC TIONS (1/32)	AS SHOWN

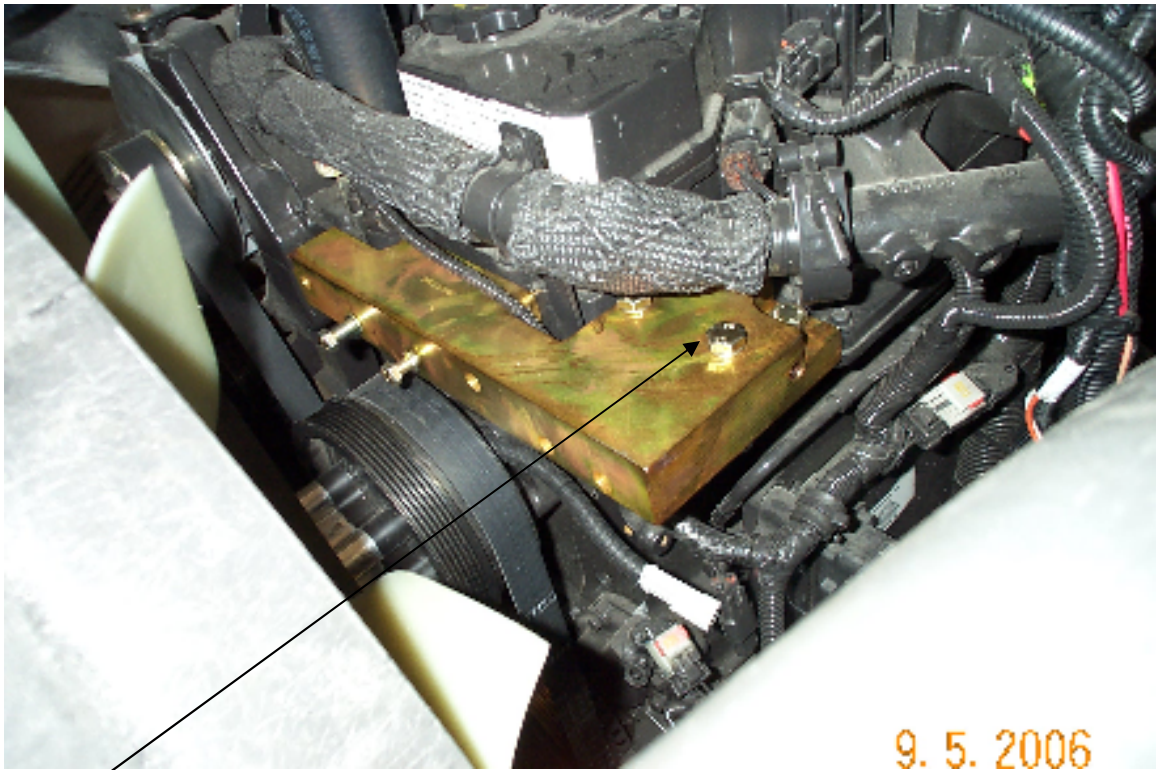
THIRD ANGLE PROJECTION











Install bolts finger tight to hold in place then put on Main Bracket



## **TransArctic A/C Compressor Mount Installation Disclaimer**

All compressor mounts should be installed by qualified and trained personnel using proper tools and equipment in safe working conditions following industry standard guidelines for motor vehicle service and repair.

The installer of any compressor mount purchased from TransArctic must undertake all responsibility of issues arising from that compressor bracket being installed on any vehicle. As well as insure that a **proper and sufficient ground** is established between the compressors' clutches and the vehicle's engine. Mount functionality, operation and durability can all be compromised by an incompetent installation.

Due to the many different situations, parameters and application criteria, which are beyond the compressor mount manufacturer's control, TransArctic does not warrant design, durability, or operational functionality of any compressor mount improperly installed by another party.

**With no implied guarantees it is the mount installer's strict responsibility to determine safety and functionality, of the compressor mount, at the time of installation.**

Please contact TransArctic with any issue arising from installation so we may better improve the product. If you have any reservations about the compressor mount integrity contact TransArctic immediately at 1-877-COLD-AIR.