

Bill of Materials Listing

TransArctic Canada Inc.

11/10/2015
Page 1 of 1

Product Number	Description	Date	Weight	Uof M	Yield
Line Component Prod# Description	Bin	Unit	Qty		
KMC94063	Mt Kit, ISL-G, T3RE, FK40/4xFC, '13	6/26/2013	188.10		0
20 BEL32210	Belt, Banded B gr,2210mm (87") (RBX84-2)	each	1		
30 BMC67096	Bkt, Diag Brace, DS, Frame Raill, T3RE	each	1		
40 BMC83054	Bkt, Main, Idler, Weldm't, RE300	each	1		
50 BMC67094	Bkt, Diag, Brace DS, Fuse Panel, T3RE	each	1		
60 BMC67095	Bkt, Diag, Brace PS, Fuse Panel, T3RE	each	1		
70 BMC83107	Bkt, Main, FRT Support, T3RE, '13	each	1		
80 BMC90009	Bkt, Main, RR Support, CNG,T3RE, '13	each	1		
90 BMC83109	Bkt, Main, Lateral Brace, T3RE, '13	each	1		
120 BMC67093	Bkt, Fuse Panel, Vert., ISB, T3RE	each	1		
140 BMZ00046	Bkt, Angle, Brace, Hanger, Hose, 2013	each	1		
170 KCB84064	Kit, Compressor, 24V, FK40/ 4xFC, '13	each	1		
190 PUA05012	Pulley, Assy, Idler,B/BX gr,5", STL,Pit	each	1		
210 PUL80074	Pulley, Idler, B/S, Wide, 76d (89102)	each	1		
220 PUL89322	Pulley, Crank,ADD-ON,Combo,ISC/L-G,2B/3V	each	1		
230 SCD37012	Spacer, Col, Drl, 37 mm x 25.4o x 12.3i	each	1		
240 SCD41012	Spacer, Col, Drl, 41 mm x 25.4o x 12.3i	each	1		
250 SLV17012	Sleeve, Pulley, 16.9o x 22.23mm x 12.32i	each	2		
270 KBC94063	Bag Kit, Fasteners, KMC94063	each	1		

Bill of Materials Listing

TransArctic Canada Inc.

11/10/2015
Page 1 of 1

Product Number	Description	Date	Weight	Uof M	Yield
Line Component Prod#	Description	Bin Unit	Qty		
KBC94063	Bag Kit, Fasteners, KMC94063		7/9/2013	3.12	0
10	BTC10025	Bolt, Hex, 10 x 1.5 x 25mm, 10.9, Plt	each	2	
20	BTC10040	Bolt, Hex, 10 x 1.5 x 40mm, 10.9, Plt,FT	each	5	
40	BTC12040	Bolt, Hex, 12 x 1.75 x 40mm, 10.9,Plt,FT	each	5	
50	BTC12050	Bolt, Hex, 12 x 1.75 x 50mm, 10.9,Plt	each	2	
60	BTC12100	Bolt, Hex, 12 x 1.75 x 100mm, 10.9, Plt	each	2	
70	BTQ08126	Bolt, Hex, 1/2-20unf, 1.25", 8, Plt	each	6	
80	NTA10000	Nut, Hex, 10 x 1.5, 8.8, Plt	each	2	
90	NTA12000	Nut, Hex, 12 x 1.75, 8.8, Plt	each	9	
170	WFA10000	Washer, Flat, 10mm, 8.8, Plt	each	9	
180	WFA12000	Washer, Flat, 12mm, 8.8, Plt	each	16	
190	WFQ08000	Washer, Flat, 1/2", 8, Plt	each	6	
210	WLA10000	Washer, Lock, 10mm, 8.8, Plt	each	7	
220	WLA12000	Washer, Lock, 12mm, 8.8, Plt	each	9	
230	WLQ08000	Washer, Lock, 1/2", 8, Plt	each	6	

Bill of Materials Listing

TransArctic Canada Inc.

11/10/2015
Page 1 of 1

Product Number	Description	Date	Weight	Uof M	Yield
Line Component Prod#	Description	Bin Unit	Qty		
KCB84064	Kit, Compressor, 24V, FK40/ 4xFC, '13		9/16/2013	62.73	0
10	BEL11040		Belt, A gr, 1040mm (41") (17410)	each	2
20	BMC83114		Bkt, Pl, ALT Spacer, T3RE, '13	each	1
30	BMN80008		Vibration Isolator, Bar,16.50 x 2 x 1.50	each	2
40	BMN80025		Bkt, Back, PL, Slide, IC, RE300	each	1
50	BMT10011		Bkt, Tenr, Block, Offset, 3mm	each	2
60	BMZ00043		Bkt, Main, Base Pl, '13	each	1
70	KBT84064		Kit, Platform, 4xFCY W/ Alt, '13	each	1
80	PUL03321		Pulley, ALT, Idler, 3.25"d, 2A	each	1
90	TRD08120		Threaded, Rod, 1/2-13unc x 12", 5, Plt	each	1
100	KBZ84064		Bag Kit, Fasteners, KCB84064	each	1

Bill of Materials Listing

TransArctic Canada Inc.

11/10/2015
Page 1 of 1

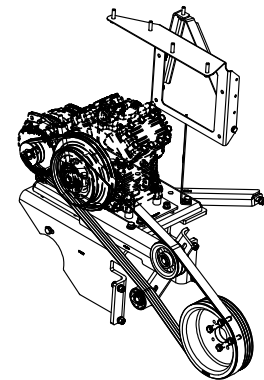
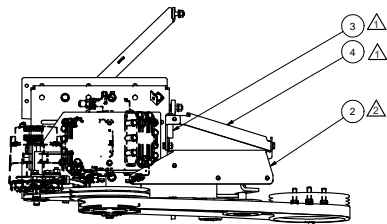
Product Number	Description	Date	Weight	Uof M	Yield
Line Component Prod#	Description	Bin Unit	Qty		
KBZ84064	Bag Kit, Fasteners, KCB84064		10/18/2013	2.50	0
10	BTP08653		Bolt, Hex, 1/2-13unc, 6.5", 5, Plt, FT	each	1
20	BTQ08101		Bolt, Hex, 1/2-20unf, 1.00", 8, Plt	each	3
30	BTQ08150		Bolt, Hex, 1/2-13unc, 1.5", 8, Plt	each	4
40	BTQ08126		Bolt, Hex, 1/2-20unf, 1.25", 8, Plt	each	2
50	BTQ08653		Bolt, Hex, 1/2-13unc, 6.5", 8, Plt	each	1
60	CSF08076		Capscrew, FH, 1/2-20unf x .75", Alloy, Plt	each	1
70	NTQ08000		Nut, Hex, 1/2-13unc, 8, Plt	each	7
80	WFQ08000		Washer, Flat, 1/2", 8, Plt	each	11
90	WLQ08000		Washer, Lock, 1/2", 8, Plt	each	13

Bill of Materials Listing

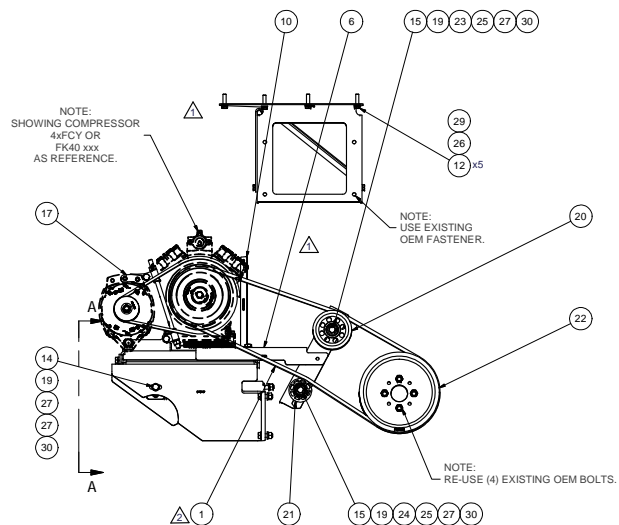
TransArctic Canada Inc.

11/10/2015
Page 1 of 1

Product Number	Description	Date	Weight	Uof M	Yield
Line Component Prod#	Description	Bin Unit	Qty		
KBT84064	Kit, Platform, 4xFCY W/ Alt, '13		2/17/2009	18.68	0
10	BMN80031	Bkt, Main, Slide, Assy, 05K, IC, RE300	each	1	
20	BMC83117	Bkt, Weld't, 4xFCY W/ Alt, T3RE, '13	each	1	
30	BTC12060	Bolt, Hex, 12 x 1.75 x 60mm, 10.9,Plt,FT	each	4	
40	NTP07000	Nut, Hex, 7/16-14unc, 5, Plt	each	4	
50	WFA12000	Washer, Flat, 12mm, 8.8, Plt	each	4	
60	WFN07000	Washer, Flat, 7/16", 2, Plt	each	4	
70	WLA12000	Washer, Lock, 12mm, 8.8, Plt	each	4	
80	WLQ07000	Washer, Lock, 7/16", 8, Plt	each	4	



ISOMETRIC VIEW



VIEW A-A

NOTE: INSTALL PULLEY WITH DEEP OFFSET TOWARD SPACER.

NOTES:

- 1) USE SERVICABLE THREADLOCKER ON ALL FASTENERS TO ENGINE COMPONENTS AND TORQUE **ALL** BOLTS TO S.A.E. SPECIFICATIONS.
- 2) SEE "TRANSARCTIC A/C COMPRESSOR MOUNT INSTALLATION DISCLAIMER".

ITEM	QTY	U/M	PART NUMBER	DESCRIPTION
31	6	EACH	WLG08000	WASHER, LOCK, 1/2", 8, PLT
30	9	EACH	WL1A12000	WASHER, LOCK, 12mm, 8.8, PLT
29	7	EACH	WL1A10000	WASHER, LOCK, 10mm, 8.8, PLT
28	6	EACH	WFO08000	WASHER, FLAT, 1/2", 8, PLT
27	16	EACH	WFA12000	WASHER, FLAT, 12mm, 8.8, PLT
26	9	EACH	WFA10000	WASHER, FLAT, 10mm, 8.8, PLT
25	2	EACH	SLV17012	SLEEVE, PULLEY, 16.90 x 22.23 mm x12.19i
24	1	EACH	SCD41012	SPACER, COL. DRL, 41mm x 25.40 x 12.3i
23	1	EACH	SCD37012	SPACER, COL. DRL, 37mm x 25.40 x 12.3i
22	1	EACH	PUL89322	PULLEY, CRANK, ADD-ON, COMBO, ISC/L-G, 2B/3V
21	1	EACH	PUL80074	PULLEY, IDLER, BACKSIDE, P8, 74D, 46.27W
20	1	EACH	PLA05012	PULLEY, ASSY, IDLER, B/BX gr, 5" STL, PLT
19	9	EACH	NTA12000	NUT, HEX, 12 x 1.75, 8.8, PLT
18	2	EACH	NTA10000	NUT, HEX, 10 x 1.5, 8.8, PLT
17	1	EACH	KCB84064	KIT, COMPRESSOR, FK40/4xFC, '13
16	6	EACH	BTQ08126	BOLT, HEX, 1/2-20UNF x 1.25, 8, PLT
15	2	EACH	BTC12100	BOLT, HEX, 12 x 1.75 x 100mm, 10.9, PLT
14	2	EACH	BTC12050	BOLT, HEX, 12 x 1.75 x 50mm, 10.9, PLT
13	5	EACH	BTC12040	BOLT, HEX, 12 x 1.75 x 40mm, 10.9, PLT
12	5	EACH	BTC10040	BOLT, HEX, 10 x 1.5 x 40mm, 10.9, PLT
11	2	EACH	BTC10025	BOLT, HEX, 10 x 1.5 x 25mm, 10.9, PLT
10	1	EACH	BMZ00046	BKT, ANGLE, BRACE, HANGER, HOSE, 2013
9	1	EACH	BMC90009	BKT, MAIN, RR SUPPORT, CNG, T3RE, '13
8	1	EACH	BMC83109	BKT, MAIN, LATERAL BRACE, T3RE, '13
7	1	EACH	BMC83107	BKT, MAIN, FRT SUPPORT, T3RE, '13
6	1	EACH	BMC83054	BKT, MAIN, IDLER, WELDM'T, RE300
5	1	EACH	BMC67096	BKT, DIAG BRACE, DS, FRAME RAIL, T3RE
4	1	EACH	BMC67095	BKT, DIAG BRACE PS, FUSE PANEL, T3RE
3	1	EACH	BMC67094	BKT, DIAG BRACE DS, FUSE PANEL, T3RE
2	1	EACH	BMC67093	BKT, FUSE PANEL, VERT, 15B, T3RE
1	1	EACH	BEL32210	BELT, Banded, B GR, 2210mm (87") (BX84-2)

TRANSARCTIC INC.

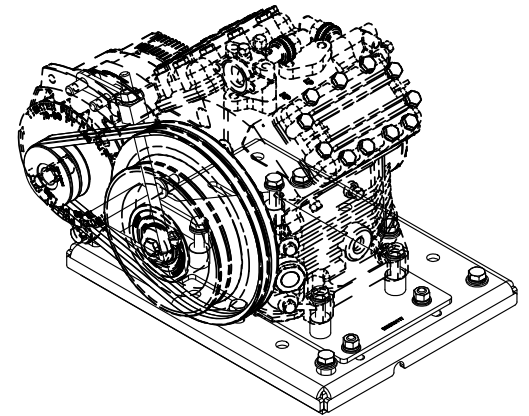
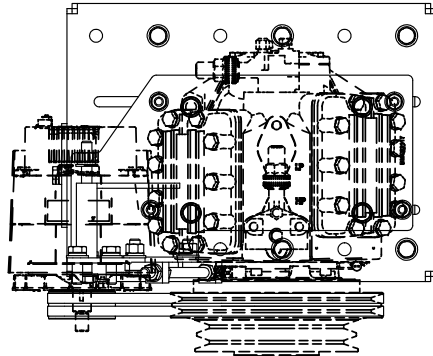
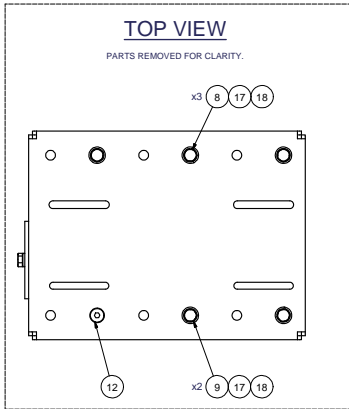
MT KIT, ISL-G, T3RE, FK40/ 4xFC, '13

DRAWN: jrodriguez 12/5/2013
 CHECKED: James Stewart 12/5/2013
 RELEASED TO PRODUCTION: 12/5/2013
 APPROVED: Ron Ingram 12/5/2013
 DATE: Dale Mason 12/5/2013

UNSPECIFIED TOLERANCES: ANGULAR ±.01°
 DIM DECIMAL PLACE (.X) .005
 DIM FRACTIONAL PLACE (X/16) .005
 DIM FRACTIONAL PLACE (X/32) .002
 DIM FRACTIONAL PLACE (X/64) .001

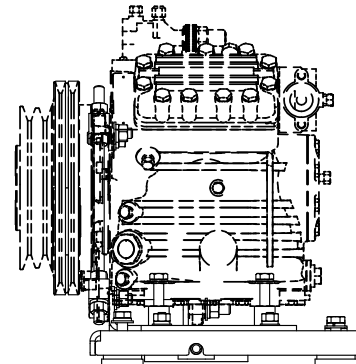
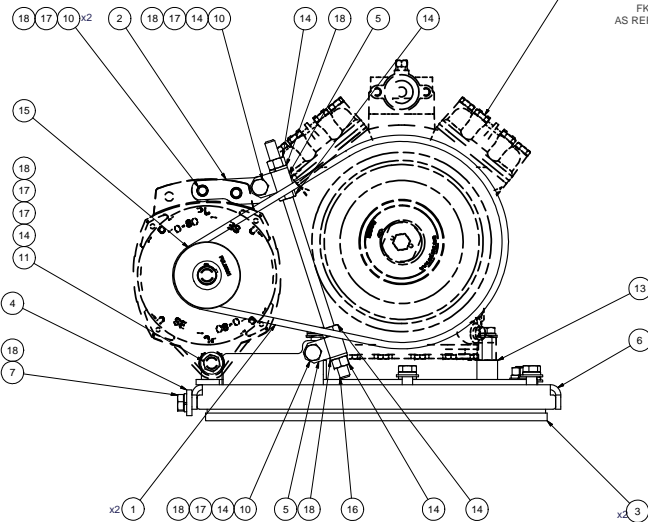
THIRD ANGLE PROJECTION

DRAWING UNIT OF MEASURE: MM (INCH)
 SCALE: 1:1
 SHEET 1 OF 1



ISOMETRIC VIEW

NOTE:
SHOWING COMPRESSOR
4xFCY OR
FK40 xxx
AS REFERENCE.



NOTES:

- 1) USE SERVICABLE THREADLOCKER ON ALL FASTENERS TO ENGINE COMPONENTS AND TORQUE ALL BOLTS TO S.A.E. SPECIFICATIONS.
- 2) SEE "TRANSARGTIC A/C COMPRESSOR MOUNT INSTALLATION DISCLAIMER".
- 3) WEIGHT: 56.70 LBS.

ITEM	QTY	U/M	PART NUMBER	DESCRIPTION
18	13	EACH	WLO08000	WASHER, LOCK, 1/2", 8, PLT
17	11	EACH	WFO08000	WASHER, FLAT, 1/2", 8, PLT
16	1	EACH	TRD08120	THREADED, ROD, 1/2-13UNC x 12", 5 PLT
15	1	EACH	PUL03321	PULLEY, ALT, IDLER, 3.25"o, 2A
14	7	EACH	NT008000	NUT, HEX, 1/2-13UNC, 8, PLT
13	1	EACH	K8T84064	MT KIT, TRANSIT, 4xFCY, '12
12	1	EACH	CSF08076	CAPSCREW, FH, 1/2-20UNF x .75", ALLOY, PLT
11	1	EACH	BT008653	BOLT, HEX, 1/2-13UNC x 6.50, 8, PLT
10	4	EACH	BT008150	BOLT, HEX, 1/2-13UNC x 1.50, 8, PLT
9	2	EACH	BT008126	BOLT, HEX, 1/2-20UNF x 1.25, 8, PLT
8	3	EACH	BT008101	BOLT, HEX, 1/2-20UNF x 1.00, 8, PLT
7	1	EACH	BT008653	BOLT, HEX, 1/2-13UNC x 6.50, 5, PLT, FT
6	1	EACH	BMZ00043	BKT, MAIN, BASE PL, '13
5	2	EACH	BMT10011	BKT, TENR, BLOCK, OFFSET, 3mm
4	1	EACH	BMN80025	BKT, BACK, PL, SLIDE, IC, RE300
3	2	EACH	BMN80008	VIBRATION ISOLATOR, BAR, 16.50 x 2 x 1.50
2	1	EACH	BMCS3114	BKT, PL, ALT, SPACER, T3RE, '13
1	2	EACH	BELT1040	BELT, A, gr, 1040mm (41") (17410)

BILL OF MATERIALS

DRAWN: jrodriquez
CHECKED: Val_Jakowlew

9/16/2013
9/16/2013

TRANSARGTIC INC.

REV	DESCRIPTION	DATE	BY
0	RELEASED TO PRODUCTION	9/16/2013	JRR
1			James Stewart
2			Ron Ingram
3			Dale Mason

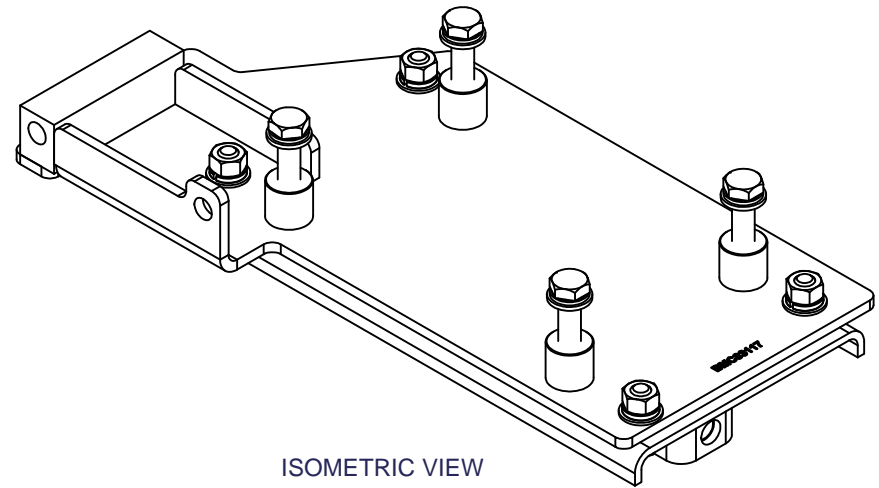
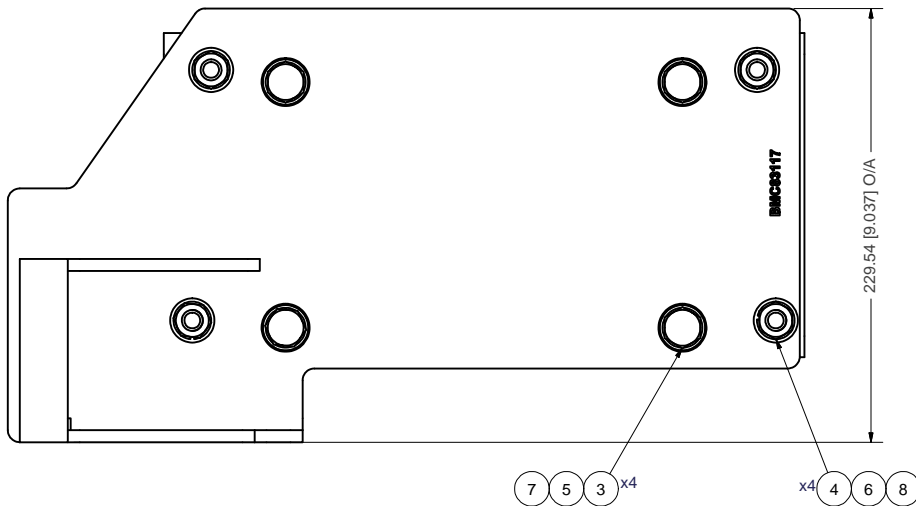
TITLE: KIT, COMPRESSOR, 24V, FK40/ 4xFC, '13
SIZE: D
DWG NO: KCB84064
REV: 0

UNSPECIFIED TOLERANCES: ALL DIMS
ONE DECIMAL PLACE (X.1) .005 (FRACTIONAL)
TWO DECIMAL PLACES (X.00) .002 (FRACTIONAL)
THREE DECIMAL PLACES (X.000) .001 (FRACTIONAL)
ANGULAR: .1°

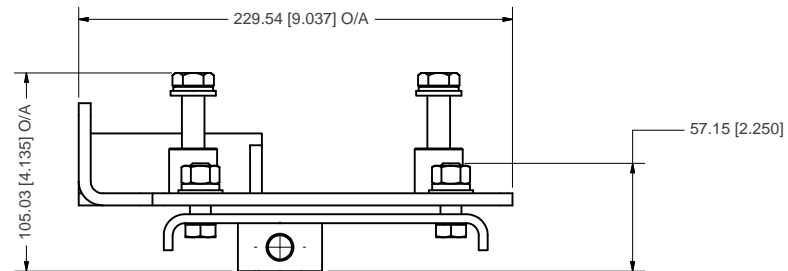
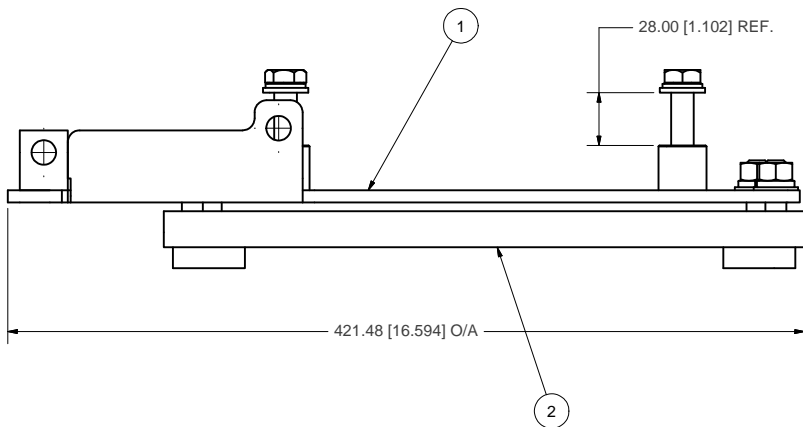


DRAWING UNIT OF MEASURE: MM (INCH)
SCALE: 1:3

SHEET 1 OF 1



ISOMETRIC VIEW



ITEM	QTY	U/M	PART NUMBER	DESCRIPTION
8	4	EACH	WLQ07000	WASHER, LOCK, 7/16", 8, PLT
7	4	EACH	WLA12000	WASHER, LOCK, 12mm, 8.8, PLT
6	4	EACH	WFN07000	WASHER, FLAT, 7/16", 2, PLT
5	4	EACH	WFA12000	WASHER, FLAT, 12mm, 8.8, PLT
4	4	EACH	NTP07000	NUT, HEX, 7/16-14UNC, 5, PLT
3	4	EACH	BTC12060	BOLT, HEX, 12 x 1.75 x 60mm, 10.9, PLT
2	1	EACH	BMN80031	BKT, MAIN, SLIDE, ASSY, 05K, IC, RE300
1	1	EACH	BMC83117	BKT, WELDM'T, 4xFCY W/ALT, T3RE, '13

TRANSARCTIC INC.

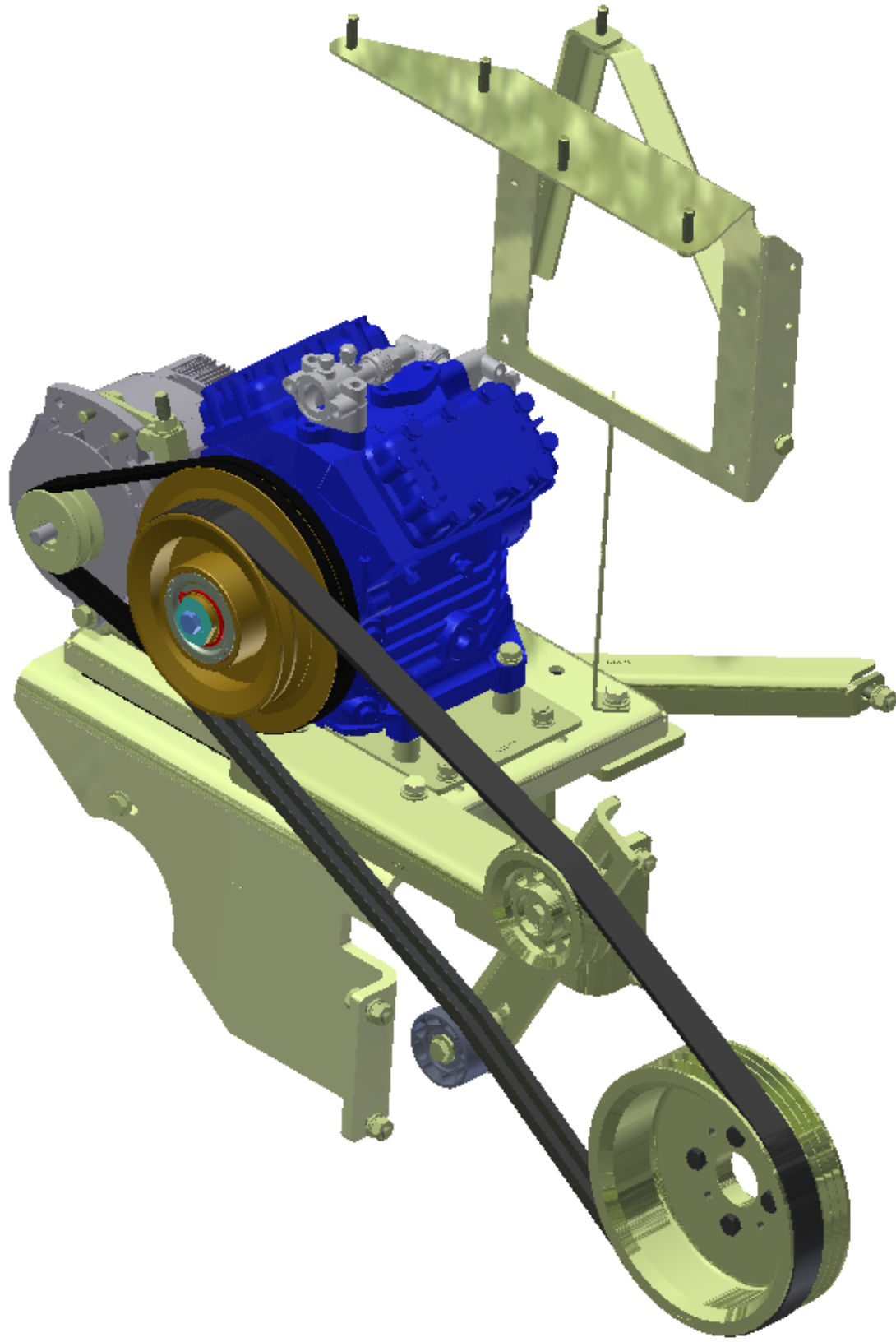
DRAWN	jrodriguez	7/12/2013
CHECKED	Val Jakowlew	7/12/2013
REV	James Stewart	7/12/2013
APPROVED	Ron Ingram	7/12/2013
	Dale Mason	7/12/2013

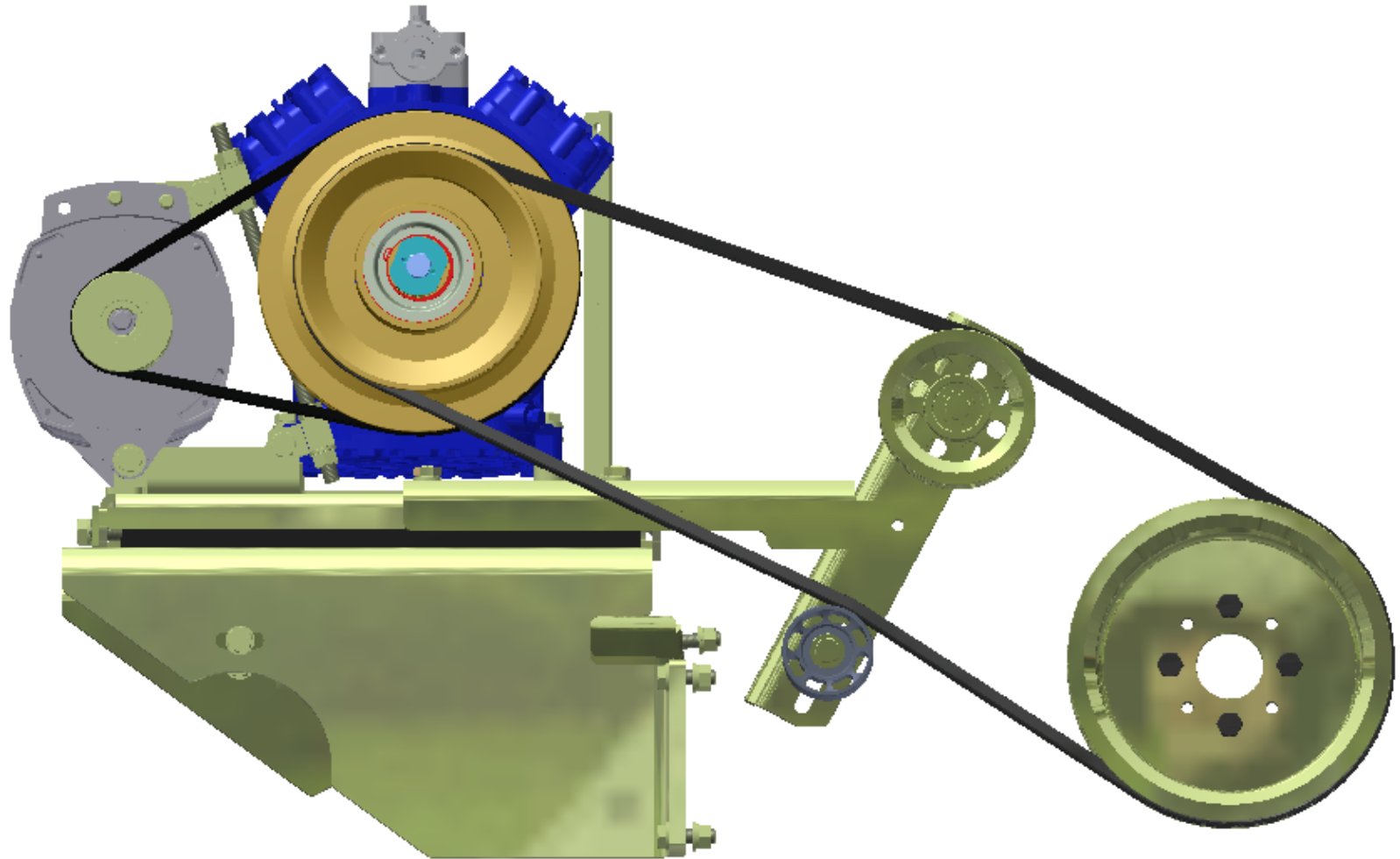
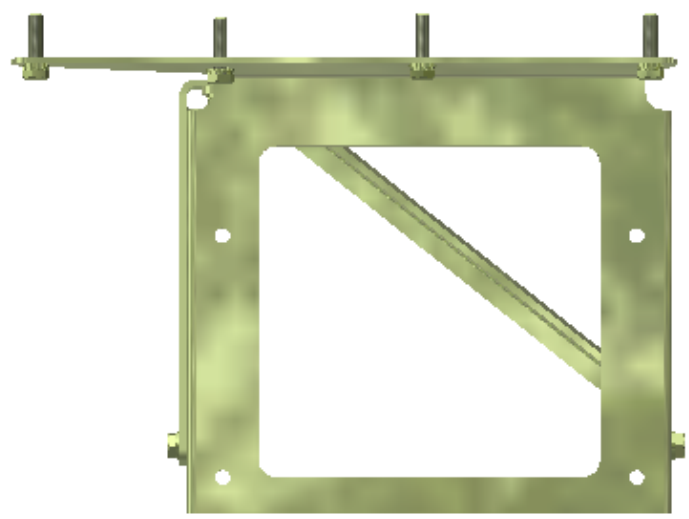
TITLE
KIT, PLATFORM, 4xFCY W/ALT, '13

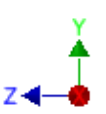
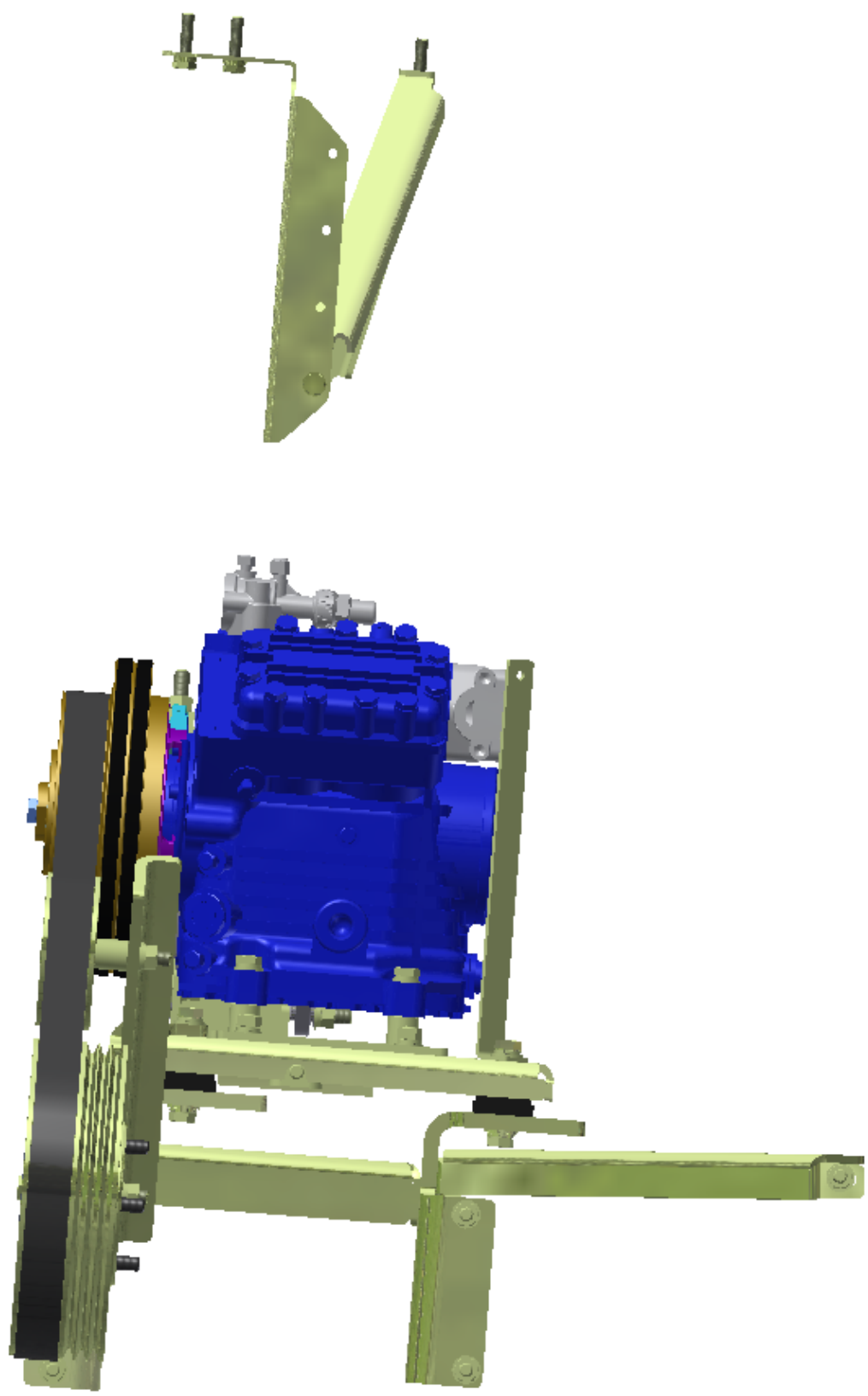
SIZE	C	DWG NO	KBT84064	REV	0
SCALE	1:2	SHEET	1	OF	1

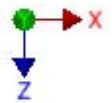
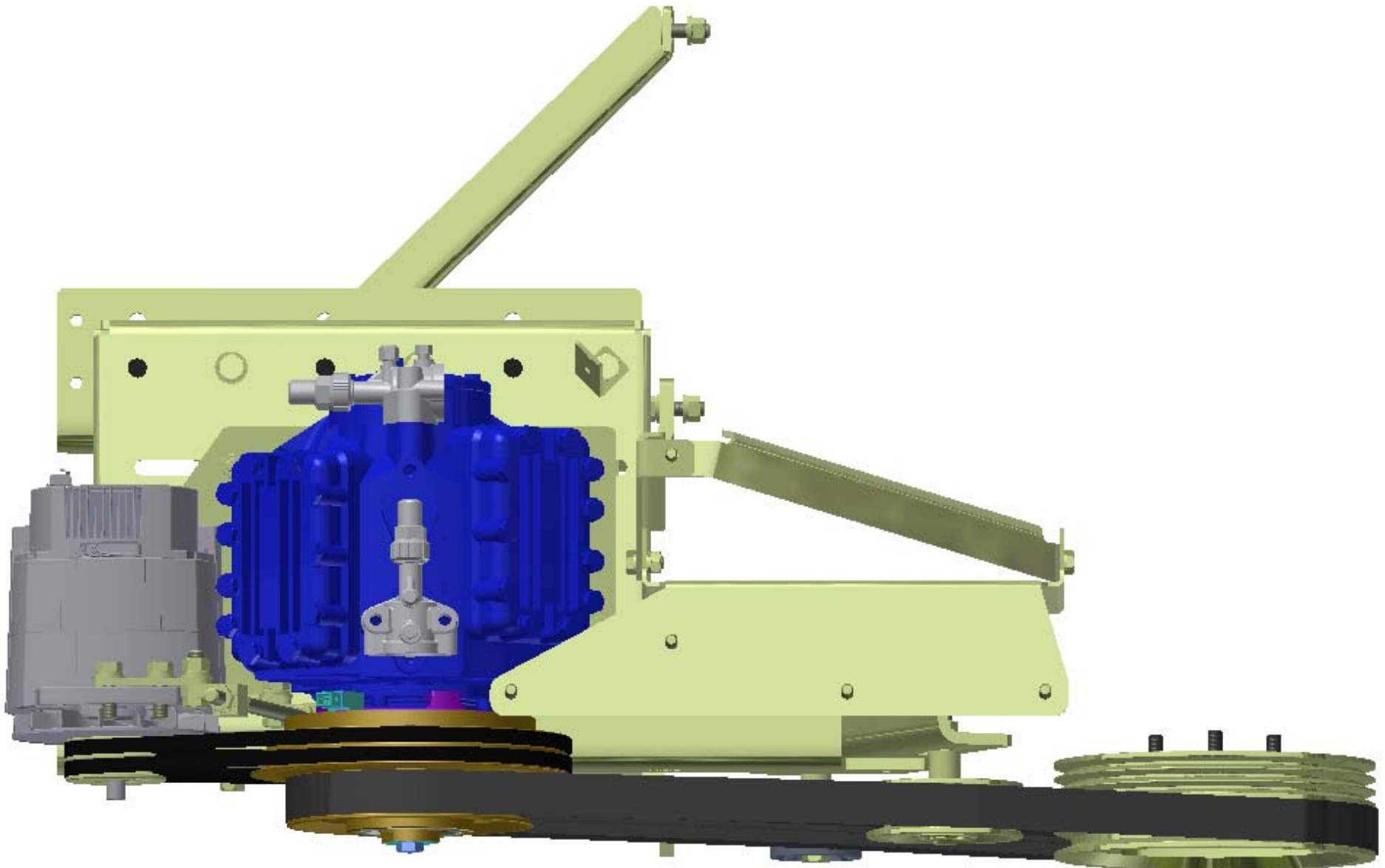
0	RELEASED TO PRODUCTION	7/24/2013	JRR	
REV	ECN	DESCRIPTION	DATE	BY
THIS DRAWING CONTAINS PROPRIETARY CONFIDENTIAL INFORMATION OWNED BY TRANSARCTIC CANADA INC. THE DOCUMENT AND THE INFORMATION IN IT ARE NOT TO BE USED, DISCLOSED OR REPRODUCED WITHOUT EXPRESS WRITTEN PERMISSION OF THE COMPANY.				
UNSPECIFIED TOLERANCES: (ALT. DIM.)				
ONE DECIMAL PLACE (.X)	.50	(.020)		
TWO DECIMAL PLACE (.XX)	.25	(.010)		
THREE DECIMAL PLACE (.XXX)	.10	(.005)		
FRACTIONAL +/- .002"	ANGULAR +/- .50°			
THIRD ANGLE PROJECTION				

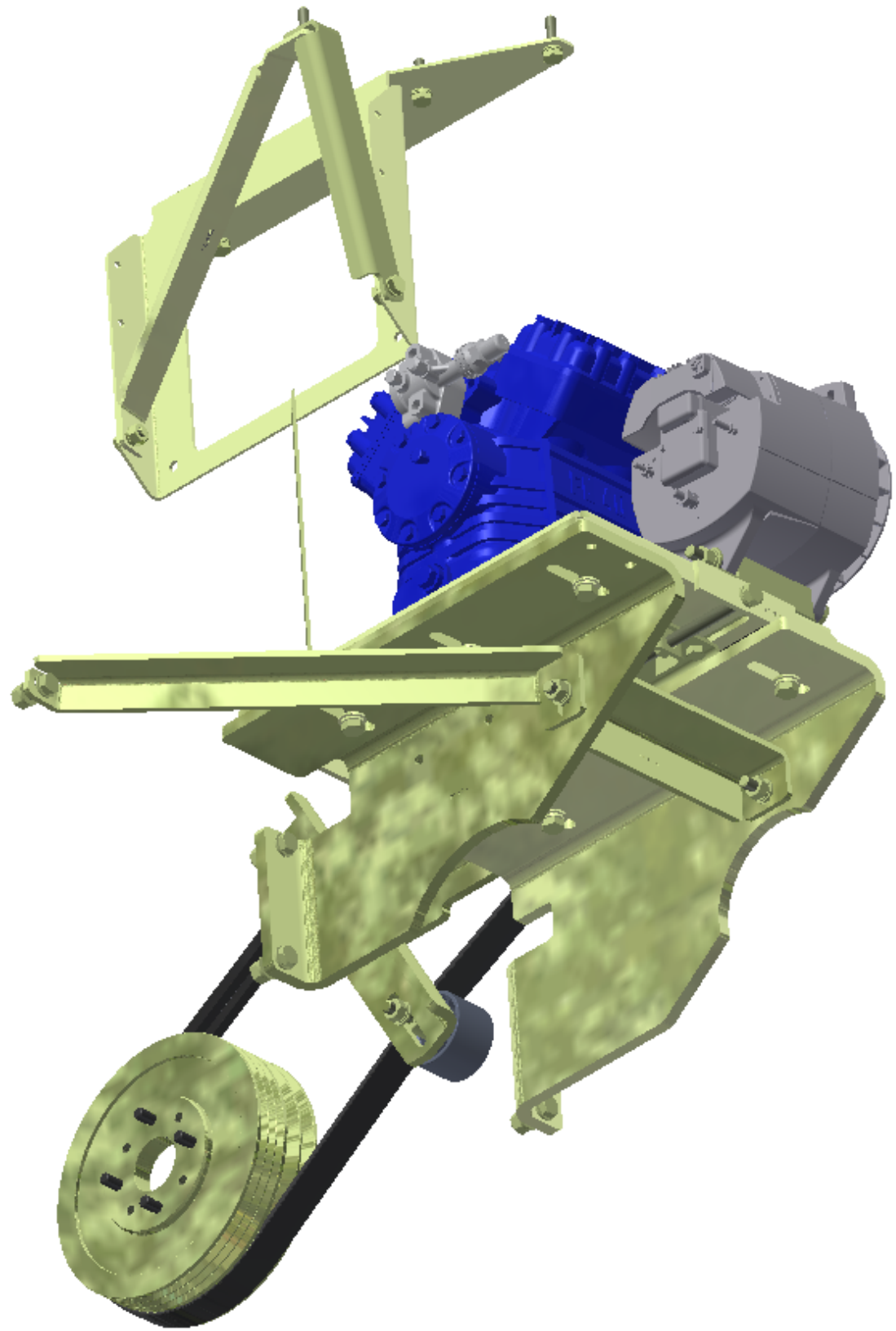
- NOTES:
- 1) USE SERVICABLE THREADLOCKER ON ALL FASTENERS TO ENGINE COMPONENTS AND TORQUE **ALL** BOLTS TO S.A.E. SPECIFICATIONS.
 - 2) SEE "TRANSARCTIC A/C COMPRESSOR MOUNT INSTALLATION DISCLAIMER".
 - 3) WEIGHT: 18.22 LBS.











TransArctic A/C Compressor Mount Installation Disclaimer

All compressor mounts should be installed by qualified and trained personnel using proper tools and equipment in safe working conditions following industry standard guidelines for motor vehicle service and repair.

The installer of any compressor mount purchased from TransArctic must undertake all responsibility of issues arising from that compressor bracket being installed on any vehicle. As well as insure that a **proper and sufficient ground** is established between the compressors' clutches and the vehicle's engine. Mount functionality, operation and durability can all be compromised by an incompetent installation.

Due to the many different situations, parameters and application criteria, which are beyond the compressor mount manufacturer's control, TransArctic does not warrant design, durability, or operational functionality of any compressor mount improperly installed by another party.

With no implied guarantees it is the mount installer's strict responsibility to determine safety and functionality, of the compressor mount, at the time of installation.

Please contact TransArctic with any issue arising from installation so we may better improve the product. If you have any reservations about the compressor mount integrity contact TransArctic immediately at 1-877-COLD-AIR.

Mark OEM tensioner location

Install Kit

Check for Interferences

Check to ensure that the proper OEM tensioner orientation is maintained

Run engine with A/C system engaged for at least 10 minutes to run in belt

Check OEM tensioner orientation and adjust as required

Responsabilidad limitada de TransArctic en la instalación del soporte del compresor

Todos los soportes de los compresores deben ser instalados por personas calificadas y entrenadas, usando para ello los equipos y herramientas necesarios para esta labor en buenas condiciones y según las normas y guías para el servicio y/o reparación de motores de vehículos.

El instalador de los soportes comprados en TransArctic asume toda la responsabilidad de cualquier problema que surga en el soporte del compresor al vehículo; de igual manera es responsable que el cable a tierra sea conectado entre el embrague del compresor y el motor del vehículo.

Se advierte que el buen funcionamiento y la durabilidad del soporte pueden ser comprometidos por defectos en su instalación.

Debido a las diversas situaciones que se puedan presentar fuera del control del fabricante, TransArctic no garantiza el diseño, la durabilidad o el correcto funcionamiento de cualquier equipo inapropiadamente instalado por terceros.

Esta sobreentendido que el Instalador del montaje del compresor es estrictamente responsable de la seguridad y funcionamiento del equipo en el momento de la instalación.

Si tuviera algún problema o duda acerca de la instalación del soporte del compresor pongase en contacto inmediatamente con TransArctic al teléfono 1-877-COLD-AIR de modo que podamos mejorar nuestro producto.

Note la ubicación del medidor de tensión OEM

Instale el equipo

Controlar si hay interferencias.

Asegurese que el medidor de tensión mantenga la orientación justa.

Encienda el motor por lo menos 10 minutos con el sistema A/C enganchado para que la correa corra

Controle la orientación justa del medidor de tensión y ajuste a las condiciones requeridas del fabricante