

# Bill of Materials Listing

TransArctic Canada Inc.

11/10/2007

Page 1 of 1

Product Number		Description	Bin	Date	Weight	Uof M	Yield
Line	Component Prod#	Description		Unit	Qty		
<b>KMM61302</b>		<b>Mt Kit, 7.2L MBE926,C2,TM-21, ADD-ON,'07</b>		<b>02/22/07</b>	<b>14.96</b>		<b>0</b>
10	BEL82388	Belt, 8gr, 2388mm (94.0") (5080940)		each	1		
20	BMM60045	Bkt, Main, Weldmt, TM-21, C2, MBE926,'07		each	1		
24	BMS16022	Bkt, TM-16 Spacer Plate		each	2		
27	BMS16023	Bkt, 12.7mm Spacer Plate		each	2		
30	PUL80076	Pulley, Idler, Backside, P8, 76d (89062)		each	1		
40	SCD12010	Spacer, Col, Drl, 111.6mm x 19.05o x 10.32i		each	1		
60	SCD09510	Spacer, Col, Drl, 9.53mm x 25.4o x 10.32i		each	2		
80	KBM61302	Bag Kit, Fasteners, KMM61302		each	1		

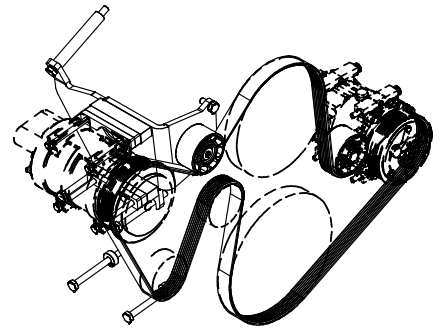
# Bill of Materials Listing

TransArctic Canada Inc.

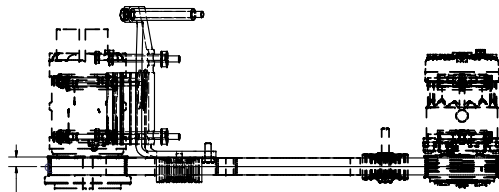
11/10/2007

Page 1 of 1

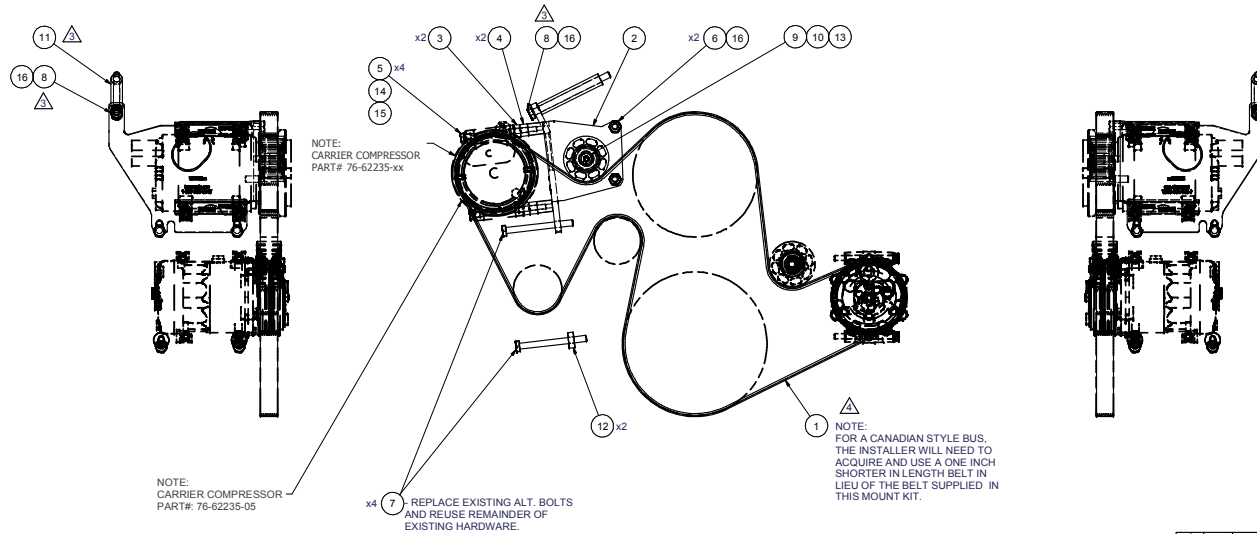
Product Number		Description	Bin	Date	Weight	Uof M	Yield
Line	Component Prod#	Description		Unit	Qty		
<b>KBM61302</b>		<b>Bag Kit, Fasteners, KMM61302</b>		<b>02/26/07</b>	<b>1.42</b>		<b>0</b>
10	BTC10140	Bolt, Hex, 10 x 1.5 x 140mm, 10.9, Plt		each	1		
20	BTC10110	Bolt, Hex, 10 x 1.5 x 110mm, 10.9, Plt		each	4		
40	BTC10025	Bolt, Hex, 10 x 1.5 x 25mm, 10.9, Plt		each	2		
50	BTC08120	Bolt, Hex, 8 x 1.25 x 120mm, 10.9, Plt		each	4		
60	BTS10001	Bolt, Shoulder, 10mm (89064)		each	1		
70	WDS17001	Washer, Dust Cover (89060)		each	1		
80	WFA08000	Washer, Flat, 8mm, 8.8, Plt		each	4		
90	WLA08000	Washer, Lock, 8mm, 8.8, Plt		each	4		
100	WLA10000	Washer, Lock, 10mm, 8.8, Plt		each	3		



ISOMETRIC VIEW



15.48 (610) REF.



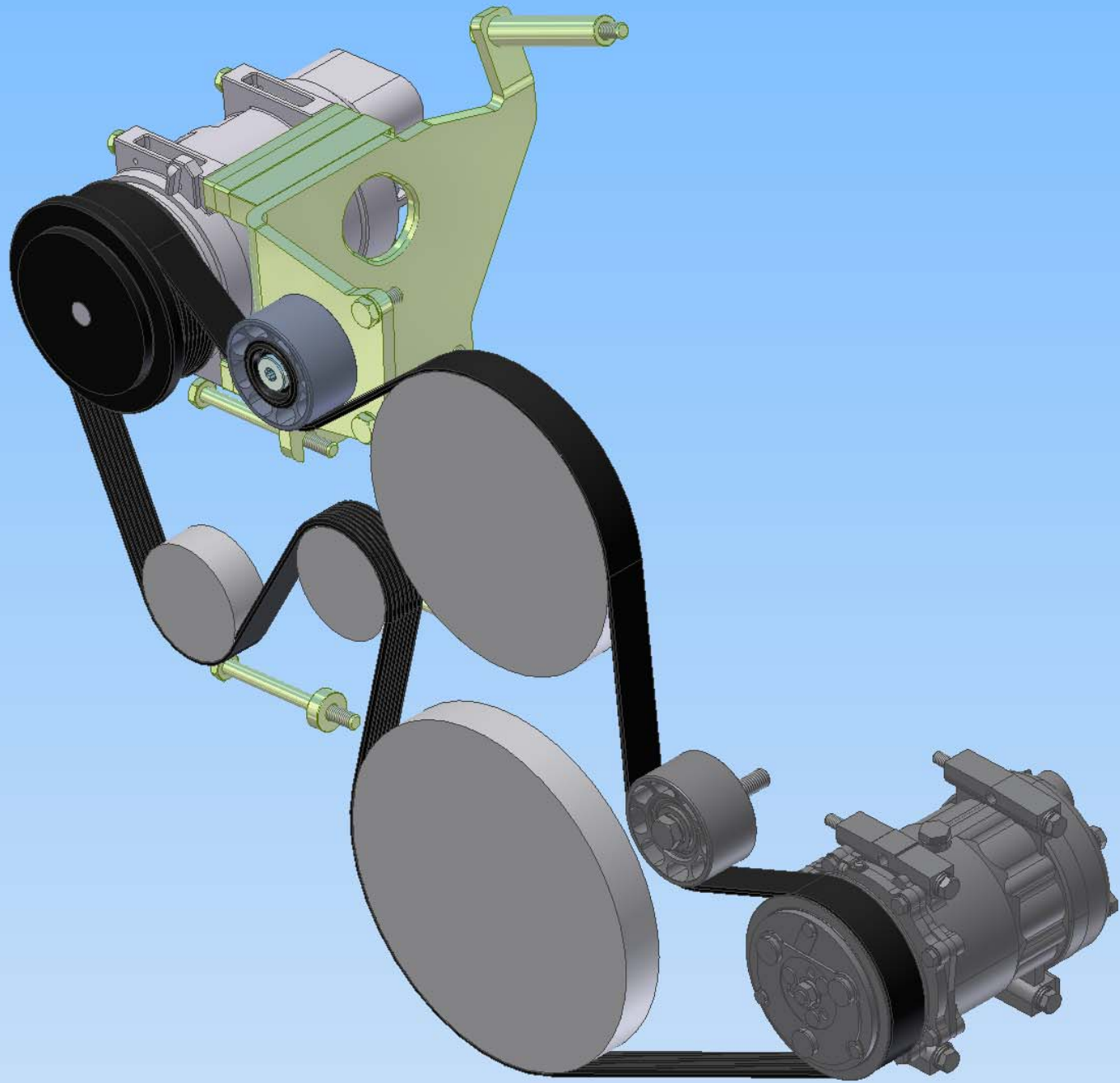
NOTES:

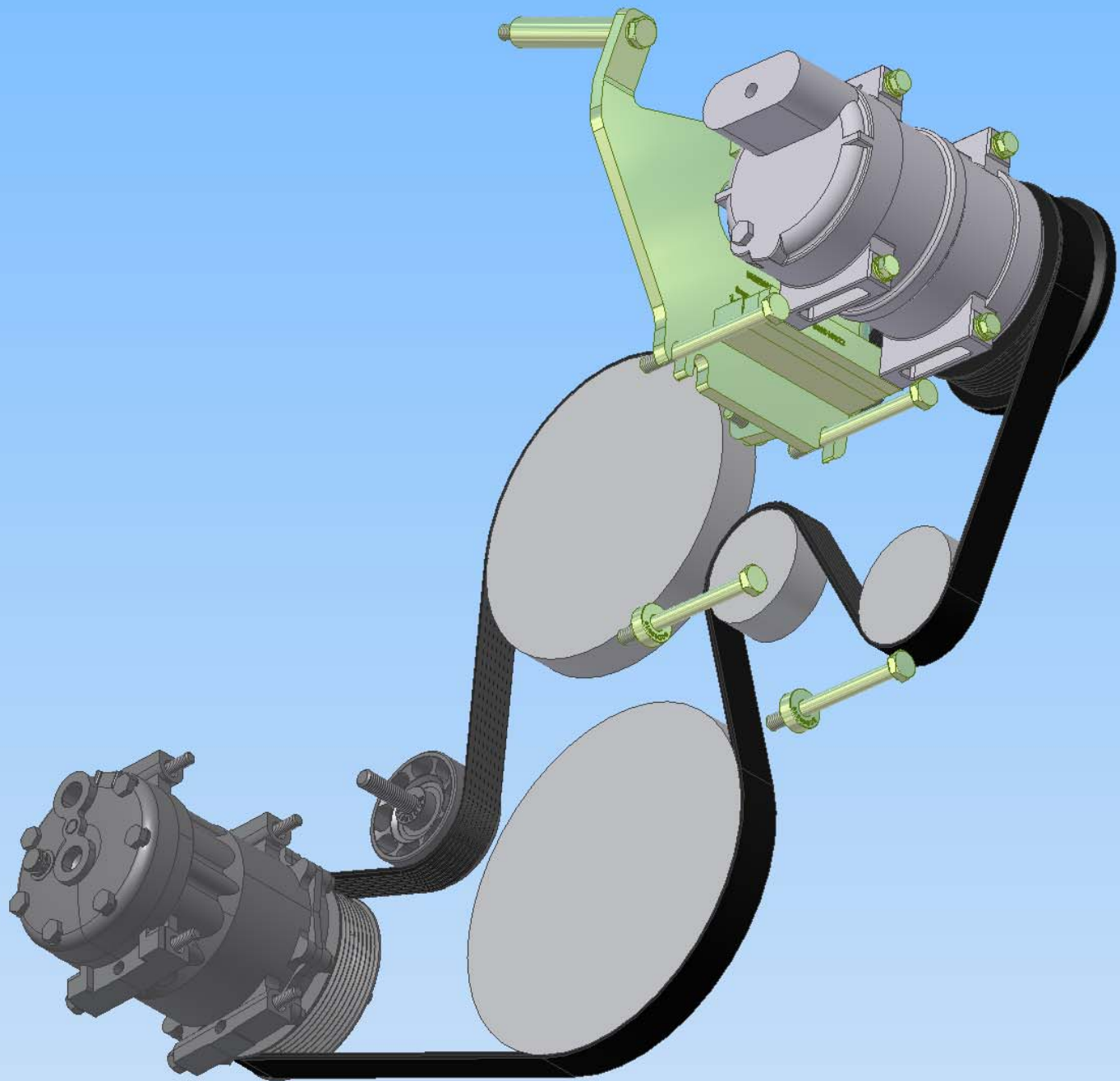
- 1) USE SERVICABLE THREADLOCKER ON ALL FASTENERS TO ENGINE COMPONENTS AND TORQUE ALL BOLTS TO S.A.E. SPECIFICATIONS.
- 2) SEE "TRANSARGTIC A/C COMPRESSOR MOUNT INSTALLATION DISCLAIMER".

ITEM	QTY	U/M	PART NUMBER	DESCRIPTION
16	3	EACH	WLA10000	WASHER, LOCK, 10mm, 8.8, PLT
15	4	EACH	WLA08000	WASHER, LOCK, 8mm, 8.8, PLT
14	4	EACH	WFA08000	WASHER, FLAT, 8mm, 8.8, PLT
13	1	EACH	WDS17001	WASHER, DUST COVER (PUL80076)
12	2	EACH	SCD09510	SPACER, COL, DRL, 9.53mm x 25.40 x10.32
11	1	EACH	SCD12010	SPACER, COL, DRL, 111.6mm x19.05x x10.32
10	1	EACH	PUL80076	PULLEY, IDLER, BACKSIDE, P8, 760, 39W
9	1	EACH	BTS10001	BOLT, SHOULDER, 10mm (IDLER PULLEY)
8	1	EACH	BTC10140	BOLT, HEX, 10 x 1.5 x 140mm, 10.9, PLT
7	4	EACH	BTC10110	BOLT, HEX, 10 x 1.5 x 110mm, 10.9, PLT
6	2	EACH	BTC10025	BOLT, HEX, 10 x 1.5 x 25mm, 10.9, PLT
5	4	EACH	BTC08120	BOLT, HEX, 8 x 1.25 x 120mm, 10.9, PLT
4	2	EACH	BMS16023	BKT, 12.7mm SPACER PLATE
3	2	EACH	BMS16022	BKT, TM-16, SPACER PLATE
2	1	EACH	BMM60045	BKT, MAIN, WELDMT, TM-21, C2, MBE926, 07
1	1	EACH	BEL82388	BELT, 8 GR, 2388mm (94.0") (5080940)

BILL OF MATERIAL

4	ADDED BELT NOTE:	7/7/2008	VAL	DRAWN	2/27/2007	
3	WAS SCD09510, BTC10130	11/9/2007	VAL	CHECKED	2/27/2007	
2	SEN, REV, REV1, REMOVED	11/13/2007	BRAR	DATE	2/27/2007	
1	SCD09512 ADDED	6/14/2007	BRAR	BY	2/27/2007	
3	RELEASED TO PRODUCTION	2/27/2007	VAL	OK	2/27/2007	<b>MT KIT, 7.2L MBE926, C2, TM-21, ADD-ON, '07</b>
REV	ECN	DESCRIPTION:	DATE:	BY:	DATE:	
				James Stewart	2/27/2007	
				Ron Ingram	2/27/2007	SIZE DWG NO <b>D KMM61302</b>
				Dale Mason	2/27/2007	
UNspecified TOLERANCES: (ALL DIM) GROUP ONE DECIMAL PLACE (10) AS SHOWN THIRTIETHS (1/32) AS SHOWN FRACTIONAL (1/16) AS SHOWN					DRAWING UNIT OF MEASURE MM (INCH)	REV 4
					SCALE: 1:4	SHEET 1 OF 1





## **TransArctic A/C Compressor Mount Installation Disclaimer**

All compressor mounts should be installed by qualified and trained personnel using proper tools and equipment in safe working conditions following industry standard guidelines for motor vehicle service and repair.

The installer of any compressor mount purchased from TransArctic must undertake all responsibility of issues arising from that compressor bracket being installed on any vehicle. As well as insure that a **proper and sufficient ground** is established between the compressors' clutches and the vehicle's engine. Mount functionality, operation and durability can all be compromised by an incompetent installation.

Due to the many different situations, parameters and application criteria, which are beyond the compressor mount manufacturer's control, TransArctic does not warrant design, durability, or operational functionality of any compressor mount improperly installed by another party.

**With no implied guarantees it is the mount installer's strict responsibility to determine safety and functionality, of the compressor mount, at the time of installation.**

Please contact TransArctic with any issue arising from installation so we may better improve the product. If you have any reservations about the compressor mount integrity contact TransArctic immediately at 1-877-COLD-AIR.