

Bill of Materials Listing

TransArctic Canada Inc.

10/7/2021
Page 1 of 1

Product Number	Date	Description	Uof M	Weight	Yield	
Line	Qty	Component Prod#	Rev#	Bin	Unit	
KMC94064	6/26/2013	1 Mt Kit, ISL13, T3RE, FK40/4xFC, '13			696.91	0
10	1	PAC39131			each	
20	1	BEL32210			each	
30	1	BMC83053	1		each	
40	1	BMC83054	5		each	
50	1	BMC83058	0		each	
60	1	BMC83074	1		each	
70	1	BMC83107	1		each	
80	1	BMC83108	0		each	
90	1	BMC83109	0		each	
100	1	BMC83113	0		each	
120	1	BMC83116	0		each	
130	1	BMC83120	0		each	
135	1	BMC83122	0		each	
140	1	BMZ00046	0		each	
165	2	CLP04000			each	
166	1	TUS04093	0		each	
167	1	HOA04083	0		each	
170	1	KCB84064	0		each	
190	1	PUA05012	0		each	
210	1	PUL80074			each	
220	1	PUL89323	0		each	
230	1	SCD37012	0		each	
240	1	SCD41012	0		each	
250	2	SLV17012	0		each	
270	1	KBC84064			each	

WILL REQUIRE TMP00002 (TEMPLATE).

Bill of Materials Listing

TransArctic Canada Inc.

10/7/2021
Page 1 of 1

Product Number	Date	Description	Uof M	Weight	Yield	
Line	Qty	Component Prod#	Rev#	Bin	Unit	
KBC84064	7/9/2013	0 Bag Kit, Fasteners, KMC840/841/940/94164			2.97	0
10	4	BTC08035			each	
20	2	BTC10035			each	
40	5	BTC12040			each	
50	2	BTC12050			each	
60	2	BTC12100			each	
70	6	BTQ08126			each	
80	2	NTA10000			each	
90	9	NTA12000			each	
100	3	SCP03075			each	
160	4	WFA08000			each	
170	4	WFA10000			each	
180	16	WFA12000			each	
190	6	WFQ08000			each	
200	4	WLA08000			each	
210	2	WLA10000			each	
220	9	WLA12000			each	
230	6	WLQ08000			each	

Bill of Materials Listing

TransArctic Canada Inc.

10/7/2021
Page 1 of 1

Product Number	Date	Description		Uof M	Weight	Yield	
Line	Qty	Component Prod#	Rev#	Description	Bin	Unit	
KCB84064	9/16/2013	0	0	Kit, Compressor, 24V, FK40/ 4xFC, '13		62.73	0
10	2	BEL11040		Belt, A gr, 1040mm (41")		each	
20	1	BMC83114		0 Bkt, PI, ALT Spacer, T3RE, '13		each	
30	2	BMN80008		1 Vibration Isolator, Bar, 16.50 x 2 x 1.50		each	
40	1	BMN80025		0 Bkt, Back, PL, Slide, IC, RE300		each	
50	2	BMT10011		0 Bkt, Tenr, Block, Offset, 3mm		each	
60	1	BMZ00043		3 Bkt, Main, Base PI, '13		each	
70	1	KBT84064		0 Kit, Platform, 4xFCY W/ Alt, '13		each	
80	1	PUL03321		1 Pulley, ALT, Idler, 3.25"d, 2A		each	
90	1	TRD08120		Threaded, Rod, 1/2-13unc x 12", 5, Plt		each	
100	1	KBZ84064		Bag Kit, Fasteners, KCB84064		each	

Bill of Materials Listing

TransArctic Canada Inc.

10/7/2021
Page 1 of 1

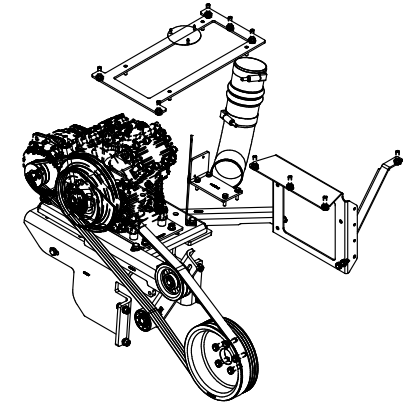
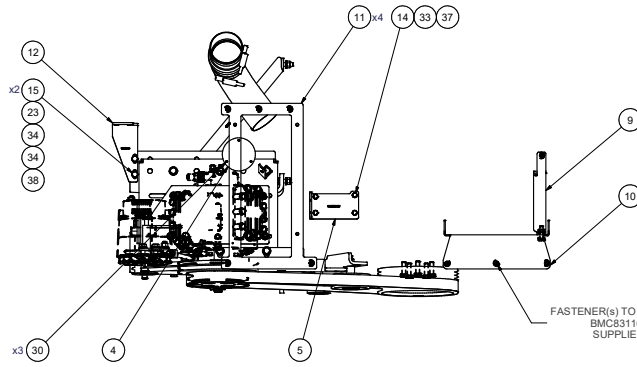
Product Number	Date	Description			Uof M	Weight	Yield		
Line	Qty	Component	Prod#	Rev#	Description	Bin	Unit		
KBZ84064		10/18/2013		0	Bag Kit, Fasteners, KCB84064			2.50	0
10	1	BTP08653			Bolt, Hex, 1/2-13unc, 6.5", 5, Plt, FT		each		
20	3	BTQ08101			Bolt, Hex, 1/2-20unf, 1.00", 8, Plt		each		
30	4	BTQ08150			Bolt, Hex, 1/2-13unc, 1.5", 8, Plt		each		
40	2	BTQ08126			Bolt, Hex, 1/2-20unf, 1.25", 8, Plt		each		
50	1	BTQ08653			Bolt, Hex, 1/2-13unc, 6.5", 8, Plt		each		
60	1	CSF08076			Capscrew, FH, 1/2-20unf x .75", Alloy, Plt		each		
70	7	NTQ08000			Nut, Hex, 1/2-13unc, 8, Plt		each		
80	11	WFQ08000			Washer, Flat, 1/2", 8, Plt		each		
90	13	WLQ08000			Washer, Lock, 1/2", 8, Plt		each		

Bill of Materials Listing

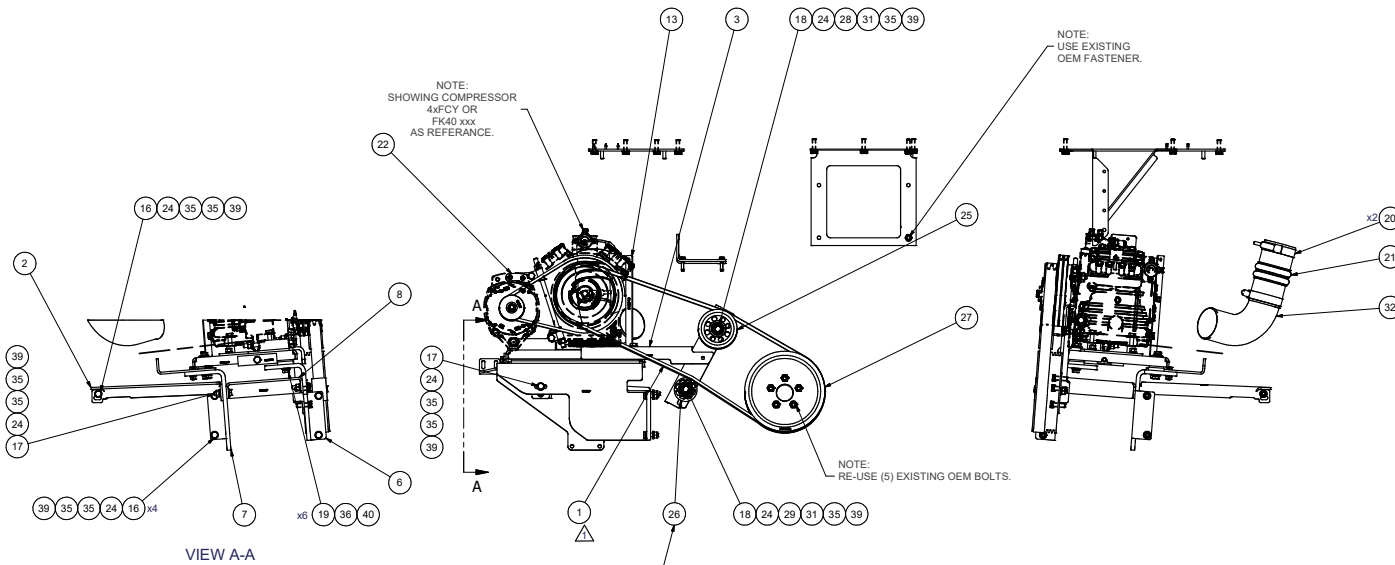
TransArctic Canada Inc.

10/7/2021
Page 1 of 1

Product Number	Date	Description		Uof M	Weight	Yield		
Line	Qty	Component	Prod#	Rev#	Description	Bin	Unit	
KBT84064	2/17/2009	0	Kit, Platform, 4xFCY W/ Alt, '13				18.68	0
10	1	BMN80031		0	Bkt, Main, Slide, Assy, 05K, IC, RE300		each	
20	1	BMC83117		0	Bkt, Weld't, 4xFCY W/ Alt, T3RE, '13		each	
30	4	BTC12060			Bolt, Hex, 12 x 1.75 x 60mm, 10.9,Plt,FT		each	
40	4	NTP07000			Nut, Hex, 7/16-14unc, 5, Plt		each	
50	4	WFA12000			Washer, Flat, 12mm, 8.8, Plt		each	
60	4	WFN07000			Washer, Flat, 7/16", 2, Plt		each	
70	4	WLA12000			Washer, Lock, 12mm, 8.8, Plt		each	
80	4	WLQ07000			Washer, Lock, 7/16", 8, Plt		each	



ISOMETRIC VIEW

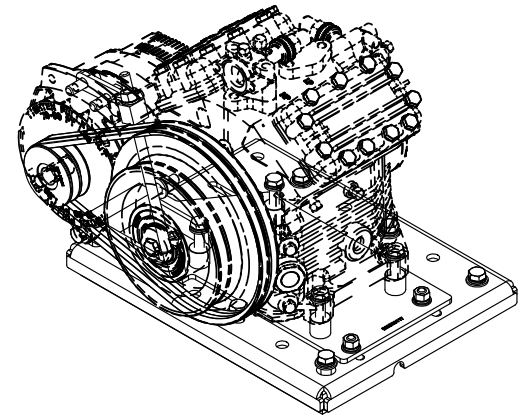
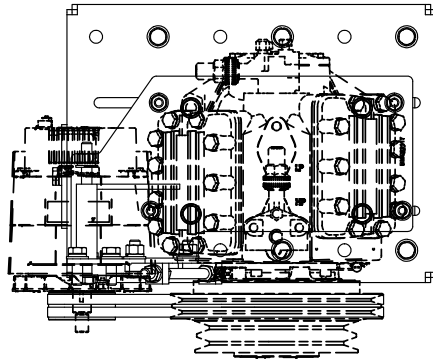
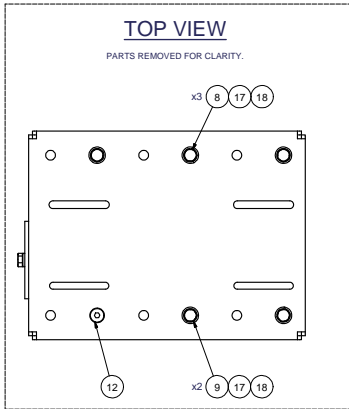


VIEW A-A

40	6	EACH	WLQ08000	WASHER, LOCK, 1/2", 8, PLT
39	9	EACH	WLA12000	WASHER, LOCK, 12mm, 8.8, PLT
38	2	EACH	WLA10000	WASHER, LOCK, 10mm, 8.8, PLT
37	4	EACH	WLA08000	WASHER, LOCK, 8mm, 8.8, PLT
36	6	EACH	WFC08000	WASHER, FLAT, 1/2", 8, PLT
35	16	EACH	WFA12000	WASHER, FLAT, 12mm, 8.8, PLT
34	4	EACH	WFA10000	WASHER, FLAT, 10mm, 8.8, PLT
33	4	EACH	WFA08000	WASHER, FLAT, 8mm, 8.8, PLT
32	1	EACH	TUS04093	TUBE, STL, EXH, 4"o.d., 90 deg ELB, 8 x 8
31	2	EACH	SLV17012	SLEEVE, PULLEY, 16.9o x 22.23 mm x12.19l
30	3	EACH	SCP03075	SCREW, PH, SDT, #10-16 x .75, ST, PLT
29	1	EACH	SCD41012	SPACER, COL, DRL, 41mm x 25.4o x 12.3l
28	1	EACH	SCD37012	SPACER, COL, DRL, 37mm x 25.4o x 12.3l
27	1	EACH	PUL89323	PULLEY, CRANK, ADD-ON, ISL, 29/3V, 13
26	1	EACH	PUL80074	PULLEY, IDLER, BACKSIDE, PB, 740, 46.27W
25	1	EACH	PIJ405012	PULLEY, ASSY, IDLER, B/BX gr, 5" STL, PLT
24	9	EACH	NTA12000	NUT, HEX, 12 x 1.75, 8.8, PLT
23	2	EACH	NTA10000	NUT, HEX, 10 x 1.5, 8.8, PLT
22	1	EACH	KCB4064	KIT, COMPRESSOR, FK40/4xFC, 13
21	1	EACH	HOA04083	HOSE, FLEX, CAC, 4.0d x 8.0, 3 RING
20	2	EACH	CLP04000	CLAMP, T BOLT, SPRING, 4", CAC
19	6	EACH	BTQ08126	BOLT, HEX, 1/2-20UNF x 1.25, 8, PLT
18	2	EACH	BTCT12100	BOLT, HEX, 12 x 1.75 x 100mm, 10.9, PLT
17	2	EACH	BTCT2050	BOLT, HEX, 12 x 1.75 x 50mm, 10.9, PLT
16	5	EACH	BTCT12040	BOLT, HEX, 12 x 1.75 x 40mm, 10.9, PLT
15	2	EACH	BTCT0035	BOLT, HEX, 10 x 1.5 x 35mm, 10.9, PLT
14	4	EACH	BTCT08035	BOLT, HEX, 8 x 1.25 x 35mm, 10.9, PLT
13	1	EACH	BMZ00046	BKT, ANGLE, BRACE, HANGER, HOSE, 2013
12	1	EACH	BMC83122	BKT, EXHAUST, ADAPTER, T3RE, 13
11	1	EACH	BMC83120	BKT, WELDMT, SUP, A.F HOUSING, T3RE, 13
10	1	EACH	BMC83116	BKT, SUPPORT, PDU PANEL, T3RE, 13
9	1	EACH	BMC83113	BKT, BRACE RR/P5, PDU PANEL, T3RE, 13
8	1	EACH	BMC83109	BKT, MAIN, LATERAL BRACE, T3RE, 13
7	1	EACH	BMC83108	BKT, MAIN, RR SUPPORT, T3RE, 13
6	1	EACH	BMC83107	BKT, MAIN, FRT SUPPORT, T3RE, 13
5	1	EACH	BMC83074	BKT, RELAY, ISC, D3RE, 2010
4	1	EACH	BMC83058	BKT, COVER, LIGHT PL, MFDT, RE300
3	1	EACH	BMC83054	BKT, MAIN, IDLER, WELDMT, RE300
2	1	EACH	BMC83053	BKT, DIAG, BRACE RR, MFDT, RE300
1	1	EACH	BEL32210	BELT, BANDED, B GR, 2210mm (87") (BX84-2)

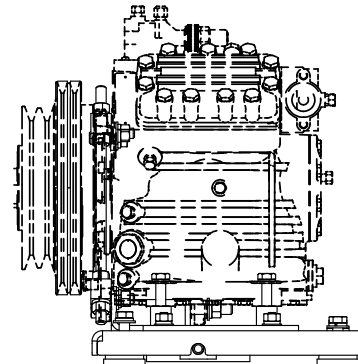
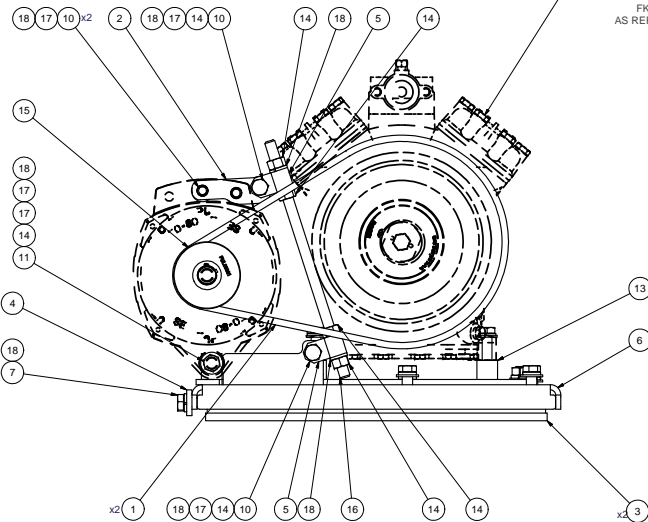
ITEM	QTY	U/M	PART NUMBER	DESCRIPTION
BILL OF MATERIALS				
DRAWN		9/25/2013		TRANSARTIC INC.
rodriguez		CHECKED		
7/9/2013		James Stewart		
0		RELEASED TO PRODUCTION		
REV		DATE		TITLE
1		7/9/2013		MT KIT, ISL13, T3RE, FK40/ 4xFC, 13
2		7/9/2013		APPROVED
3		7/9/2013		Dale Mason
UNSPECIFIED TOLERANCES:		ALL DIMS		DWG NO
ONE DECIMAL PLACE (XX)		.1		KMC94064
TWO DECIMAL PLACE (XXX)		.05		SCALE
THREE DECIMAL PLACE (XXXX)		.02		1:8
FRACTIONAL (1/16")		1/16"		SHEET
		THIRD ANGLE PROJECTION		1 OF 1
		DRAWING UNIT OF MEASURE		MM (INCH)
		SCALE		1:8

NOTES:
 1) USE SERVICABLE THREADLOCKER ON ALL FASTENERS TO ENGINE COMPONENTS AND TORQUE ALL BOLTS TO S.A.E. SPECIFICATIONS.
 2) SEE "TRANSARTIC A/C COMPRESSOR MOUNT INSTALLATION DISCLAIMER".



ISOMETRIC VIEW

NOTE:
SHOWING COMPRESSOR
4xFCY OR
FK40 xxxx
AS REFERENCE.



NOTES:

- 1) USE SERVICABLE THREADLOCKER ON ALL FASTENERS TO ENGINE COMPONENTS AND TORQUE ALL BOLTS TO S.A.E. SPECIFICATIONS.
- 2) SEE "TRANSARGTIC A/C COMPRESSOR MOUNT INSTALLATION DISCLAIMER".
- 3) WEIGHT: 56.70 LBS.

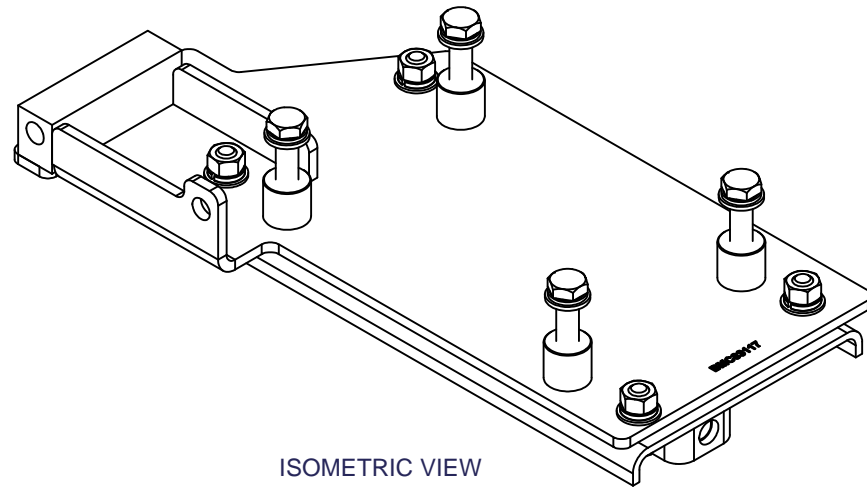
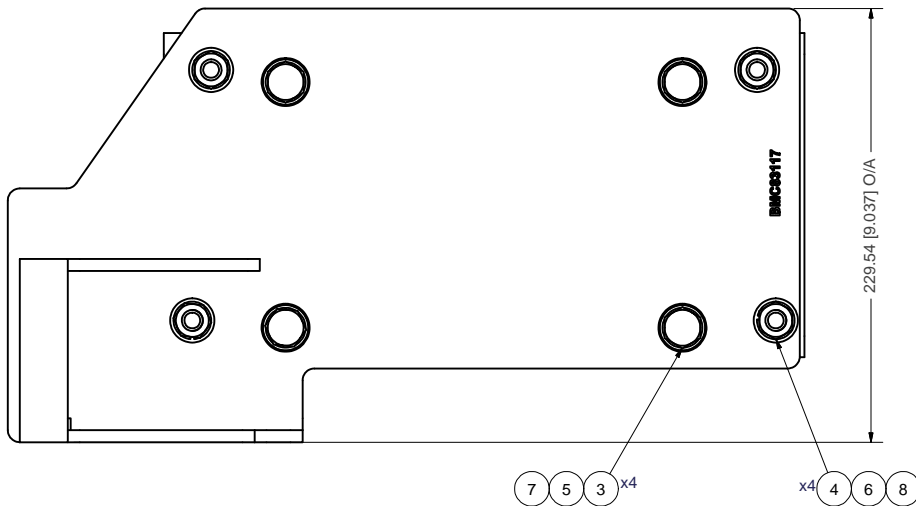
ITEM	QTY	U/M	PART NUMBER	DESCRIPTION
18	13	EACH	WLO08000	WASHER, LOCK, 1/2", 8, PLT
17	11	EACH	WFO08000	WASHER, FLAT, 1/2", 8, PLT
16	1	EACH	TRD08120	THREADED, ROD, 1/2-13UNC x 12", 5 PLT
15	1	EACH	PUL03321	PULLEY, ALT, IDLER, 3.25"o, 2A
14	7	EACH	NT008000	NUT, HEX, 1/2-13UNC, 8, PLT
13	1	EACH	K8T84064	MT KIT, TRANSIT, 4xFCY, '12
12	1	EACH	CSF08076	CAPSCREW, FH, 1/2-20UNF x .75" ALLOY, PLT
11	1	EACH	BT008653	BOLT, HEX, 1/2-13UNC x 6.50, 8, PLT
10	4	EACH	BT008150	BOLT, HEX, 1/2-13UNC x 1.50, 8, PLT
9	2	EACH	BT008126	BOLT, HEX, 1/2-20UNF x 1.25, 8, PLT
8	3	EACH	BT008101	BOLT, HEX, 1/2-20UNF x 1.00, 8, PLT
7	1	EACH	BT008653	BOLT, HEX, 1/2-13UNC x 6.50, 5, PLT, FT
6	1	EACH	BMZ00043	BKT, MAIN, BASE PL, '13
5	2	EACH	BMT10011	BKT, TENR, BLOCK, OFFSET, 3mm
4	1	EACH	BMN80025	BKT, BACK, PL, SLIDE, IC, RE300
3	2	EACH	BMN80008	VIBRATION ISOLATOR, BAR, 16.50 x 2 x 1.50
2	1	EACH	BMCS3114	BKT, PL, ALT, SPACER, T3RE, '13
1	2	EACH	BELT1040	BELT, A, gr, 1040mm (41") (17410)

BILL OF MATERIALS
TRANSARGTIC INC.

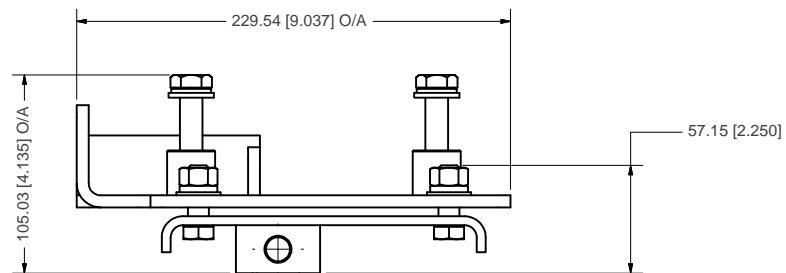
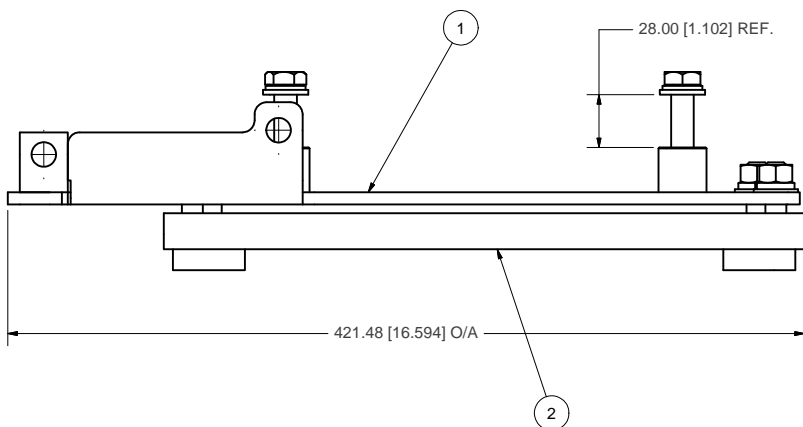
DATE	RELEASED TO PRODUCTION	9/16/2013	BY	JRR
REVISION	DESCRIPTION	DATE	BY	
1		9/16/2013	James Stewart	
2		9/16/2013	Ron Ingram	
3		9/16/2013	Dale Mason	

BROWN	9/16/2013		
PROJENQUEZ	9/16/2013		
CHECKED	9/16/2013		
VAL JAKOWLEW	9/16/2013		
TITLE			
KIT, COMPRESSOR, 24V, FK40/ 4xFC,			
'13			
SIZE	DWG NO	REV	
D	KCB84064	0	
SCALE	1:3	SHEET	1 OF 1

UNSPECIFIED TOLERANCES:	MM (INCH)	THIRD ANGLE PROJECTION
ONE DECIMAL PLACE (X.1)	FRONT	
TWO DECIMAL PLACES (X.00)	TOP	
THREE DECIMAL PLACES (X.000)	RIGHT	
FRACTIONAL (1/16")	LEFT	



ISOMETRIC VIEW



ITEM	QTY	U/M	PART NUMBER	DESCRIPTION
8	4	EACH	WLQ07000	WASHER, LOCK, 7/16", 8, PLT
7	4	EACH	WLA12000	WASHER, LOCK, 12mm, 8.8, PLT
6	4	EACH	WFN07000	WASHER, FLAT, 7/16", 2, PLT
5	4	EACH	WFA12000	WASHER, FLAT, 12mm, 8.8, PLT
4	4	EACH	NTP07000	NUT, HEX, 7/16-14UNC, 5, PLT
3	4	EACH	BTC12060	BOLT, HEX, 12 x 1.75 x 60mm, 10.9, PLT
2	1	EACH	BMN80031	BKT, MAIN, SLIDE, ASSY, 05K, IC, RE300
1	1	EACH	BMC83117	BKT, WELDM'T, 4xFCY W/ALT, T3RE, '13

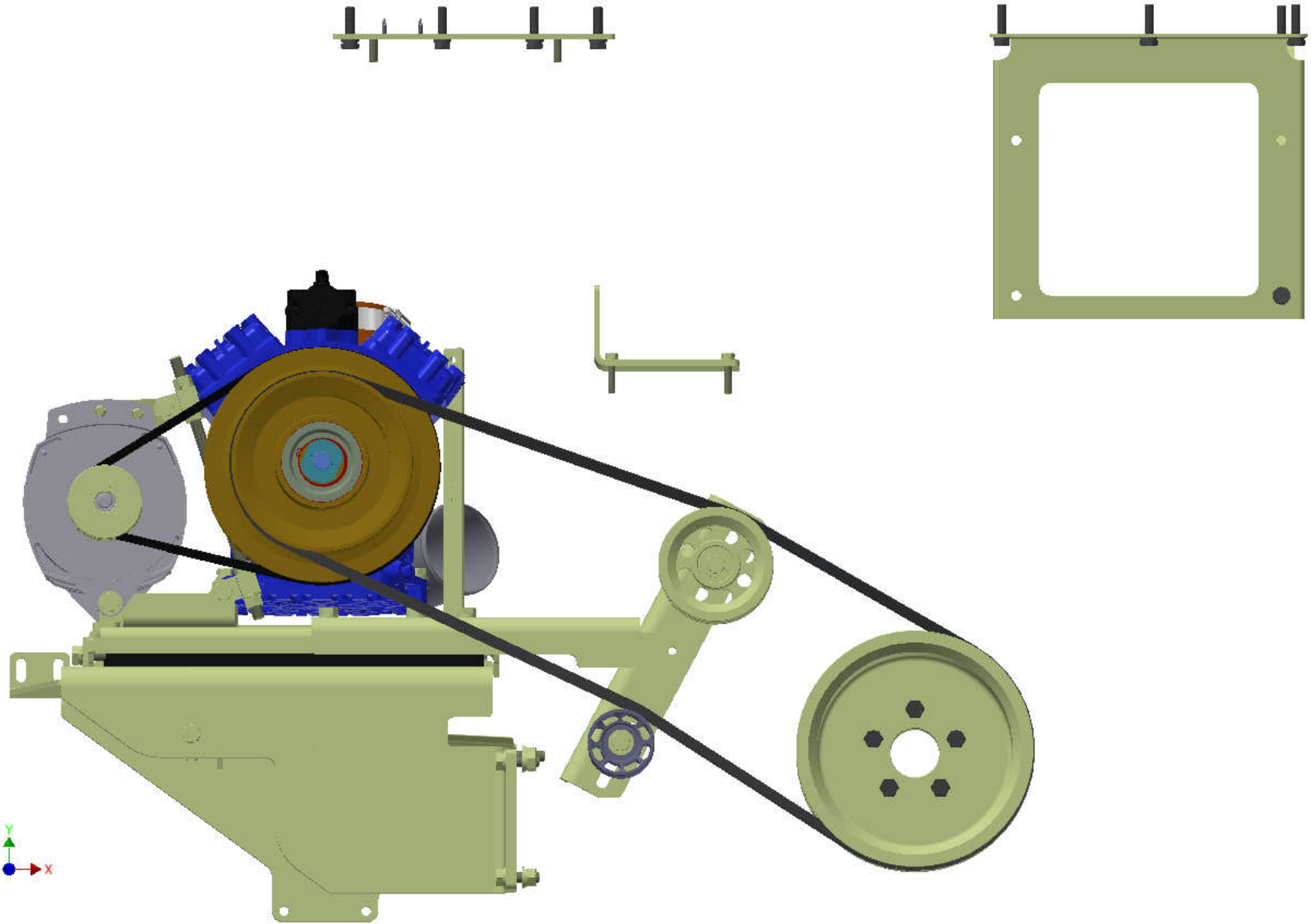
BILL OF MATERIALS

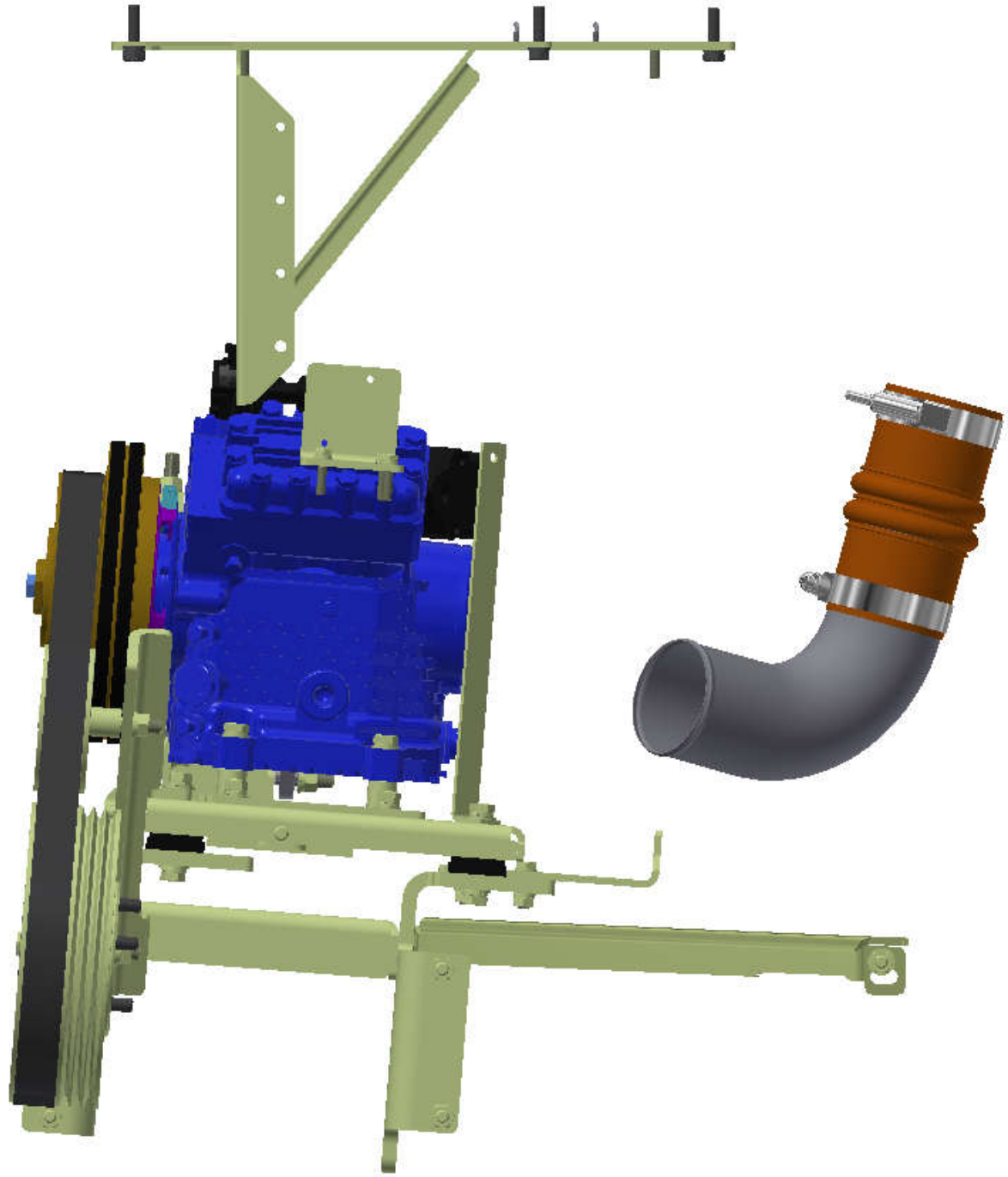
DRAWN	jrodriguez	7/12/2013
CHECKED	Val Jakowlew	7/12/2013
REV	James Stewart	7/12/2013
APPROVED	Ron Ingram	7/12/2013
	Dale Mason	7/12/2013

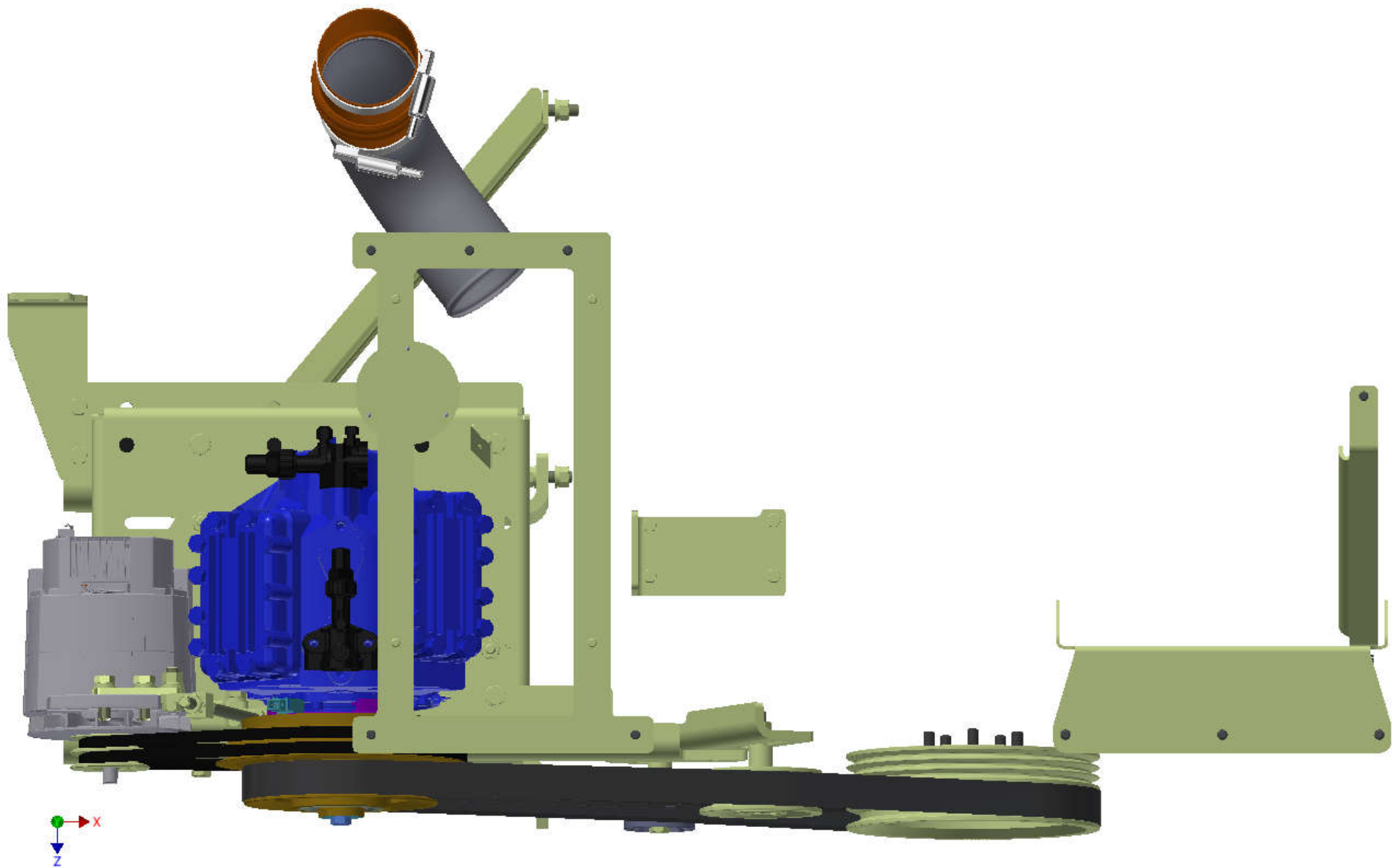
		TITLE	KIT, PLATFORM, 4xFCY W/ALT, '13	
		SIZE	C	DWG NO
SCALE	1:2	SHEET	1	OF 1
DRAWING UNIT OF MEASURE:	MM [INCH]	REV	0	

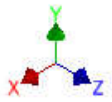
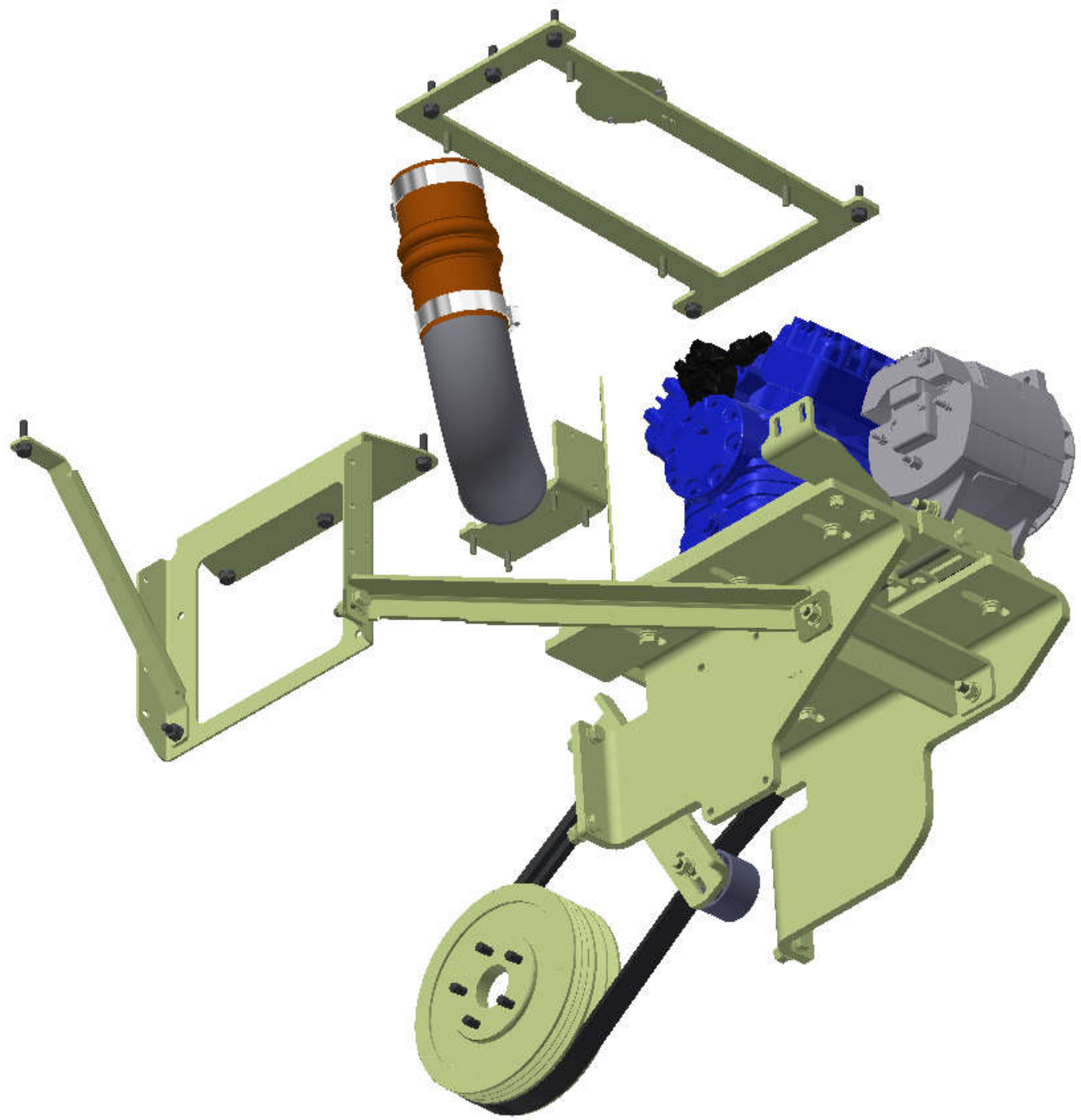
0	RELEASED TO PRODUCTION	7/24/2013	JRR
REV	ECN	DESCRIPTION	DATE
THIS DRAWING CONTAINS PROPRIETARY CONFIDENTIAL INFORMATION OWNED BY TRANSARCTIC CANADA INC. THE DOCUMENT AND THE INFORMATION IN IT ARE NOT TO BE USED, DISCLOSED OR REPRODUCED WITHOUT EXPRESS WRITTEN PERMISSION OF THE COMPANY.			
UNSPECIFIED TOLERANCES: (ALT. DIM.) ONE DECIMAL PLACE (.X) .50 (0.020) TWO DECIMAL PLACE (.XX) .25 (0.010) THREE DECIMAL PLACE (.XXX) .10 (0.005) FRACTIONAL +/- 1/32" ANGULAR +/- .50°			
		THIRD ANGLE PROJECTION	

- NOTES:**
- 1) USE SERVICABLE THREADLOCKER ON ALL FASTENERS TO ENGINE COMPONENTS AND TORQUE **ALL** BOLTS TO S.A.E. SPECIFICATIONS.
 - 2) SEE "TRANSARCTIC A/C COMPRESSOR MOUNT INSTALLATION DISCLAIMER".
 - 3) WEIGHT: 18.22 LBS.









TransArctic A/C Compressor Mount Installation Disclaimer

All compressor mounts should be installed by qualified and trained personnel using proper tools and equipment in safe working conditions following industry standard guidelines for motor vehicle service and repair.

The installer of any compressor mount purchased from TransArctic must undertake all responsibility of issues arising from that compressor bracket being installed on any vehicle. As well as insure that a **proper and sufficient ground** is established between the compressors' clutches and the vehicle's engine. Mount functionality, operation and durability can all be compromised by an incompetent installation.

Due to the many different situations, parameters and application criteria, which are beyond the compressor mount manufacturer's control, TransArctic does not warrant design, durability, or operational functionality of any compressor mount improperly installed by another party.

With no implied guarantees it is the mount installer's strict responsibility to determine safety and functionality, of the compressor mount, at the time of installation.

Please contact TransArctic with any issue arising from installation so we may better improve the product. If you have any reservations about the compressor mount integrity contact TransArctic immediately at 1-877-COLD-AIR.

Mark OEM tensioner location

Install Kit

Check for Interferences

Check to ensure that the proper OEM tensioner orientation is maintained

Run engine with A/C system engaged for at least 10 minutes to run in belt

Check OEM tensioner orientation and adjust as required

Responsabilidad limitada de TransArctic en la instalación del soporte del compresor

Todos los soportes de los compresores deben ser instalados por personas calificadas y entrenadas, usando para ello los equipos y herramientas necesarios para esta labor en buenas condiciones y según las normas y guías para el servicio y/o reparación de motores de vehículos.

El instalador de los soportes comprados en TransArctic asume toda la responsabilidad de cualquier problema que surga en el soporte del compresor al vehículo; de igual manera es responsable que el cable a tierra sea conectado entre el embrague del compresor y el motor del vehículo.

Se advierte que el buen funcionamiento y la durabilidad del soporte pueden ser comprometidos por defectos en su instalación.

Debido a las diversas situaciones que se puedan presentar fuera del control del fabricante, TransArctic no garantiza el diseño, la durabilidad o el correcto funcionamiento de cualquier equipo inapropiadamente instalado por terceros.

Esta sobreentendido que el Instalador del montaje del compresor es estrictamente responsable de la seguridad y funcionamiento del equipo en el momento de la instalación.

Si tuviera algún problema o duda acerca de la instalación del soporte del compresor pongase en contacto inmediatamente con TransArctic al teléfono 1-877-COLD-AIR de modo que podamos mejorar nuestro producto.

Note la ubicación del medidor de tensión OEM

Instale el equipo

Controlar si hay interferencias.

Asegurese que el medidor de tensión mantenga la orientación justa.

Encienda el motor por lo menos 10 minutos con el sistema A/C enganchado para que la correa corra

Controle la orientación justa del medidor de tensión y ajuste a las condiciones requeridas del fabricante