

Bill of Materials Listing

TransArctic Canada Inc.

4/26/2006

Page 1 of 1

Product Number		Description	Bin	Date	Weight	Uof M	Yield
Line	Component Prod#	Description		Unit	Qty		
KMM64191		Mt Kit, 906, HDX ER, O5G, 2B, 8" Crank		5/10/2005	64.93		0
20	BMK70044	Bkt, Angle, Vert, Weldmt, HDX, C7		each	1		
30	BMK70049	Bkt, Angle, HOR, HDX, C7		each	1		
40	PUL90002	Pulley, Crank, MBE906, HDX, 2B, 8" dia		each	1		
50	PUA05000	Pulley, Assy, Idler, B/S, 5", ALUM, Plt		each	1		
60	PUA05002	Pulley, Assy, Idler, AB gr, 5", ALUM,Plt		each	1		
70	PUL80074	Pulley, Idler, Backside, P8, 76d (89102)		each	1		
80	TEN00003	Tenr, Spring, Un-Direct, 90d, 1/2 x 4.5"		each	1		
90	SLV17012	Sleeve, Pulley, 16.9o x 22.23mm x 12.32i		each	3		
100	SCD12912	Spacer, Col, Drl,12.9 mm x 34.9o x 12.3i		each	1		
110	SCD42512	Spacer, Col, Drl,42.5mm x 34.9o x 12.3i		each	1		
120	SCD46012	Spacer, Col, Drl,46mm x 34.9o x 12.3i		each	1		
130	KBM64191	Bag Kit, Fasteners, KMM64191		each	1		

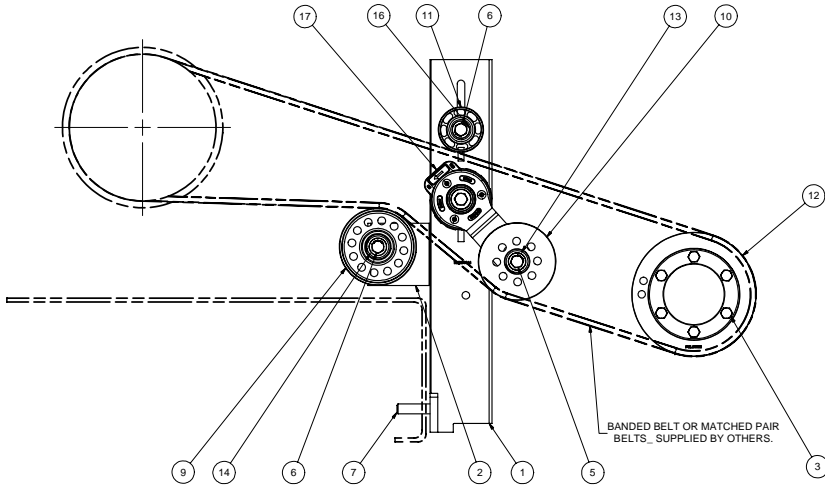
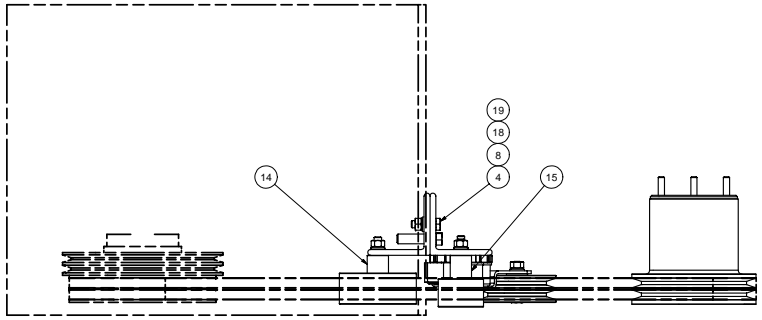
Bill of Materials Listing

TransArctic Canada Inc.

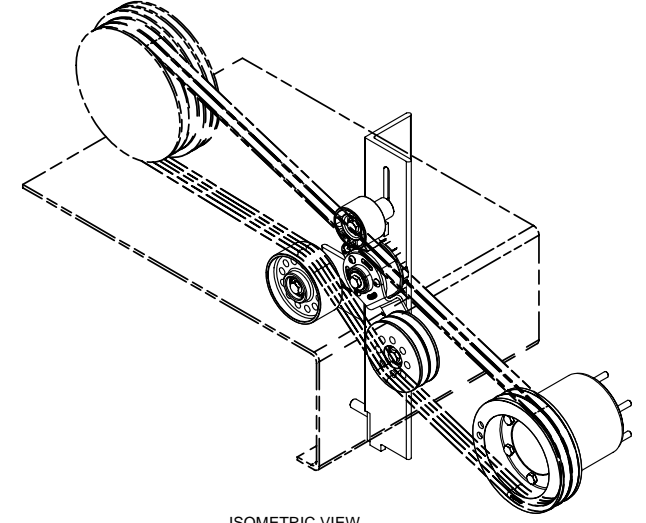
10/12/2005

Page 1 of 1

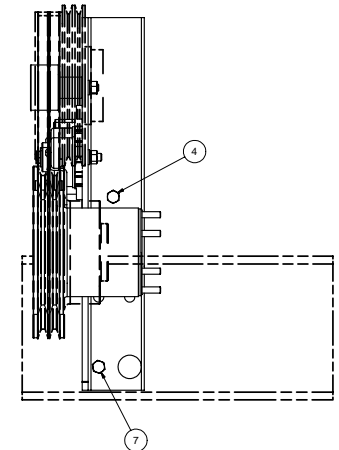
Product Number		Description	Bin	Date	Weight	Uof M	Yield
Line	Component Prod#	Description		Unit	Qty		
KBM64191		Bag Kit, Fasteners, KMM64191		5/12/2005	3.26		0
10	BTA12060	Bolt, Hex, 12 x 1.75 x 60mm, 8.8, Plt		each	1		
20	BTC12100	Bolt, Hex, 12 x 1.75 x 100mm, 10.9, Plt		each	3		
30	BTC12040	Bolt, Hex, 12 x 1.75 x 40mm, 10.9, Plt		each	2		
35	BTC10170	Bolt, Hex, 10 x 1.5 x 170mm, 10.9, Plt		each	6		
40	BTQ10250	Bolt, Hex, 5/8-11unc, 2.5", 8. PLT		each	1		
50	NTA12000	Nut, Hex, 12 x 1.75, 8.8, Plt		each	6		
60	WFA12000	Washer, Flat, 12mm, 8.8, Plt		each	6		
70	WLA12000	Washer, Lock, 12mm, 8.8, Plt		each	6		



BANDED BELT OR MATCHED PAIR BELTS, SUPPLIED BY OTHERS.



ISOMETRIC VIEW



NOTES:
 1) USE SERVICABLE THREADLOCKER ON ALL FASTENERS TO ENGINE COMPONENTS AND TORQUE ALL BOLTS TO S.A.E. SPECIFICATIONS.
 2) SEE "TRANSARCtic A/C COMPRESSOR MOUNT INSTALLATION DISCLAIMER".

ITEM	QTY	UM	PART NUMBER	DESCRIPTION
19	6	EACH	WLA12000	WASHER, LOCK, 12mm, 8.8, PLT
18	6	EACH	WFA12000	WASHER, FLAT, 12mm, 8.8, PLT
17	1	EACH	TENR00003	TENR, SPRING, UN-DIRECT, 90d, 1/2 x 4.5"
16	3	EACH	SLV17012	SLEEVE, PULLEY, 16.90 x 22.23 mm x 12.19i
15	1	EACH	SCD46012	SPACER, COL, DRL, 46mm x 34.90 x 12.3i
14	1	EACH	SCD42512	SPACER, COL, DRL, 42.5mm x 34.90 x 12.3i
13	1	EACH	SCD12912	SPACER, COL, DRL, 12.9 mm x 34.90 x 12.3i
12	1	EACH	PUL90002	PULLEY, CRANK, MBE906, HDX, 2B, 8" DIA
11	1	EACH	PUL80074	PULLEY, IDLER, BACKSIDE, P8, 74D, 46.27W
10	1	EACH	PLA05002	PULLEY, ASSY, IDLER, AB, gr, 5" ALUM, PLT
9	1	EACH	PLA05000	PULLEY, ASSY, IDLER, B/S, 5", ALUM, PLT
8	6	EACH	NTA12000	NUT, HEX, 12 x 1.75, 8.8, PLT
7	1	EACH	BTQ10250	BOLT, HEX, 5/8-11UNC, 2.50", 8, PLT
6	3	EACH	BTC12100	BOLT, HEX, 12 x 1.75 x 100mm, 10.9, PLT
5	1	EACH	BTC12060	BOLT, HEX, 12 x 1.75 x 60mm, 10.9, PLT
4	2	EACH	BTC12040	BOLT, HEX, 12 x 1.75 x 40mm, 10.9, PLT
3	6	EACH	BTC10170	BOLT, HEX, 10 x 1.5 x 170mm, 10.9, PLT
2	1	EACH	BMK70049	BKT, ANGLE, HOR, HDX, C7
1	1	EACH	BMK70044	BKT, ANGLE, VERT, WELDMT, HDX, C7

DRAWN		5/10/2005		TRANSARCtic INC.																					
CHECKED		Ron Ingram																							
RELEASED TO PRODUCTION		10/7/2005		TITLE																					
REV	ECN	DESCRIPTION	DATE	BY																					
1		ITEMS 9 & 10 WERE PUL	8/1/2006	VALJ																					
0			10/7/2005	GA																					
APPROVED		10/7/2005		DATE																					
DATE		10/7/2005		BY																					
DATE		10/7/2005		BY																					
<p>THIS DRAWING CONTAINS PROPRIETARY CONFIDENTIAL INFORMATION OWNED BY TRANSARCtic CANADA INC. THE DOCUMENT AND THE INFORMATION IN IT ARE NOT TO BE USED, DISCLOSED OR REPRODUCED WITHOUT EXPRESS WRITTEN PERMISSION OF THE COMPANY.</p>																									
<p>UNSPECIFIED TOLERANCES:</p> <table border="0"> <tr> <td>ONE DECIMAL PLACE (X.0)</td> <td>±.05</td> <td>MM</td> <td>±.001</td> <td>INCH</td> </tr> <tr> <td>TWO DECIMAL PLACE (X.00)</td> <td>±.01</td> <td>MM</td> <td>±.0005</td> <td>INCH</td> </tr> <tr> <td>THREE DECIMAL PLACE (X.000)</td> <td>±.005</td> <td>MM</td> <td>±.0002</td> <td>INCH</td> </tr> <tr> <td>FRACTIONAL (1/16)</td> <td>±.005</td> <td>ANGULAR</td> <td>±.01</td> <td></td> </tr> </table>						ONE DECIMAL PLACE (X.0)	±.05	MM	±.001	INCH	TWO DECIMAL PLACE (X.00)	±.01	MM	±.0005	INCH	THREE DECIMAL PLACE (X.000)	±.005	MM	±.0002	INCH	FRACTIONAL (1/16)	±.005	ANGULAR	±.01	
ONE DECIMAL PLACE (X.0)	±.05	MM	±.001	INCH																					
TWO DECIMAL PLACE (X.00)	±.01	MM	±.0005	INCH																					
THREE DECIMAL PLACE (X.000)	±.005	MM	±.0002	INCH																					
FRACTIONAL (1/16)	±.005	ANGULAR	±.01																						
DRAWING UNIT OF MEASURE		MM [INCH]		SCALE																					
DRAWING UNIT OF MEASURE		MM [INCH]		SCALE 1:1																					
				REV 1																					
				SHEET 1 OF 1																					

TransArctic A/C Compressor Mount Installation Disclaimer

All compressor mounts should be installed by qualified and trained personnel using proper tools and equipment in safe working conditions following industry standard guidelines for motor vehicle service and repair.

The installer of any compressor mount purchased from TransArctic must undertake all responsibility of issues arising from that compressor bracket being installed on any vehicle. Mount functionality, operation and durability can all be compromised by an incompetent installation.

Due to the many different situations, parameters and application criteria, which are beyond the compressor mount manufacturer's control, TransArctic does not warrant design, durability, or operational functionality of any compressor mount improperly installed by another party.

With no implied guarantees it is the mount installer's strict responsibility to determine safety and functionality, of the compressor mount, at the time of installation.

Please contact TransArctic with any issue arising from installation so we may better improve the product. If you have any reservations about the compressor mount integrity contact TransArctic immediately at 1-877-COLD-AIR.